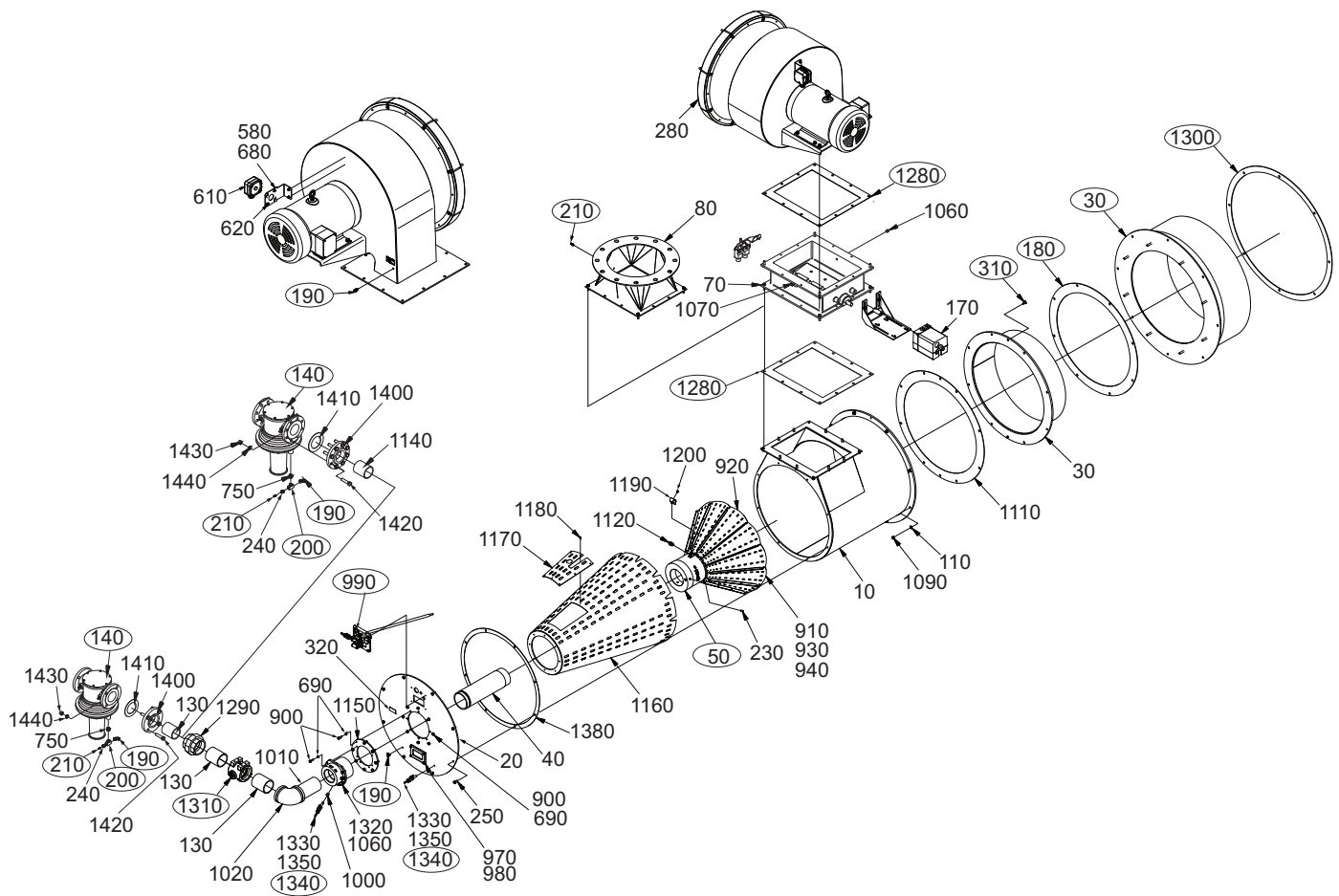


Eclipse RatioMatic Burners

Model RM2500

Spare Parts List Edition 08.15

Version 6



Ref	Part Number	Description
30	10054160	Round Refractory Combustor
30	10054225	Alloy Combustor
50	3933-1	Nozzle, Natural Gas
140	KS85093320	Ratio Regulator (3" ANSI)
140	KS85093220	Ratio Regulator (80DN)
150	150000-12	Igniter (734mm)
180	18657	Burner to Furnace Wall Mounting Gasket
190	1494	Elbow Fitting for Braided Stainless Steel Impulse Line and Air Switch Line

Ref	Part Number	Description
190	22085	Elbow Fitting for Stainless Steel Tubing Impulse Line
190	22210	Straight Fitting for Stainless Steel Tubing Impulse Line
200	20682	Tee Fitting Impulse Line (Brass)
210	13445	Pressure Tap
310	19108	Combustor Guide Screw
490	10055264	Actuator Coupling, Trilogy, Siemens
490	11804	Actuator Coupling, Honeywell

(Continued to next page)

Ref	Part Number	Description
710	015991-18	Braided Stainless Steel Impulse Line (760mm)
710	30027	Stainless Steel Tubing Impulse Line
710	34505	Plastic Impulse Line
720	015991-18	Braided Stainless Steel Air Switch Line (760mm)
720	34505	Plastic Air Pressure Switch Line
730	10000397	Stainless Steel Tubing Pre-Mix Line
730	37140	Copper Tubing Pre-Mix Line
1260	12828	Sight Glass
1280	18218	Air Inlet to Burner Gasket
1300	10957	Burner to Furnace Wall Mounting Gasket
1310	501221	Gas Adjusting Butterfly
1340	12659	Pilot Cock
N/S	10411	Filter Element (Square, 88" x 10" x 1")
N/S	15608	Filter Element (Round, 27" Diameter)
N/S	10061994	Kit, Mounting, Actuator Size 9 SQM5
N/S	10061987	Kit, Mounting, Actuator Size 9 Honeywell