

**K**

# AIR HEATERS

**C****U****A**

## APPLICATIONS

- Drying • Preheating
- Pulps • Papers
- Calcining • Chemicals
- Textiles • Milling
- Distilling • Plasterboard
- Food Products
- Pigments • Catalysts
- Oxides • and More

**H**

# HAUCK AIR HEATERS



Direct Fired Air Heaters are used in a variety of industries such as paper, mineral, and chemical processing as a way to efficiently heat a wide variety of products. Direct fired air heaters can be designed to operate in a temperature range of 150°F to 2000°F.

Air heaters can fire natural gas, oil or propane. Combustion volumes and flame intensities are carefully designed for required duty.

Hauck's modern expanded facilities mean virtually any size air heater can be built, with typical sizes falling into a range of 1-million to 70-million Btu per hour and 1000 cfm to 300,000 cfm of air to be heated.

Hauck air heaters can be insulated with a variety of materials such as ceramic fiber modules or blankets or insulating castable lining. A double shell design is available in which the ambient air entering the air heater passes between the inner and outer shells, eliminating the need for refractory lining.

The outer shell can be designed to run at a temperature of 120°F. Discharge flanges can be designed to match a specific duct connection.

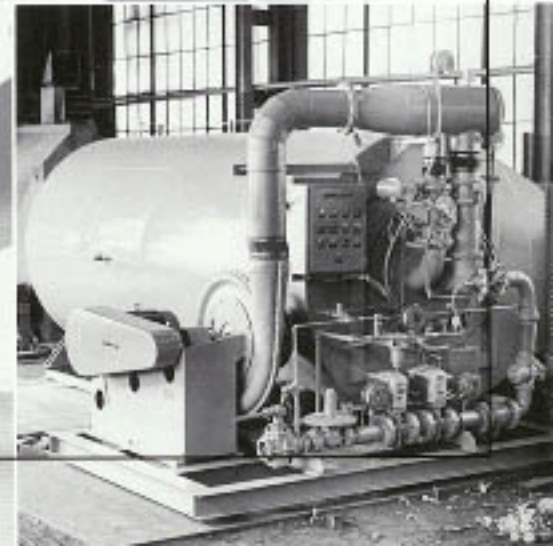
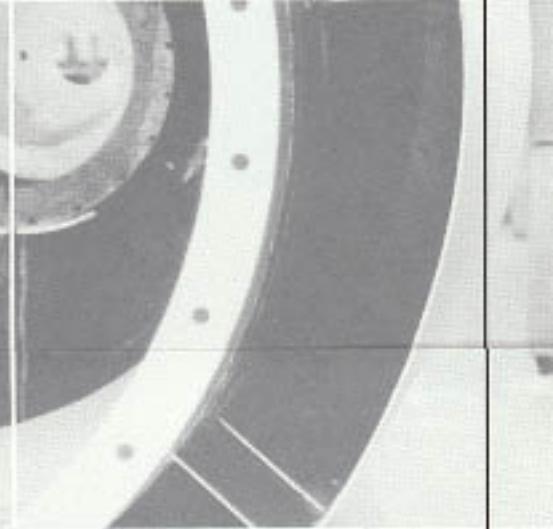
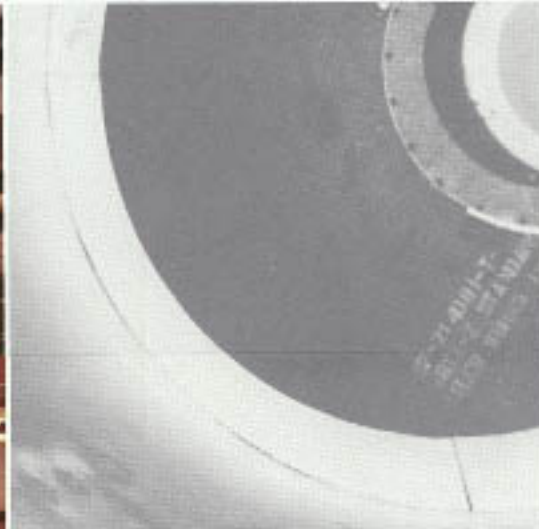
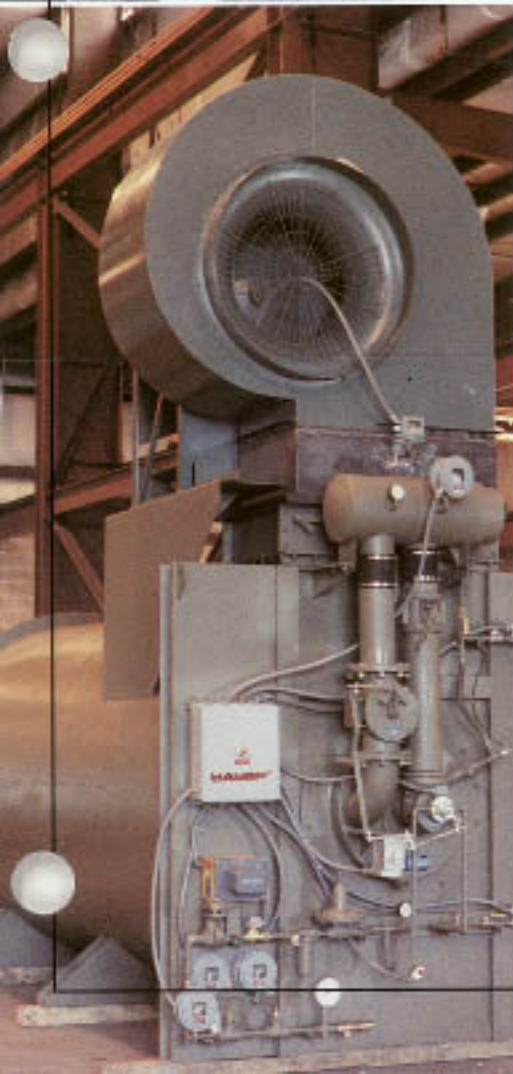
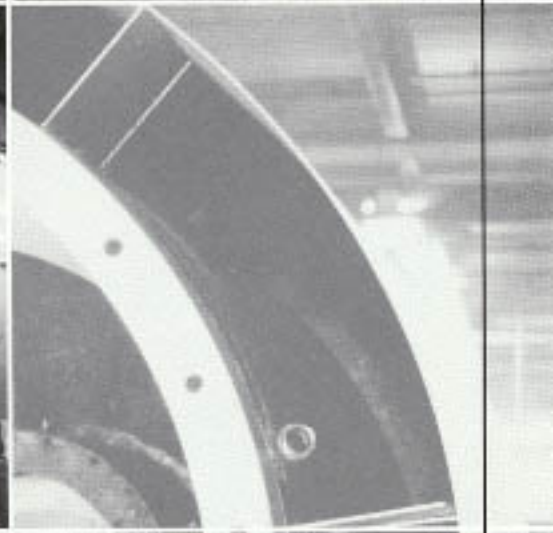
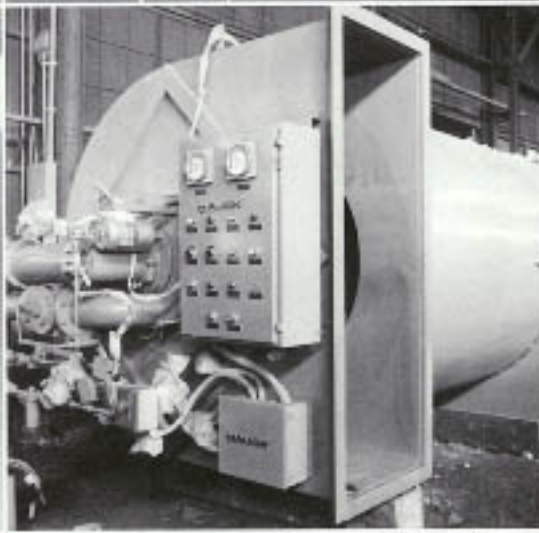
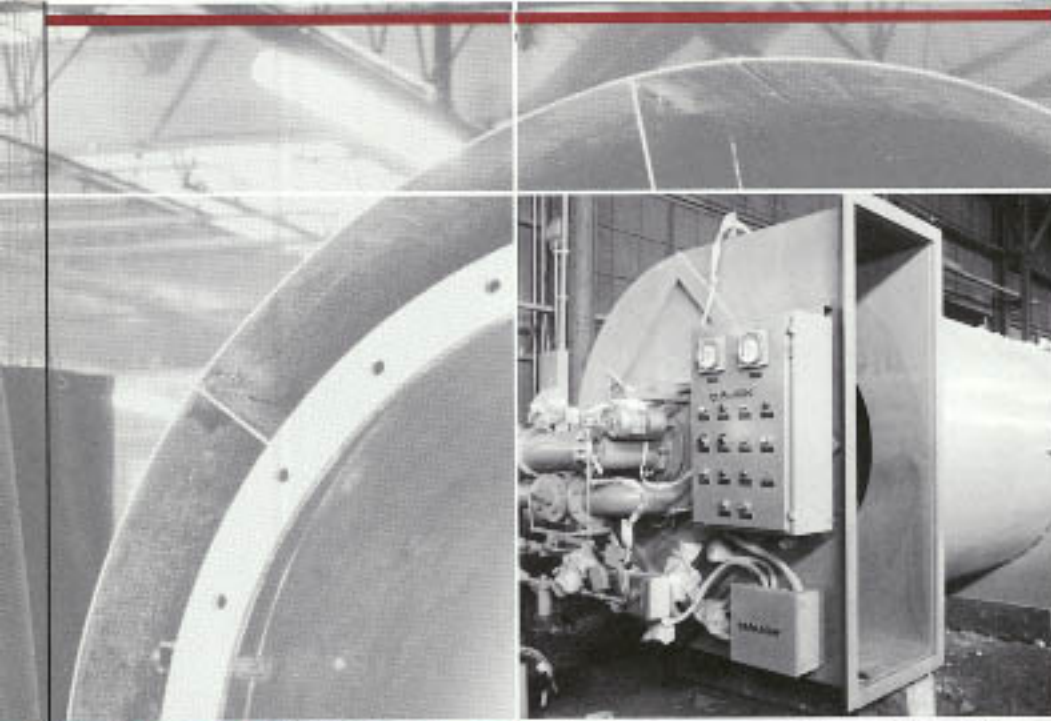
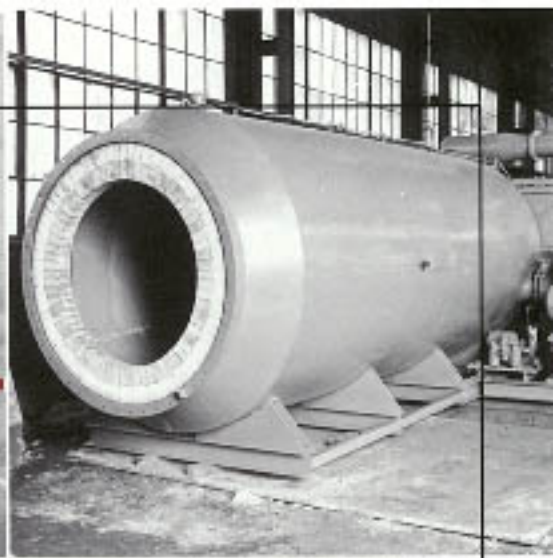
Prepackaged design means all the components for proper control are mounted on the air heater and skid. This includes such items as

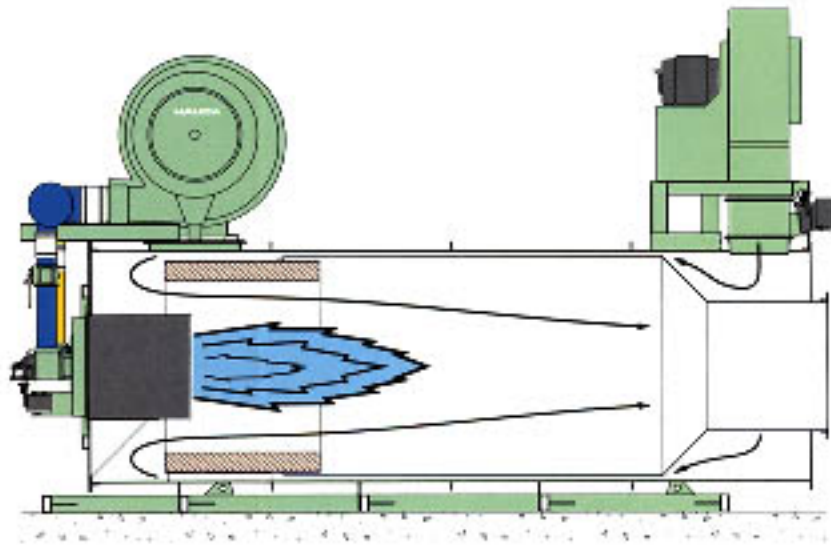
combustion air and process air fans, temperature control, flame supervision, fuel and air pressure switches, and control and shutoff valves.

Hauck air heaters can be designed to operate under negative (pull-through) or positive (push-through) pressures to accommodate process conditions. Typical design is a process air pressure drop in the range of 1" to 2" wc.

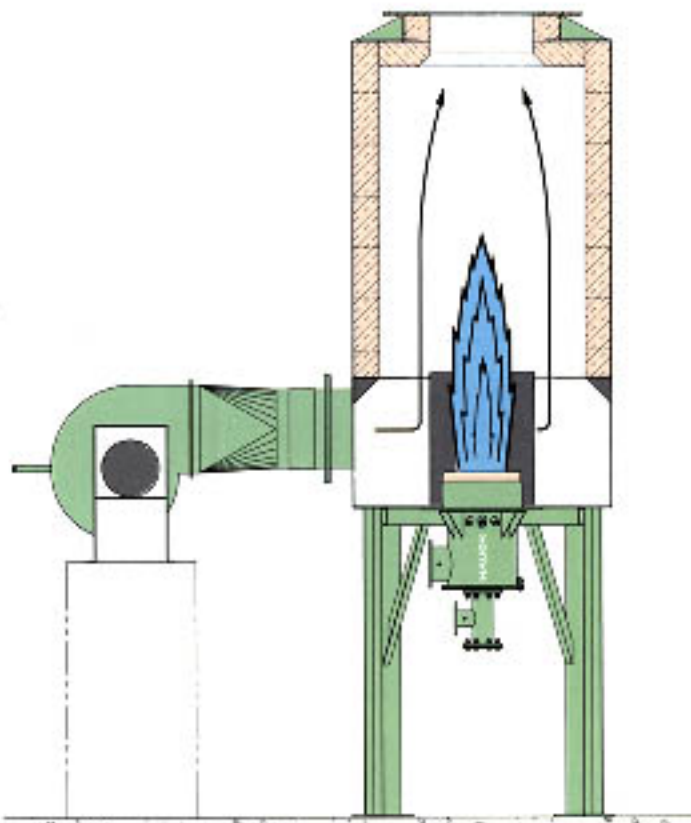
Hauck air heaters have earned a reputation for long life and trouble-free operation over many years, the result of the skill and dedication in designing and building all types of prepackaged air heaters with perfectly matched Hauck combustion systems.

# DESIGNING AND SUPPLYING AIR HEATERS TO INDUSTRIES WORLDWIDE

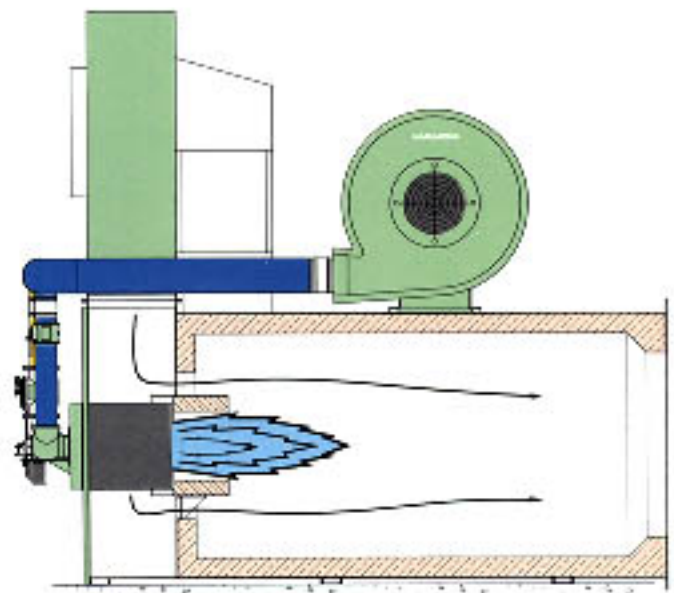




AIR HEATER PACKAGE WITH DOUBLE SHELL



VERTICAL AIR HEATER PACKAGE



AIR HEATER PACKAGE WITH CERAMIC FIBER LINING



**HAUCK MANUFACTURING COMPANY**

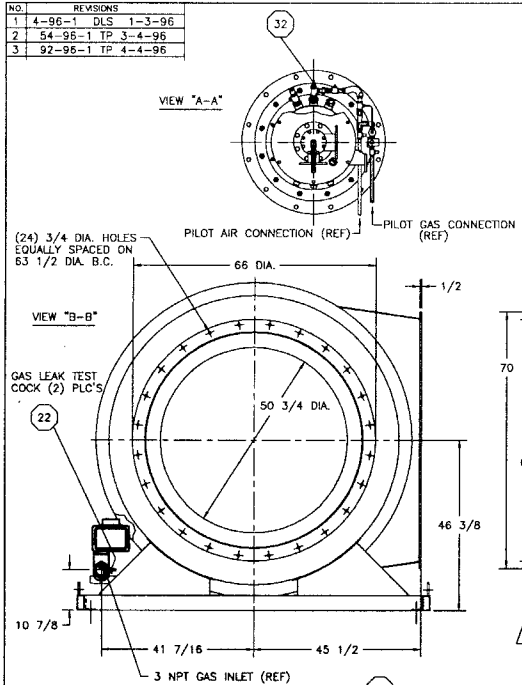
P.O. BOX 90, Lebanon, PA 17042 717-272-3051

Fax: 717-273-9882

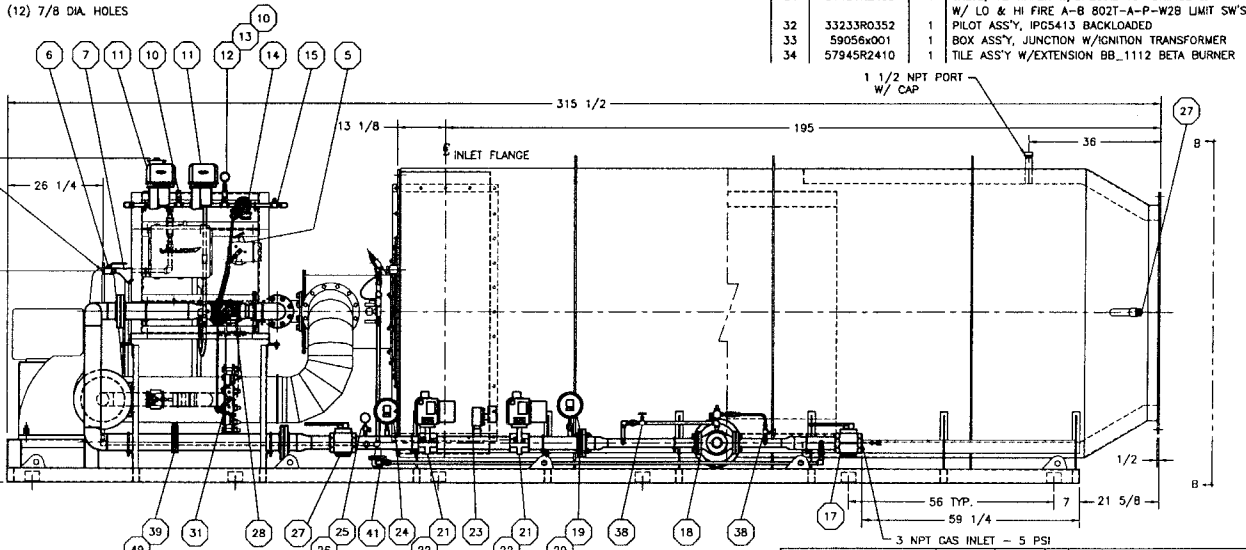
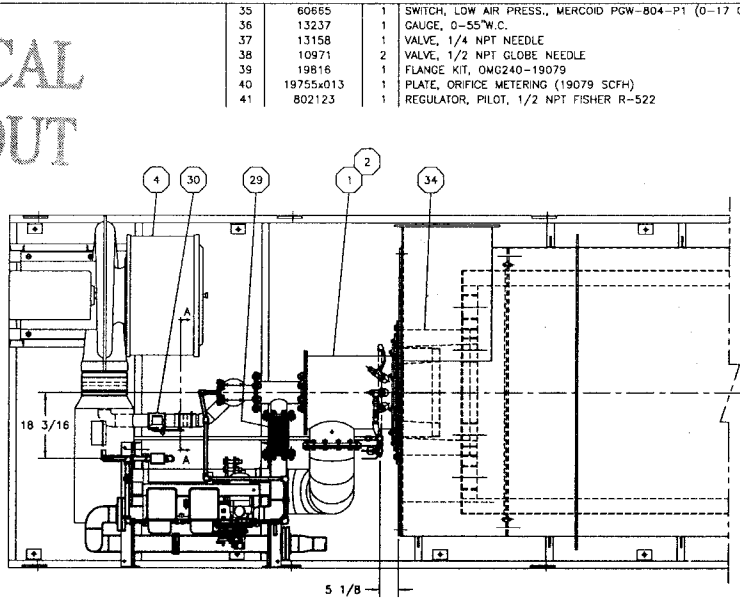
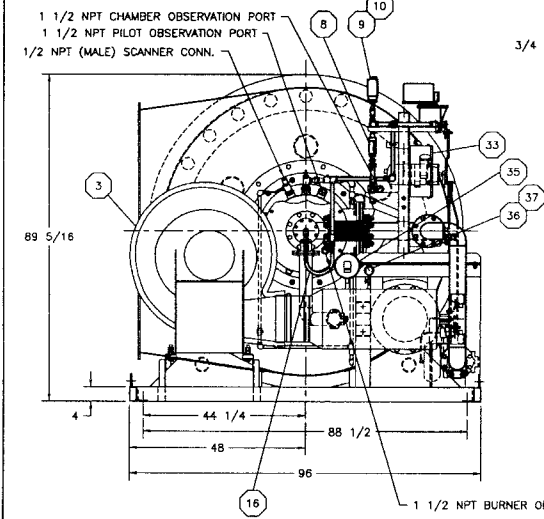
In Canada: Thermix, Inc. Phone: 514-695-0681 Fax: 514-695-1513 (Montreal)

Phone: 519-753-7608 Fax: 519-756-1043 (Brantford)

REVISIONS	
1	4-96-1 DLS 1-3-96
2	54-96-1 TP 3-4-96
3	92-96-1 TP 4-4-96




# TYPICAL LAYOUT



35	60655	1	SWITCH, LOW AIR PRESS., MERCOID PGW-804-P1 (0-17 OSI)
36	13237	1	GAUGE, 0-55"W.C.
37	13158	1	VALVE, 1/4 NPT NEEDLE
38	10971	2	VALVE, 1/2 NPT GLOBE NEEDLE
39	19816	1	FLANGE KIT, OMG240-19079
40	19755X013	1	PLATE, ORIFICE METERING (19079 SCFH)
41	802123	1	REGULATOR, PILOT, 1/2 NPT FISHER R-522

ITEM NO.	PART NO.	QTY	DESCRIPTION
1	57934	1	BURNER ASSY, COMBINATION BETA BBG/L1112C
2	54088X001	1	INSERT ASSY, LIQUID PROPANE
3	18586X040	1	BLOWER ASSY, TURBO AIR TBA16-25-11-T
4	36043	1	FILTER ASSY, BLOWER INLET FBI-1014
5	61519	1	MOTOR, CONTROL BECK 31M50 02-01
6	41607	1	VALVE, BALL DA10-40-300A 3/4 NPT
7	20607	1	STRAINER, PIPE SARCO TYPE CT 3/4 NPT
8	43103X001	1	GAUGE, FLOW HEDLAND 601-005 0.5-5 GPM
9	61199	1	SWITCH, LP PRESS, MERCOID 100SW-82-F 200 PSI
10	46856	3	VALVE, HYDROSTATIC RELIEF FISHER H144 1/2 NPT
11	60653	2	VALVE, MAXON 8760 W/DPTD SWITCHES 1/2 NPT
12	37353	1	GAUGE, LIQUID FILED 0-400 PSI
13	37354	1	SNUBBER, PRESS. GAUGE ASHCROFT 1/4-1112BX
14	16937R2407	1	VALVE, LP METERING H-1/2-20 W/ A-B 802T-A-P-W2B LOW FIRE LIMIT SWITCH
15	41694	1	VALVE, BALL DA10-40-299A 1/2 NPT
16	45754	1	HOSE, STSTL 1/2 NPT x 24 LG
17	801386	2	COCK, LUBRICATED PLUG, MILLIKEN 170M 3 NPT
18	61443	1	REGULATOR, 1098-EGR 2" FLG'D, W/TYPE 6352 PILOT (YELLOW SPRING 14A9672X012) SIZE 40 ACTUATOR, 2"W.C.-2 PSIG RANGE
19	61198	1	SWITCH, LOW GAS PRESS. MERCOID DAW33-804-1
20	44787	1	SNUBBER, PRESS. SWITCH ASHCROFT 1/2-1112BX
21	20621	2	VALVE, MAXON 5000 W/DPTD SWITCHES 3 NPT
22	38976	2	COCK, MALE-FEMALE 1/8 NPT
23	43952	1	VALVE, VENT B215C63 N.O. 1 1/4 NPT
24	61198	1	SWITCH, HIGH GAS PRESS. MERCOID DAW33-804-1 1/8-15 PSIG
25	12528	1	GAUGE, 0-15 PSIG
26	15796	1	COCK, MALE-FEMALE 1/4 NPT
27	61177	1	SITE, HI TEMP PEEP, 1 1/2 NPT TATE-JONES
28	17975R2408	1	VALVE, PVS2A30 PORT W/ A-B 802T-A-P-W2B LOW FIRE LIMIT SWITCH
29	44659	1	NIPPLE, 4 ANSI FLEXIBLE PIPE FPN440C
30	44365	1	VALVE, MANUAL BUTTERFLY BVA1308 3 NPT
31	61431R2409	1	VALVE, 12 WAFER W/SPECIAL 10" ORIFICE & W/ LO & HI FIRE A-B 802T-A-P-W2B LIMIT SW'S
32	33233R0352	1	PILOT ASSY, IPO5413 BACKLAPPED
33	59056X001	1	BOX ASSY, JUNCTION W/IGNITION TRANSFORMER
34	57945R2410	1	TILE ASSY W/EXTENSION BB_1112 BETA BURNER

DATE:	PROCESS CODE:	DRAWN:	CHECKED:
FILE:	DIMENSIONS, AIR HEATER PKG SKID MOUNTED W/FUEL RACK, BBG/L1112 BETA BURNER (AHP x T6873)	SCALE:	PROJECT:
		 LEBANON, PA.	
DATE:	DATE:	DATE:	DATE:
BY:	BY:	BY:	BY:
BY:	BY:	BY:	BY:
BY:	BY:	BY:	BY:

# AIR HEATER APPLICATION SHEET

**APPLICATION:**

Clay Grinding

**SALES DRAWING NUMBER (S):**

CY5712

**AIR HEATER TYPE:**

Pull Thru

**FUEL (S):**

Liquid Propane / Natural Gas

**ELEVATION:**

S.L.

**INLET/OUTLET TEMPERATURE:**

Ambient / 900°F

**GROSS BTU INPUT:**

20 x 10<sup>6</sup>

**BACKPRESSURE:**

None 2 lwc Suction

**OUTLET FLOW RATE/TEMP:**

41,846 ACFM @ 900°F

**COMBUSTION AIR BLOWER:**

TBA 16-25-11-T

**BURNER MODEL NUMBER:**

BBG/L 1112 Beta Burner

**SECONDARY AIR FAN PART NUMBER & DESCRIPTION:**

Supplied By Customer

**CHAMBER ASSEMBLY SIZE / MFG. DRAWING NUMBER:**

207-1/2 x 78-7/8 / 70620

**CHAMBER INSULATION:**

Stack Bond Cera Blanket

**PANEL ASSEMBLY SPEC. NUMBER:**

T6882

**PANEL ASSEMBLY DRAWINGS:**

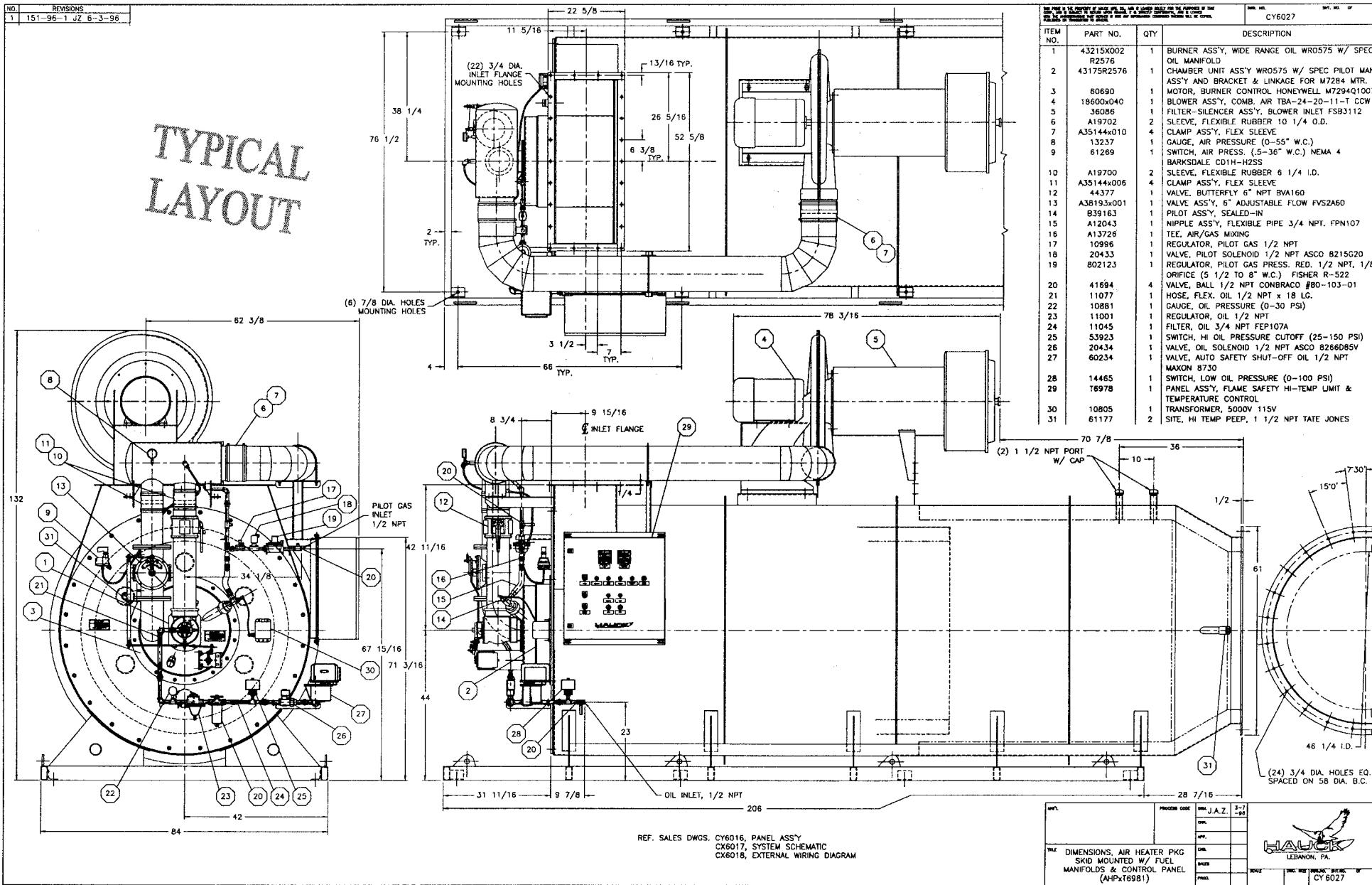
CY5743 - CY5744 - CX5745

**COMMENTS:**

Burner Rated for 19.8 x 10<sup>6</sup> Btu @ 8 psi Air Pressure  
1098 Fisher Regulator has Yellow Spring (2lwc to 2PSI)  
Reduced Port Wafer Valve 12" External 10" Internal  
Junction Box Wired Per Drawing CX5745

NO.	REVISIONS
1	151-96-1 JZ 6-3-96

TYPICAL  
LAYOUT



ITEM NO.	PART NO.	QTY	DESCRIPTION
1	43215X002 R2576	1	BURNER ASSY, WIDE RANGE OIL WR0575 W/ SPEC. OIL MANIFOLD
2	43175R2576	1	CHAMBER UNIT ASSY WR0575 W/ SPEC PILOT MAN ASSY AND BRACKET & LINKAGE FOR M7284 MTR.
3	80690	1	MOTOR, BURNER CONTROL HONEYWELL M7294Q1007
4	18600040	1	BLOWER ASSY, COMB. AIR TBA-24-20-11-T. COW
5	36086	1	FILTER-SILENCER ASSY, BLOWER INLET FS83112
6	A19702	2	SLEEVE, FLEXIBLE RUBBER 10 1/4 O.D.
7	A35144x010	4	CLAMP ASSY, FLEX SLEEVE
8	13237	1	GAUGE, AIR PRESSURE (0-55" W.C.)
9	61269	1	SWITCH, AIR PRESS. (.5-36" W.C.) NEMA 4 BARKSDALE CD1H-H2SS
10	A19700	2	SLEEVE, FLEXIBLE RUBBER 6 1/4 I.D.
11	A35144x006	4	CLAMP ASSY, FLEX SLEEVE
12	44377	1	VALVE, BUTTERFLY 8" NPT BVA160
13	A38193x001	1	VALVE ASSY, 8" ADJUSTABLE FLOW FVS2A60
14	839163	1	PILOT ASSY, SEALED-IN
15	A12043	1	NIPPLE ASSY, FLEXIBLE PIPE 3/4 NPT. FPN107
16	A13726	1	TEE, AIR/GAS MIXING
17	10986	1	REGULATOR, PILOT GAS 1/2 NPT
18	20433	1	VALVE, PILOT SOLENOID 1/2 NPT ASCO 8215G20
19	802123	1	REGULATOR, PILOT GAS PRESS. RED. 1/2 NPT, 1/8 ORIFICE (5 1/2 TO 8" W.C.) FISHER R-522
20	41694	4	VALVE, BALL 1/2 NPT CONBRACO #80-103-01
21	11077	1	HOSE, FLEX. OIL 1/2 NPT x 18 LG.
22	10881	1	GAUGE, OIL PRESSURE (0-30 PSI)
23	11001	1	REGULATOR, OIL 1/2 NPT
24	11045	1	FILTER, OIL 3/4 NPT FEP107A
25	53923	1	SWITCH, HI OIL PRESSURE CUTOFF (25-150 PSI)
26	20434	1	VALVE, OIL SOLENOID 1/2 NPT ASCO 8266D85V
27	60234	1	VALVE, AUTO SAFETY SHUT-OFF OIL 1/2 NPT MAXON 8730
28	14465	1	SWITCH, LOW OIL PRESSURE (0-100 PSI)
29	76978	1	PANEL ASSY, FLAME SAFETY HI-TEMP LIMIT & TEMPERATURE CONTROL
30	10805	1	TRANSFORMER, 5000V 115V
31	61177	2	SITE, HI TEMP PEEP, 1 1/2 NPT TATE JONES

REF. SALES DWGS. CY6016, PANEL ASSY  
CX6017, SYSTEM SCHEMATIC  
CX6018, EXTERNAL WIRING DIAGRAM

DATE	REV.	BY	CHK.	APP.
DIMENSIONS, AIR HEATER PKG SKID MOUNTED W/ FUEL MANIFOLDS & CONTROL PANEL (AHPx16981)				
DATE	REV.	BY	CHK.	APP.



# AIR HEATER APPLICATION SHEET

**APPLICATION:**

Dry Colmanite (Calcium Borate)

**SALES DRAWING NUMBER (S):**

CY6027

**AIR HEATER TYPE:**

Pull Thru

**FUEL (S):**

#2 Oil

**ELEVATION:**

Not Available

**INLET/OUTLET TEMPERATURE:**

70°F / 850°F

**GROSS BTU INPUT:**

18,500,000 Btu/Hr.

**BACKPRESSURE:**

Not Available

**OUTLET FLOW RATE/TEMP:**

35,000 ACFM / 850°F

**COMBUSTION AIR BLOWER:**

TBA 24-20-11-T

**BURNER MODEL NUMBER:**

WRO 575

**SECONDARY AIR FAN PART NUMBER & DESCRIPTION:**

Not Available

**CHAMBER ASSEMBLY SIZE / MFG. DRAWING NUMBER:**

43175

**CHAMBER INSULATION:**

Stack Bond Cera Blanket

**PANEL ASSEMBLY SPEC. NUMBER:**

T6978

**PANEL ASSEMBLY DRAWINGS:**

CY6016 - CX6018 - CX6017 (2 Sheets)

**COMMENTS:**

Panel Mounted On Air Heater

Turbo Blower Equipped w/ FSB3112

(1) Hi Temp. Sight Glasses on Hot End of Air Heater

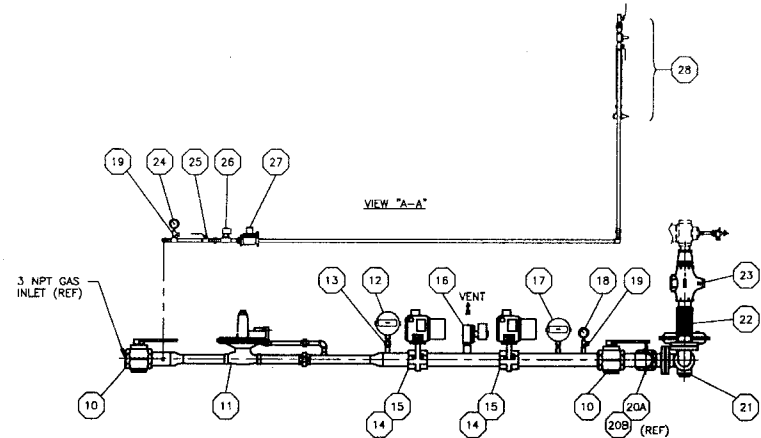
(2) TC Ports W/Caps on Chamber



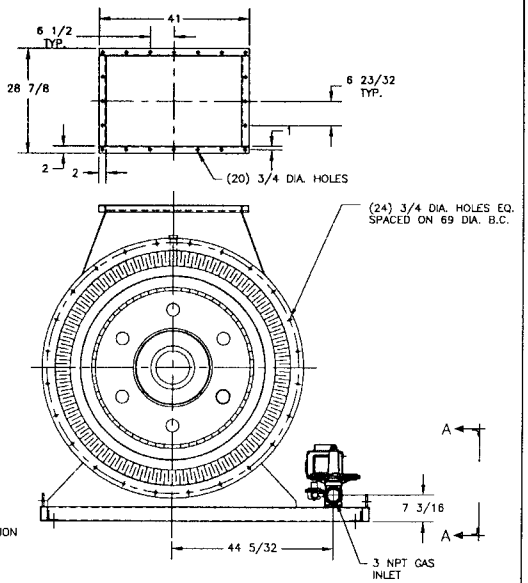
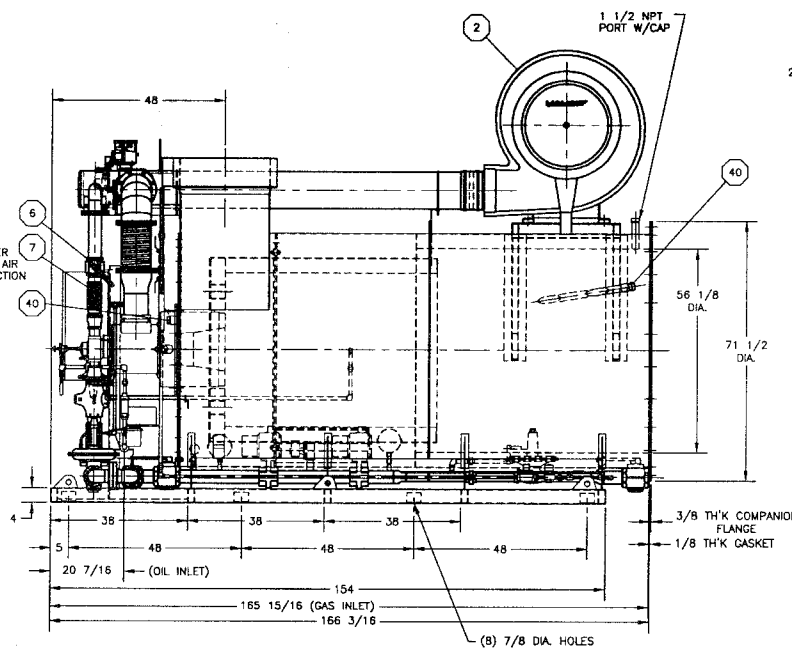
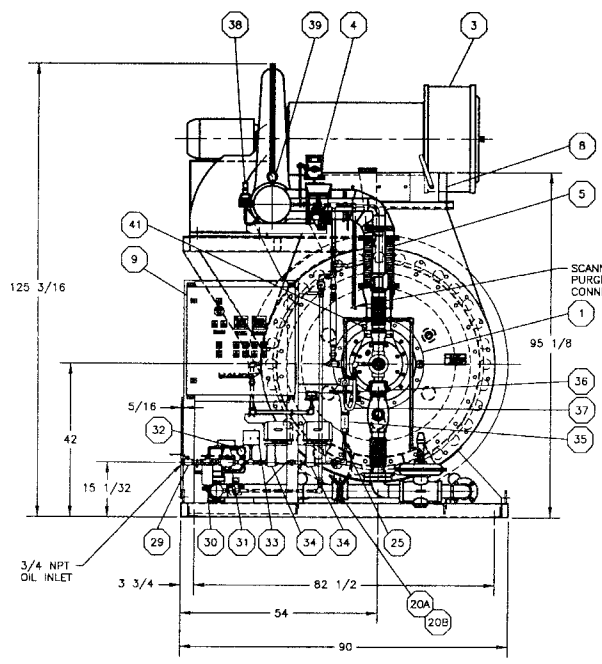
NO. REVISIONS


27	802123x001	1	REGULATOR, FISHER RS22, 13-20"W.C., 1/2 NPT
28	45730x001	1	PILOT ASSY, EXTENDED, IPAG1413A (M=8 1/2")
29	41607	1	VALVE, DA10-40-300A BALL, 3/4 NPT
30	14204	1	FILTER, EDGE PLATE OIL, FEP307, 3/4 NPT
31	802178	1	REGULATOR, TYPE "B" OIL, DA5-60-242A, 1/2 NPT
32	10B78	1	GAUGE, FH1-40-233A, 0-100 PSIG/0-700KPA
33	39537	1	SWITCH, LOW OIL PRESS, HONEYWELL L404V1046, 25-150 PSIG
34	60234	2	VALVE, AUTO. SHUTOFF, MAXON 8730 W/VOS-2 & VCS-2 SWITCHES, 1/2 NPT
35	41419x004	1	METER, INLINE OIL FLOW, 0.5-5 GPM, 3/4 NPT
36	45813	1	REGULATOR, OIL MRO1078, 3/4 NPT
37	11077	1	HOSE, FLEX OIL, FSH1305A, 1/2 NPT
38	61269	1	SWITCH, AIR PRESSURE, CD1H-H255, 0.5-36"W.C.
39	13237	1	GAUGE, FH1-40-228A, 0-55"W.C.
40	61177	2	SITE, HI-TEMP PEEP, 1 1/2 NPT TATE-JONES
41	37811	1	ADAPTER, SCANNER W/ AIR PURGE

ITEM NO.	PART NO.	QTY	DESCRIPTION
1	37640R1556	1	BURNER UNIT ASSY, NMC260 W/STSTL TILE JACKET
2	18600x040	1	BLOWER ASSY, TBA24-20-T-11
3	36086	1	FILTER-SILENCER ASSY, FSB3112-HMC
4	13152R2582	1	VALVE ASSY, BVA20B0R2582 W/ BRKT & LINKAGE FOR HONEYWELL M7284 MOTOR & L.F. SWITCH
5	12861x013	1	NIPPLE, ASSY, 8 RPM FLEX (FPN480X) x 1.3 LG
6	44365	1	VALVE ASSY, MANUAL BUTTERFLY BVA130B
7	11306	1	NIPPLE, FLEX PIPE FPN130B, 3 NPT
8	38102x048	1	DAMPER, MANUAL AIR CONTROL SYSTEM
9	16994	1	PANEL ASSY, BURNER CONTROL
10	801386	2	COCK, DBB-60-99A LUBE PLUG, 3 NPT
11	55137	1	REGULATOR, FISHER 133L, 3/4-2 PSI SPRING, BLUE SPRING
12	14464	1	SWITCH, LOW GAS PRESS, C437H1027, 1/2-5 PSIG
13	44787	1	SMUBBER, 1/2-11128G
14	20621	2	VALVE, AUTO SHUTOFF, MAXON 5000 W/VOS-2 & VCS-2 SWITCHES, 3 NPT
15	38976	2	COCK, LEAK TEST, 1/8 NPT
16	43952	1	VALVE, GAS VENT N.O., 8215C63, 1 1/4 NPT
17	802091	1	SWITCH, HIGH GAS PRESS, C437G1028, 1/2-5 PSIG
18	20709	1	GAUGE, FH1-40-293A, 0-80 OSl/0-28KPA DUAL
19	15796	2	COCK, GAUGE, 1/4 NPT
20A	19813	1	KIT, ORIFICE FLANGE, OMC130, 3 NPT
20B	19755x006	1	PLATE, GAS ORIFICE (-7494) SCFH
21	801588	1	REGULATOR, RATIO GAS, RRC3030A, 3 NPT
22	800565	1	NIPPLE, FLEX PIPE FPN130, 3 NPT/3 ANSI
23	15236	1	VALVE, LIMITING GAS ORIFICE, LVG530A, 3 NPT
24	10881	1	GAUGE, FH1-40-231A, 0-30 PSIG/0-200KPA DUAL
25	41694	2	VALVE, DA10-40-299A BALL, 1/2 NPT
26	20433	1	VALVE, 8215C20 PILOT GAS SOLENOID, 1/2 NPT



# TYPICAL LAYOUT



DATE	PROJ. CODE	DR.	DLS	8-12	88
CHK.	APP.	DWG.	REV.	BY	DATE
TITLE: AIR HEATER PACKAGE, DUAL FUEL PULL-THRU W/ CONTROL PANEL & NMC260 (AHP x 16995)					
 LEBANON, PA.					
SCALE	DATE	REV.	BY	DATE	BY

# AIR HEATER APPLICATION SHEET

**APPLICATION:**

Grinding Mill

**SALES DRAWING NUMBER (S):**

CY6066

**AIR HEATER TYPE:**

Pull Thru

**FUEL (S):**

Natural Gas

#2 Oil

**ELEVATION:**

S.L.

**INLET/OUTLET TEMPERATURE:**

60/600°F

**GROSS BTU INPUT:**

10,000,000 Btu/Hr.

**BACKPRESSURE:**

Negative (5-1/2 lwc)

**OUTLET FLOW RATE/TEMP:**

13,400 SCFM / 600°F

**COMBUSTION AIR BLOWER:**

TBA 24-20-T-11

**BURNER MODEL NUMBER:**

NMC260 R1556

**SECONDARY AIR FAN PART NUMBER & DESCRIPTION:**

Not Available

**CHAMBER ASSEMBLY SIZE / MFG. DRAWING NUMBER:**

130 5/8" / 71410

**CHAMBER INSULATION:**

Stack Bond

**PANEL ASSEMBLY SPEC. NUMBER:**

T6994

**PANEL ASSEMBLY DRAWINGS:**

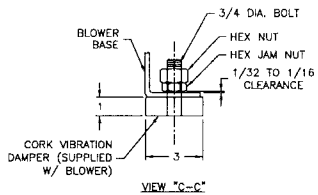
CY6059 - CY6060 - CY6061

**COMMENTS:**

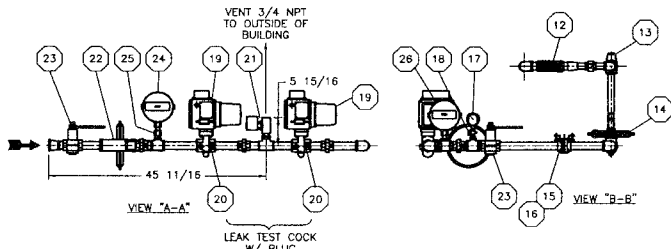
Control Panel Mounted on Air Heater

Over Pressure Switch On Chamber

NO.	REVISIONS
1	302-96-1 DLS 10-23-96
2	22-97-1 DLS 1-20-97

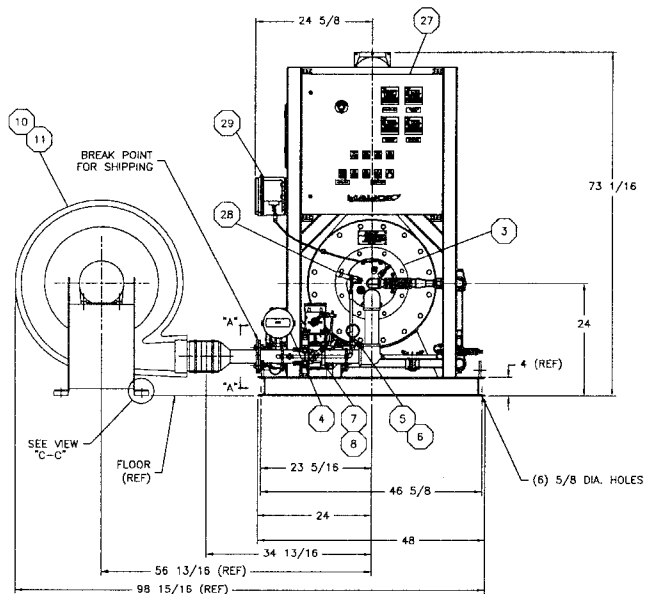


VIEW "C-C"



VIEW "A-A"

VIEW "B-B"

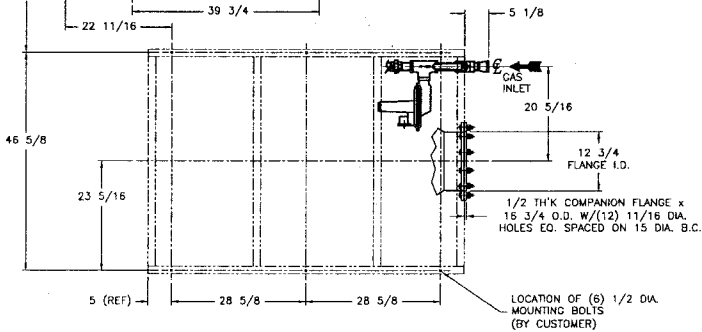
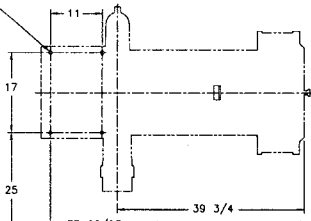


SEE VIEW "C-C"

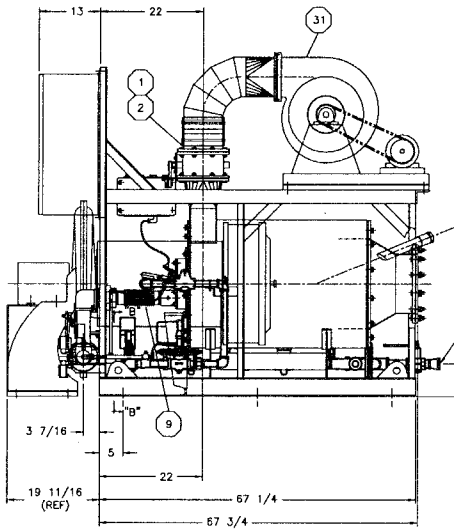
FLOOR (REF)

TYPICAL LAYOUT

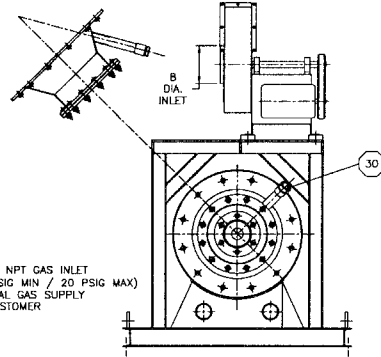
LOCATION OF (4) 3/4 DIA. MOUNTING BOLTS (BY CUSTOMER)



LOCATION OF (6) 1/2 DIA. MOUNTING BOLTS (BY CUSTOMER)



1 1/2 NPT GAS INLET (10 PSIG MIN / 20 PSIG MAX) NATURAL GAS SUPPLY BY CUSTOMER



NOMINAL WEIGHT: 2,000 LB.

ITEM NO.	PART NO.	QTY	DESCRIPTION
----------	----------	-----	-------------

ITEM NO.	PART NO.	QTY	DESCRIPTION
1	13153R0230	1	VALVE ASS'Y, BVA6080B 8 RPM AUTO W/ BRACKET & LINKAGE FOR DAMPER ACTUATOR
2	60784	1	ACTUATOR, AIR DAMPER, M7284C1000
3	54687	1	BURNER UNIT, METAL BURNER GAS, MBG125
4	802088	1	SWITCH, LOW GAS PRESS, C437H1001, 1-16 OSI
5	13237	1	GAUGE, COMB. AIR PRESS, FH1-40-228A 0-55"WC
6	15796	1	COCK, 1/4 MALE x 1/4 FEMALE
7	44363R2545	1	VALVE ASS'Y, BVA425 2 1/2 NPT AUTO W/BRACKET & LINKAGE FOR M7284 MOTOR
8	60784	1	MOTOR, M7284C1000
9	10797	1	NIPPLE, FLEXIBLE PIPE FPN125B, 2 1/2 NPT
10	18596x400	1	BLOWER ASS'Y, TBA24-5-11-1 W/ 3600 RPM, 5 HP, 230/460/3/60 TFC SEVERE DUTY MOTOR
11	36084	1	FILTER-SILENCER ASS'Y, FSB3010-HWC
12	14344	1	NIPPLE, FLEXIBLE PIPE, FPN112B-STSTL 1 1/4 NPT
13	14942	1	VALVE, LIMITING GAS, LVG510A, 1 NPT
14	13071	1	REGULATOR, RATIO GAS RRG1010A, 1 NPT
15	19805	1	FLANGE KIT, OMG115-(1397) METERING, 1 1/2 NPT
16	19753x005	1	PLATE, ORIFICE OMGX12-1397 SCFH
17	20709	1	GAUGE, GAS PRESS, FH1-40-293A 0-60 OSI
18	15796	1	COCK, 1/4 MALE x 1/4 FEMALE
19	802054	2	VALVE, 5000 AUTO W/VDS-2 & VCS-2 SWITCHES 1 1/4 NPT
20	38976	2	COCK, 1/8 MALE x 1/8 FEMALE
21	43950	1	VALVE, EFB215G33 VENT, 3/4 NPT
22	16145	1	REGULATOR, 243-B-2, 1 1/4 NPT
23	801382	2	COCK, DBB-60-95A LUB. PLUG, 1 1/4 NPT
24	802088	1	SWITCH, LOW GAS PRESS, C437H1001, 1-16 OSI
25	44787	1	PLUG, LOW GAS SNUBBER, 1/2 NPT
26	802091	1	SWITCH, HIGH GAS PRESS, C437G1028, 1/2-5 NPT
27	17012	1	PANEL ASS'Y, AIR HEATER CONTROL
28	20579	1	SCANNER, C7027A-1049-2 LV (INCL W/PANEL)
29	18865	1	TRANSFORMER, 5000V IN F'CLAS JUNCTION BOX
30	61177	1	SITE, HIGH TEMP PREP, QUARTZ LENS, 1 1/2 NPT
31	-----	1	FAN, SEC. AIR, COMPACT GENERAL INDUSTRIAL SIZE 146, ARR. 9X, CW ROTATION, TOP HORIZ. DISCH. "L" POS., W/ 3 HP 3600 RPM 182T MOTOR, 230/460/3/60 (SUPPLIED BY CUSTOMER)

REV.	PROB. USE	DATE	DLS	BY

AIR HEATER PACKAGE  
 W/ STSL OUTLET TRANSITION  
 & MBG125 BURNER  
 (AHP x T7014)

# AIR HEATER APPLICATION SHEET

**APPLICATION:**

Grinding Mill

**SALES DRAWING NUMBER (S):**

CY6128

**AIR HEATER TYPE:**

Push Thru

**FUEL (S):**

Natural Gas

**ELEVATION:**

3575 A S L

**INLET/OUTLET TEMPERATURE:**

130/950

**GROSS BTU INPUT:**

1.2 x 10<sup>6</sup>

**BACKPRESSURE:**

Not Available

**OUTLET FLOW RATE/TEMP:**

1275 ACFM / 950°F

**COMBUSTION AIR BLOWER:**

TBA 24-5-T

**BURNER MODEL NUMBER:**

MBG 125

**SECONDARY AIR FAN PART NUMBER & DESCRIPTION:**

Supplied By Customer

**CHAMBER ASSEMBLY SIZE / MFG. DRAWING NUMBER:**

56" x 46"

**CHAMBER INSULATION:**

Stack Bond

**PANEL ASSEMBLY SPEC. NUMBER:**

T7012

**PANEL ASSEMBLY DRAWINGS:**

CY6124 - CY6125 - CX6126

**COMMENTS:**

Very Small

Panel Mounted on Air Heater