

Eclipse BV-PAK

Packaged Butterfly Valve & Actuator

Version 4



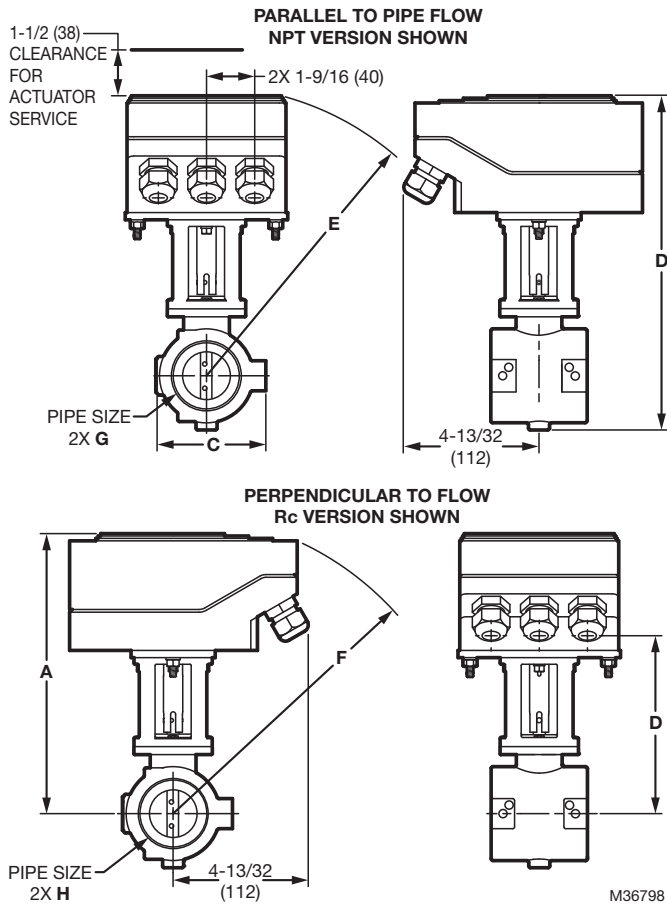
The Eclipse BV-Pak is a packaged solution that makes ordering simple and installation efficient. It is typically used for the regulation of air or fuel-gas in combustion systems where it serves as the control element in a temperature control loop. It does not provide tight shut-off. The assembly includes a Kromschöder IC20/IC40 series actuator (catalog number 902) mounted to a butterfly valve (catalog number 720) with a support, fasteners and a coupling.

Installation Notes

- Make sure the area is clean and prevent contaminants from entering the valve and piping.
- Take steps to prevent dropping the assembly.
- Allow space for removing the actuator cover and accessing wiring.
- Provide support for the piping and assembly in accordance with local codes.
- Do not use the actuator or bracket for holding or turning points.
- Hold the BV-Pak assembly stationary with a pipe wrench at the valve body end nearest to the pipe while turning the pipe into the threads.
- Refer to Kromschöder IC20/IC40 series technical information for wiring and setting the actuator.

Parameter	Specification
Pipe Size	1/2 to 4 inch
Thread Type	NPT or Rc
Flow Port	Full, Reduced, or High-Drop
Disc Shutter	75° Beveled or 360° Non-Beveled
Power Supply	120VAC or 230VAC, +10% / -15%, 50/60Hz
Drive Signal	Analog (0-20mA, 4-20mA, 0-10V, Pot; Digital (2/3/4 Position Step)
Cable Entry	3x M20
Orientation	Perpendicular or Parallel to pipe
Manual Language	English, German, Spanish, or Mandarin
Environment	IP65 / NEMA 3
Temperature	-20 to +60°C (0 to 140°F)
<i>Refer to Instruction Manual 902 and Datasheet 720 for more specification details.</i>	

Dimensions and Weights



Dimensions in mm (inches)								
Model	A	B	C	D	E	F	G	H
02	217 (8.5)	242 (9.6)	52 (2.1)	132 (5.2)	225 (8.9)	227 (8.9)	1/2" NPT	Rc 0.5
03	217 (8.5)	242 (9.6)	52 (2.1)	132 (5.2)	225 (8.9)	234 (9.2)	3/4" NPT	Rc 0.75
04	219 (8.6)	249 (9.8)	60 (2.4)	134 (5.3)	227 (9.0)	236 (9.3)	1" NPT	Rc 1
05	222 (8.7)	254 (10.0)	68 (2.7)	136 (5.4)	230 (9.1)	239 (9.4)	1-1/4" NPT	-
06	225 (8.8)	262 (10.3)	74 (2.9)	138 (5.4)	233 (9.2)	242 (9.5)	1-1/2" NPT	Rc 1.5
08	233 (9.1)	278 (10.9)	90 (3.6)	148 (5.8)	241 (9.5)	249 (9.8)	2" NPT	Rc 2
10	243 (9.5)	293 (11.5)	107 (4.2)	158 (6.2)	250 (9.9)	259 (10.2)	2-1/2" NPT	Rc 2.5
12	249 (9.8)	306 (12.0)	120 (4.7)	164 (6.5)	256 (10.1)	264 (10.4)	3" NPT	Rc 3
16	262 (10.3)	330 (13.1)	147 (5.8)	177 (7.0)	276 (10.5)	276 (10.9)	4" NPT	Rc 4

Model	Weight kg (lbs)
02	3.6 (7.9)
03	3.5 (7.7)
04	3.6 (7.9)
05	3.8 (8.4)
06	3.9 (8.6)
08	4.4 (9.7)
10	5.7 (12.6)
12	6.0 (13.2)
16	7.8 (17.2)

Size	NPT			Rc		
	Reduced Port 75°	Full Port 360°	High Port 360°	Reduced Port 75°	Full Port 360°	High Port 360°
0.5"	-	x	x	-	x	x
0.75"	-	x	x	-	x	x
1"	x	x	x	x	x	x
1.25"	x	x	-	-	-	-
1.5"	x	x	-	x	x	-
2"	x	x	-	x	x	-
2.5"	x	x	-	x	x	-
3"	x	x	-	x	x	-
4"	x	x	-	x	x	-