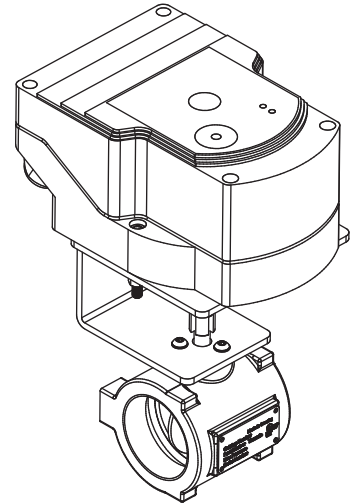
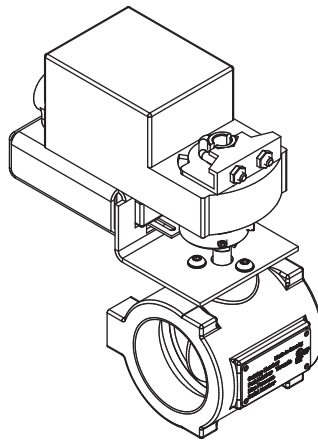
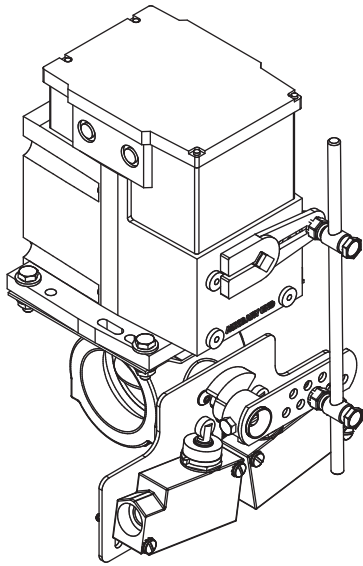


Eclipse BV-PAK-II Packaged Butterfly Valve & Actuator

DATA SHEET

Edition 06.19

Version 1



The Eclipse BV-PAK-II is a packaged solution that makes ordering simple and installation efficient. It is typically used for the regulation of air or fuel-gas in combustion systems where it serves as the control element in a temperature control loop. It does not provide tight shut-off. The assembly offers a Kromschröder IC20/IC40 series, Honeywell Modutrol actuator and Honeywell MN75 actuator mounted to a butterfly valve with a support, fasteners and a coupling.

Installation Notes

- Make sure the area is clean and prevent contaminants from entering the valve and piping.
- Take steps to prevent dropping the assembly.
- Allow space for removing the actuator cover and accessing wiring.
- Provide support for the piping and assembly in accordance with local codes.
- Do not use the actuator or bracket for holding or turning points.
- Hold the BV-Pak-II assembly stationary with a pipe wrench at the valve body end nearest to the pipe while turning the pipe into the threads.
- Refer to appropriate documentation for Kromschröder IC20/IC40 series, Honeywell Modutrol and Honeywell

MN75 technical information for wiring and setting the actuator.

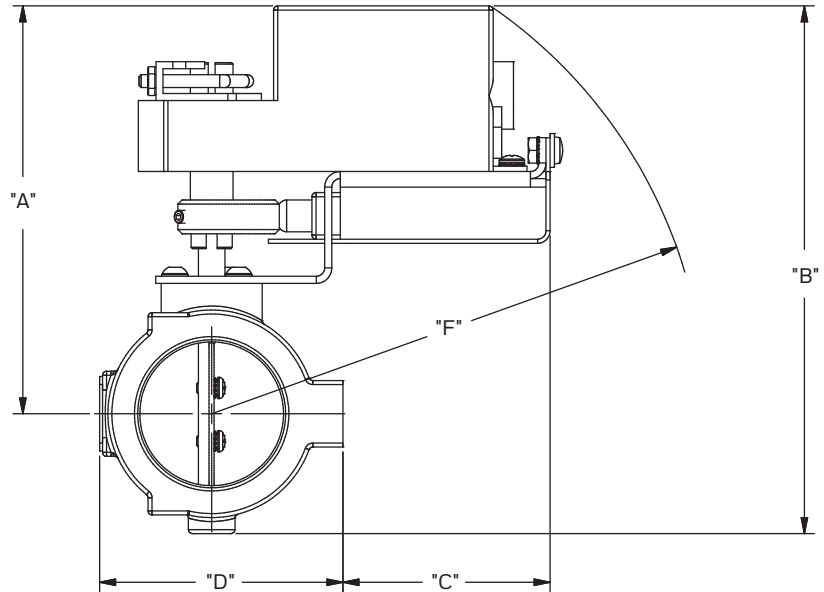
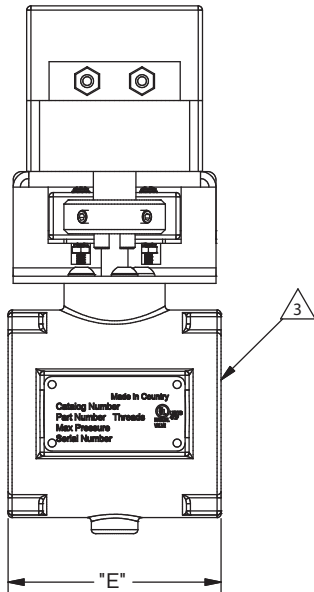
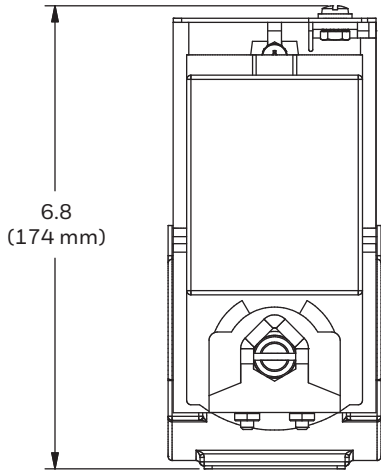
- Attaching actuators to 75deg valves must be done with care since they open in one direction only and have a hard stop.
- Actuator options of direct drive or linkage type available.

Parameter*	Specification
Pipe Size	1/2 to 4 inch
Thread Type	NPT or Rc
Flow Port	Full, Reduced or High-Drop
Disc Shutter	75° Beveled or 360° Non-Beveled
Power Supply	120 VAC or 230 VAC, +10%/-15 %, 50/60 Hz, 24 V AC/DC
Drive Signal	Analog (0-20 mA, 4-20 mA, 0-10 V, Pot); Digital (2/3/4 Position Step)
Orientation	IC20/IC40: Perpendicular or Parallel to pipe Modutrol and MN75: single standard orientation
Manual Language	English, German, Spanish or Mandarin
Environment	IP65/NEMA3
Temperature	-20 to +60 °C (0 to 140 °F)

* Refer to Instruction Manuals and Datasheets for more specification details.

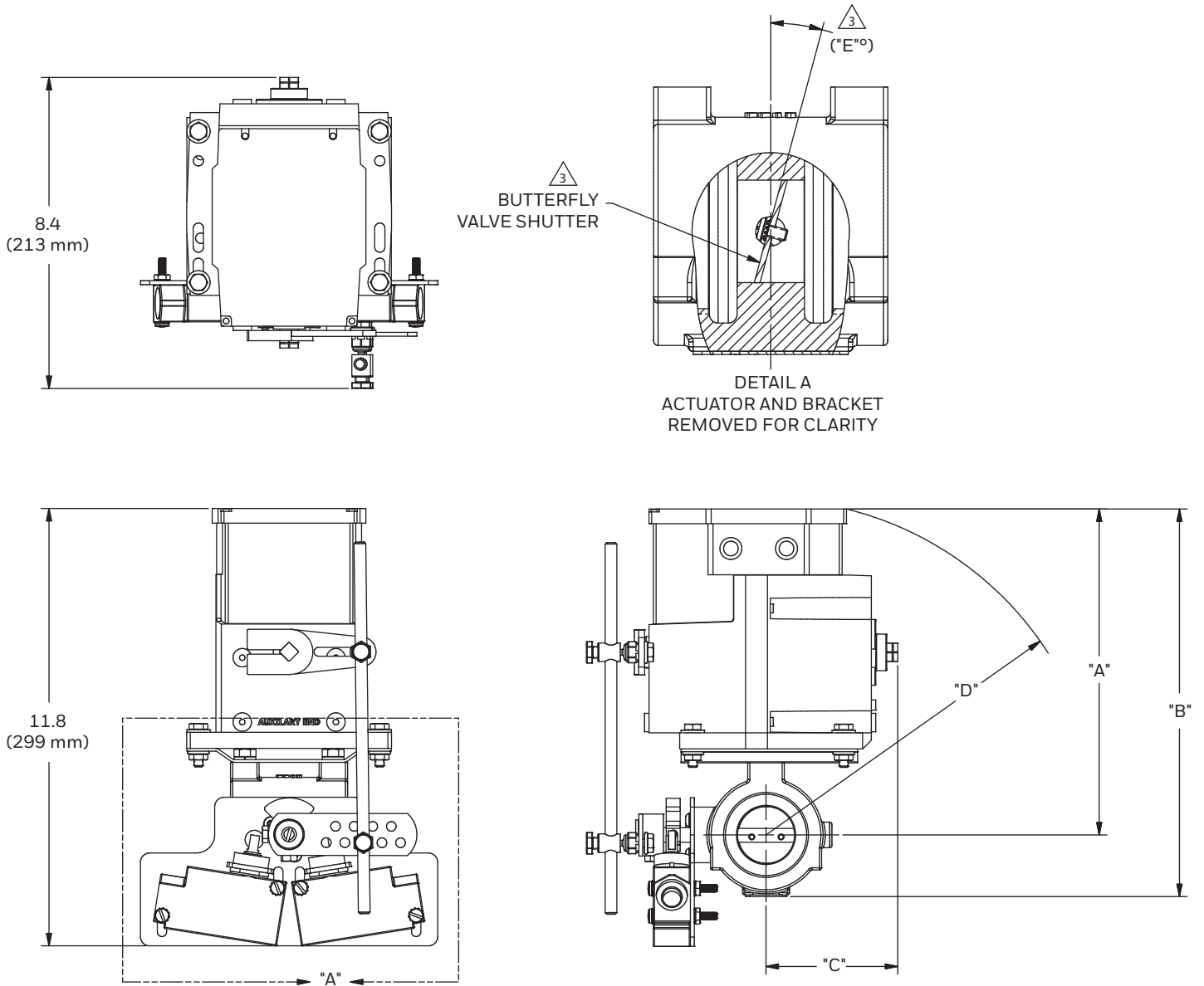
Dimensions

MN75 Actuator



Model	"A"	"B"	"C"	"D"	"E"	"F"	NPT	BSP
02	5.40 in. [137 mm]	6.41 in. [163 mm]	3.82 in. [97 mm]	6.81 in. [173 mm]	3.01 in. [77 mm]	6.81 in. [173 mm]	1/2" NPT	Rc 0.5
03	5.40 in. [137 mm]	6.41 in. [163 mm]	3.82 in. [97 mm]	6.81 in. [173 mm]	3.01 in. [77 mm]	6.81 in. [173 mm]	3/4" NPT	Rc 0.75
04	5.48 in. [139 mm]	6.66 in. [169 mm]	3.68 in. [94 mm]	6.85 in. [174 mm]	3.00 in. [75 mm]	6.85 in. [174 mm]	1" NPT	Rc 1
05	5.60 in. [142 mm]	6.90 in. [175 mm]	3.51 in. [89 mm]	6.97 in. [177 mm]	3.15 in. [80 mm]	6.97 in. [177 mm]	1-1/4" NPT	-
06	5.72 in. [145 mm]	7.18 in. [182 mm]	3.38 in. [86 mm]	7.05 in. [179 mm]	3.15 in. [80 mm]	7.05 in. [179 mm]	1-1/2" NPT	Rc 1.5
08	6.03 in. [153 mm]	7.81 in. [198 mm]	3.07 in. [78 mm]	7.32 in. [186 mm]	3.15 in. [80 mm]	7.32 in. [186 mm]	2" NPT	Rc 2
10	6.43 in. [163 mm]	8.42 in. [214 mm]	2.76 in. [70 mm]	7.64 in. [194 mm]	3.90 in. [99 mm]	7.64 in. [194 mm]	2-1/2" NPT	Rc 2.5
12	6.66 in. [169 mm]	8.93 in. [227 mm]	2.51 in. [64 mm]	7.83 in. [199 mm]	3.94 in. [100 mm]	7.83 in. [199 mm]	3" NPT	Rc 3
16	7.18 in. [182 mm]	9.99 in. [254 mm]	1.94 in. [50 mm]	8.27 in. [210 mm]	5.00 in. [127 mm]	8.27 in. [210 mm]	4" NPT	Rc 4

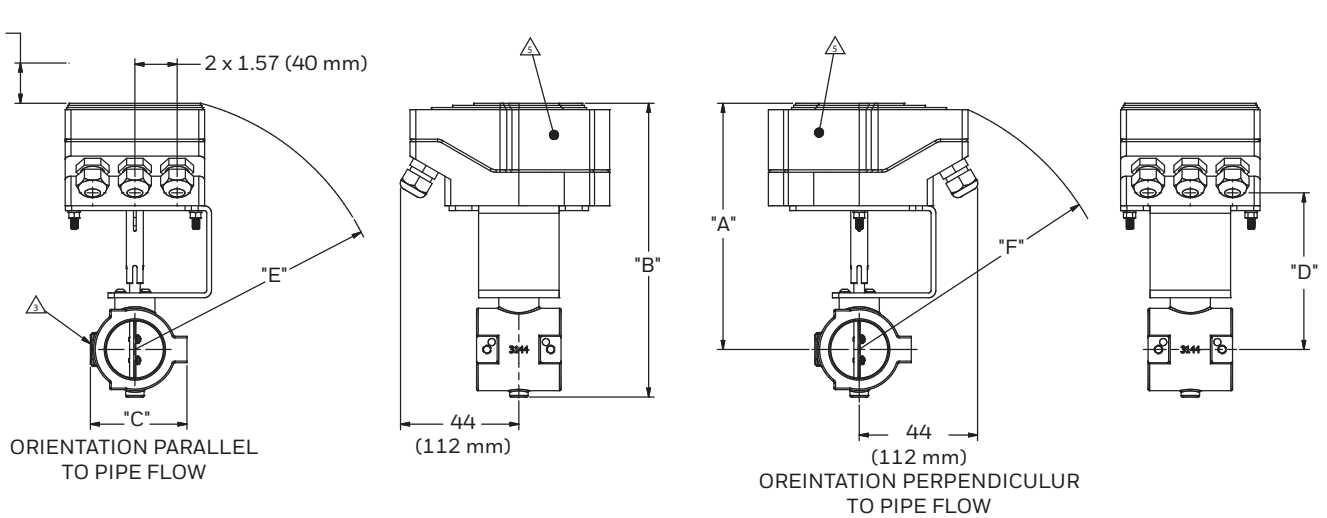
Modutrol Actuator



Model	"A"	"B"	"C"	"D"	NPT	BSP
02	8.02 in. [204 mm]	8.93 in. [227 mm]	4.27 in. [109 mm]	8.53 in. [217 mm]	1/2" NPT	Rc 0.5
03	8.02 in. [204 mm]	8.93 in. [227 mm]	4.17 in. [106 mm]	8.49 in. [216 mm]	3/4" NPT	Rc 0.75
04	8.16 in. [207 mm]	9.20 in. [234 mm]	4.17 in. [106 mm]	8.82 in. [219 mm]	1" NPT	Rc 1
05	8.37 in. [213 mm]	9.56 in. [243 mm]	3.98 in. [101 mm]	8.73 in. [222 mm]	1-1/4" NPT	-
06	8.45 in. [215 mm]	9.80 in. [249 mm]	3.86 in. [90 mm]	8.81 in. [224 mm]	1-1/2" NPT	Rc 1.5
08	8.77 in. [223 mm]	10.43 in. [265 mm]	3.54 in. [90 mm]	9.04 in. [230 mm]	2" NPT	Rc 2
10	9.08 in. [231 mm]	11.10 in. [282 mm]	3.15 in. [80 mm]	9.25 in. [235 mm]	2-1/2" NPT	Rc 2.5
12	9.33 in. [237 mm]	11.58 in. [294 mm]	2.91 in. [74 mm]	9.46 in. [240 mm]	3" NPT	Rc 3
16	9.89 in. [251 mm]	12.66 in. [321 mm]	2.40 in. [61 mm]	9.95 in. [253 mm]	4" NPT	Rc 4

Valve Type	"E"
360° Butterfly valves	0
75° Butterfly valves	15

Kromschröder Actuator



Model	"A"	"B"	"C"	"D"	"E"	"F"	NPT	BSP
02	8.55 in. [217 mm]	9.55 in. [243 mm]	2.10 in. [53 mm]	5.21 in. [132 mm]	8.90 in. [226 mm]	9.21 in. [234 mm]	1/2" NPT	Rc 0.5
03	8.55 in. [217 mm]	9.55 in. [243 mm]	2.10 in. [53 mm]	5.21 in. [132 mm]	8.90 in. [226 mm]	9.21 in. [234 mm]	3/4" NPT	Rc 0.75
04	8.63 in. [219 mm]	9.81 in. [249 mm]	2.40 in. [61 mm]	5.29 in. [134 mm]	8.98 in. [228 mm]	9.33 in. [237 mm]	1" NPT	Rc 1
05	8.74 in. [222 mm]	10.04 in. [255 mm]	2.73 in. [69 mm]	5.41 in. [137 mm]	9.09 in. [231 mm]	9.41 in. [239 mm]	1-1/4" NPT	-
06	8.86 in. [225 mm]	10.32 in. [262 mm]	2.97 in. [75 mm]	5.52 in. [140 mm]	9.21 in. [234 mm]	9.53 in. [242 mm]	1-1/2" NPT	Rc 1.5
08	9.18 in. [233 mm]	10.95 in. [278 mm]	3.60 in. [91 mm]	5.84 in. [148 mm]	9.49 in. [241 mm]	9.80 in. [249 mm]	2" NPT	Rc 2
10	9.57 in. [243 mm]	11.56 in. [294 mm]	4.26 in. [108 mm]	6.23 in. [158 mm]	9.88 in. [251 mm]	10.20 in. [259 mm]	2-1/2" NPT	Rc 2.5
12	9.81 in. [249 mm]	10.07 in. [307 mm]	4.75 in. [121 mm]	6.47 in. [164 mm]	10.12 in. [257 mm]	10.39 in. [264 mm]	3" NPT	Rc 3
16	10.32 in. [262 mm]	13.13 in. [334 mm]	5.82 in. [148 mm]	6.98 in. [177 mm]	10.63 in. [270 mm]	10.87 in. [276 mm]	4" NPT	Rc 4

For More Information

The Honeywell Thermal Solutions family of products includes Honeywell Combustion Safety, Eclipse, Exothermics, Hauck, Kromschröder and Maxon. To learn more about our products, visit ThermalSolutions.honeywell.com or contact your Honeywell Sales Engineer.

Honeywell Process Solutions

Honeywell Thermal Solutions (HTS)
Eclipse Inc.
1665 Elmwood Rd.
Rockford, IL 61103
United States
T +1 815 877 3031
www.ThermalSolutions.honeywell.com

© U.S. Registered Trademark
© 2019 Honeywell International Inc.
32-00249-01 Edition 06.19
Printed in United States

Honeywell