

SV2 Series Valve Flange Kits

FLANGEABNPT050, 075, 100, 125
 FLANGEABBSP050, 075, 100, 125

INSTALLATION INSTRUCTIONS



APPLICATION

The flange Kits provide connection for the SV2 Series safety shut-off valves V2F, V2A, V2P and V2V to standard size NPT and BSP gas pipes. The flange kits consist of 1 flange with sealing plug and 4 screws. Refer to Table 1 for the flange kit details.

NOTE: O-rings are shipped with each valve.

Part Number	Thread Type	Size Inches/DIN	Valve Body Size
FLANGEABNPT050	NPT	0.50 / DN15	B 1.0 MMBtu, 300 kW (at 4" w.c. pressure drop)
FLANGEABNPT075		0.75 / DN20	
FLANGEABNPT100		1.00 / DN25	
FLANGEABNPT125		1.25 / DN32	
FLANGEABBSP050	BSP	0.50 / DN15	
FLANGEABBSP075		0.75 / DN20	
FLANGEABBSP100		1.00 / DN25	
FLANGEABBSP125		1.25 / DN32	

Table 1. Flange Kits.

Flange Type	Size in in. (mm) and Type	Torque in Nm (in-lbf)
NPT	1/8-27 (3) NPT	7±1 (62±9)
BSP	1/8-28 (3) BSP	1.5±0.15 (13.3±1.3)

Table 2. Pressure Tap Sizes and Threads.

APPROVALS

UL Recognized Components: File No. MH28787
 CE Pin number 0063CQ1175, Certificate # 18GR0759/00

CSA Contract # 158158 (112491_0_000),
 Certificate # 70086210

The flanges are not stand-alone products and must be used with a SV2 Series valve and thus are specified as part of the valve approvals.

INSTALLATION

NOTE: Follow the valve orientation planning recommendations as outlined in the SV2 Series Safety Shut-off Valves installation instructions, document 32-00018.

Flange Mounting to Main Gas Connection

1. Remove the flanges from the box.
2. Use a sound taper fitting with thread according to ISO7-1 or new, properly reamed pipe free from swarf.
3. Apply a moderate amount of good quality thread compound to the pipe for fitting only, leaving the two end threads bare. Ensure the thread compound is resistant to the action of liquid propane (LP) gas. Refer to Fig. 1.

NOTE: Ensure the gap left between the flanges when installed on the pipes does not exceed the valve body width otherwise the valve piping may be over stressed.

4. Screw the flanges onto the pipes.

NOTE: The 1in/DN25 valve flange pressure port must be installed facing sideways (refer to Fig. 2) due to the mounting hole orientations.

5. Make sure the inlet and outlet flanges are in line and separated from each other enough to allow the valve to be mounted between the flanges without damaging the O-rings.

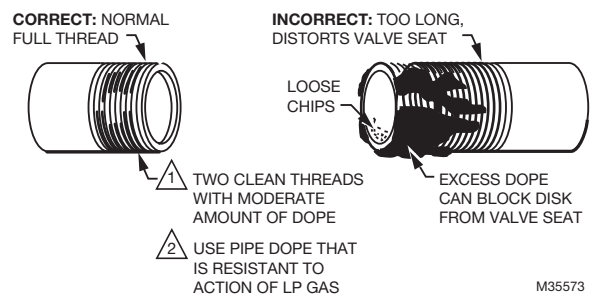
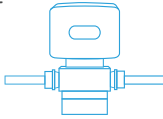


Fig. 1. Preparing pipelines.



Mounting Valve to Flange(s) and Piping

1. Remove paper covering over the valve inlet and outlet ports.
2. Take care that dirt does not enter the gas valve during handling.
3. Make sure O-ring surfaces on valve body and flange are clean.
4. Ensure the O-rings provided with the valve are properly positioned in the valve body O-ring groove. Refer to Fig. 2.
5. Mount gas valve between flanges using the screws provided for each flange.



NOTE: 1 inch (DN25) valve bodies have drilled and tapped holes.

- a. Slide valve into pipe train, supporting as necessary so that valve does not rotate.
- b. Insert provided screws into the flanges and tighten.
- c. Recommended tightening torque is 3.4 Nm (30 in-lbf)

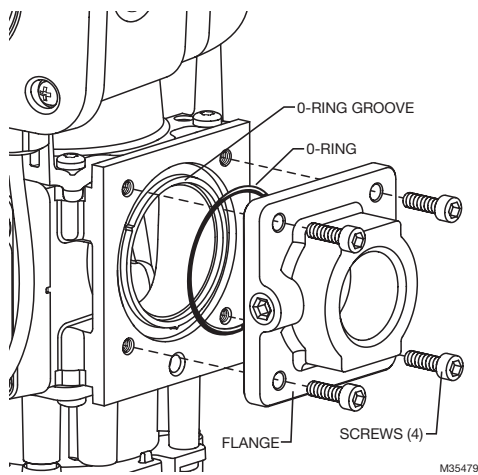
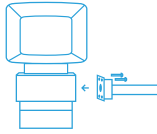


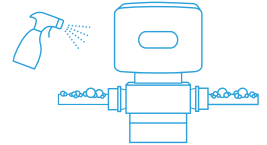
Fig. 2. Installing the flange kit on the V2X valve body.

WARNING

Explosion or Fire Hazard
Can cause severe injury, death, or property damage.
Always perform a gas leak check following the flange installation.

Valve Seat and Accessory Connection Leak Test

Refer to the SV2 Series Safety Shut-Off Valves Installation Instructions, 32-00018, which is packed with each valve, for the full valve connection, accessory and valve seat leak test instructions.



IMPORTANT

The Valve Connection and Accessory Leak Test is used for checking the leakage tightness of the valve and flange connections. It should be performed only by a trained, experienced flame safeguard technician during initial startup of the system or whenever work has been performed on the valve system. It is also recommended to include this test in the scheduled inspection and maintenance procedures.

NOTES: In order to complete the leak test, the valve solenoids must be energized. Valves with intelligent features can be energized if the Installer + OEM passwords have already been assigned, thereby removing faults associated with un-assigned passwords.

For an un-programmed valve, the user must log in via the HMI/PC Tool with the default OEM password and/or assign Installer + OEM passwords in order to energize the valve seats. Default passwords are automatically pre-filled during the initial user login.

Premix valves must have the fuel/air curve programmed/ cloned first in order to clear the base curve faults before the solenoids can be energized.

For more information on this product and the entire SV2 Series product line, please refer to the SV2 Series User Guide located on our website at <https://combustion.honeywell.com/sv2>

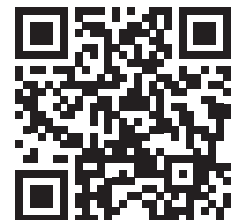
For More Information

The Honeywell Thermal Solutions family of products includes Honeywell Combustion Safety, Eclipse, Exothermics, Hauck, Kromschroder and Maxon. To learn more about our products, visit ThermalSolutions.honeywell.com or contact your Honeywell Sales Engineer.

Honeywell Process Solutions
Honeywell Thermal Solutions (HTS)
1250 West Sam Houston Parkway
South Houston, TX 77042

ThermalSolutions.honeywell.com

® U.S. Registered Trademark.
© 2019 Honeywell International Inc.
32-00028-05 Rev. 06-19
Printed in USA



Honeywell