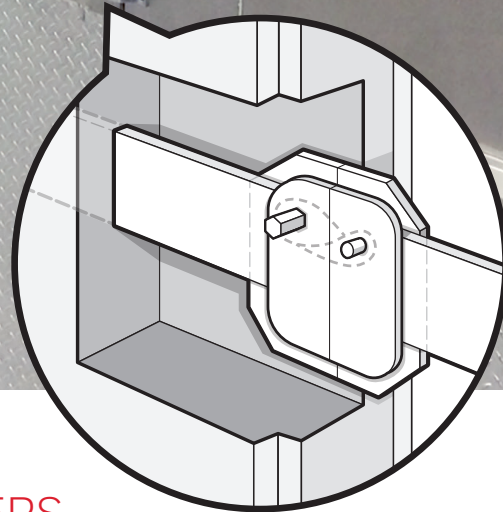


# WHAT'S INSIDE MATTERS

For sustainability that's truly sustainable, choose Bally panel systems with structural Speed-Lok™ technology insulated with foam using Honeywell Solstice® Liquid Blowing Agent (LBA).



**Long-Term  
Performance**



**Environmental  
Benefits**

**POURED-IN-PLACE  
INSULATION DELIVERS  
IMPROVED VERSATILITY  
AND PERFORMANCE.\***

And **with Solstice LBA** it means ...

- **Better R-Value\***  
Solstice LBA increases the R-value of conventionally processed polyurethane foam in discontinuous panel operations.
- **Better for the Environment**  
Ultra-low Global Warming Potential (GWP) of 1 (99.9% lower than HFC blowing agents and equal to CO<sub>2</sub>) supports compliance with current and future environmental regulations.
- **Excellent Dimensional Stability and Adhesion**  
Versus systems formulated with pentanes, HFC-134a or HCFC-141b.
- **Ease of Use**  
Solstice LBA is nonflammable (ASTM E-681/EU A11) and is a near "drop-in" replacement for conventional panel processing equipment. No investment in plant equipment is required to meet flammability or other improved product characteristics.

\*Compared to laminated products. Bally comparison data available upon request.

Bally's innovative system delivers  
**UNPARALLELED  
STRENGTH**



**Structural steel door frame** interconnected with the unique Speed-Lok panel strapping system provides an internal skeleton of reinforcement throughout the entire panel system, resulting in strength that can outperform the competition for decades.



Add in Bally's SmartSpeed™ fan motor technology and SmartVap+™ evaporator technology to get one of the **most energy-efficient solutions available.**

Up to

**10%**

energy savings when adding SmartSpeed to evaporator

Up to

**25%**

energy savings when adding SmartSpeed to both evaporator and condensing unit

## Plus ...

SmartVap+ evaporator technology is intuitive and simple. It provides energy-saving adaptive defrost, a faster-reacting electronic expansion valve that provides more precise temperature controls along with out-reporting, remote monitoring, BMS interconnectivity and a simplified installation.

**2 Wires + 2 Pipes = Simple**

## Contact Us

[www.ballyrefboxes.com](http://www.ballyrefboxes.com) | [www.honeywell-blowingagents.com](http://www.honeywell-blowingagents.com)

Although Honeywell believes that the information contained herein is accurate and reliable, it is presented without guarantee or responsibility of any kind and does not constitute any representation or warranty of Honeywell, either expressed or implied. A number of factors may affect the performance of any product, including other raw materials, application, formulation, environmental factors and manufacturing conditions among others, all of which must be taken into account by the user in producing or using the products. The user should not assume that all necessary data for the proper evaluation of these products are contained herein. Information provided herein does not relieve the user from the responsibility of carrying out its own tests and experiments, and the user assumes all risks and liabilities (including, but not limited to, risks relating to results, patent infringement, regulatory compliance and health, safety and environment) related to the use of the products and/or information contained herein.

### Honeywell Advanced Materials

115 Tabor Road  
Morris Plains, NJ 07950  
800-631-8138  
[www.honeywell-blowingagents.com](http://www.honeywell-blowingagents.com)

2631 FP REF | September 2019  
© 2019 Honeywell International Inc. All rights reserved.

## LEGACY of INNOVATION

Get all the benefits of a superior solution built on a legacy of innovation.

## Honeywell 70+ Years

Honeywell remains at the forefront of foam blowing agent technology. We provide blowing agent solutions for insulated metal panels and a wide array of insulation applications.



## Since 1930

Bally began building cedar chests and refrigerated grocery display cases nearly 90 years ago and remains on the leading edge of refrigeration solutions today.

**THE  
FUTURE  
IS  
WHAT  
WE  
MAKE IT**

**Honeywell**