

Wall Mount Sleeve

Model: DH-8ZP and DH-8SS

Description

Zinc plated* mild steel or stainless steel construction.
Compact design creates minimum intrusion into work space.
Mounts to vertical concrete or steel structures. Comes with PVC sleeve liner.

Materials

FOR DH-8ZP

General Construction:	Welded Steel
Weld Certification:	AWS
Structure Material:	A-36 Steel Plate
Sleeve Material:	Sch. 40 Pipe
Sleeve Bearing Material:	PVC Pipe ASTM-D-1785
Thrust Bearing Material:	High Density Polyethylene
Finish:	Zinc Chromate
Plating Specification:	ASTM Designation B633-85, Type II, SC2

FOR DH-8SS

General Construction:	Welded Stainless Steel
Weld Certification:	AWS
Structure Material:	304 Stainless Steel Plate
Sleeve Material:	Sch. 40 Pipe
Sleeve Bearing Material:	PVC Pipe ASTM-D-1785
Thrust Bearing Material:	High Density Polyethylene
Finish:	Sand Blasted



Technical

Rated Capacity:	450lbs (204kg) working load limit @ minimum 4:1 Design Factor
Mast Moment Proof Load	90,000 in-lbs (10,200 N.m)
Mast Rotation	360 °
DH-8ZP Weight	12lbs (5.4kg)
DH-8SS Weight	13lbs (5.9kg)

Note: Sleeves are designed to withstand the proof load rating of all standard Miller DuraHoist masts.

Mounting Requirements (Minimum)

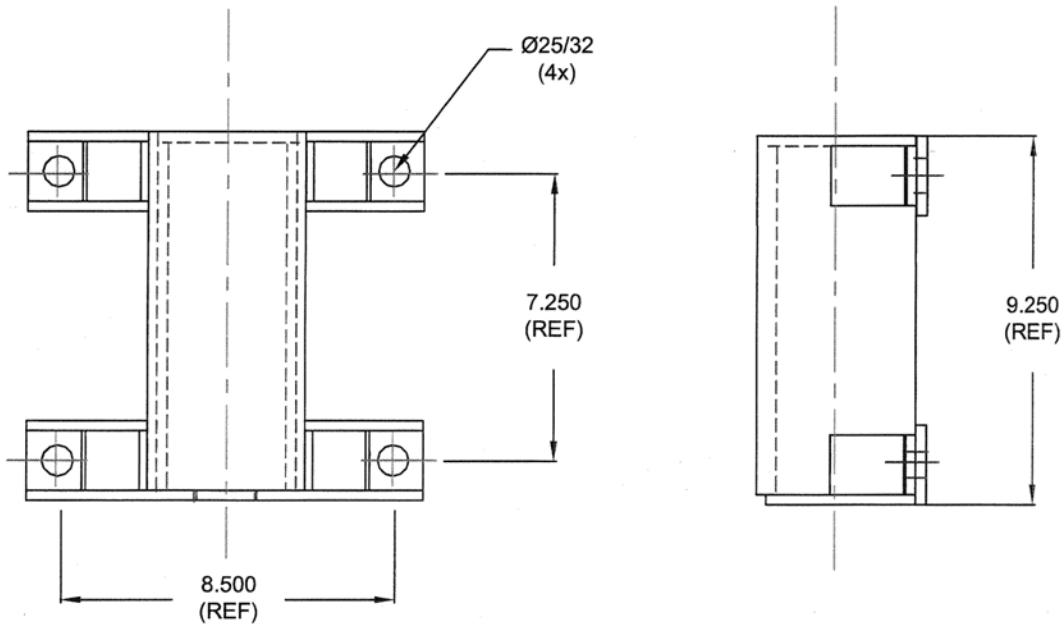
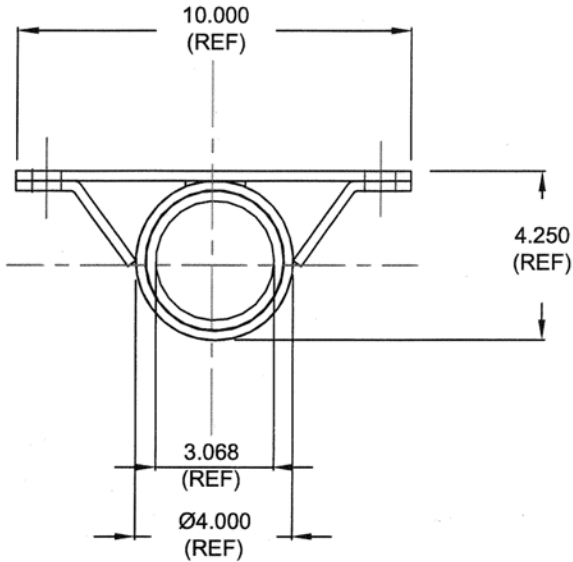
The structure and mounting hardware must be capable of withstanding a 90,000lbs (10,170Nm) moment and a 5,000lb (22.2kN) vertical load. Installation MUST be approved to local regulations by a qualified engineer.

Application Restrictions

- Sleeves are for use with approved masts and accessories ONLY.
- System design factor depends on other system components and the configurations in which they are assembled. The minimum design factor for all standard MILLER DuraHoist mast and accessories is 4:1.
- All welding is to be carried out by qualified personnel.
- If base material does not meet minimum requirements, reinforcement MUST be added to meet minimum requirements.
- Each installation MUST be approved to local standards by a qualified engineer.

Wall Mount Sleeve

Model: DH-8ZP and DH-8SS



by Honeywell

Toll Free 800.873.5242 (press 4) • hsptechsupport@honeywell.com • www.millerfallprotection.com

▲ WARNING! THIS DOCUMENT PROVIDES AN OVERVIEW OF FALL PROTECTION PRODUCTS AVAILABLE FROM HONEYWELL AND CARE HAS BEEN TAKEN TO ASSURE THE ACCURACY OF THE DATA. IT DOES NOT PROVIDE IMPORTANT PRODUCT WARNINGS AND INSTRUCTIONS. HONEYWELL RECOMMENDS ALL USERS OF FALL PROTECTION EQUIPMENT UNDERGO THOROUGH TRAINING, AND THAT ALL WARNINGS AND INSTRUCTIONS PROVIDED WITH THE PRODUCTS BE THOROUGHLY READ AND UNDERSTOOD PRIOR TO EACH USE. FAILURE TO READ AND FOLLOW ALL PRODUCT WARNINGS AND INSTRUCTIONS COULD RESULT IN SERIOUS INJURY OR DEATH.