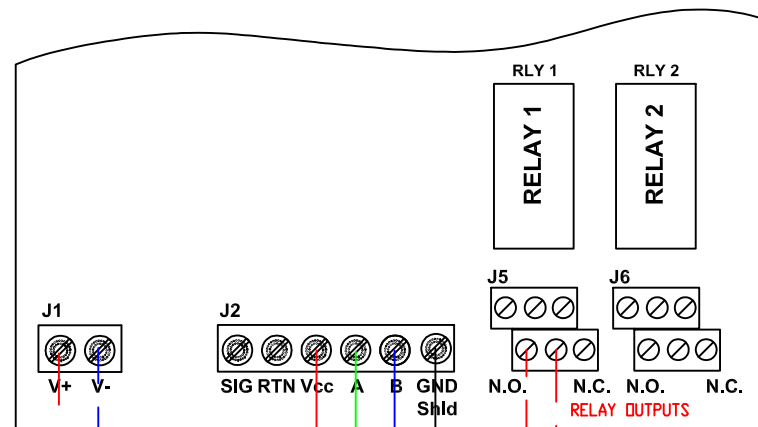
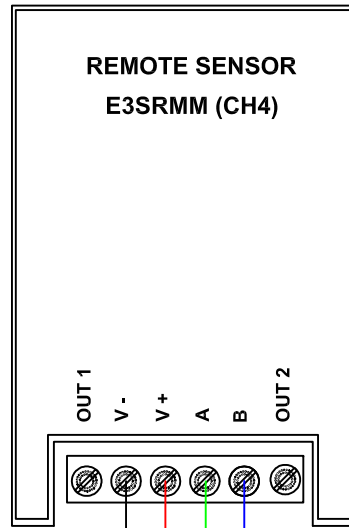
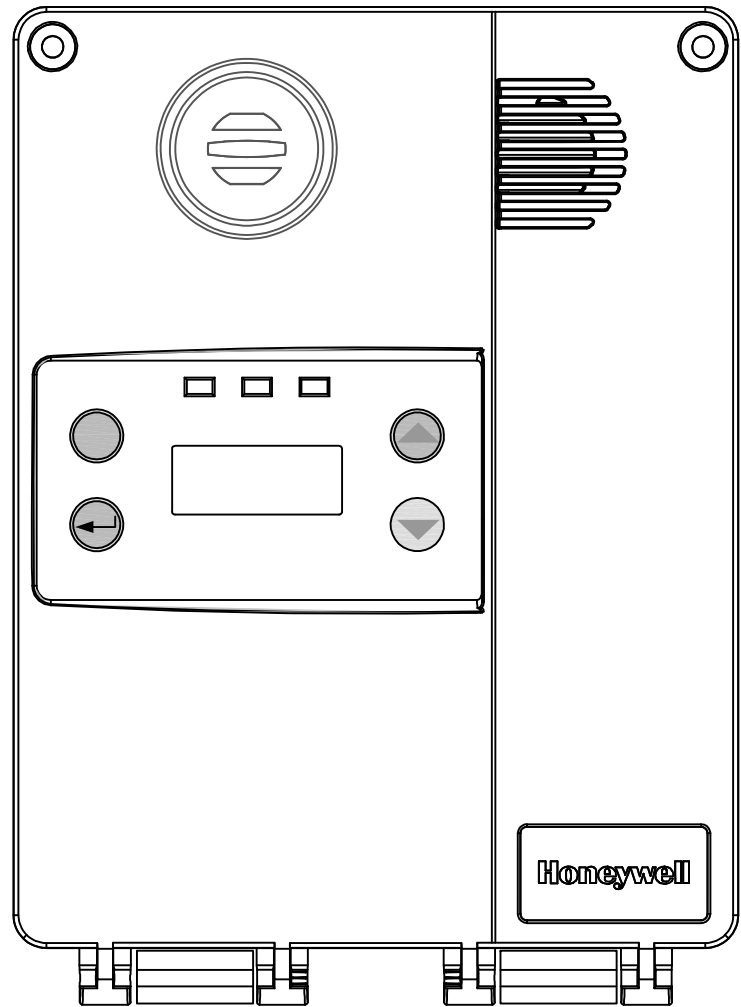
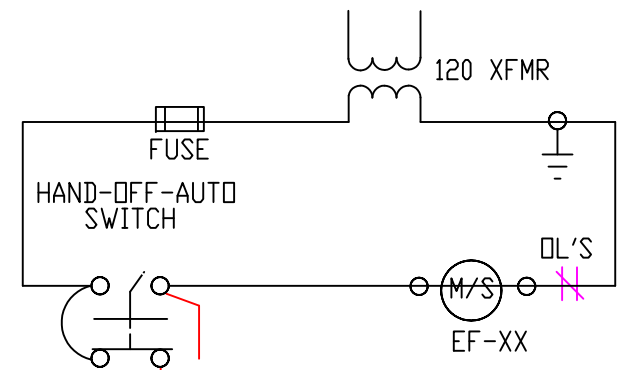
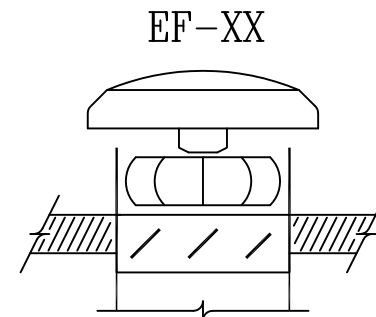


E3SARSCO

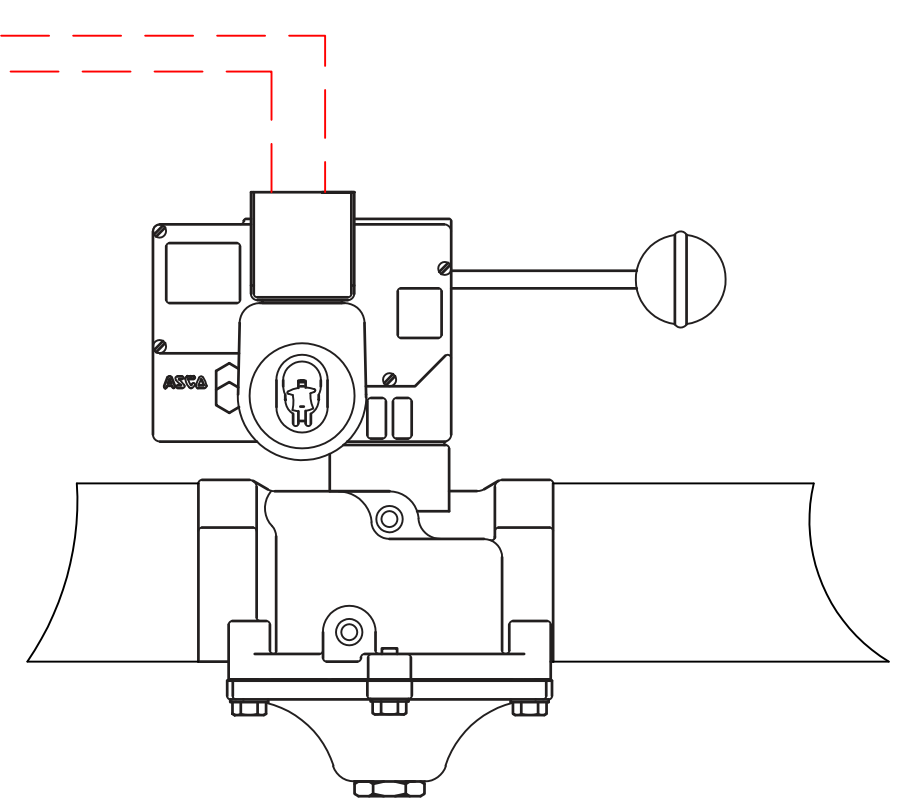


24V AC/DC



CONTROLLED DEVICES

MOTOR STARTER INTERLOCK WIRING SHOWN FOR EF-XX



GAS VALVE (ASCO 8044)

Disclaimer
DRAWINGS ARE FOR MARKETING PURPOSES ONLY AND SHOULD NOT BE RELIED UPON BY CUSTOMER WHEN PURCHASING OR INSTALLING GAS DETECTION DEVICES. HONEYWELL IS NOT RESPONSIBLE FOR THE TYPE, SIZE, LOCATION AND SUITABILITY OF GAS DETECTION DEVICES SHOWN ON THE DRAWINGS. HONEYWELL MAKES NO CLAIM OR WARRANTY THAT THE DRAWING COMPLIES WITH LOCAL, STATE OR NATIONAL BUILDING OR SAFETY CODES. CODE COMPLIANCE IS THE SOLE RESPONSIBILITY OF THE CUSTOMER. HONEYWELL DISCLAIMS ALL WARRANTIES AND LIABILITY IN CONNECTION WITH THE DRAWING.

Project:	E3POINT / GAS VALVE / EXHAUST FAN
Client:	
Drawing number:	
Rev.	Date: SEPT 26, 2012
Drawn by: SJI	
# Command: N/A	Page: (1/1)

Honeywell 4005 Matte, Local G,
Brossard, Quebec,
J4Y 2P4
Analytics Tel.: 1-800-563-2967
Fax.: 1-888-967-9938
www.honeywellanalytics.com