

Universal Joint Assembly

Model: DH-14

Description

The Universal Joint Assembly installs between the standard model DH-12 Hitch Mount Sleeve or hitch mount extensions and the attendant vehicle to compensate for uneven ground conditions at the site.

Materials

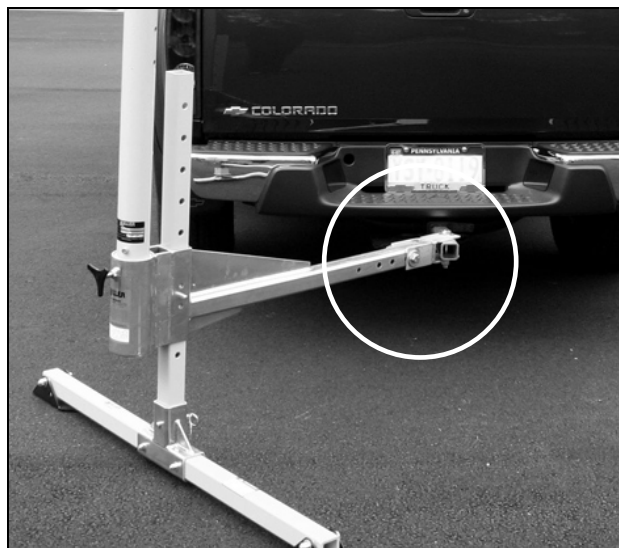
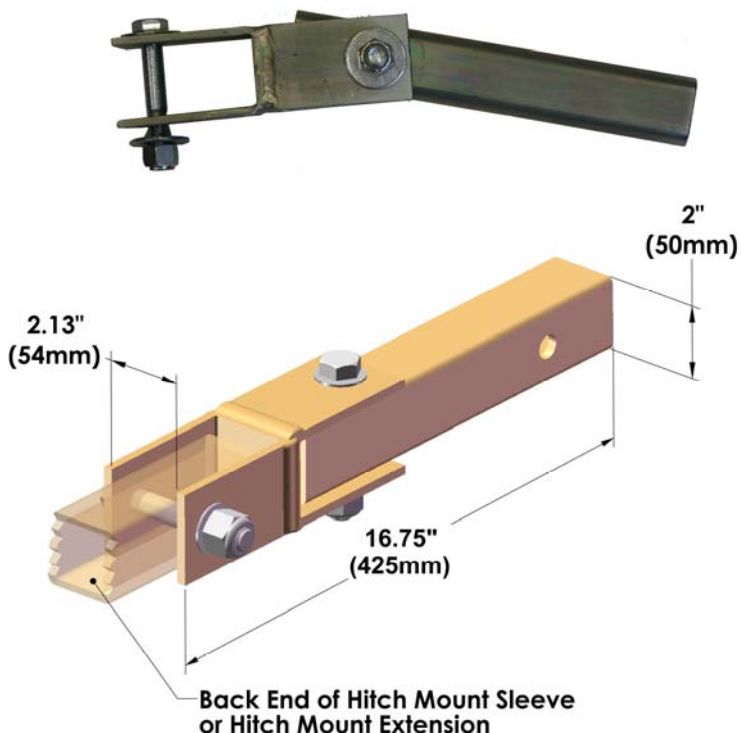
General Construction:	Welded Steel
Weld Certification:	AWS
Finish:	Zinc Plated
Hardware:	Gr.5, Zinc Plated
Plating Specification:	ASTM Designation B633-85, Type II, SC2

Technical

Working Load:	450lbs (204kg) working
Design Factor:	Dependent on other system components, minimum 4:1 Design Factor
Proof Load:	90,000 in-lbs (10,200 N.m)
Weight:	8.5lbs (3.9kg)

Application Restrictions

1. This device is intended for use with equipment and accessories manufactured and/or approved by Miller. Accessories are subject to various application restrictions as outlined in the application accessory specifications sheets.
2. Only one extension at a time is to be used with a hitch mounting sleeve. Multiple hitch mount sleeve extensions are not to be used.
3. The standard Hitch Mount Sleeve is to be used with a maximum 30" (762mm) offset mast.
4. Anchoring to an attendant vehicle may not be permitted within certain jurisdictions. Ensure that use of this equipment does not violate any regulations within your area.
5. The Universal Joint Assembly must be served directly to vehicle, not between a Hitch Mount Extension and Hitch Mount Sleeve.
6. Each installation must be approved to local standards by a qualified engineer.



DH-14 installed between the DH-12 and vehicle.

MILLER®

by Honeywell

Toll Free 800.873.5242 (press 4) • hspstechsupport@honeywell.com • www.millerfallprotection.com

▲ WARNING! THIS DOCUMENT PROVIDES AN OVERVIEW OF FALL PROTECTION PRODUCTS AVAILABLE FROM HONEYWELL AND CARE HAS BEEN TAKEN TO ASSURE THE ACCURACY OF THE DATA. IT DOES NOT PROVIDE IMPORTANT PRODUCT WARNINGS AND INSTRUCTIONS. HONEYWELL RECOMMENDS ALL USERS OF FALL PROTECTION EQUIPMENT UNDERGO THOROUGH TRAINING, AND THAT ALL WARNINGS AND INSTRUCTIONS PROVIDED WITH THE PRODUCTS BE THOROUGHLY READ AND UNDERSTOOD PRIOR TO EACH USE. FAILURE TO READ AND FOLLOW ALL PRODUCT WARNINGS AND INSTRUCTIONS COULD RESULT IN SERIOUS INJURY OR DEATH.