

Winch Mount Bracket

Model: DH-19

Description

The DH-19 Winch Mount Bracket is required to mount winches and retrieval units to the DH-3 Adjustable One Piece Mast. Can be used in conjunction with the DH-AB-MILLER, DH-AP-8 or alone, depending upon winch and design application.

Materials

General Construction: Extruded Aluminum
Finish (aluminum): Black Powder Coat
Hardware: Gr.5 Zinc Plated

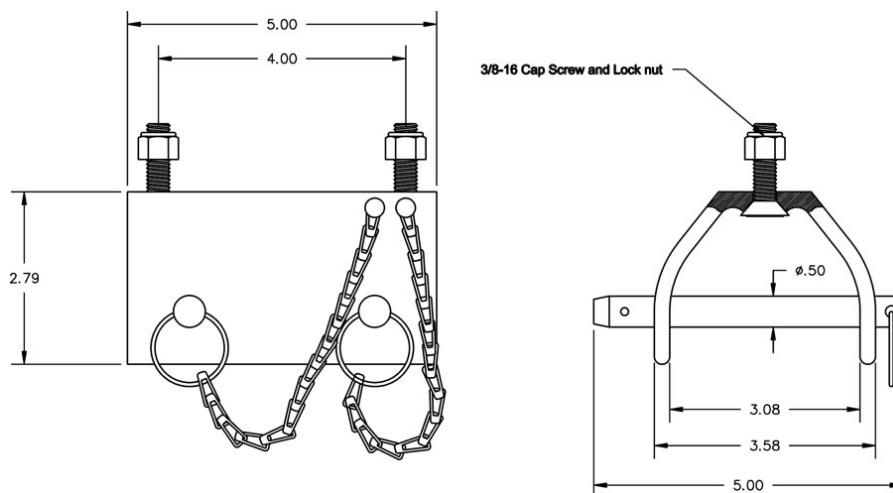
Technical

Working Load: 450lbs (204kg)
Tensile Strength: 5,000lbs (22kN)
Weight: 1.6lbs (.7kg)



Certification

Meets applicable ANSI Z359.1, A10.32 and OSHA 1910.146, 1926.502 requirements.



MILLER®

by Honeywell

Toll Free 800.873.5242 (press 4) • hsptechsupport@honeywell.com • www.millerfallprotection.com

⚠ WARNING! THIS DOCUMENT PROVIDES AN OVERVIEW OF FALL PROTECTION PRODUCTS AVAILABLE FROM HONEYWELL AND CARE HAS BEEN TAKEN TO ASSURE THE ACCURACY OF THE DATA. IT DOES NOT PROVIDE IMPORTANT PRODUCT WARNINGS AND INSTRUCTIONS. HONEYWELL RECOMMENDS ALL USERS OF FALL PROTECTION EQUIPMENT UNDERGO THOROUGH TRAINING, AND THAT ALL WARNINGS AND INSTRUCTIONS PROVIDED WITH THE PRODUCTS BE THOROUGHLY READ AND UNDERSTOOD PRIOR TO EACH USE. FAILURE TO READ AND FOLLOW ALL PRODUCT WARNINGS AND INSTRUCTIONS COULD RESULT IN SERIOUS INJURY OR DEATH.