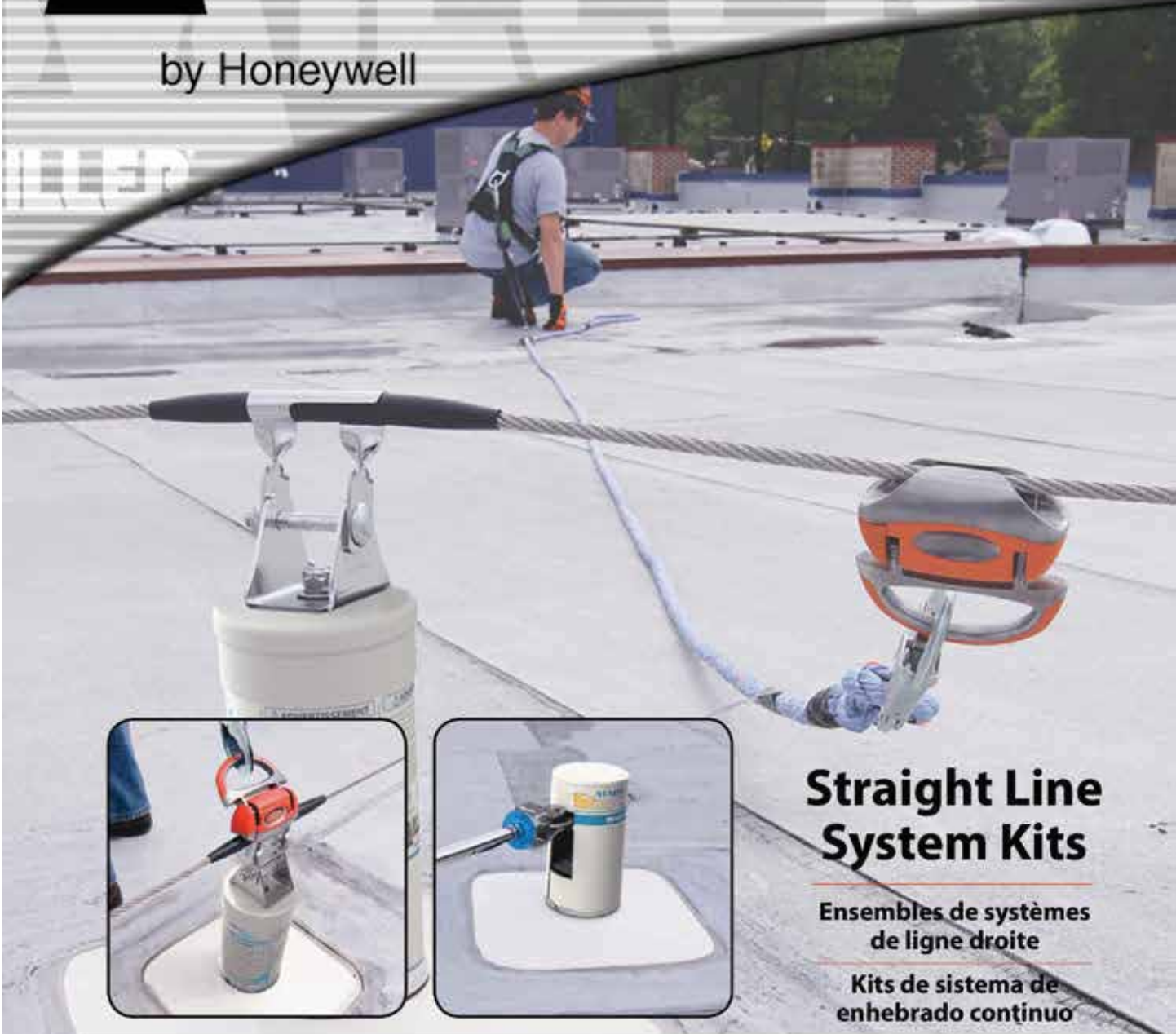


MILLER®

by Honeywell



Straight Line System Kits

Ensembles de systèmes de ligne droite

Kits de sistema de enhebrado continuo

ShockFusion™ Horizontal Lifeline Roof System Kits

Installer & User Instruction Manual

Manuel D'utilisation / Manual de Instrucciones para El Usuario

Table of Contents

1.0 Purpose.....	3
2.0 General Requirements, Warnings and Limitations.....	3-4
2.1 General Fall Protection Requirements	
2.2 Warnings and Limitations	
3.0 ShockFusion Horizontal Lifeline Roof System Kit Components and System Layout.....	5-9
3.1 Kit Components	
3.2 Kit Number Breakdown	
3.3 Quick System Layout	
4.0 Installation of ShockFusion Horizontal Lifeline Roof System.....	10-28
4.1 Tensile and Shear Strength Requirements	
4.2 Post to Base Assembly	
4.3 Base Installation	
4.3.1 Installation of Base to Standing Seam Roofs	
4.3.2 Installation of Base to Metal Sheathing	
4.3.3 Installation of Base to Membrane and Built-up Roofs	
4.3.4 Installation of Base to Wood Sheathing Roofs	
4.3.5 Installation of Base to Concrete Roofs	
4.4 Horizontal Lifeline Assembly and Installation	
4.4.1 Assembly of Horizontal Lifeline Components and Installation to Roof Post System	
4.5 System Tag Completion	
4.6 Installation Inspection	
5.0 Use of the ShockFusion Horizontal Lifeline Roof System.....	29
5.1 Connecting to and Using the Horizontal Lifeline	
6.0 Training.....	30
7.0 Inspection and Maintenance.....	30-31
7.1 Inspection	
7.2 Cleaning and Storage	
7.3 Servicing	
Labels.....	92
Inspection and Maintenance Log.....	93

Instructions D'utilisation - Français.....	32-61
Instrucciones Para El Usuario - Español.....	62-91

Thank You

Thank you for your purchase of Miller Fall Protection equipment. Miller brand products are produced to meet the highest standards of quality at our ISO 9001 certified facility. Miller Fall Protection equipment will provide you with years of service when cared for properly.

WARNING

All persons using this equipment must read, understand and follow all instructions. Failure to do so may result in serious injury or death. Do not use this equipment unless you are properly trained.

Questions? CALL
1.800.873.5242

It is crucial that the authorized person/user of this equipment read and understand these instructions. In addition, federal law requires employers to ensure that all users are trained in the proper installation, use, inspection, and maintenance of fall protection equipment. Fall protection training should be an integral part of a comprehensive safety program.

Proper use of fall arrest systems can save lives and reduce the potential of serious injuries from a fall. The user must be aware that forces experienced during the arrest of a fall or prolonged suspension may cause bodily injury. Consult a physician if there is any question about the user's ability to use this product. Pregnant women and minor children must not use this product.

1.0 Purpose

The ShockFusion Horizontal Lifeline Roof System is an advanced surface-mounted horizontal lifeline system for rooftop applications that is now available in customer-specified, straight line kits. The kits are comprised of energy-absorbing ShockFusion End Roof Posts, tip-over Fusion Intermediate Roof Posts, versatile base attachments to accommodate a variety of roof structures, and a selection of high-quality lifeline components. The ShockFusion Roof System minimizes deflection in the lifeline to effectively manage system forces and maintain a safe connection to a variety of roof designs. These kits can be installed to standing seam, metal sheathing, wood, concrete, membrane and built-up roofs.

The ShockFusion Horizontal Lifeline Roof System components meet the design requirements as set forth in OSHA 1926.502, OSHA 1910.66, ANSI A10.32-04, ANSI Z359.6 and CSAZ259.16-2004. Please note, however, that the system as a whole once installed must be deemed to be in compliance with these standards by a qualified person. Additional documentation specific to the installation is required. Please reference the standards for applicable requirements.

2.0 General Requirements, Warnings and Limitations

2.1 General Fall Protection Requirements

All warnings and instructions shall be provided to authorized persons/users. Warnings and instructions must be read and understood prior to using this equipment.

All installers and authorized persons/users must reference the regulations governing occupational safety, as well as applicable standards.

Proper precautions should always be taken to remove any obstructions, debris, material, or other recognized hazards from the work area that could cause injuries or interfere with the operation of the system.

All equipment must be inspected before each use according to the manufacturer's instructions.

All equipment should be inspected by a qualified person on a regular basis.

To minimize the potential for accidental disengagement, a competent person must ensure system compatibility.

Equipment must not be altered in any way. Repairs must be performed only by the equipment manufacturer, or persons or entities authorized, in writing, by the manufacturer.

Any product exhibiting deformities, unusual wear, or deterioration must be immediately discarded.

Any equipment subject to a fall must be removed from service.

The user shall have a rescue plan and the means at hand to implement it when using this equipment.

Never use fall protection equipment for purposes other than those for which it was designed. Fall protection equipment should never be used for towing or hoisting.

Never remove product labels, which include important warnings and information for the authorized person/user.

2.2 Warnings and Limitations

ShockFusion Selection Guide

(<https://www.millerfallprotection.com/shockfusionkits>)

Every ShockFusion Horizontal Lifeline Roof System Kit is designed and generated by the customer inputs provided in the web-based ShockFusion Selection Guide. The website uses the inputs to create the kit bill of materials and provides necessary set-up information, such as the system installation height (based on fall clearance), the distance from the edge at which the system must be installed, the number of intermediate posts, the distance required between roof posts, and maximum span length. It also calculates the lifeline capacity ratings, specifies the type and length of the approved connecting device(s), and provides the fall clearance required for the system (including the distance of the closest fall hazard). **It is imperative that the installers and users of this system know and have access to this information, which was specifically generated for this horizontal lifeline system kit.** Please refer to the ShockFusion Selection Guide and sections 3.2 and 3.3 of this manual for further details. Do not use this horizontal lifeline system if the system tag (LB1290) is not completed and affixed to the system (see section 4.5 of this manual). If any information originally generated by the ShockFusion Selection Guide has been misplaced, return to the website and reinput the same information that was used to create the kit to regenerate any necessary information and calculations.

System Compatibility

The ShockFusion Horizontal Lifeline Roof System is designed for use with Honeywell-approved components. Substitution or replacement with non-approved component combinations, sub-systems, or both, may affect or interfere with the safe function of each other and endanger the compatibility within the system. This incompatibility may affect the reliability and safety of the total system.

Honeywell requires the use of a Honeywell-approved full-body harness and Honeywell-approved shock-absorbing lanyard or the Miller Turbo T-BAK™ Tie-Back Personal Fall Limiter with this system. All instructions and warnings provided with the body wear and connecting device must be read and understood before using the equipment.

Limits of Use

The ShockFusion Roof Posts are designed to be used as the end anchorages for a ShockFusion Horizontal Lifeline Roof System Kit. It must never be used as a single anchorage point for a personal fall arrest system.

The Fusion Roof Post is designed to be used as an intermediate anchorage post within the ShockFusion Horizontal Lifeline Kit, but also may be used as a single anchorage point for a personal fall arrest system when the D-bolt anchor is attached. Always read, understand and follow the Fusion Roof Anchor Post instructions when using as a single anchorage point. Do not use the Fusion Roof Post as an end anchorage in a horizontal lifeline application unless approved by Honeywell Safety Products.

The ShockFusion and Fusion Posts are engineered for temporary or permanent installation and must always be installed in an upright position.

Capacity

The maximum lifeline system capacity varies by system configuration. In addition, maximum capacity per span is affected by the span length and connecting device being used with the system. Refer to the Capacity Ratings generated by the ShockFusion Selection Guide.

Permissible Direction of Loading

It is permissible to work on either the inside or outside of the lifeline system.

Free Fall

Personal fall arrest systems must be rigged to limit a free fall to the shortest possible distance [6ft (1.8m) maximum].

Fall Arrest Forces

The ShockFusion Roof System is uniquely engineered to absorb energy minimizing fall arrest forces imposed on the worker and the structure.

Fall Clearance

Ensure that adequate clearance exists in the potential fall path to avoid striking a lower level or other object. The potential for a swing fall must be minimized. Refer to the fall clearance calculations and related information generated by the ShockFusion Selection Guide.

System Requirements

The Horizontal Lifeline System shall be designed, installed and used, under the supervision of a qualified person, as part of a complete personal fall arrest system, which maintains a safety factor of at least two.

Anchorage Requirements

The roof structure that the ShockFusion Roof System is installed to must be capable of supporting a 5,000lb (22.2kN) static load in the direction of loading or meet OSHA requirements for a safety factor of two.

Anchorage requirements based on ANSI are as follows:

- For fall arrest systems, anchorages must withstand a static load of 5,000 lbs. (22.2kN) for non-certified anchorages or two times the maximum arresting force for certified anchorages.
- For travel restraint, anchorages must withstand a static load of 1,000 lbs. (4.5kN) for non-certified anchorages or two times the foreseeable force for certified anchorages.
- When more than one personal fall arrest system (PFAS) is attached to an anchorage, the above anchorage strengths must be multiplied by the number of PFASs attached to the anchorage.

In addition, the roof structure must be able to withstand the tensile and shear forces which may be imposed by the system (see 4.1 Tensile and Shear Strength Requirements).

The ShockFusion Roof System is designed for either flat or low slope roof structures with a maximum lifeline slope of 15 degrees (3:12 pitch). If the roof exceeds this slope, the eave ends can still be protected with a continuous lifeline providing proper footing is maintained; but, another form of fall protection must be used for the gables. Options include guard rail, single point anchor/twin leg lanyard, and rope lifeline/rope grab. These guidelines make the assumption that the roof can be safely traversed by workers without requiring a force against the connecting device to maintain footing or balance. Typically, applicable standards and/or site requirements will require systems such as toe boards for properly working on steep slope roof surfaces.

The ShockFusion Roof System, depending on base model, is compatible with most industrial roof designs, including standing seam, membrane, built-up, metal sheathing, trapezoidal, concrete and wood. For additional requirements regarding specific roof types, refer to 4.3 Base Installation. (Contact Honeywell Technical Service if there are additional questions regarding approved roof structures and applications.)

Environmental Hazards

Use of this equipment in areas where environmental hazards exist may require additional precautions to limit the possibility of injury to the user or damage to the equipment. Hazards may include, but are not limited to, extreme temperatures, caustic chemicals, corrosive environments, high voltage power lines, explosive or toxic gases, moving machinery, and sharp edges. Do not expose the equipment to any hazard which it is not designed to withstand. Consult the manufacturer in cases of doubt.

3.0 ShockFusion Horizontal Lifeline Roof System Kit Components and System Layout

3.1 Kit Components

ShockFusion End Roof Post
(X11009)



Swage Turnbuckle with
Tension Indicator (25114)
for Connection of Lifeline to
ShockFusion End Post



Cable Lifeline



Universal Intermediate Bracket
(X11014)
for Connection of Lifeline to
Fusion Intermediate Roof Posts



Fusion Intermediate Roof Post
(X11008)



Thimble and Cable Clips
(XP00001 & XP00002)
for Lifeline Termination



Anchor Shackle
(SGAS-SS)
for Connection of Lifeline
to ShockFusion End Post

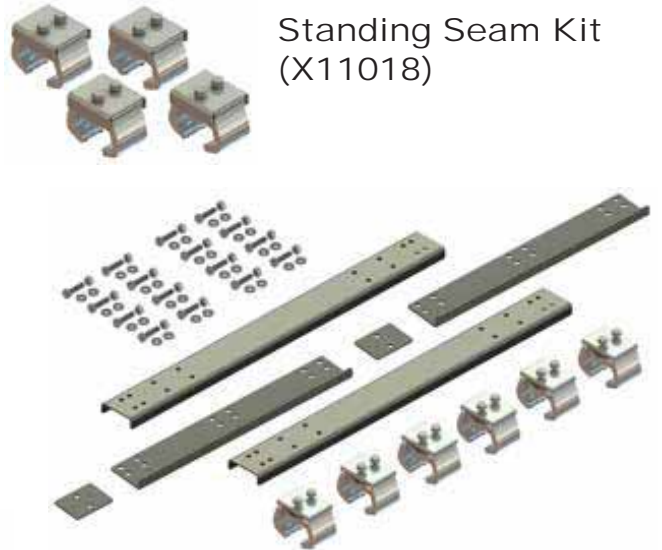
Xenon Automatic
Pass-Through Shuttle
(1005709)



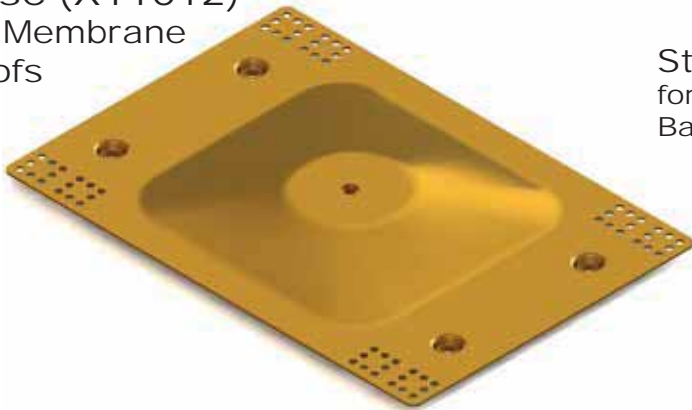
Large Base (X11011)
for Standing Seam Roofs



Standing Seam Kit
(X11018)



Base (X11012)
for Membrane
Roofs



Standing Seam Kit (X11020)
for up to 24 in. Spacing with Extension
Bars, Stiffeners, Shims and Clamp Assemblies

Toggle Bolt Kit
(X11004)
for Membrane Roofing
up to 5.5 in. Thick



Toggle Bolt Kit (X11005)
for Membrane Roofing > 5.5 in.
up to 10.5 in. Thick



Rivet Kit (X11003)
with Sealing Washers and Mastic Tape



Multipurpose Base (X11013)
for Metal Sheathing, Trapezoidal,
Wood and Concrete Roofs

Lag Screw Kit (X11006)



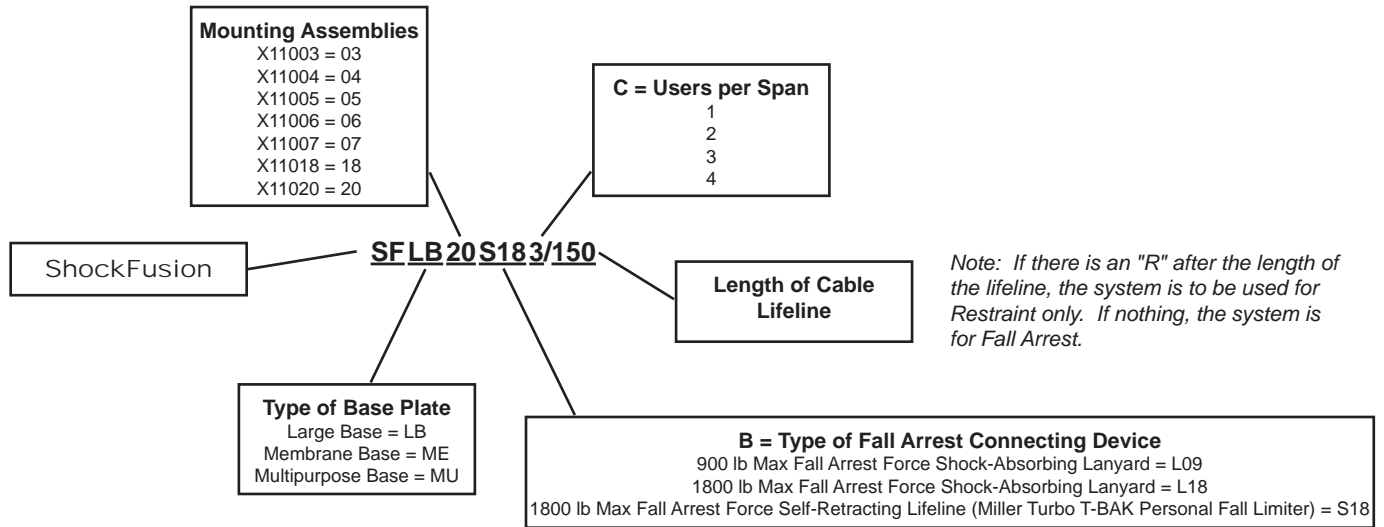
Concrete Expansion Bolt
Anchor Kit (X11007)



Roof Posts		Paired with Lifeline Connection Assemblies	Designed to Accommodate
X11008 Fusion Intermediate Roof Post	X11014 Universal Intermediate Bracket		Intermediate Horizontal Lifeline Connection for straight pass-through and curves of 5 degrees or less
X11009 ShockFusion End Roof Post	25114 Swage Turnbuckle with Tension Indicator		System End Horizontal Lifeline Connection with turnbuckle for tensioning lifeline and tension indicator
	XP00001 Thimble		System End Termination/Horizontal Lifeline Connection includes stainless steel thimble, 5/16" (8mm) wire rope clip, and 7/16" (11mm) stainless steel shackle with bolt, nut and cotter pin
	XP00002 Cable Clip		
	SGAS-SS Anchor Shackle		
Bases		Paired with Roof Mounting Assemblies	Designed to Accommodate
X11011 Large Base for Standing Seam Roofs	X11018 ShockFusion and Fusion Standing Seam Kit		Connection of ShockFusion End Post or Fusion Intermediate Post to standing seam spacing from 11.75 in. (298mm) to 21.25 in. (540mm)
	X11020 ShockFusion and Fusion Standing Seam Kit for up to 24 in. (610mm) spacing		Connection of ShockFusion End Post or Fusion Intermediate Post to standing seam spacing from 21.25 in. (540mm) to 24 in. (610mm)
X11012 Base for Membrane Roofs	X11004 Toggle Bolt Kit for Membrane Roofing up to 5.5 in. (140mm) thick		Connection of Fusion Intermediate Post or ShockFusion End Post through membrane, insulation and into metal sheathing, wood sheathing or concrete with a combined thickness of up to 5.5 in. (140mm)
	X11005 Toggle Bolt Kit for Membrane Roofing > 5.5 in. (140mm) up to 10.5 in. (267mm) thick		Connection of Fusion Intermediate Post or ShockFusion End Post through membrane, insulation and into metal sheathing, wood sheathing or concrete with a combined thickness of > 5.5 in. (140mm) up to 10.5 in. (267mm)
X11013 Multipurpose Base for Metal Sheathing, Trapezoidal, Wood and Concrete Roofs	X11003 Rivet Kit with Sealing Washers and Mastic Tape		Connection of Fusion Intermediate Post or ShockFusion End Post to metal sheathing with minimum thickness of 24 gauge (0.024 in. [0.61mm]) or trapezoidal spacing of 8 in. (203mm) to 20 in. (508mm) in 1 in. (25.5mm) increments
	X11006 Lag Screw Kit		Connection of Fusion Intermediate Post or ShockFusion End Post to plywood with minimum thickness of 5/8 in. (15.9mm) CDX
	X11007 Concrete Expansion Bolt Anchor Kit		Connection of Fusion Intermediate Post or ShockFusion End Post to concrete decking with minimum thickness of 6.5 in. (165mm) and minimum concrete compressive strength of 3000 PSI (20.7 MPa)
Lifeline		Paired with Shuttle	Designed to Accommodate
8mm7x7ss 8mm, 7x7 Stainless Steel Cable	1005709 Xenon Automatic Pass-Through Shuttle		System Horizontal Lifeline with 5/16 in. (8mm) diameter cable and Compatible Lifeline Shuttle for automatic pass-through of intermediate brackets

For additional information regarding component dimensions, materials of construction, etc., product specification sheets may be downloaded from www.millerfallprotection.com.

3.2 Kit Number Breakdown



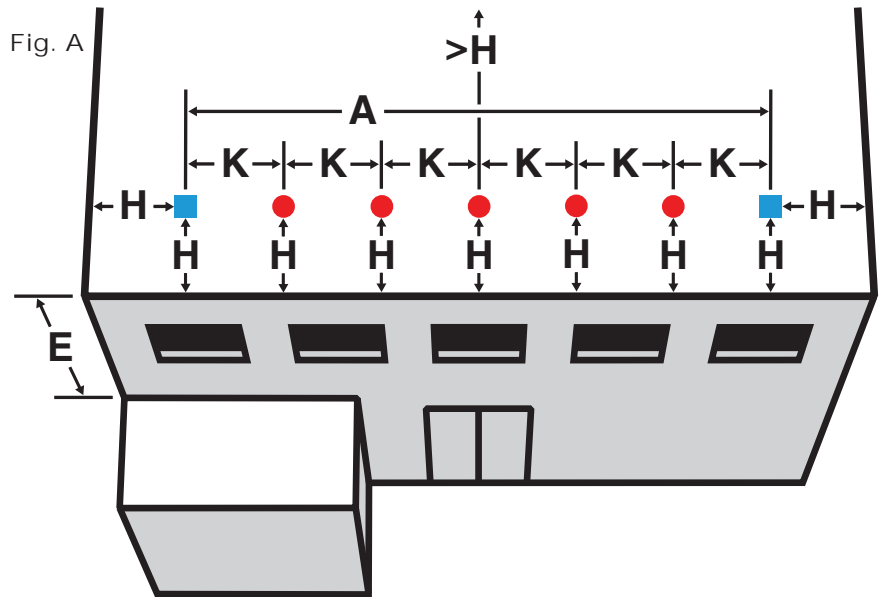
3.3 Quick System Layout

This Quick System Layout section of the manual will help the installer(s) quickly assess that all components for the customer-specified horizontal lifeline system kit are accounted for and to assist the installers to preliminarily set components in the correct order and placement for assembly and installation. Once the quick system layout has been completed, proceed to 4.0 Installation.

- Sort all components, and verify all parts and quantities with the bill of materials for your kit (refer to section 3.1 for component pictures, part numbers and descriptions). Fill in Kit Component Tally table below.

Kit Component Tally		
Part Number	Component	Quantity Included with Kit
X11009	ShockFusion End Roof Posts (2) J = ■	
X11008	Fusion Intermediate Roof Posts (varies by system kit) I = ●	
X11014	Universal Intermediate Brackets (one required for each Fusion Roof Post)	
	Cable Lifeline with Swage Turnbuckle w/Tension Indicator (1)	
XP00001	Thimble (1)	
XP00002	Cable Clips (3)	
SGAS-SS	Anchor Shackle (1)	
	Bases (one required for each ShockFusion and Fusion Roof Post - varies by system kit)	
	Roof Mounting Assemblies (one set required for each Base - varies by system kit)	
1005709	Xenon Automatic Pass-Through Shuttle (if applicable - not required for system installation)	

2) Figure A illustrates a generic layout for visual reference. Number of intermediate posts will depend on length of system and customer inputs specified for each system kit. This diagram should be referenced for component placement.



3) All customer-provided inputs that were used to create the horizontal lifeline system kit should also be used to complete this section of the quick system layout. The web-based ShockFusion Selection Guide generates all calculations needed....just fill in the following table with the original website specifications generated for your order. The installer should bring these instructions to the installation site.

<https://www.millerfallprotection.com/shockfusionkits>

↩ WEBSITE OR WEBSITE PRINT-OUT SHOULD BE USED TO FILL IN THIS SECTION ↪

Customer-Specified Inputs		
		Kit Number: _____
A =	ft.	Length Input >> Total length of the entire system must be less than (maximum building width – 2*H)
B =		Type of Fall Arrest Connecting Device 1. L09 = 900 lb. Max. Arrest Force Shock-Absorbing Lanyard 2. L18 = 1800 lb. Max. Arrest Force Shock-Absorbing Lanyard 3. S18 = 1800 lb. Max. Arrest Force Self-Retracting Lifeline (Miller Turbo T-BAK)
C =		Inputted Users per Span (1 – 4) >> A span is the distance between two consecutive intermediates or an intermediate and its adjacent end post (● to ●) or (● to ■)
D =	ft.	Maximum Length of Connecting Device >> The maximum length of the connecting device that connects the harness D-ring to the horizontal lifeline.
E =	ft.	Closest Fall Hazard below Working Level (the next level or closest obstruction below the working edge that may be in the potential fall path)
F =	ft.	Maximum Span Length
G =	ft.	Height/Distance (in feet) Required for Fall Clearance
H =	ft.	Minimum Distance (in feet) the horizontal lifeline must be installed away from any edge!
I = ●		Number of Intermediate Posts with this kit >> Fusion Intermediate Roof Posts
J = ■	2	Number of End Posts >> ShockFusion Roof Posts
K =	ft.	Distance between Posts
L =		Maximum Number of Users per System (complete kit)

4.0 Installation of ShockFusion Horizontal Lifeline Roof System

- Before installation, carefully inspect all components of the system according to the manufacturer's instructions (see 7.1 Inspection).
- Some system components may come preassembled. Installation instructions still must be followed to ensure all components are included and properly assembled. All fasteners and connectors must be checked for correct alignment and installation and tightened to required specifications.
- Hardware provided with product at the time of shipment must be used for proper installation. Do not use alternate hardware/parts unless approved by Honeywell Safety Products. All installation instructions must be followed, including any installation instructions provided with the hardware. Contact Honeywell Technical Service if there are any discrepancies.
- An engineer or qualified person must ensure that the roof structure to which the system is being installed meets all tensile and shear strength requirements as set forth in section 4.1.
- Contact Honeywell Technical Service at 800.873.5242 (press 4) if there are any questions about the installation requirements and/or procedures.

Tools Required for Installation

Standing Seam Roofs:	1/2" or 13mm wrench or socket
Membrane:	1/4" drill bit (up to 10.5in or 0.27m long), 1.25" drill bit, 1" drill bit, and a small magnet for inside the 17mm socket
Metal Sheathing:	1 drill bit between 0.257in (6.53mm) to 0.261in (6.63mm), rivet gun
Trapezoidal:	1 drill bit between 0.257in (6.53mm) to 0.261in (6.63mm), rivet gun
Wood:	1/4" drill bit, socket for lag screws
Concrete:	1/2" drill bit (4.75"), 3/4" socket wrench

3/4" or 19mm wrench or socket – to tighten top of intermediate brackets

11/16" or 17mm – to tighten intermediate bracket hardware

Gloves – to handle the cable

Pliers – to bend cotter pin

1/2" or 13mm socket for 3-cable clips to hold cable tension

3/4" or 19mm socket and wrench to tighten anchor shackle

Tie down ratchet strap – to pull tension on the horizontal lifeline

(2) 3-ft or 0.9m pieces of rope that can hold 400lbs (181.4kg) tensile strength – use in series with the tie down ratchet

Small pry bar – to keep thimble straight when tightening

Phillips screw driver with a shaft size smaller than 0.28" or 7mm – for adjusting turnbuckle

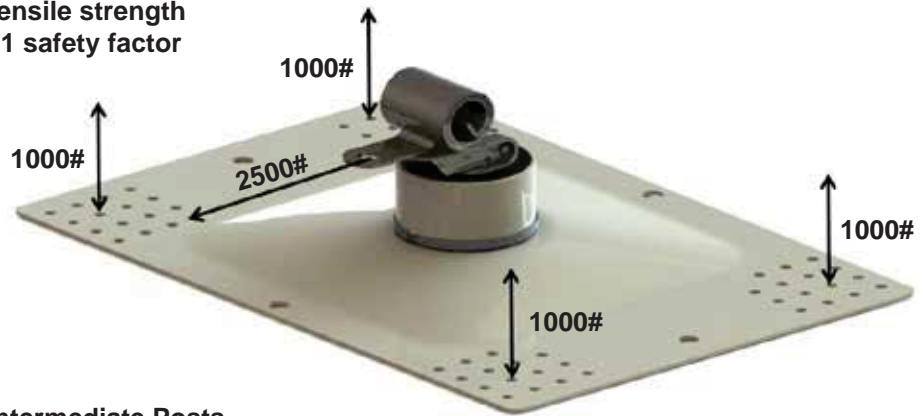
11/16" or 17mm wrench – after tensioning turnbuckle, tightening jam nuts into body of turnbuckle

4.1 Tensile and Shear Strength Requirements

An engineer or qualified person must ensure that the roof structure to which a ShockFusion System is installed is able to withstand potential tensile and shear forces which may be imposed at the locations where end and intermediate roof anchor posts are attached. The tensile and shear strength requirements are based on a 2:1 safety factor.

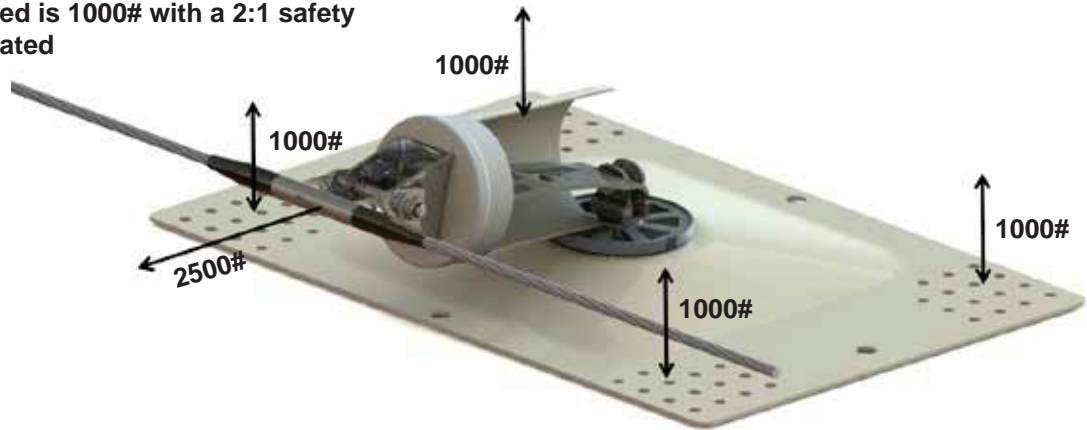
Tensile Force Distribution at End Posts

- Maximum tensile force at end posts is 500# per corner of base plate; tensile strength required is 1000# with a 2:1 safety factor incorporated



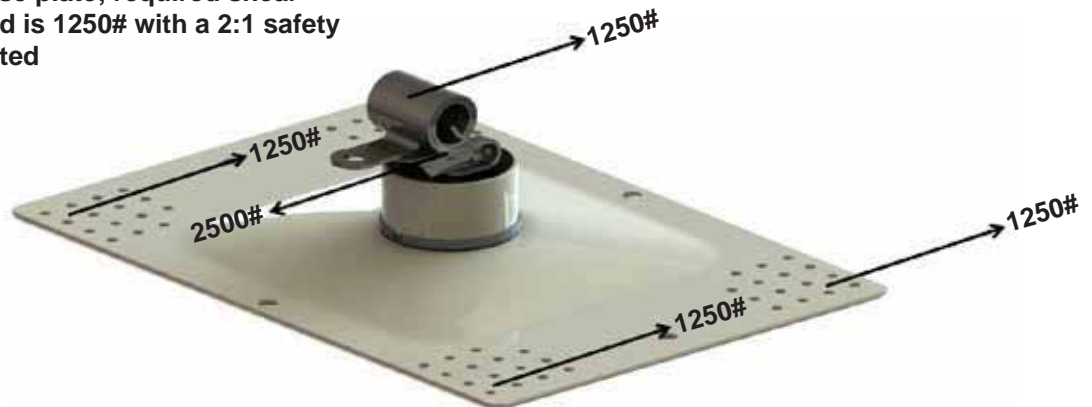
Tensile Force Distribution at Intermediate Posts

- Maximum tensile force at intermediate posts is 500# per corner of base plate; tensile strength required is 1000# with a 2:1 safety factor incorporated



Shear Force Distribution at All Posts

- Maximum shear force at each post is 625# per corner of base plate; required shear strength is 1250# with a 2:1 safety factor incorporated

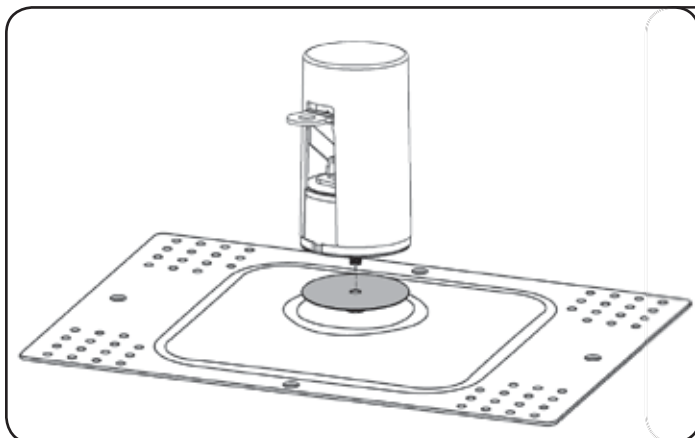
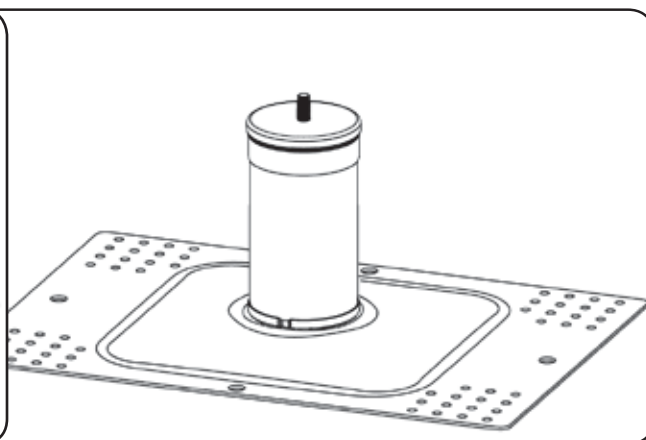
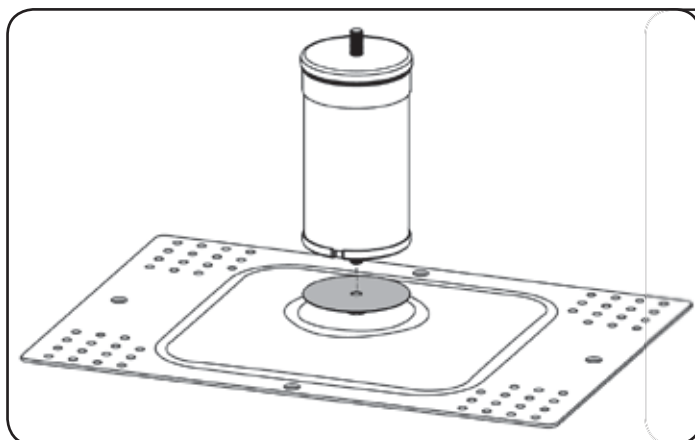
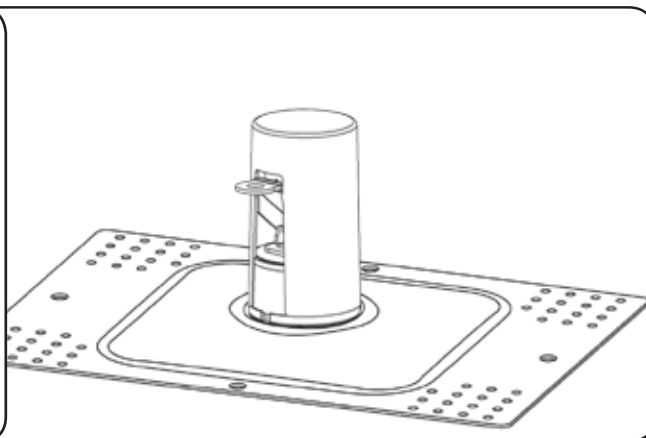


4.2 Post to Base Assembly

Post to Base Assembly

1. Set gasket on base aligning the center holes as shown in Fig. 1a.
2. Insert the bolt extruding from the bottom of the post through the gasket and base.
3. Tighten until snug against gasket and base.

Fig. 1a

Fig. 1b -
Completely Assembled

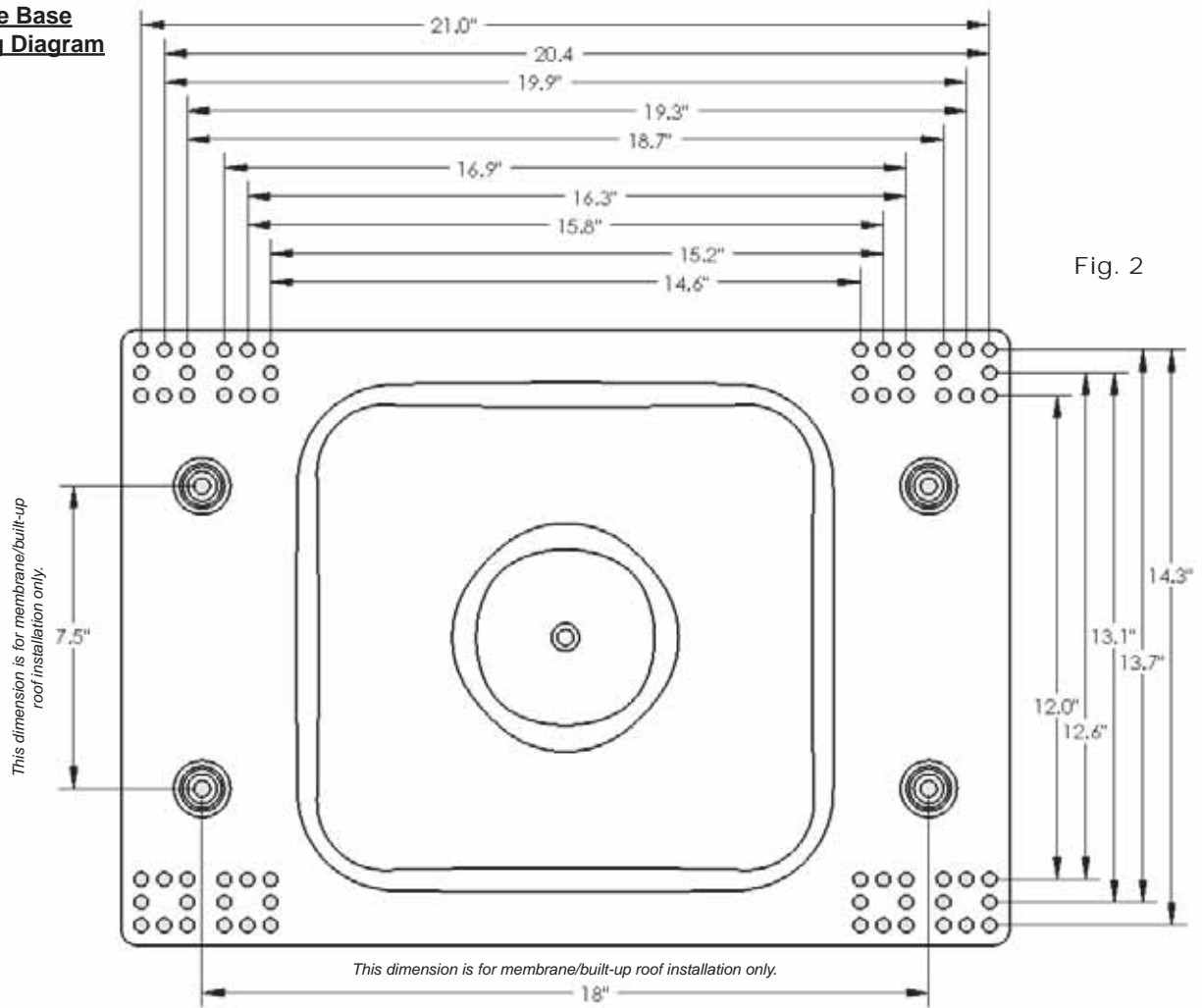
4.3 Base Installation

- Always follow a previously approved site plan and site work rules when installing a ShockFusion Horizontal Lifeline Roof System Kit.
- The roof structure to which the system is being installed must be capable of sustaining the load requirements as set forth in 2.2 System Warnings and Limitations.
- The ShockFusion Selection Guide generates the distance from the edge at which the specific customer system kit must be installed. It must be verified, however, that the roof structure at the point of installation is able to sustain the potential fall arrest loads. In addition, fall clearance and the connecting device to be used on the system must be considered.
- Proper precautions must be taken to ensure that the installer is not exposed to a fall hazard during the installation process.

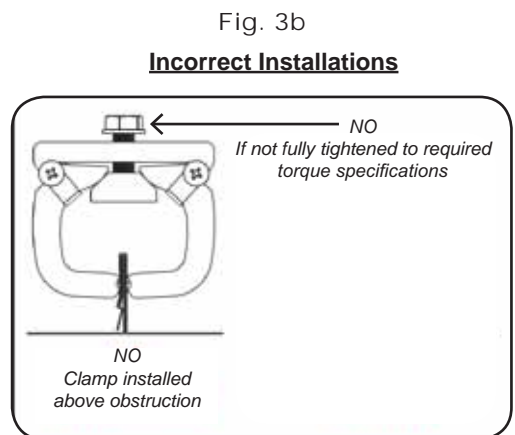
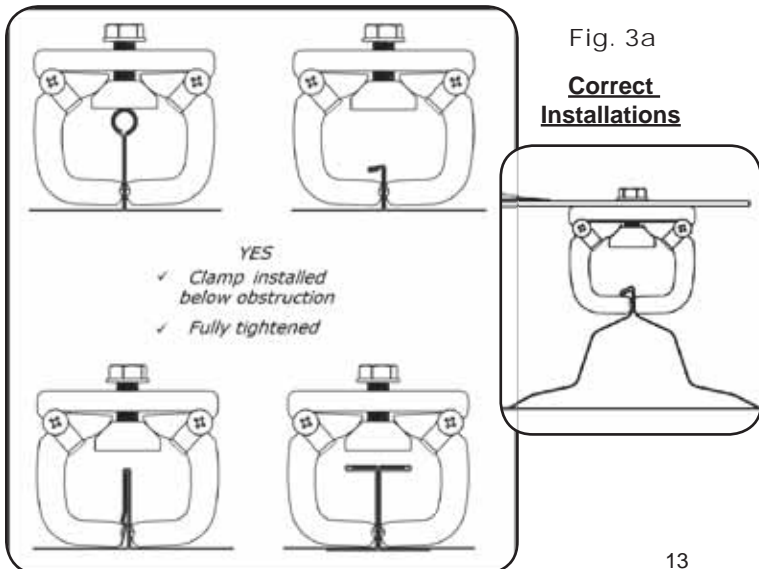
4.3.1 Installation of Base to Standing Seam Roofs (Model X11011)

Standing seam spacing of roof must be determined before attaching clamp assemblies to large standing seam base. Refer to the Large Base Spacing Diagram (Fig. 2) for help in determining the rows needed to create the spacing required for the standing seam roof. Remember that the clamp assemblies are designed to self-center allowing spacing to be off-set slightly. Clamp assemblies may be installed to any two of the corner 0.34in (8.64mm) diameter mounting holes in a row at each of the four corner locations to accommodate the maximum number of standing seam roofs with various spacing requirements. Optional extension bars may be used for additional spacing needs.

Large Base Spacing Diagram



Due to the large number of standing seam roof styles, the following illustrations are provided to set guidelines for establishing a correct and secure installation. As a general rule, the clamp assemblies should always be installed to the standing seam as far down as possible below an obstruction (the seam must not be narrower above where the clamp is closed on the seam). Do not install to sloped portions of a standing seam as the clamp may have the potential to slip. If there are any questions about proper installation to a particular standing seam roof style, contact Honeywell Technical Service.



For ShockFusion Roof System Kits, the ShockFusion End Roof Posts and Fusion Intermediate Roof Posts are installed to standing seam roofs using the same roof mounting assemblies.

Installation of Large Base - Model X11011 for ShockFusion End Roof Posts and Fusion Intermediate Roof Posts

1. Once standing seam spacing has been determined, attach one capped clamp assembly (X11018) to each of the four corners of the base as shown in Fig. 4a. Install each bolt completely through the washer and base mounting hole and into the corresponding hole in the clamp assembly bar. Do not tighten until the base is set on the standing seam roof.
2. Place base with open clamp assemblies over the standing seams and proceed with closing and tightening clamp assemblies. Clamp assemblies are designed to self-center for proper alignment. Standing seam roofs differ, but in all cases the clamps must close below the seam obstruction to ensure that they are properly secured and will not slip (see Fig. 3a). Torque clamp assemblies to 40ft.lbs. (54Nm), alternating bolts until all bolts have achieved the correct torque value. *Note: Once the first bolt has reached 40ft.lbs. (54Nm), do not tighten the other three bolts more than three times each.*

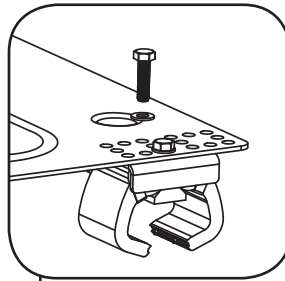


Fig. 4a

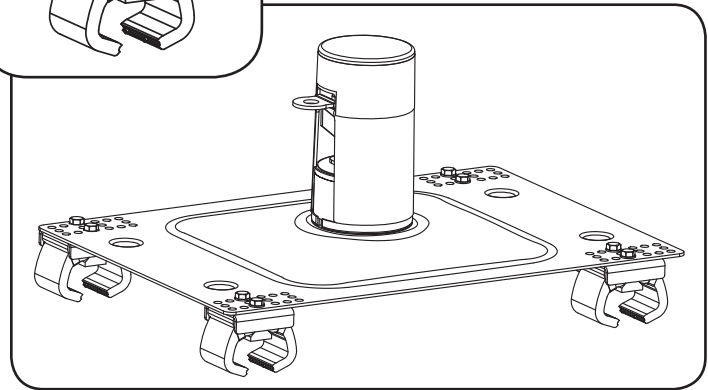


Fig. 4b

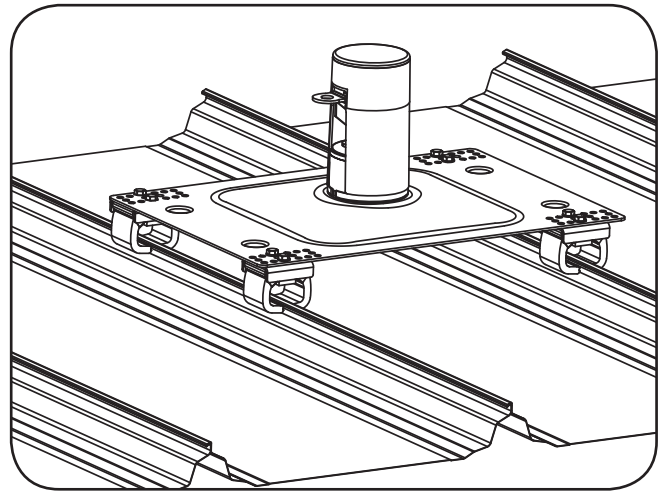


Fig. 4c - Completely Installed

For ShockFusion Roof System Kits, the ShockFusion End Roof Posts and Fusion Intermediate Roof Posts are installed to standing seam roofs using the same roof mounting assemblies.

**Using Extension Bars - Model X11020
with Large Base - Model X11011
for ShockFusion End Roof Posts
and Fusion Intermediate Roof Posts**

For standing seam roofs with spacing greater than 21.25in (540mm) and up to 24in (610mm), extension bars may be added to the base.

1. Place extension bar on the underside of base, aligning holes in base with those on the extension bar.
2. Attach hardware as shown in Fig. 5a. Insert each bolt through washer, base and extension bar and attach washer and nut on the underside. Four bolts must be used on each end of the extension bar (for a total of eight bolts) for proper installation.
3. Repeat procedure for extension bar on opposite side of base. Torque extension bar hardware to 20ft.lbs. (27Nm).
4. Once standing seam spacing has been determined, attach clamp assemblies to extension bars using the included stiffener bars, shims and hardware as shown in Fig. 5b. For the clamp assemblies located at the ends of each extension bar, install each bolt (two per clamp assembly) completely through the washer and corresponding holes in the stiffener bar (placed horizontally across the ends of both extension bars), extension bar and clamp assembly bar. For the additional two clamp assemblies attached in the center of the stiffener bars at each end of the base, install each bolt completely through the washer and corresponding holes in the stiffener bar, shim and clamp assembly bar. A total of six clamp assemblies are required for proper installation of the large base with extension bars. Do not tighten until the base is set on the standing seam roof.
5. Place base with open clamp assemblies over the standing seams and proceed with closing and tightening clamp assemblies. Clamp assemblies are designed to self-center for proper alignment. Standing seam roofs differ, but in all cases the clamps must close below the seam obstruction to ensure that they are properly secured and will not slip (see Fig. 3a). Torque clamp assemblies to 40ft.lbs. (54Nm), alternating bolts until all bolts have achieved the correct torque value. *Note: Once the first bolt has reached 40ft.lbs. (54Nm), do not tighten the other three bolts more than three times each.*

Fig. 5a

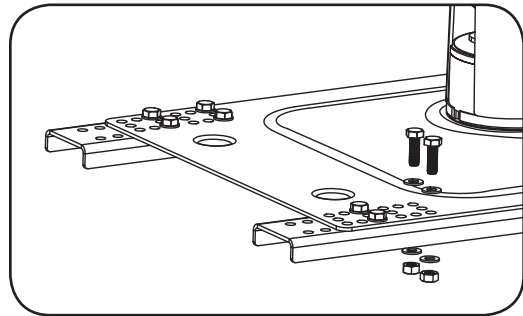


Fig. 5b

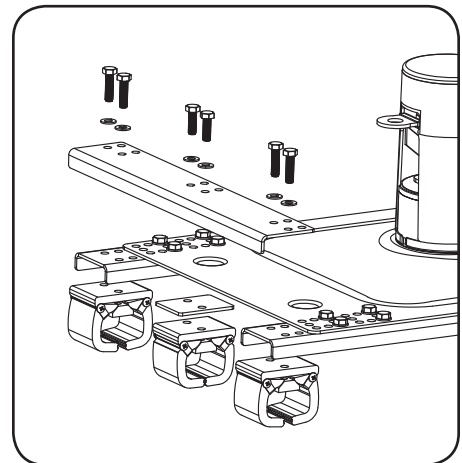
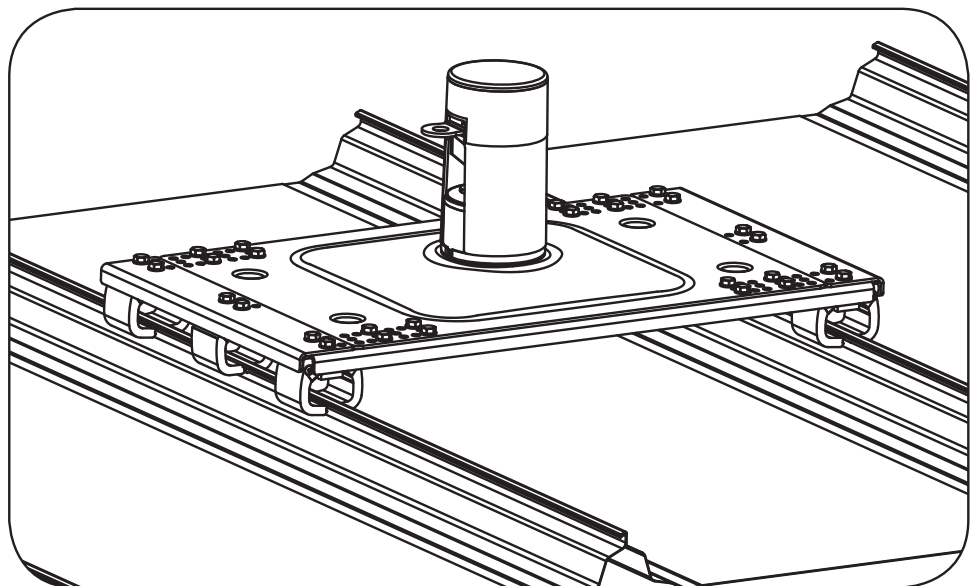


Fig. 5c - Completely Installed



4.3.2 Installation of Base to Metal Sheathing (Model X11013)

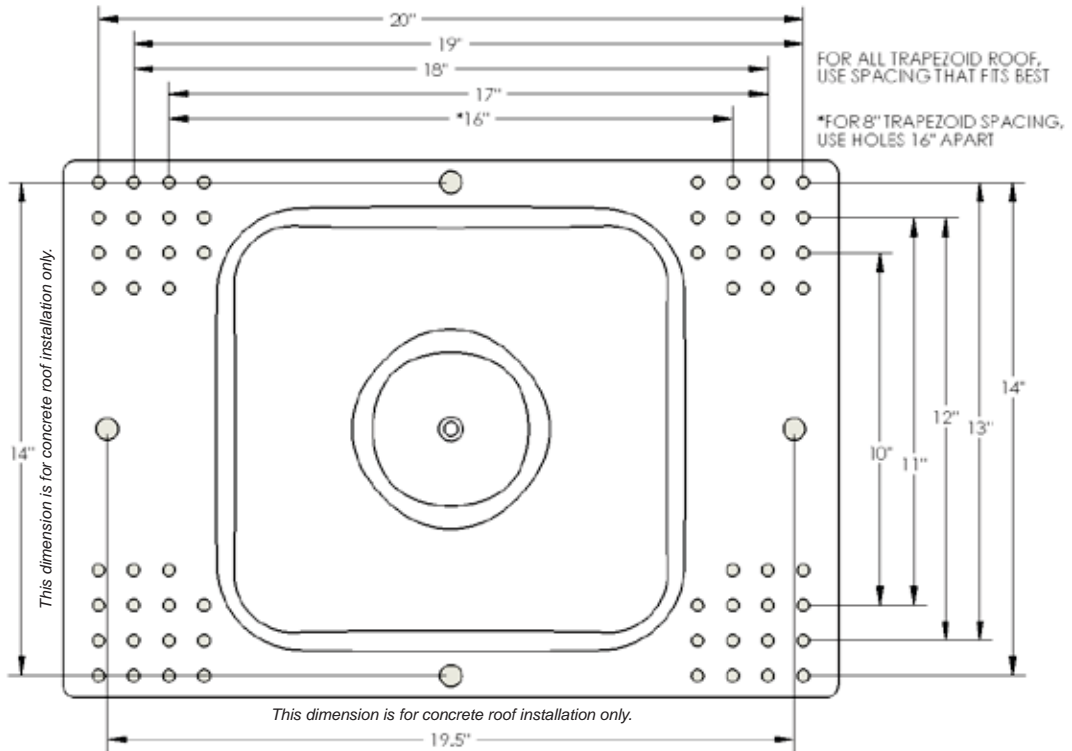
Model X10013 (multipurpose base) anchors to flat metal sheathing as well as trapezoid profile/ribbed metal roofs. Use with ShockFusion End Roof Posts or Fusion Intermediate Roof Posts does not affect installation of base to metal sheathing.

Multipurpose Base - Model X11013

1. Position the base on metal decking such that a row of 0.34in (8.64mm) diameter mounting holes aligns with decking ribs at each of the four base plate corners as shown in Fig. 7a. Refer to spacing diagram (Fig. 6) if needed. Mounting holes must be centered on decking rib crowns. Never align mounting holes over the rib valleys or on the sloped sides of the decking ribs.
2. With the base in position, drill four 0.257in (6.53mm) to 0.261in (6.63mm) diameter pilot holes in a row through the decking ribs at each of the corner mounting locations for a total of 16 holes.
3. Remove the base and place a length of mastic tape over each set of pilot holes.
4. Reposition the base on the metal decking aligning the pilot holes with the mounting holes on the base plate. Install each of 16 rivets through a sealing washer and the corresponding base mounting hole and into the mastic tape and pilot holes in the decking ribs using an appropriate riveting tool.

WARNING: All sixteen (16) rivets with sealing washers must be used to secure the base properly.

Fig. 6



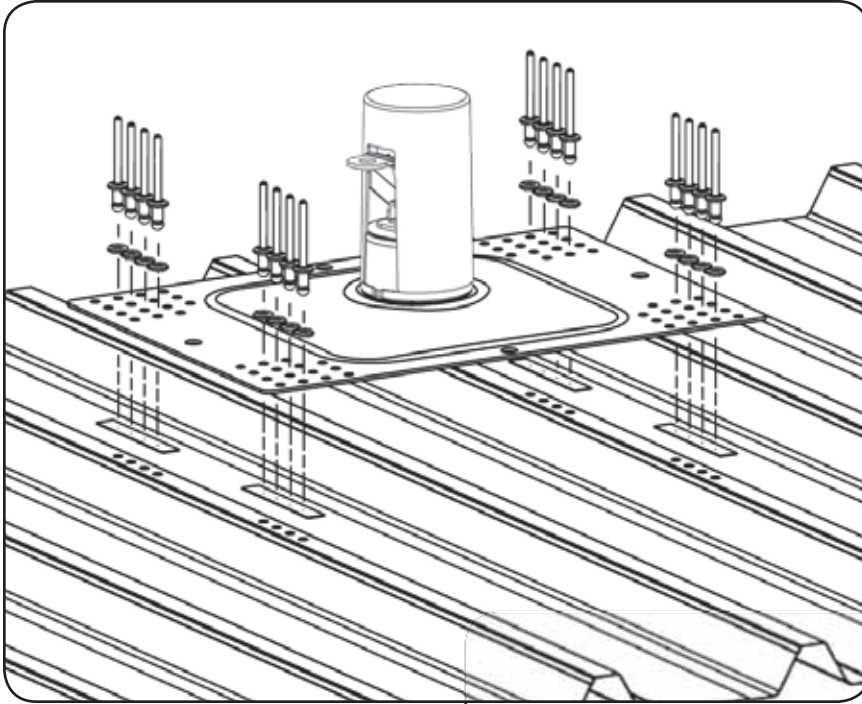
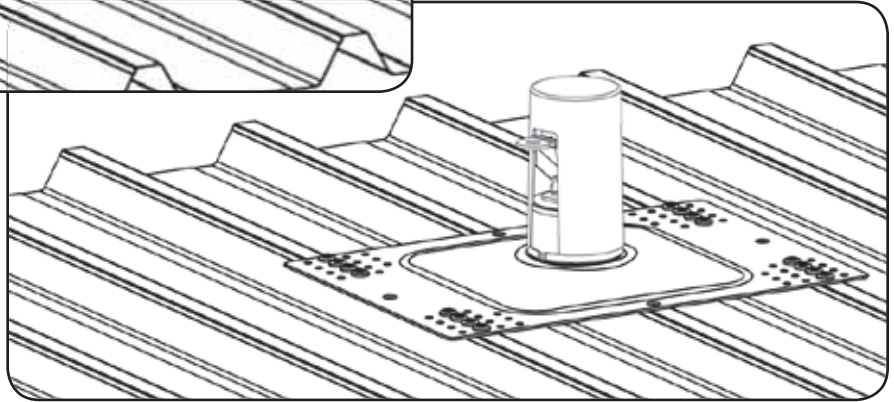


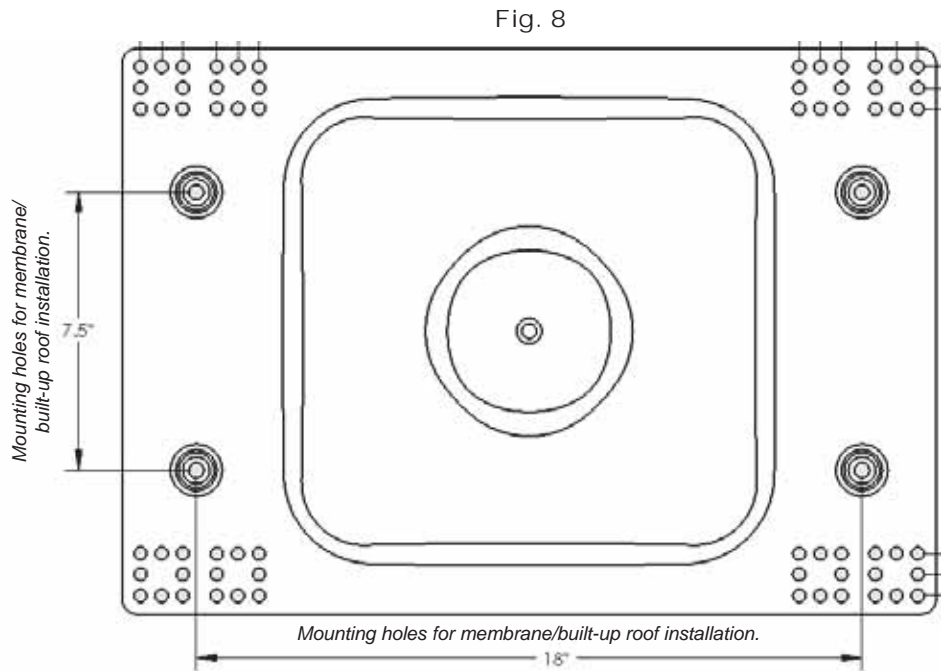
Fig. 7a

Fig. 7b -
Completely Installed



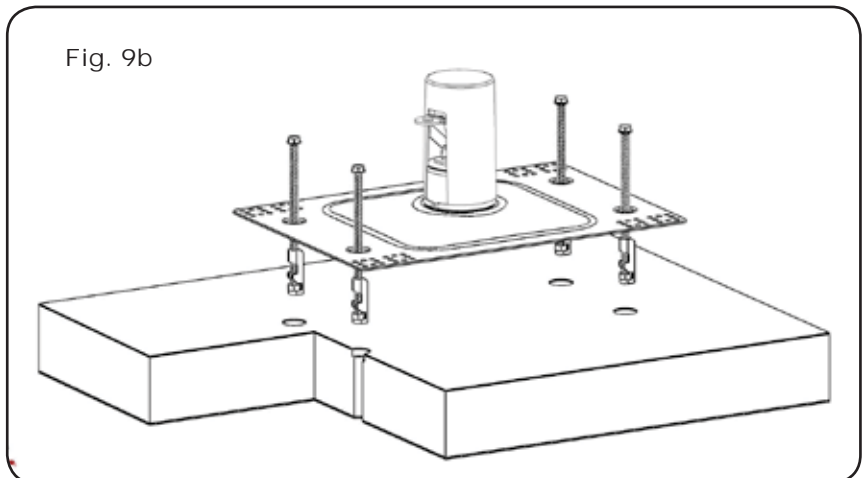
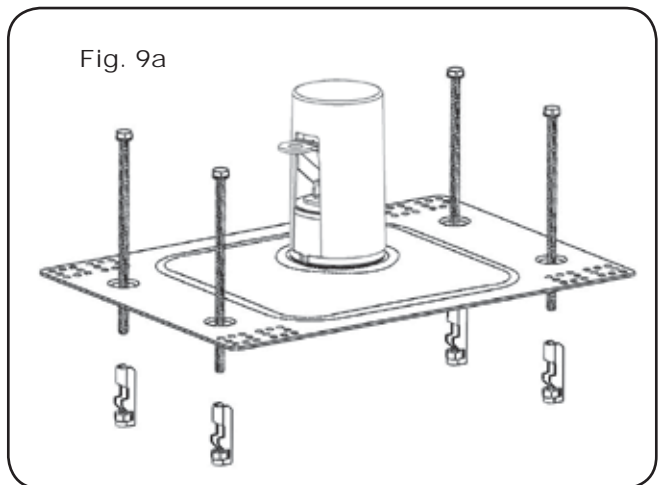
4.3.3 Installation of Base to Membrane and Built-up Roofs (Models X11012)

Base Model X11012 is designed for installation to flat membrane covered or built-up roofs. Model X11004 is a toggle bolt kit for membrane/built-up roofs with a combined thickness of up to 5.5in (140mm), while Model X11005 is a toggle bolt kit for combined roof thicknesses between 5.5in (140mm) and 10.5in (267mm). Use with ShockFusion End Roof Posts or Fusion Intermediate Roof Posts does not affect installation of base to membrane or built-up roofs.

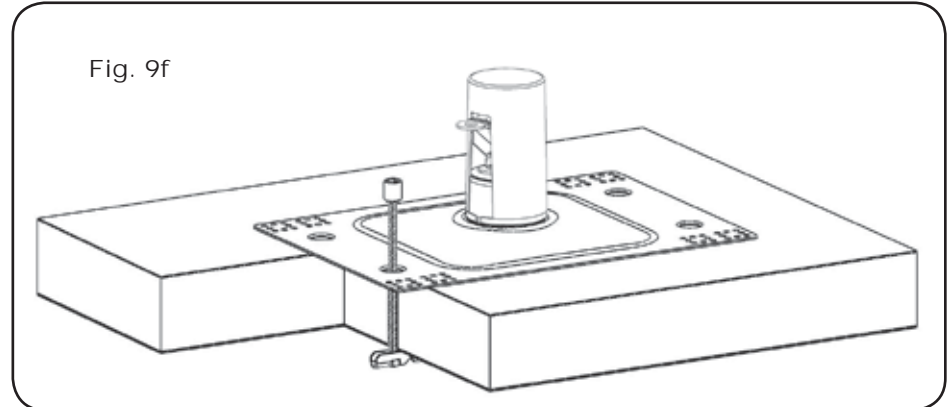
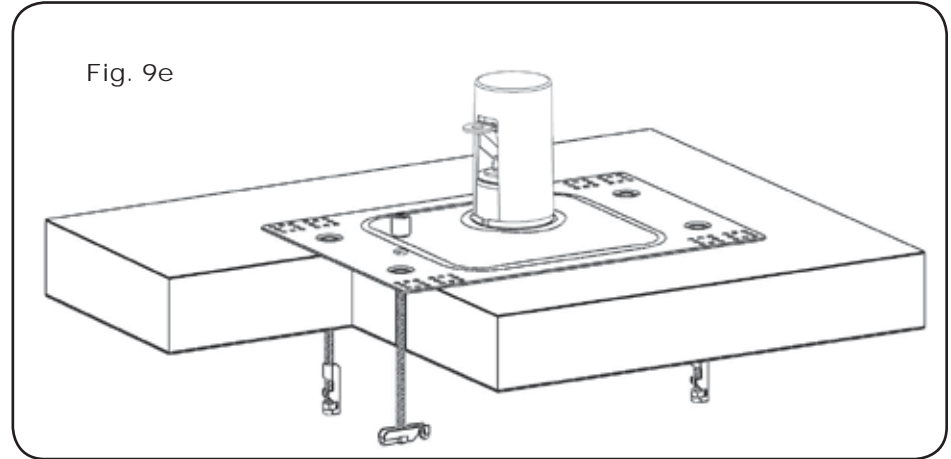
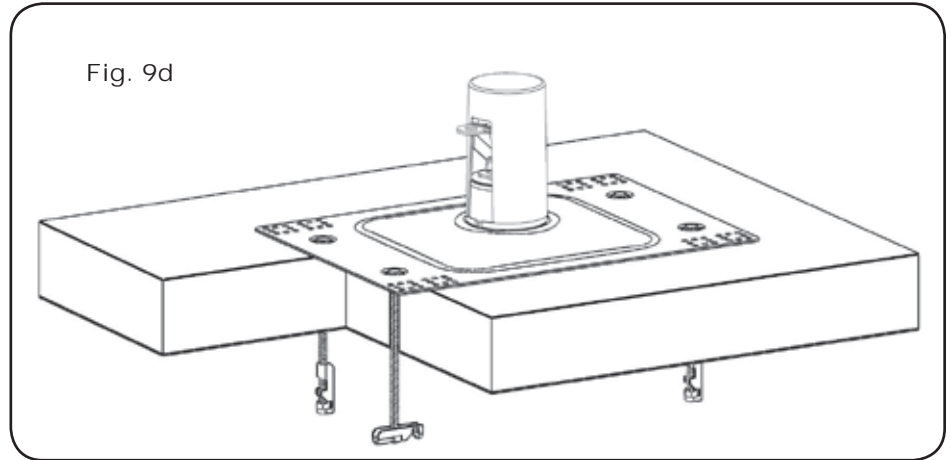
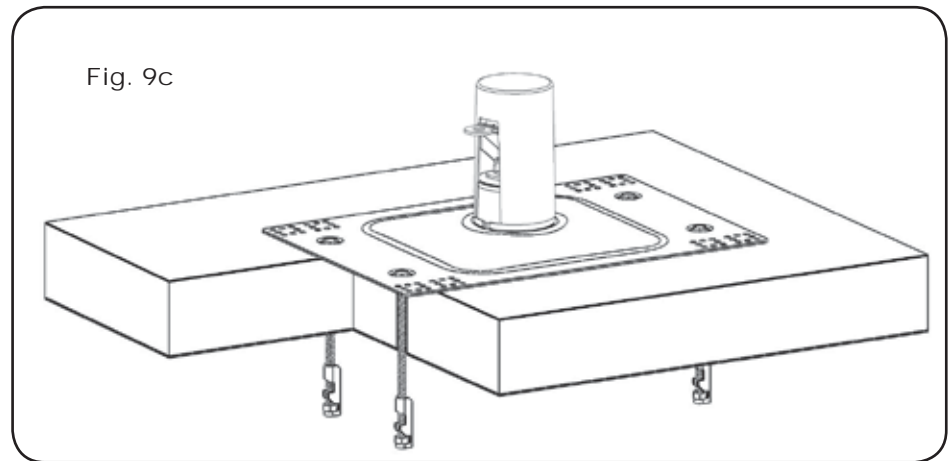


1. Position the base at the desired location on the roof.

Note: All four mounting holes must be located over the roof decking. Be careful that mounting holes are not located directly over a structural roof support or beam that may interfere with toggle installation. Refer to the spacing diagram (Fig. 8) if needed. When ribbed metal decking is a component in the membrane or built-up roof, the toggle bolts must be located either on the flat crown surface or the flat valley surface, but must not be located on the sloped rib surface.
2. With the base in position, use the base as a template to mark the four mounting hole locations.
3. Remove base and drill test holes with a long 1/4in (6.35mm) drill bit to ensure proper placement of the toggle bolts to ribbed decking. The drill will deflect if a sloped rib surface is hit; in which case, the base must be repositioned, mounting holes remarked and new test holes drilled until an approved installation location is found.
4. Once test holes are successfully drilled, set the base aside and drill four 1.25in (31.75mm) diameter holes through the membrane and into the insulation 1in (25.4mm) deep. This hole acts as a counter bore to properly seat the roof anchor.
5. Then drill four 1in (25.4mm) diameter holes in the center of each previously drilled counter bore hole through the insulation and into the roof decking.
6. Assemble toggle and nut together and place below base plate (see Fig. 9a). Insert bolt through plate and thread into nut until fully engaged (see Fig. 9b). Do not leave more than one thread exposed beyond nut as that will interfere with the toggle function. Do the same for the other three toggles.



7. After toggle/nut/bolt are assembled to plate, place over predrilled holes and insert into roof (see Fig. 9c).
8. Shake toggle several times to flip into horizontal position (see Fig. 9d). Check by lifting toggle bolt assembly to make sure toggle is flipped and does not come up through holes.
9. Place magnet into 17mm socket (see Fig. 9e). Place socket over bolt and use drill/driver to lift toggle until contact is made with the bottom of the roof (see Fig. 9f).
10. Apply upward force to keep toggle stationary while tightening toggle bolt with drill/driver.



11. Once toggle is fully drawn up and seated (see Fig. 9g and 9h), torque to approximately 10-15 ft.lbs (14-20Nm). Repeat for other three toggle bolt assemblies.
12. Apply sealant around each bolt head. Fill entire open area in the counter bore of each of the four holes. Over filling is advised as it will protect against wear of the bolt into the membrane due to foot traffic.
13. Place membrane gasket around base plate and seal all edges with roof sealant.

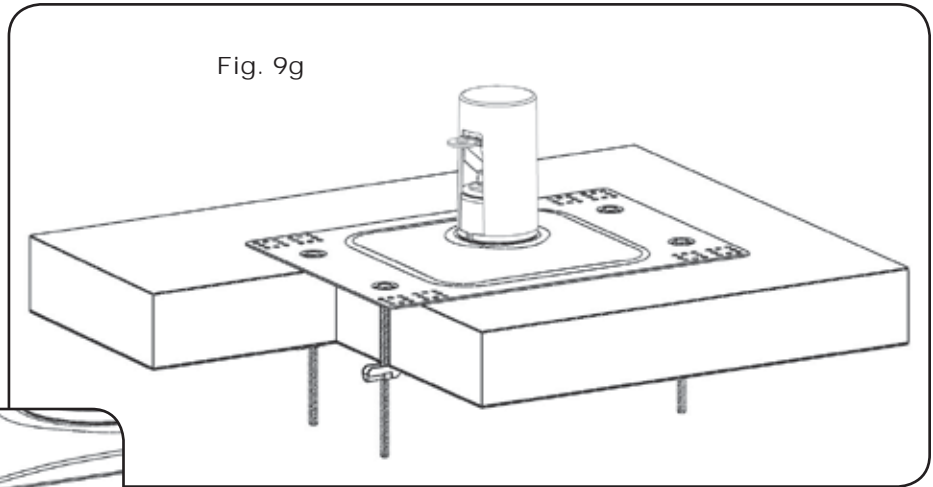


Fig. 9g

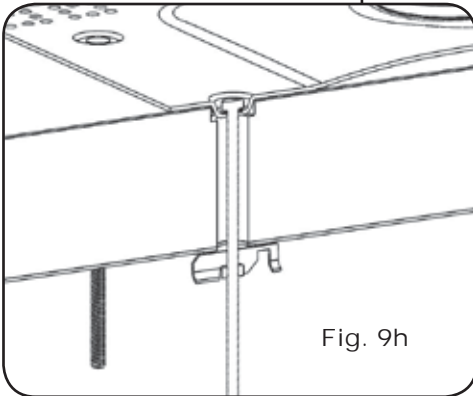


Fig. 9h

Note: A roofing contractor approved for servicing the membrane should be used to properly weatherproof the roof anchor post once installed.

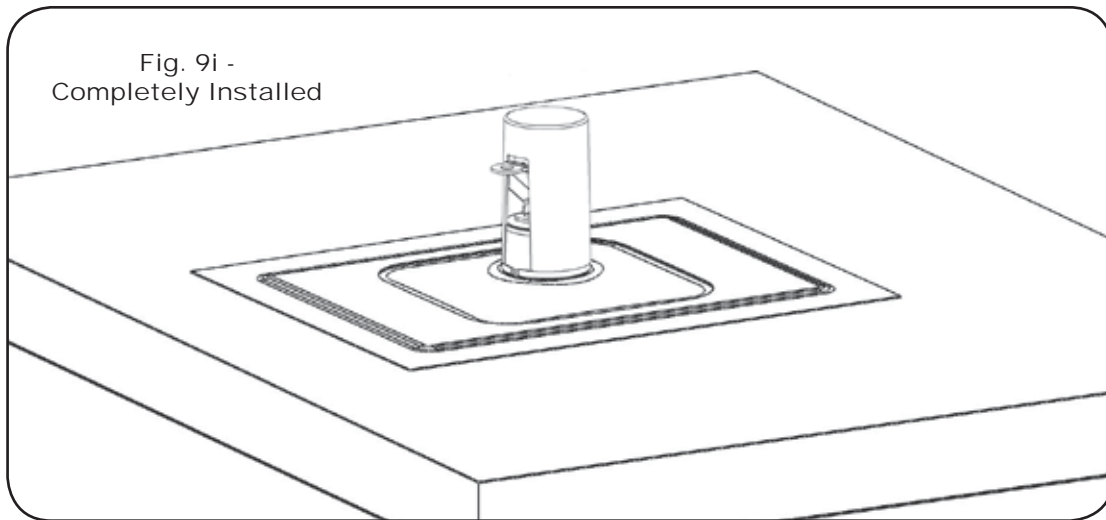


Fig. 9i -
Completely Installed

4.3.4 Installation of Base to Wood Sheathing Roofs (Model X11013)

Base Model X11013 is also designed to be installed to plywood roof decking. For installations where roof membrane, insulation, or other roofing materials cover the plywood decking, use Base Model X11012. (See 4.3.3 Installation of Base to Membrane and Built-up Roofs.) Use with ShockFusion End Roof Posts or Fusion Intermediate Roof Posts does not affect installation of base to plywood roof decking.

1. Position the base at the desired location on the roof.

Note: All mounting holes must be located over the roof decking. Be careful that mounting holes are not located directly over a structural roof support or beam with a thickness and/or material that may interfere with lag screw installation.

2. With the base in position, drill four 1/4in (6.35mm) diameter pilot holes through the plywood decking at each of the corner mounting locations for a total of 16 holes (see Fig. 10a). Any four mounting holes may be used for installation so long as they are not adjacent to one another.
3. Install each of 16 lag screws through the base mounting hole and into the corresponding pilot hole in the plywood decking. Tighten lag screws until snug and properly seated.

WARNING: All sixteen (16) lag screws must be used to secure the base properly. Do not over-tighten lag screws as damage may occur to the plywood decking resulting in insufficient strength to support potential fall arrest forces.

Fig. 10a

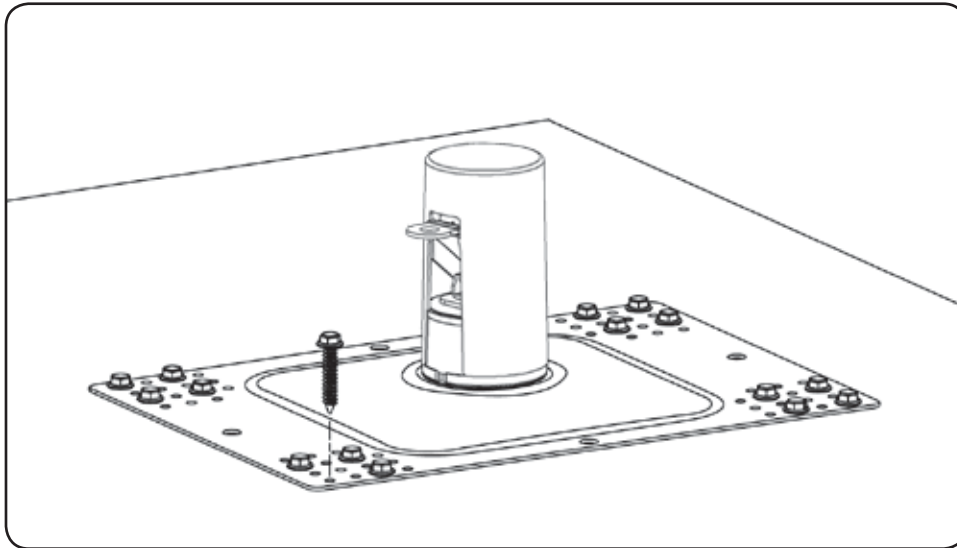
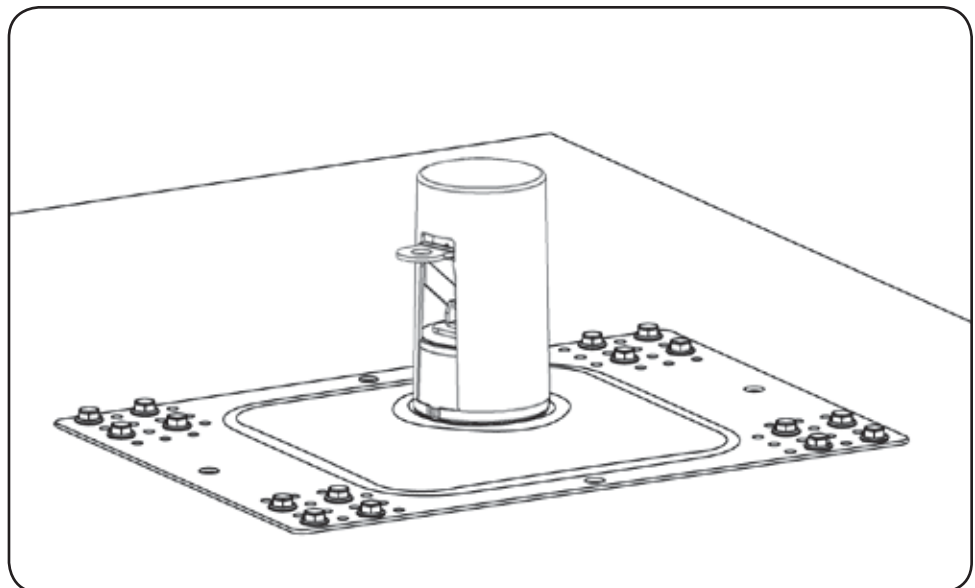


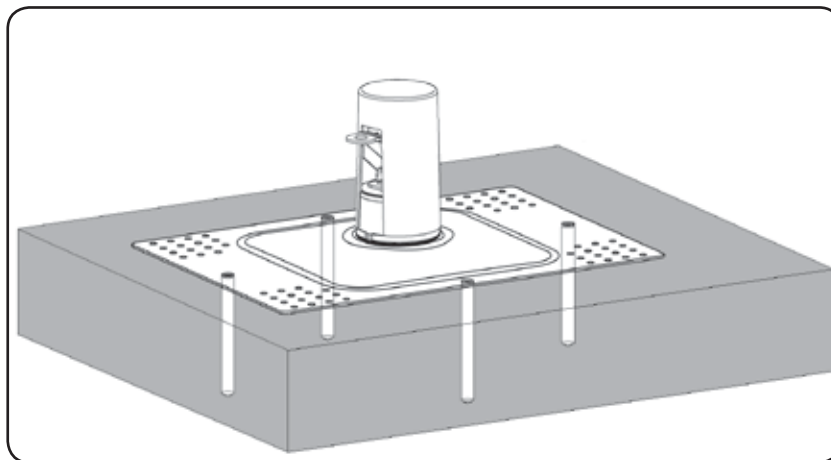
Fig. 10b -
Completely Installed



4.3.5 Installation of Base to Concrete Roofs (Model X11013)

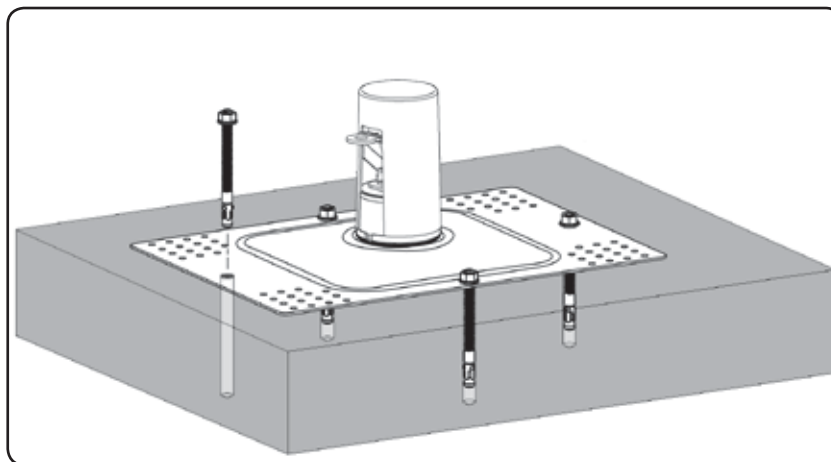
Base Model X11013 is designed for concrete roof installation. Concrete must have a minimum compressive strength of 3000 PSI (20.7 MPa) and minimum thickness of 6.5in (165mm). Use with ShockFusion End Roof Posts or Fusion Intermediate Roof Posts does not affect installation of base to concrete roofs.

Fig. 11a



1. Position the base at the desired location on the roof.
2. With the base in position, use the base as a template to mark the four mounting hole locations as shown in Fig. 11a.
3. Remove base and drill a 1/2in (12.7mm) hole to a depth of 4-3/4in (120.65mm) at each of the four mounting locations.
4. Clean all debris from each hole using a blow out bulb.
5. Reposition the base on the roof aligning the mounting holes over the drilled holes.
6. Then drive an expansion bolt through the base mounting hole and into the corresponding drilled hole at each of the four mounting locations (see Fig. 11b).
7. Make sure the underside of the expansion bolt head is flush with the base plate before tightening. Torque each bolt to between 50-60ft.lbs. (68-81Nm) using a 3/4in (19mm) socket wrench.

Fig. 11b



WARNING: All four (4) expansion bolt anchors must be used to secure the base properly.

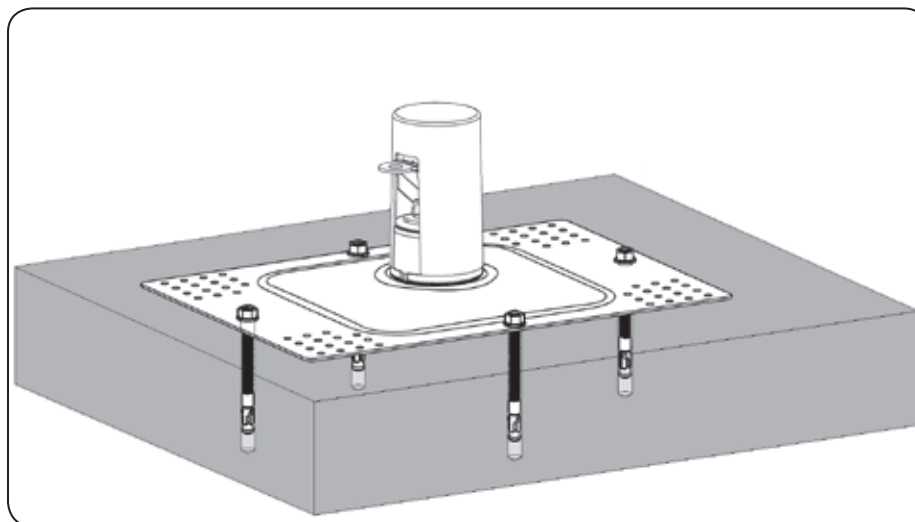


Fig. 11c - Completely Installed

4.4 Horizontal Lifeline Assembly and Installation

4.4.1 Assembly of Horizontal Lifeline Components and Installation to Roof Post System

ShockFusion Horizontal Lifeline Kits include a cable lifeline with a pre-swaged end that features the Swage Turnbuckle with Tension Indicator. The opposite end of the lifeline will need to be terminated on-site by installing a thimble cable fitting, securing with cable clips, and then cutting excess cable. **DO NOT CUT CABLE LIFELINE UNTIL BOTH ENDS ARE COMPLETELY INSTALLED WITH RATCHETING STRAPS REMOVED AND LIFELINE PROPERLY TENSIONED AS INDICATED BY THE TENSION INDICATOR DISC.**

WARNING: Always wear gloves and eye protection when inspecting or installing a cable lifeline.



Fig. 12

Installation of Lifeline Swage Turnbuckle with Tension Indicator to ShockFusion End Roof Post

Note: *It is recommended that the swaged end with turnbuckle be located at the most common entrance of users to the horizontal lifeline system so that the tension indicator is readily accessible for inspection prior to use.*

1. Attach the swage turnbuckle end fitting to the end roof post by aligning the clevis of the end fitting with the protruding roof post anchorage eye and installing the supplied shoulder pin (see Fig. 13a).
2. Then secure the shoulder pin by installing the split pin, folding back the ends with flat pliers.
3. Once Swage Turnbuckle is securely installed, set turnbuckle to the measurements specified in Fig. 13c. This will allow for tightening and tensioning of the system later.

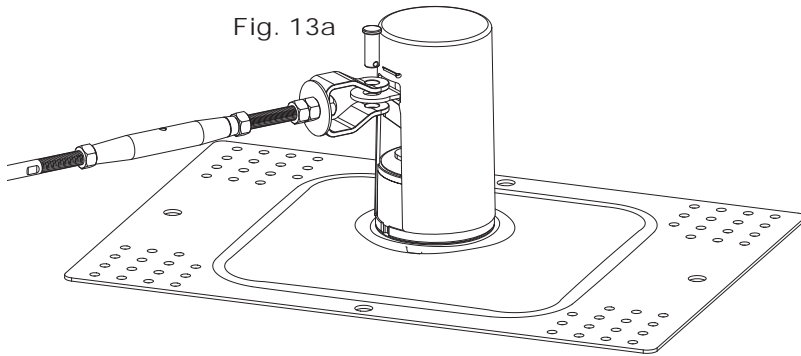


Fig. 13a

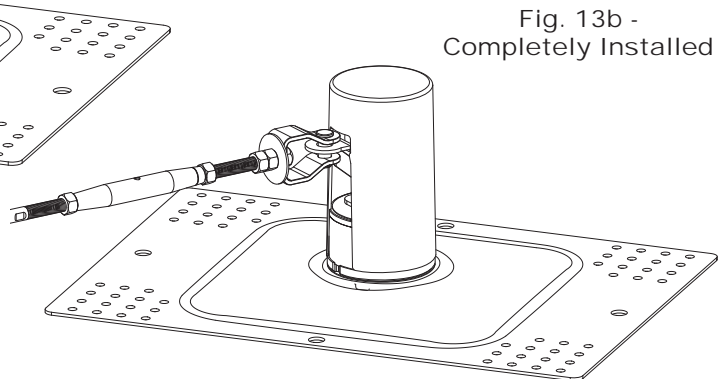


Fig. 13b - Completely Installed

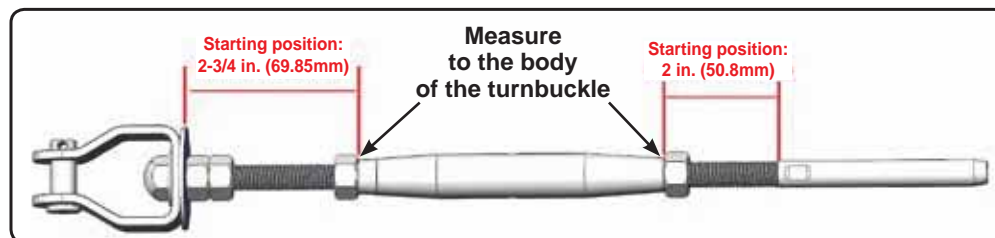


Fig. 13c

Installation of Cable Lifeline to Fusion Intermediate Roof Posts with Universal Intermediate Brackets
 Fusion Intermediate Roof Posts will be fitted with the Universal Intermediate Bracket (Model X11014), which is designed for straight pass-through lifeline connections and curves of 5° or less.

1. Roll out cable along the course of the lifeline system.
2. Install all cable guide/support assemblies (the top portions of the universal intermediate brackets) onto the free end of the cable by inserting the cable through the cable guides. Then slide all assemblies along the course of the lifeline until one is located at each of the intermediate roof posts.



3. Next, loosely install the clevis of each bracket to its corresponding roof post by aligning the clevis over the protruding bolt on the top of the roof post and attaching the washer and nut.
4. Then connect the cable guide/support assembly (with cable) to the clevis using the bolt, washer and nut.

Note: Make sure that all intermediate brackets are set to fixed positioning and that they are angled the same throughout the lifeline system (see Fig. 14b and corresponding note).

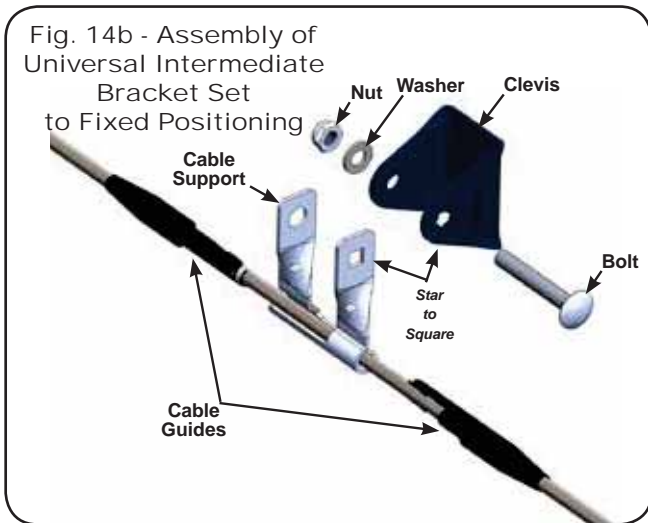
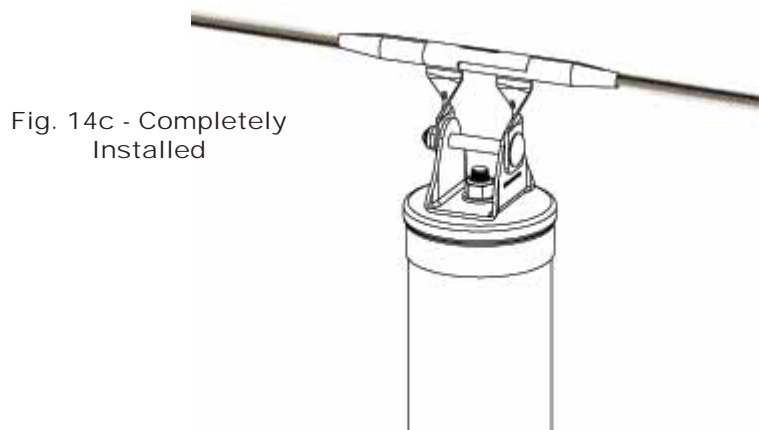


Fig. 14b Note: The Universal Intermediate Bracket must be set to fixed positioning when used with the ShockFusion Horizontal Lifeline Roof System. It can be fixed in the straight up position as shown or at an angle in 45° increments up to 90° in either direction. To fix the position of the cable support, align the star-shaped hole in the clevis with the square hole in the cable support (see Fig. 14a) and angle the support in the desired fixed position. Insert the bolt completely through the aligned holes. (The bolt must enter through the side with the star hole.) Attach the washer and nut. Ensure that the cable support is properly set in the fixed position; the cable support must never be free-floating when used with this system.

5. Finally, starting with the swaged lifeline end of the system, align each bracket and tighten to the roof post.

Note: Double-check to make sure that all of the intermediate brackets have been set to fixed positioning at the same angles, are straight in line with the lifeline system, and are securely fastened to the posts.



Installation of Thimble and Anchor Shackle to ShockFusion End Roof Post

1. Remove cotter pin, nut and bolt from anchor shackle.
2. Position thimble on anchor shackle.
3. Then align anchor shackle with protruding roof post anchorage eye, and insert bolt completely through anchor shackle and post anchorage eye. Attach nut and tighten snugly using a 3/4" wrench and socket.
4. Insert the cotter pin into the end of the bolt and bend slightly to prevent the pin from backing out.

Fig. 15a



Fig. 15b -
Completely Installed



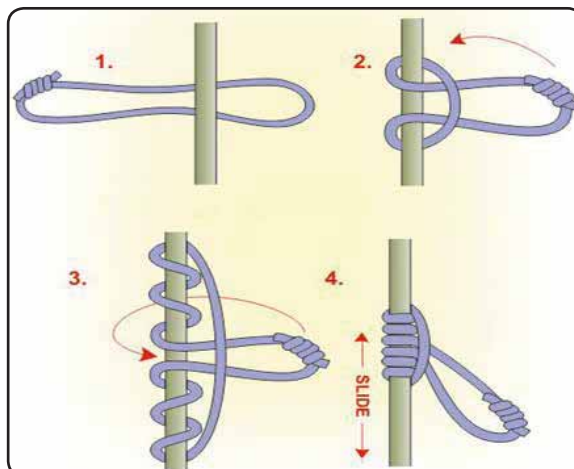
Remove Lifeline Slack in System

Notes: *It is best to have two people present for this installation step; the cable must not be overtightened. Two 3-foot (0.9m) sections of rope and a tie-down ratchet strap are required for this installation step.*

Reference the pictures below; then continue with the procedure on the following page.



Tie Down Ratchet Strap



How To Tie A Prusik Knot

1. Insert cable lifeline completely through thimble, ensuring that thimble is aligned straight on anchor shackle in the direction of the lifeline. Ideally, there should be at least 1-2 feet (0.3-0.6m) of cable turnback to complete the following steps.

Important: *Throughout the lifeline tightening process, always make sure that thimble remains aligned straight with the lifeline and does not bind on anchor shackle. It may be necessary to use a wrench or a small pry bar to realign thimble.*

2. With one section of rope, tie a Prusik knot onto the dead end (free end) of the lifeline, approximately 1-2 feet (0.3-0.6m) from the thimble. With the second section of rope, tie a Prusik knot onto the main lifeline approximately 6 feet (1.8m) from the end roof post.
3. Connect the tie down ratchet strap between the two Prusik knots by hooking an end of the ratchet strap into each of the Prusik knot loops. Using the tie down ratchet strap, tighten the cable to the desired 180 lbs. pressure. This can be seen by a second installer monitoring the tension indicator on the opposite end of the lifeline; when the tension indicator just starts to rotate freely, stop tightening. It is important not to overtighten the cable.

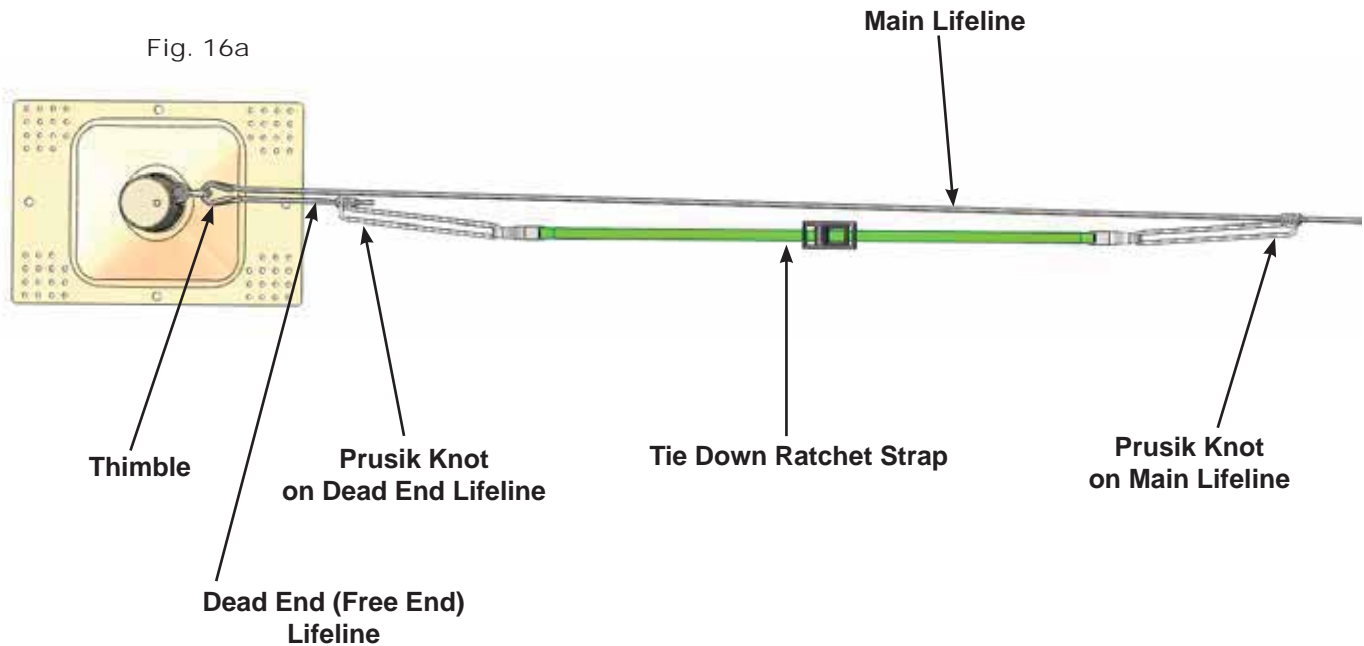


Fig. 16b

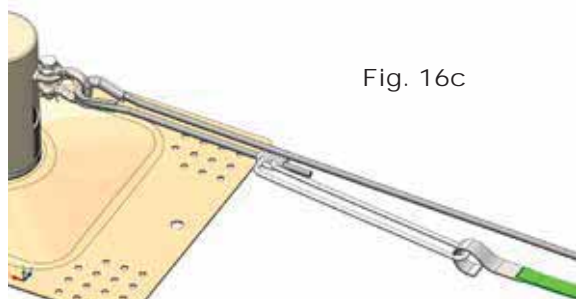
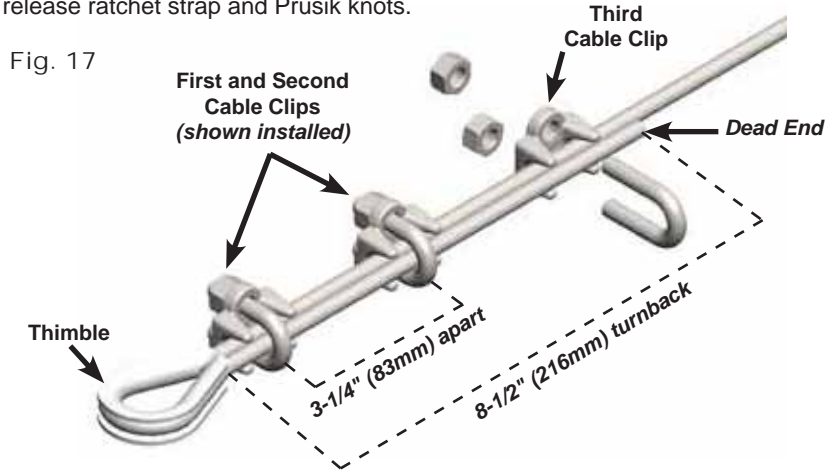


Fig. 16c

Secure Lifeline with Cable Clips

Note: There must be at least 8-1/2" (216mm) of cable turnback to properly install cable clips.

1. With ratchet strap and Prusik knots firmly holding lifeline tight, attach first cable clip as close to the thimble as possible, noting that the U-clip must be installed around the cable with the dead end (see Fig. 17). Attach two additional cable clips, spacing them 3-1/4" (83mm) apart. Torque cable clip nuts to **17 ft. lbs. (23Nm)**.
2. Once cable clips are securely fastened, release ratchet strap and Prusik knots.



Verify Lifeline Tension

IMPORTANT: It is essential that the lifeline be properly tensioned before use. Failure to do so will affect fall clearance requirements and the potential fall forces which may be imposed upon the worker and the system.

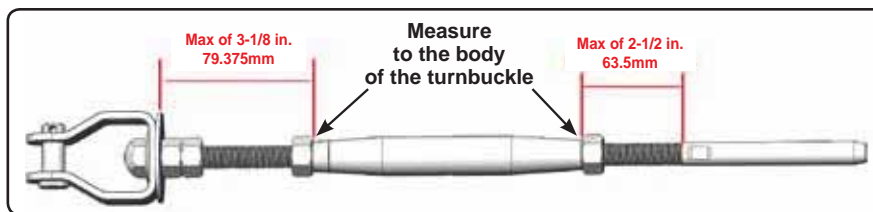
Note: Every ShockFusion Horizontal Lifeline Kit includes the Swage Turnbuckle with Tension Indicator. The tension indicator disc should begin to spin freely when the lifeline is tensioned properly (at approximately 180 lbs. pressure).

Once the system is completely installed and the ratchet strap and Prusik knots have been removed, check lifeline tension.

- If tension indicator disc is tight and cannot spin freely, tighten turnbuckle until disc begins to spin freely. Use an open end wrench to prevent the lifeline from twisting while tensioning.
- If tension indicator disc already spins freely, back off turnbuckle slowly until tensioning disc is unable to spin. Then tighten turnbuckle again just until disc starts to spin freely. This will prevent under- and over-tightening of the lifeline system. When loosening the turnbuckle, be careful not to disengage the threads.

Note: Male and female threads should be completely engaged on both sides of turnbuckle tensioner. If there is not full engagement of either side of turnbuckle's threads, the system will need to be loosened and steps above will need to be repeated.

Fig. 18



IMPORTANT: Do not exceed maximum measurements shown as turnbuckle components may become disengaged.

Once proper lifeline tension has been achieved, tighten jam nuts against body of turnbuckle (as shown in Fig. 18) to prevent turnbuckle from turning.

Problem Solving:

If the turnbuckle bottoms out and the tension indicator disc does not spin freely, repeat the steps to "Remove Lifeline Slack in System" on pages 26 and 27. The cable clips will need to be removed and the tie down ratchet strap and Prusik knots reinstalled. Keep system as tight as possible when reinstalling the cable clips. Once complete, recheck lifeline tension following the steps above.

IMPORTANT: Cable clips can only be re-installed once. Cable clips and lifeline must be inspected for damage before re-installing. If any damage is present, contact Honeywell Technical Service for assistance and/or Honeywell Customer Service for replacement parts.

Cut Excess Cable

Once the system is completely installed and properly tensioned, cut excess cable being careful not to allow cutting tool to come in contact with the main lifeline (active portion of the lifeline).

4.5 System Tag Completion

The installer of the ShockFusion Horizontal Lifeline Roof System Kit **MUST** complete, with permanent marker, two system tags. Using the zip ties provided, affix one to each of the lifeline ends--attaching to the turnbuckle clevis and the anchor shackle. Refer to the information generated by the ShockFusion Selection Guide (based on customer inputs) to ensure that all information included on the system tag is accurate. This information should also be recorded in this manual on page 9. Complete the label accordingly. The letters provided in the boxes on the tag below correspond to the table on page 9 and the ShockFusion Selection Guide. For the type of connecting device (B=), be sure to include all options given (1, 2, 3). The kit number can be found on the bill of materials or the original order form. The installer box should have a minimum of name, company and contact information. Regular inspection dates should be recorded on the system tag with month/year and initials of qualified or competent person. **This system tag is critical to the safety of all horizontal lifeline users. DO NOT USE THIS SYSTEM IF SYSTEM TAG IS NOT PRESENT.**

Fig. 19

MILLER[®]
by Honeywell

Honeywell Safety Products
1345 15th Street • PO Box 271
Franklin, PA 16323 USA
Tel. 800-873-5242 • Fax 800-892-4078

Horizontal Lifeline Systems

Kit Number: _____

1. Max. Length of Approved Connecting Device: **D=** _____

2. Type of Approved Connecting Device: **B=** _____

3. Max. Number of Users on System: **L=** _____

4. Max. Number of Users per Span: **C=** _____

5. Max. Span Length: **F=** _____

6. Installation Date: _____ / _____ / _____

Installer: _____

Inspection Required by Competent Person
(Month/Year - Initial Upon Completion): _____

Meets all applicable OSHA requirements.

LB1290 REV A

4.6 Installation Inspection

Once installation is complete, the installer of the ShockFusion Horizontal Lifeline Roof System Kit must perform a final inspection of all system components and of the system as a whole.

- Check all system components for any damage that may have occurred during installation.
- Ensure that all system components have been installed using the provided Miller hardware (or Honeywell approved hardware) and that all fasteners meet torque specifications.
- Inspect the installation of the base to the roof and ensure that the roof structure has not been damaged during installation. The integrity and strength of the roof structure must not be compromised.
- Double-check that there is no missing hardware or components.
- Ensure that swage indicator has not moved.
- Check the lifeline tension and tension indicator.
- Labels, system required markings, system tags and capacity ratings must be present.

ShockFusion System installations must be approved by a qualified person.

5.0 Use of the ShockFusion Horizontal Lifeline Roof System

- Before each use, carefully inspect the roof system in addition to all components of the personal fall arrest system according to the manufacturer's instructions.
- Ensure that there is sufficient fall clearance below the work surface to avoid hitting a lower level or obstruction.
- Avoid working where the connecting device and/or lifeline may come in contact with sharp edges or abrasive surfaces.
- Ensure that all connections within the system are compatible in regards to size, shape and strength.
- Use only approved connecting devices to attach to the ShockFusion Roof System.
- All users must read and follow all labels and instructions, and must be familiar with the customer-specified parameters for the horizontal lifeline system kit included on the system tag.
- Follow system capacity ratings.

5.1 Connecting to and Using the Horizontal Lifeline

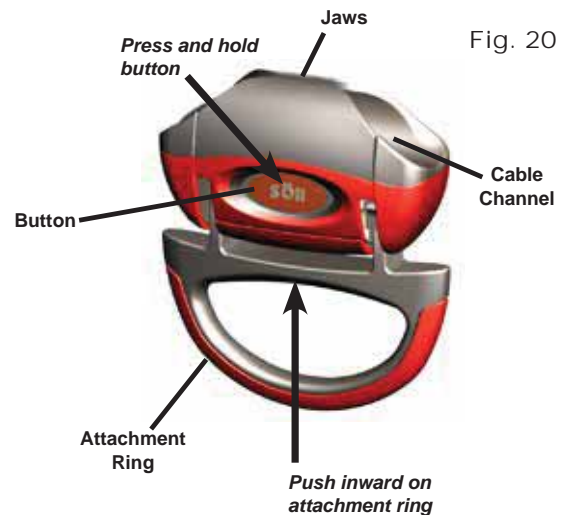
1. Properly fit the full-body harness. Refer to the donning instructions provided with the harness.
2. Ensure that the structure being worked on is properly supported before connecting to the horizontal lifeline. Use necessary fall protection equipment while approaching the horizontal lifeline.
3. If using the Xenon Automatic Pass-Through Shuttle, install the shuttle to the lifeline by pressing and holding the button on the side of the shuttle while pushing in on the attachment ring to open the cable channel jaws. Then insert the shuttle over the lifeline and release.

WARNING: Once installed, ensure that the cable channel jaws are completely closed and locked.

When closed and locked, the gap width between the jaws will be between 1/16" (1.6mm) and 5/32" (4mm) maximum without any load being applied.

4. Connect one end of the shock-absorbing lanyard or fall limiter to the back D-ring of the harness and the other to attachment ring on the shuttle (or directly to the horizontal lifeline if the shuttle is not being used). Refer to the instructions provided with the connecting device. Ensure that all connections are compatible and that all connectors, such as snap hooks or carabiners, are closed and locked.
5. Once securely attached, the user may proceed along the lifeline. The snap hook (or connector) of the shock-absorbing lanyard or fall limiter must remain connected to the shuttle (or horizontal lifeline) and the shuttle to the lifeline at all times along the length of the system. The Xenon Shuttle will self-align to navigate past intermediate brackets. If the shuttle is not being used, a two-legged, shock-absorbing lanyard is required in order to bypass intermediate brackets while remaining attached to the lifeline at all times for 100% fall protection.

NOTE: The shuttle should always be removed from the horizontal lifeline after use and cleaned and stored according to 7.0 Inspection and Maintenance.



Approved Connecting Devices

Every ShockFusion Horizontal Lifeline Roof System Kit is designed to accommodate at least one of the following Honeywell-approved connecting devices:

- 900lb Max Arrest Force Shock-Absorbing Lanyard
- 1800 lb Max Arrest Force Shock-Absorbing Lanyard
- 1800 lb Max Arrest Force Self-Retracting Lifeline (Miller Turbo T-BAK Tie-Back Personal Fall Limiter)

The type and length of connecting device to be used with your system was specified at the time the horizontal lifeline system kit was created through the ShockFusion Web Product Selection Guide. This information should be recorded on the system tag. Please be sure to use the connecting device(s) specified for use with your system.

Cable shock-absorbing lanyards are never recommended for use with ShockFusion Roof Systems.

Sharp or abrasive edges should be avoided or padded to protect the connecting device.

When used with the ShockFusion Roof System, the Miller Turbo T-BAK is intended to be used as a regular retractable lanyard. Do not "tie-back" onto the horizontal lifeline.

Read and follow all instructions and warnings provided with the connecting device at the time of shipment. For application specific questions, contact Honeywell Technical Service.

6.0 Training

It is the responsibility of the purchaser of this equipment, the installers, and users to ensure that they are familiar with these instructions and are trained in the proper use, installation, operation, maintenance and limitations of this system. Training should be conducted periodically and without exposing the trainee to a fall hazard.

7.0 Inspection and Maintenance

7.1 Inspection

Miller ShockFusion Systems should be inspected frequently. In addition to performing a thorough inspection upon completion of assembly/installation, the system must be visually inspected by the user before each use and inspected by a qualified or competent person on a regular basis, at least annually. **Replace equipment if any of the defective conditions explained in this manual are found.**

- Inspect entire system for any of the following: bent, cracked, distorted, worn, malfunctioning or damaged parts; loose fasteners or missing parts/components; deterioration; deformation; corrosion; signs that indicate the product has been subjected to a fall arrest; or any other indications of damage/problems that may affect the integrity and operation of the product. If in doubt, contact the manufacturer.
- Check all fasteners and corresponding torque values to ensure that the system posts are securely attached to the roof structure (see 4.3 Base Installation). Inspect the condition of the roof to ensure that it still meets all anchorage requirements.
- Inspect the system posts for any signs of possible loading. The protruding post attachment on the ShockFusion End Posts, which is the tongue of the coiled shock absorber inside the post, will drop when exposed to a load (see Fig. 21a). The Fusion Intermediate Post will tip over when exposed to a load (see Fig. 21b).
- Inspect cable swaging for any signs of slippage. The swaging indicator ring moves with the cable leaving a gap between the indicator ring and the swaged end to show when the lifeline has been exposed to high tension or loading. If there is a gap (see Fig. 22), the cable swaging has been compromised and the lifeline must be taken out of service.
- Inspect the cable lifeline for cuts, frays, kinks, broken strands or other signs of unusual wearing patterns. **[CAUTION: Always wear gloves when inspecting wire rope!]**
- Check lifeline tension. The tension indicator should spin freely at the proper tension.
- Inspect Xenon shuttle for physical damages, deformation, cracks, wear and corrosion. Ensure that the shuttle and its parts are functioning properly. The attachment ring should move freely, the button should depress and release to its original position, and the cable channel jaws must close and lock. Refer to 5.1 Connecting to and Using the Horizontal Lifeline.
- Ensure that product labels are present and legible, including a completed system tag, which must be installed on the lifeline at the time of installation (see Labels).
- Inspect the components of the personal fall arrest system according to the manufacturer's instructions.

If the system or any components within the system do not pass inspection or have been subjected to fall arrest forces, the system must be taken out of service until the components in question can be replaced and the system is inspected **by a qualified person.**

Fig. 21a - ShockFusion End/Corner Post: Exposed to Loading



Fig. 21b - Fusion Intermediate Post: Exposed to Loading

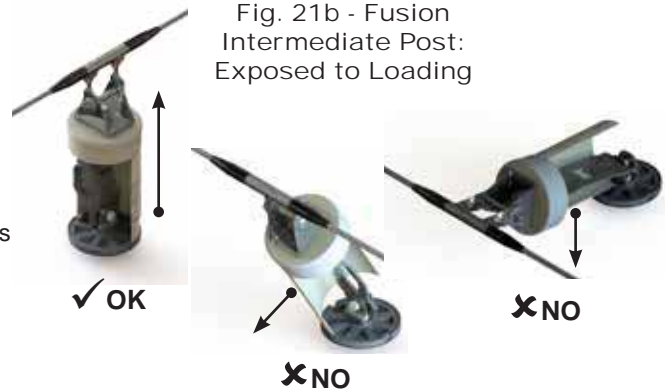
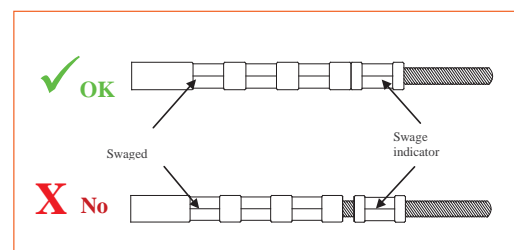


Fig. 22 - Swaging Indicator Ring



7.2 Cleaning and Storage

Basic care of all Miller fall protection equipment will prolong the life of the unit or system and will contribute toward the performance of its vital safety function. Periodically clean system components to remove any dirt, paint, corrosives, contaminants, or other materials that may have accumulated. When Xenon shuttle is not in use, store in a clean, dry, ventilated area, free of exposure to fumes, corrosive elements and environmental effects.

7.3 Servicing

Servicing of Miller fall protection equipment must only be carried out by Honeywell Safety Products or persons or entities authorized in writing by Honeywell. A record log of all servicing and inspection dates for this system must be maintained. Only original Miller replacement parts are approved for use in this system. Non-repairable components that do not pass inspection must be disposed of in a manner to prevent inadvertent further use. Contact Honeywell Technical Service at 800.873.5242 (press 4) if you have any questions.

Table des matières

1.0	Objectif.....	33
2.0	Exigences générales, avertissements et limitations.....	33-34
	2.1 Exigences générales en matière de protection antichute	
	2.2 Avertissements et limitations	
3.0	Composants des ensembles de systèmes de cordes d'assurance horizontales	
	ShockFusion et montage des systèmes	35-39
	3.1 Composants des systèmes	
	3.2 Composition des numéros des ensembles	
	3.3 Montage rapide des systèmes	
4.0	Installation du système de cordes d'assurance horizontales pour	
	toiture ShockFusion.....	40-58
	4.1 Exigences de résistance à la traction et au cisaillement	
	4.2 Assemblage du poteau à la base	
	4.3 Installation de la base	
	4.3.1 Installation de la base aux toits à joints debout	
	4.3.2 Installation de la base avec revêtement de métal	
	4.3.3 Installation de la base aux toits avec membrane et multicouches	
	4.3.4 Installation de la base aux toits à revêtement de bois	
	4.3.5 Installation de la base aux toits de béton	
	4.4 Assemblage et installation des cordes d'assurance horizontales	
	4.4.1 Assemblage des cordes d'assurance horizontales et installation au système de poteaux	
	pour toiture	
	4.5 Achèvement des fiches d'identification du système	
	4.6 Inspection de l'installation	
5.0	Utilisation du système des cordes d'assurance horizontales pour toiture	
	ShockFusion.....	59
	5.1 Raccordement et utilisation des cordes d'assurance horizontales	
6.0	Formation.....	60
7.0	Inspection et entretien.....	60-61
	7.1 Inspection	
	7.2 Nettoyage et entreposage	
	7.3 Réparation	
	Étiquettes.....	92
	Journal d'inspection et d'entretien.....	93

Merci

Nous vous remercions pour votre achat d'équipement de protection contre les chutes Miller. Les produits de la marque Miller sont conçus pour satisfaire les plus hautes normes de qualité de notre usine certifiée ISO 9001. S'ils sont entretenus correctement, les équipements de protection antichute Miller vous offriront des années de service.

AVERTISSEMENT

Toutes les personnes utilisant cet équipement doivent lire, comprendre et observer l'intégralité des instructions. Le non-respect de cette consigne peut entraîner des blessures, voire la mort. N'utilisez cet équipement que si vous avez été correctement formé.

Questions? COMPOSEZ LE 1.800.873.5242

Il est essentiel que la personne/l'utilisateur responsable de cet équipement lise et comprenne les présentes directives. De plus, la loi fédérale oblige les employeurs à s'assurer que tous les utilisateurs soient formés pour l'installation, l'utilisation, l'inspection et l'entretien appropriés du matériel de protection antichute. La formation portant sur la protection des chutes devrait faire partie intégrale d'un programme de la sécurité complet.

L'utilisation adéquate des systèmes antichute peut sauver des vies et réduire les risques potentiels de blessures graves suite à une chute. L'utilisateur doit être conscient que les forces déployées au cours de l'arrêt d'une chute ou d'une suspension prolongée peuvent causer des blessures corporelles. Pour toutes questions au sujet de la capacité de l'utilisateur à utiliser cet article, veuillez consulter un médecin. Les femmes enceintes et les enfants de moins de 18 ans ne doivent pas utiliser cet article.

1.0 Objectif

Le système de cordes d'assurance horizontales pour toiture ShockFusion est un système avancé de cordes d'assurance horizontales fixés sur la surface pour des applications sur le toit qui est maintenant offert en ensembles de cordes droites adaptées aux besoins du client. Les ensembles comprennent des poteaux pour d'extrémité à absorption d'énergie ShockFusion, des poteaux intermédiaires à basculement Fusion, ainsi que des accessoires de base polyvalents afin de s'adapter à plusieurs types de structures de toit, et une sélection de composants de qualité pour corde d'assurance. Le système pour toit ShockFusion minimise la déviation des corde d'assurance afin de gérer efficacement le système de forces et maintenir un raccordement sécurisé sur une variété de modèles de toiture. Ces ensembles peuvent être installés sur des toits à joints debout, à revêtement métallique, bois, béton, membrane et multicouches.

Les composants du système des cordes d'assurance horizontales pour toiture ShockFusion répondent aux exigences de conception établies par les normes 1926.502 et 1910.66 de l'OSHA, aux normes A10.32-04, Z359.6 de l'ANSI et CSAZ259.16-2004. Cependant, veuillez prendre note que le système en son entier, une fois installé, doit être réputé respecter ces normes par un ingénieur qualifié. Des documents supplémentaires spécifiques à l'installation sont requis. Veuillez consulter les normes relatives aux exigences applicables.

2.0 Exigences générales, avertissements et limitations

2.1 Exigences générales en matière de protection antichute

Tous les avertissement et toutes les instructions doivent être fournis par des personnes ou des utilisateurs autorisés. Les avertissements et les instructions doivent être lus et compris avant l'utilisation de l'équipement.

Tous les installateurs ainsi que les personnes et utilisateurs autorisés doivent se reporter à la réglementation régissant la sécurité au travail, ainsi qu'aux normes applicables.

Toutes les précautions appropriées doivent être prises en tout temps afin de supprimer les obstructions, les débris, les matériaux ou les autres dangers constatés de la zone de travail, lesquels pourraient entraîner des blessures ou interférer avec le fonctionnement du système.

Tout l'équipement doit être vérifié avant chaque utilisation selon les instructions du fabricant.

Tout matériel doit être inspecté sur une base régulière par une personne qualifiée.

Afin de minimiser le risque de décrochage accidentel, une personne compétente doit s'assurer de la compatibilité du système.

L'équipement ne doit être modifié en aucune façon. Les réparations doivent être effectuées uniquement par le fabricant du matériel, les personnes ou les entités autorisées, par écrit, par le fabricant.

Tout produit présentant des difformités, une usure inhabituelle ou de la détérioration doit être jeté immédiatement.

Tout matériel soumis à une chute doit être retiré du service.

L'utilisateur doit avoir un plan de sauvetage et des moyens à portée de main afin de les mettre en application lorsqu'il utilise cet équipement.

N'utilisez jamais l'équipement de protection antichute à des fins autres que celles pour lesquelles il a été conçu. L'équipement de protection antichute ne devrait jamais être utilisé pour remorquer ou hisser.

Ne jamais retirer les étiquettes des produits, lesquelles comportent des avertissements importants et de l'information pour la personne/l'utilisateur autorisé.

2.2 Avertissements et limitations

Guide de sélection ShockFusion

(<https://www.millerfallprotection.com/shockfusionkits>)

Chaque ensemble de systèmes de cordes d'assurance horizontales pour toiture ShockFusion est conçu et généré par les commentaires des clients fournis dans le Guide de sélection des ShockFusion sur le Web. Le site Web utilise les entrées pour créer la nomenclature des ensembles et pour fournir les informations de configuration nécessaires, tels que la hauteur d'installation du système (basée sur la zone de dégagement), la distance du bord à laquelle le système doit être installé, le nombre des poteaux intermédiaires, la distance nécessaire entre les poteaux du toit et la longueur de portée maximale. Il calcule également les évaluations de la capacité des cordes d'assurance horizontales, spécifie le type et la longueur du ou des dispositifs de raccordement approuvés et fournit la zone de dégagement nécessaire pour le système (y compris la distance d'un risque de chute le plus proche). **Il est impératif que les installateurs et les utilisateurs de ce système soient au courant et aient accès à ces informations, qui ont été générées spécifiquement pour cet ensemble de systèmes de cordes d'assurance horizontales.** Pour de plus amples détails, veuillez consulter le Guide de sélection de ShockFusion ainsi que les sections 3.2 et 3.3 du présent manuel. Ne pas utiliser ce système de cordes d'assurance horizontales si le système d'identification (LB1290) n'est pas terminé et apposé sur le système (voir la section 4.5 du présent manuel). Si l'information initialement générée par le Guide de sélection de ShockFusion a été égarée, revenez sur le site Web et entrez à nouveau les mêmes renseignements ayant servis à créer l'ensemble afin de régénérer toute l'information nécessaire et les calculs.

Compatibilité du système

Le système de cordes d'assurance horizontales pour toiture ShockFusion est conçu pour être utilisé avec les composants approuvés par Honeywell. La substitution ou le remplacement avec des combinaisons de composants non approuvés, des sous-systèmes ou les deux, peut affecter ou interférer avec le bon fonctionnement de l'un ou l'autre et mettre en danger la compatibilité au sein du système. Cette incompatibilité peut affecter la fiabilité et la sécurité de l'ensemble du système.

Honeywell nécessite l'utilisation d'une sangle complète approuvée par Honeywell et d'une longe avec absorbeur d'énergie approuvée par Honeywell ou le dispositif d'arrêt de chute personnel à étranglement Turbo T-BAK^{MD} de Miller avec ce système. Toutes les instructions et les avertissements fournis avec le survêtement et le dispositif de raccordement doivent être lus et compris avant d'utiliser l'équipement.

Limites d'utilisation

Les poteaux de toit ShockFusion sont conçus pour être utilisés comme les ancrages d'extrémité pour un ensemble de systèmes de cordes d'assurance horizontales pour toiture ShockFusion. Ils ne doivent jamais être utilisés comme un point d'ancrage unique pour un système antichute.

Le poteau pour toiture Fusion est conçu pour être utilisé comme un poteau d'ancrage intermédiaire dans l'ensemble des systèmes de cordes d'assurance horizontales pour toiture ShockFusion, mais peut également être utilisé comme un point d'ancrage unique pour un système antichute lorsqu'un ancrage sous forme de boulon en D est attaché. Toujours lire, comprendre et suivre les instructions pour les poteaux d'ancrage pour toiture Fusion lorsque vous les utilisez comme point d'ancrage unique. N'utilisez pas le poteau pour toiture Fusion comme un ancrage d'extrémité dans une application de corde d'assurance horizontale à moins d'obtenir une approbation de Honeywell Safety Products.

Les poteaux ShockFusion et Fusion ont été conçus pour une installation temporaire ou permanente et doivent toujours être installés en position verticale.

Capacité

La capacité maximale du système de corde d'assurance varie selon la configuration du système. De plus, la capacité maximale par portée est affectée par la longueur de portée et le dispositif de raccordement utilisés avec le système. Se référer aux capacités nominales générées par le Guide de ShockFusion.

Direction de chargement admissible

Il est permis de travailler à l'intérieur ou l'extérieur du système de cordes d'assurance horizontales.

Chute libre

Les systèmes antichute personnels doivent être fixés afin de limiter la chute libre à la plus courte distance possible [maximum de 6 pi (1,8 m)].

Forces d'arrêt de chute

Le système pour toitures ShockFusion est particulièrement bien conçu pour absorber l'énergie en réduisant au minimum les forces d'arrêt de chute imposées sur le travailleur, de même que sur la structure.

Zone de dégagement

Assurez-vous qu'il existe une zone de dégagement adéquate dans la trajectoire de la chute potentielle afin d'éviter de heurter un niveau inférieur ou un autre objet. Le potentiel d'une chute libre en balancement doit être réduit au minimum. Se reporter aux calculs de la zone de dégagement et aux informations connexes générés par le Guide de ShockFusion.

Exigences d'ancrage

La structure du toit où le système pour toiture ShockFusion est installé doit pouvoir supporter une charge statique de 2 268 kg (5 000 lb - 22,2 kN) en direction de chargement ou répondre aux exigences de l'OSHA pour un facteur de sécurité de deux.

Les exigences d'ancrage selon l'ANSI sont comme suit :

- Pour tous les systèmes antichute, les ancrages doivent supporter une charge statique de 2 268 kg (5 000 lb - 22,2 kN) pour les ancrages non certifiés ou deux fois la force d'arrêt maximale certifiée.
- Pour les déplacements limités, les ancrages doivent supporter une charge statique de 454 kg (1 000 lb - 4,5 kN) pour les ancrages non certifiés ou deux fois la force prévisible pour les ancrages certifiés.
- Lorsque plus d'un système antichute personnel (SAP) est fixé à un ancrage, les résistances d'ancrage ci-dessus doivent être multipliées par le nombre de SAP fixés à l'ancrage.

De plus, la structure du toit doit être en mesure de résister aux forces de traction et de cisaillement qui peuvent être imposées par le système (voir 4.1 Exigences de résistance à la traction et au cisaillement).

Le système pour toitures ShockFusion est conçu pour les structures de toit plates ou à faible pente avec une pente maximale pour le cordage d'assurance de 15 degrés (inclinaison 03:12). Si le toit est supérieur à cette pente, les extrémités de l'avant-toit peuvent encore être protégées avec un cordage d'assurance continu pourvu qu'un bon équilibre soit maintenu; mais une autre forme de protection contre les chutes doit être utilisée pour les pignons. Les options incluent un garde-corps, un ancrage à point unique/une longe à deux pattes ainsi qu'un cordage d'assurance/coulisseau de sécurité. Ces lignes directrices font l'hypothèse que le toit peut être parcouru en toute sécurité par les travailleurs sans nécessiter une force contre le dispositif de raccordement pour maintenir l'égalité ou l'équilibre. En général, les normes applicables et/ou les exigences du site nécessiteront des systèmes tels que des rebords protecteurs afin de travailler correctement sur les surfaces de toit en pente raide.

Le système pour toitures de ShockFusion, selon le modèle de base, est compatible avec les conceptions de toitures plus industrielles, y compris celles à joints debout, à membrane, multicouches, à revêtement métallique, trapézoïdales, en béton et en bois. Pour obtenir les exigences supplémentaires concernant les types de toit spécifiques, consultez la section 4.3 Installation de base. (Pour toutes questions au sujet des structures et des applications pour toitures approuvées, communiquez avec le service technique d'Honeywell.)

Dangers pour l'environnement

L'utilisation de cet équipement dans les endroits où il existe des risques environnementaux peut nécessiter des précautions supplémentaires afin de limiter la possibilité que l'utilisateur ne se blesse ou d'endommager l'équipement. Les risques peuvent inclure, mais sans s'y limiter, les températures extrêmes, les produits chimiques caustiques, les environnements corrosifs, les lignes à haute tension, les gaz explosifs ou toxiques, les machines en mouvement et les arêtes vives. N'exposez pas l'équipement à un danger contre lequel il n'est pas conçu pour résister. En cas de doute, consultez le fabricant.

3.0 Système de cordes d'assurance horizontales pour toiture ShockFusion Composants des ensembles et montage des systèmes

3.1 Composants des systèmes

Poteau d'extrémité ShockFusion (X11009)



Tendeur estampé avec indicateur de tension (25114) pour le raccordement des corde d'assurance au poteau d'extrémité ShockFusion



Câble des corde d'assurance



Supports intermédiaires universels (X11014) pour le raccordement des corde d'assurance aux poteaux intermédiaires Fusion



Poteau intermédiaire Fusion (X11008)



Cosse et serre-câbles (XP00001 et XP00002) pour la terminaison des corde d'assurance



Maillon d'ancrage (SGAS-SS) pour le raccordement des corde d'assurance au poteau d'extrémité ShockFusion



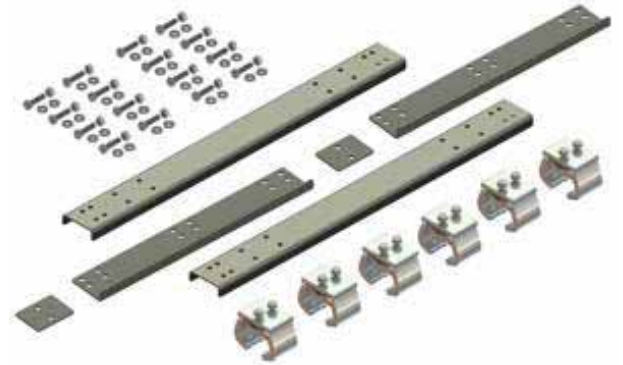
Pilote passe fil automatique Xenon (1005709)



Grande base (X11011)
pour toitures avec joints debout

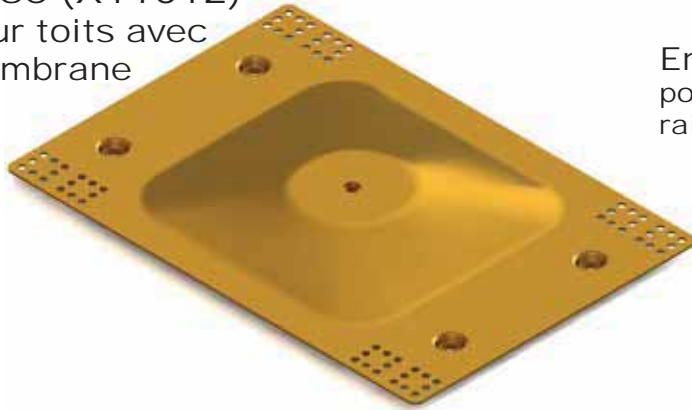


Ensemble de joints debout (X11018)



Ensemble de joints debout (X11020)
pour jusqu'à 24 po d'espacement avec rallonges,
raidisseurs, cales et pinces

Base (X11012)
pour toits avec
membrane



Ensemble de boulons à ailettes (X11004)
pour toiture avec membrane

d'une épaisseur de 140 mm (5,5 po)



Ensemble de boulons à ailettes (X11005)
pour toiture avec membrane
d'une épaisseur entre 140 mm
(5,5 po) et 267 mm (10,5 po)



Base polyvalente (X11013)
pour toits avec revêtement de métal,
trapézoïdaux, de bois et de béton



Ensemble de rivets (X11003)
avec rondelles d'étanchéité et ruban
d'étanchéité



Ensemble de tirefonds (X11006)

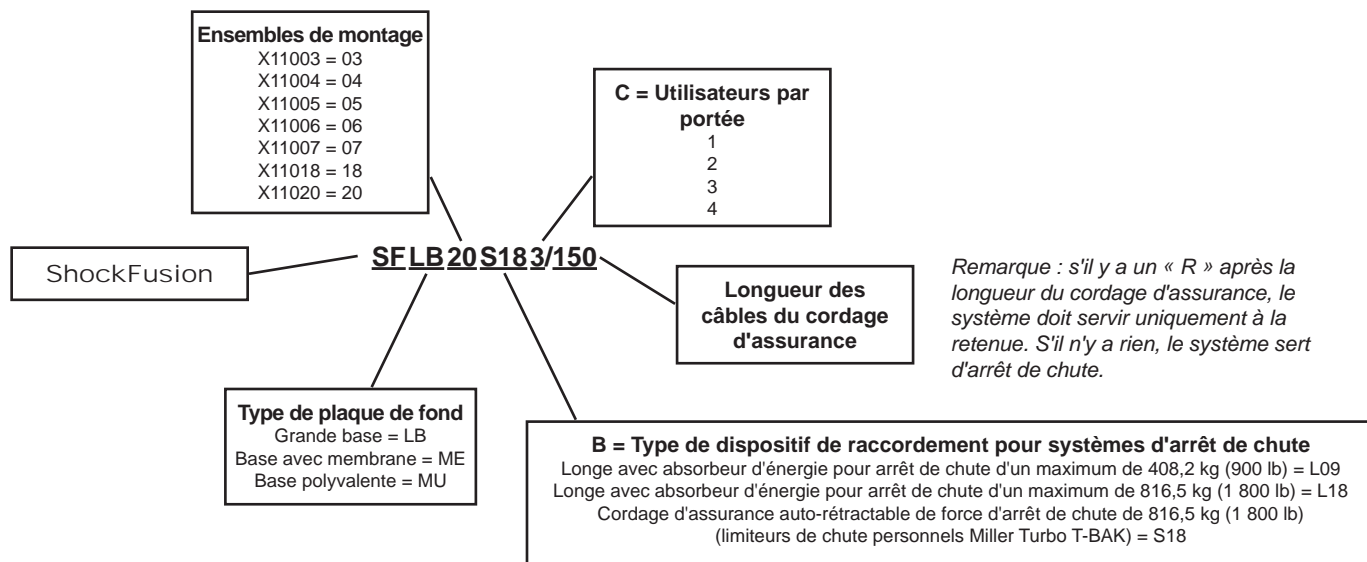
Ensemble d'ancrage avec
boulons extensibles
pour béton (X11007)



Poteaux pour toit	Jumelés aux raccordements des corde d'assurance	Conçus pour accommoder
X11008 Poteau intermédiaire Fusion	X11014 Support intermédiaire universel	Raccordement intermédiaire de cordes d'assurance horizontales pour passe-fil droit et courbes de 5 degrés ou moins
X11009 Poteau d'extrémité ShockFusion	25114 Tendeur estampé avec indicateur de tension	Raccordement d'extrémité de corde d'assurance horizontaux avec tendeur pour la mise en tension du cordage d'assurance et indicateur de tension
	XP00001 Cosse	Le raccordement d'extrémité/termination des corde d'assurance horizontaux comprend une cosse en acier inoxydable, pince pour câble d'acier 8 mm (5/16 po) et maillon en acier inoxydable 11 mm (7/16 po) avec boulon, écrou et clavette
	XP00002 Serre-câbles	
	SGAS-SS Maillon d'ancrage	
Bases	Jumelées avec fixations pour toit	Conçus pour accommoder
X11011 Grande base pour toitures avec joints debout	X11018 Ensemble avec joints debout Fusion et ShockFusion	Raccordement pour poteau d'extrémité ShockFusion ou poteau intermédiaire Fusion aux espacements des joints debout entre 298 mm (11,75 po) et 540 mm (21,25 po)
	X11020 Ensemble avec joints debout Fusion et ShockFusion pour espacements jusqu'à 610 mm (24 po)	Raccordement pour poteau d'extrémité ShockFusion ou poteau intermédiaire Fusion aux espacements des joints debout entre 540 mm (21,25 po) et 610 mm (24 po)
X11012 Base pour toits avec membrane	X11004 Ensemble de boulons à ailettes pour toiture à membrane d'une épaisseur jusqu'à 140 mm (5,5 po)	Raccordement pour poteau intermédiaire Fusion ou poteau d'extrémité ShockFusion à travers la membrane, l'isolation et dans le revêtement métallique, le revêtement de bois ou en béton avec une épaisseur combinée maximale de 140 mm (5,5 po)
	X11005 Ensemble de boulons à ailettes pour toiture à membrane d'une épaisseur entre 140 mm (5,5 po) et 267 mm (10,5 po)	Raccordement pour poteau intermédiaire Fusion ou poteau d'extrémité ShockFusion à travers la membrane, l'isolation et dans le revêtement métallique, le revêtement de bois ou en béton avec une épaisseur combinée maximale entre 140 mm (5,5 po) et 267 mm (10,5 po)
X11013 Base polyvalente pour toits avec revêtement de métal, trapézoïdaux, de bois et de béton	X11003 Ensemble de rivets avec rondelles d'étanchéité et ruban d'étanchéité	Raccordement pour poteau intermédiaire Fusion ou poteau d'extrémité ShockFusion au revêtement de métal avec une épaisseur minimale de calibre 24 (0,61 mm [0,024 po]) ou à espacement trapézoïdal entre 203 mm (8 po) à 508 mm (20 po) en incréments de 25,5 mm (1 po)
	X11006 Ensemble de tirefonds	Raccordement pour poteau intermédiaire Fusion ou poteau d'extrémité ShockFusion au panneaux de contreplaqué CDX d'une épaisseur minimale de 15,9 mm (5/8 po) CDX
	X11007 Ensemble d'ancrages avec boulons extensibles pour béton	Raccordement pour poteau intermédiaire Fusion ou poteau d'extrémité ShockFusion au platelage de béton avec une épaisseur minimale de 165 mm (6,5 po) et une résistance à la compression minimale du béton de 20,7 MPa (3000 PSI)
Corde d'assurance	jumelés avec pilote	Conçus pour accommoder
Câble d'acier de 8 mm 7x7 en acier inoxydable	1005709 Pilote passe fil automatique Xenon	Système de cordes d'assurance horizontales avec câble d'un diamètre de 8 mm (5/16 po) et pilote pour cordage d'assurance compatible pour le passage automatique de supports intermédiaires

Pour de plus amples informations au sujet des dimensions des composants, les matériaux de construction, etc., les fiches techniques des produits peuvent être téléchargées depuis www.millerfallprotection.com.

3.2 Composition des numéros des ensembles



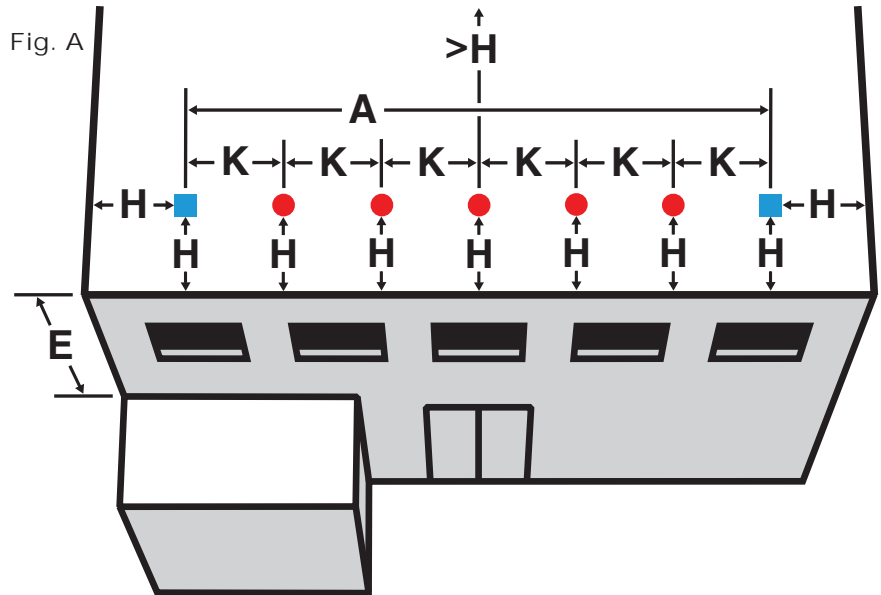
3.3 Montage rapide des systèmes

Cette section de configuration rapide du système aidera les installateurs à évaluer rapidement que tous les composants de l'ensemble des systèmes de cordes d'assurance horizontales spécifiés par le client sont comptabilisés, et pour aider les installateurs à préalablement installer les composants dans le bon ordre, à disposer l'assemblage et à faire l'installation. Une fois que la mise en place rapide du système est terminée, passez à la section 4.0 Installation.

- 1) Triez tous les éléments, vérifiez toutes les pièces et les quantités avec la nomenclature pour votre ensemble (voir la section 3.1 pour les illustrations des composants, les numéros des pièces et les descriptions). Remplissez le tableau de l'inventaire des composants de l'ensemble ci-dessous.

Inventaire des composants de l'ensemble		
N° de pièce	Composant	Quantité comprise dans l'ensemble
X11009	Poteaux d'extrémité ShockFusion (2) J = ■	
X11008	Poteaux intermédiaire Fusion (varie selon l'ensemble de systèmes) I = ●	
X11014	Supports intermédiaires universels (un requis pour chaque poteau pour toiture Fusion)	
	Câble de cordage d'assurance avec tendeur estampé et indicateur de tension (1)	
XP00001	Cosse (1)	
XP00002	Serre-câbles (3)	
SGAS-SS	Maillon d'ancrage (1)	
	Bases (une requise pour chaque poteau pour toiture ShockFusion et Fusion - varie selon l'ensemble de systèmes)	
	Ensembles de montage pour toiture (un ensemble est requis pour chaque base - varie selon l'ensemble de systèmes)	
1005709	Pilote passe-fil automatique Xenon (si applicable - pas nécessaire pour l'installation du système)	

2) La figure A illustre une disposition générique pour référence visuelle. Le nombre de poteaux intermédiaires dépendra de la longueur des systèmes et les commentaires du client spécifiés pour chaque ensemble de systèmes. Il faut se référer à ce schéma pour la disposition des composants.



3) Tous les commentaires fournis par le client qui ont servi à créer l'ensemble de systèmes de cordes d'assurance horizontales devraient également servir à remplir cette section de la présentation du système rapide. Le Guide de sélection ShockFusion sur le web génère tous les calculs nécessaires... il suffit de remplir le tableau suivant avec les spécifications initiales du site générées pour votre commande. L'installateur devrait apporter ces instructions sur le site de l'installation.

<https://www.millerfallprotection.com/shockfusionkits>

🔗 LE SITE WEB OU LES SORTIES D'IMPRIMANTE DU SITE WEB DEVRAIENT ÊTRE UTILISÉS POUR REMPLIR CETTE SECTION 🗑️

Commentaires spécifiés par le client		
		Numéro de l'ensemble : _____
A =	pi	Entrée de longueur >> longueur totale du système complet doit être inférieure à (largeur maximale du bâtiment – 2*H)
B =		Type de dispositif de raccordement pour systèmes d'arrêt de chute 1. L09 = longe avec absorbeur d'énergie pour arrêt de chute d'un maximum de 408,2 kg (900 lb) 2. L18 = longe avec absorbeur d'énergie pour arrêt de chute d'un maximum de 816,5 kg (1 800 lb) 3. S18 = Cordage d'assurance auto-rétractable de force d'arrêt d'un maximum de 816,5 kg (1 800 lb) (Miller Turbo T-BAK)
C =		Utilisateurs par portée (1 – 4) >> une portée est la distance entre deux intermédiaires consécutifs ou un intermédiaire et son poteau d'extrémité adjacents (● à ●) ou (● à ■)
D =	pi	Longueur maximale de dispositif de raccordement >> la longueur maximale du dispositif de raccordement qui relie l'anneau en D du harnais au cordage horizontal.
E =	pi	Risque de chute le plus près sous le niveau opérationnel (le niveau suivant ou l'obstruction la plus près du rebord opérationnel qui pourrait se trouver dans la trajectoire de la chute potentielle)
F =	pi	Longueur de portée maximale
G =	pi	La hauteur/distance (en pieds) requise pour la zone de dégagement
H =	pi	La distance maximale (en pieds) à laquelle le corde d'assurance horizontale doit être installé du rebord!
I = ●		Nombre de poteaux intermédiaires avec cet ensemble >> poteaux intermédiaires Fusion
J = ■	2	Nombre de poteaux d'extrémité >> poteaux pour toiture ShockFusion
K =	pi	Distance entre les poteaux
L =		Nombre maximal d'utilisateurs par système (ensemble complet)

4.0 Installation de système de cordes d'assurance horizontales pour toiture ShockFusion

- Avant l'installation, inspecter soigneusement tous les composants du système selon les instructions du fabricant (voir la section 7.1 Inspection).
- Certains composants du système peuvent être préassemblés. Les instructions d'installation doivent toujours être respectées afin s'assurer que tous les composants sont bien inclus et correctement assemblés. Il faut vérifier la bonne installation et le bon alignement de toutes les attaches et tous les connecteurs, puis les serrer selon les spécifications requises.
- La quincaillerie fournie avec le produit au moment de l'expédition doit être utilisée pour une installation adéquate. Ne pas utiliser de quincaillerie/pièces de rechange sauf avec l'approbation d'Honeywell Safety Products. Toutes les instructions de montage doivent être suivies, y compris les instructions d'installation fournies avec la quincaillerie. Pour toutes divergences, communiquez avec le service technique de Honeywell.
- Un ingénieur ou un technicien qualifié doit s'assurer que la structure du toit à laquelle le système est installé répond à toutes les exigences de résistance à la traction et de cisaillement tel qu'indiqué à la section 4.1.
- Pour toutes questions au sujet des exigences d'installation et/ou des procédures, veuillez communiquer avec le service technique d'Honeywell en composant le 800.873.5242 (appuyez sur le 4).

Outils nécessaires pour l'installation

Toitures avec joints debout :	clé ou douille de 13 mm ou ½ po
Membrane :	mèche de 6,35 mm (¼ po) (d'une longueur jusqu'à 266,7 mm ou 10,5 po), mèche de 31,75 mm (1,25 po), mèche de 25,4 mm (1 po), et un petit aimant à l'intérieur de la douille de 17 mm (0,67 po)
Revêtement de métal :	une (1) mèche entre 6,53 mm (0,257 po) et 6,63 mm (0,261 po), pistolet à river
Trapézoïdal :	une (1) mèche entre 6,53 mm (0,257 po) et 6,63 mm (0,261 po), pistolet à river
Bois :	mèche de 6,35 mm (¼ po) pour tirefonds
Béton :	mèche de 13 mm (½ po) (120,65 mm/4,75 po), clé à douille 19 mm (¾ po)

**clé ou douille de 19 mm ou ¾ po – afin de serrer le haut des supports intermédiaires
17 mm ou 11/16 po – pour serrer la quincaillerie des supports intermédiaires**

Gants – pour manipuler le câble

Pincés – pour plier la clavette

Douille de 13 mm ou (1/2 po) pour pincés à trois (3) câbles afin de contenir la tension du câble

Douille de 19 mm ou ¾ po et clé pour serrer le maillon de l'ancrage

Sangle d'amarrage à cliquet – pour tendre le corde d'assurance horizontale

Deux (2) morceaux de corde de 0,9 m (3 pi) qui peuvent soutenir 181,4 kg (400 lb) de résistance à la traction – utilisés en série avec l'amarrage à cliquet

Petit pied de biche – pour garder la cosse droite lors du serrage

Tournevis à pointe cruciforme (Phillips) avec une dimension de l'arbre inférieure à 7 mm (0,28 po) – pour le réglage du tendeur de câbles

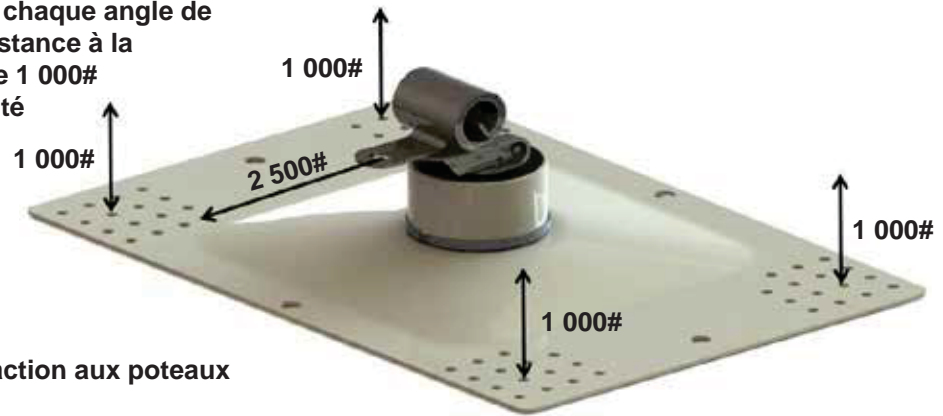
Clé de 17 mm ou 11/16 po – après le tensionnement du tendeur de câbles, pour serrer les contre-écrous dans le corps du tendeur de câbles

4.1 Exigences de résistance à la traction et au cisaillement

Un ingénieur ou un technicien qualifié doit s'assurer que la structure du toit à laquelle le système ShockFusion est installé est capable de supporter la résistance à la traction et les forces de cisaillement potentielles qui pourraient être imposées aux endroits où les poteaux d'ancrage d'extrémité et intermédiaires sont fixés. Les exigences de résistance à la traction et de cisaillement sont basées sur le facteur de sécurité 2:1.

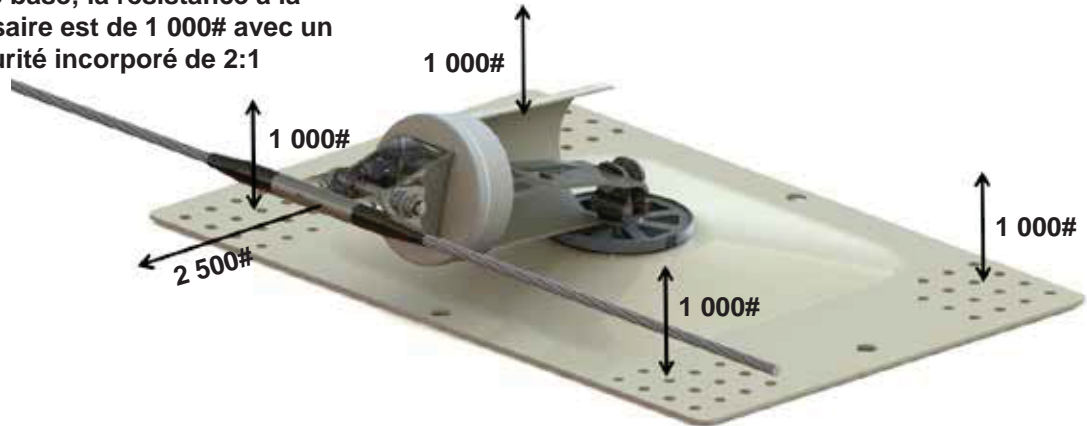
Distribution de la force de traction aux poteaux d'extrémité

- La force de traction maximale aux poteaux d'extrémité est de 500# à chaque angle de la plaque de base; la résistance à la traction nécessaire est de 1 000# avec un facteur de sécurité incorporé de 2:1



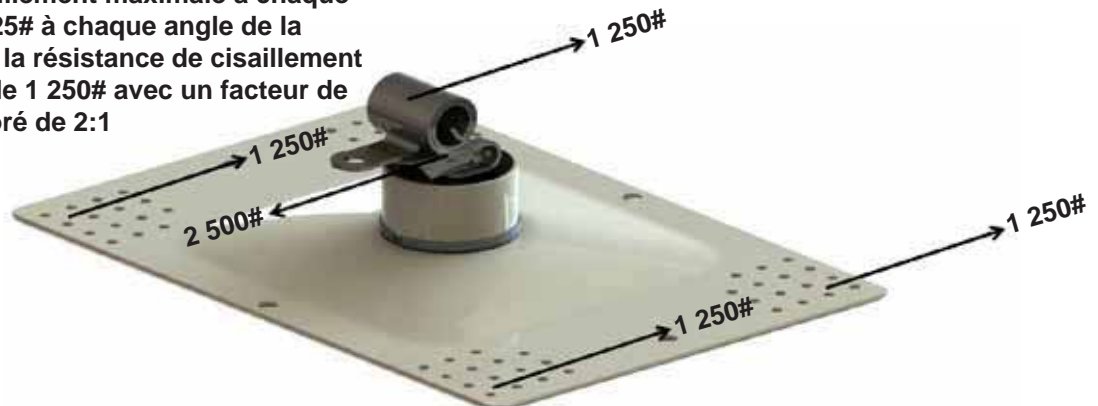
Distribution de la force de traction aux poteaux intermédiaires

- La force de traction maximale aux poteaux intermédiaires est de 500# à chaque angle de la plaque de base; la résistance à la traction nécessaire est de 1 000# avec un facteur de sécurité incorporé de 2:1



Distribution de la force de cisaillement à tous les poteaux

- La force de cisaillement maximale à chaque poteau est de 625# à chaque angle de la plaque de base; la résistance de cisaillement nécessaire est de 1 250# avec un facteur de sécurité incorporé de 2:1



4.2 Assemblage du poteau à la base

Assemblage du poteau à la base

1. Mettez le joint d'étanchéité sur la base en alignant les trous du centre comme sur la fig. 1a.
2. Insérez le filage du boulon du bas du poteau à travers le joint d'étanchéité et la base.
3. Bien serrer contre le joint d'étanchéité et la base.

Fig. 1a

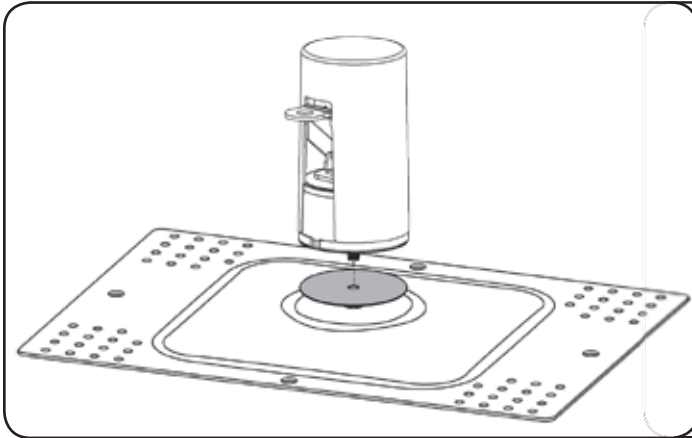
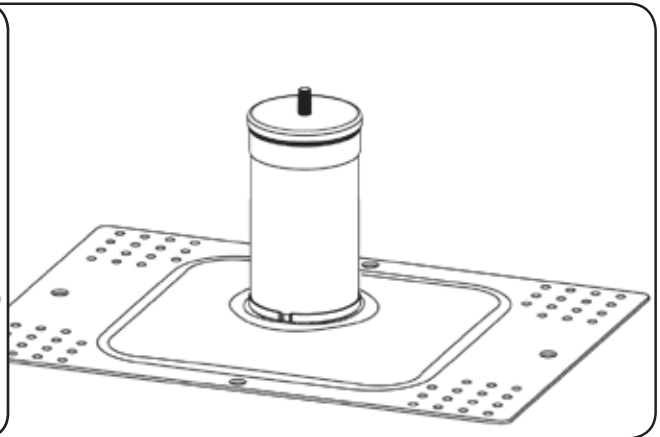
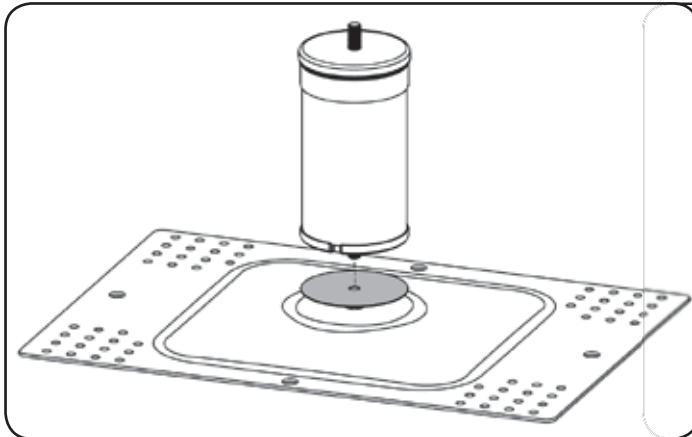
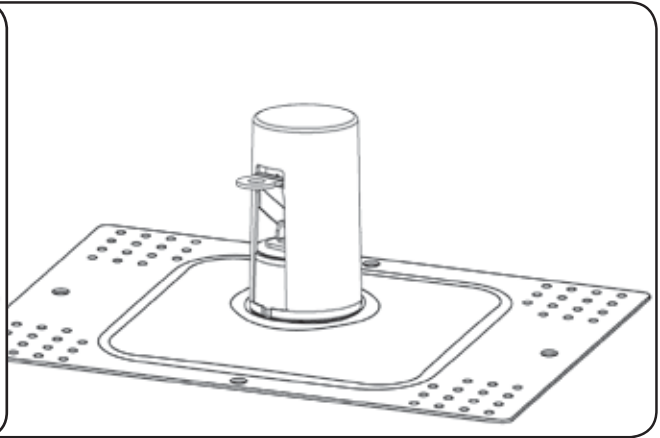


Fig. 1b -
Entièrement assemblé



4.3 Installation de la base

- Toujours suivre un plan du site ainsi que les règlements de travail du site préalablement approuvés lors de l'installation d'un ensemble de systèmes de cordes d'assurance horizontales pour toiture ShockFusion.
- La structure du toit à laquelle le système est installé doit être capable de soutenir les exigences de la charge comme établies dans la section 2.2 Avertissements et limitations du système.
- Le Guide de sélection ShockFusion génère la distance du bord à laquelle l'ensemble de systèmes spécifique au client doit être installé. Cependant, une vérification doit être faite afin de s'assurer que la structure du toit au point d'installation est en mesure de soutenir les charges d'un arrêt de chute éventuel. De plus, il faut tenir compte du dégagement de la chute ainsi que du dispositif de raccordement à utiliser sur le système.
- Des précautions appropriées doivent être prises pour s'assurer que l'installateur n'est pas exposé à un risque de chute pendant le processus d'installation.

4.3.1 Installation de la base aux toits à joints debout (Model X11011)

Les espacements des joints debout du toit doivent être déterminés avant de fixer les assemblages de pinces à la grande base à joints debout. Pour obtenir de l'aide afin de déterminer les rangées nécessaires pour créer l'espacement requis sur un toit à joints debout, veuillez vous référer au schéma d'espacement sur une grande base (fig. 2). Souvenez-vous que les assemblages de pinces sont conçus pour se centrer automatiquement, permettant ainsi de décaler légèrement l'espacement. Les assemblages de pinces peuvent être installés à n'importe quel deux trous de montage d'un diamètre de 8,64 mm (0,34 po) d'affilée à chacun des emplacements des quatre coins pour convenir à un nombre maximal de toits à joints debout avec diverses exigences d'espacement. Des rallonges optionnelles peuvent être utilisées pour les besoins d'espace supplémentaire.

**Schéma
d'espacement
pour grande base**

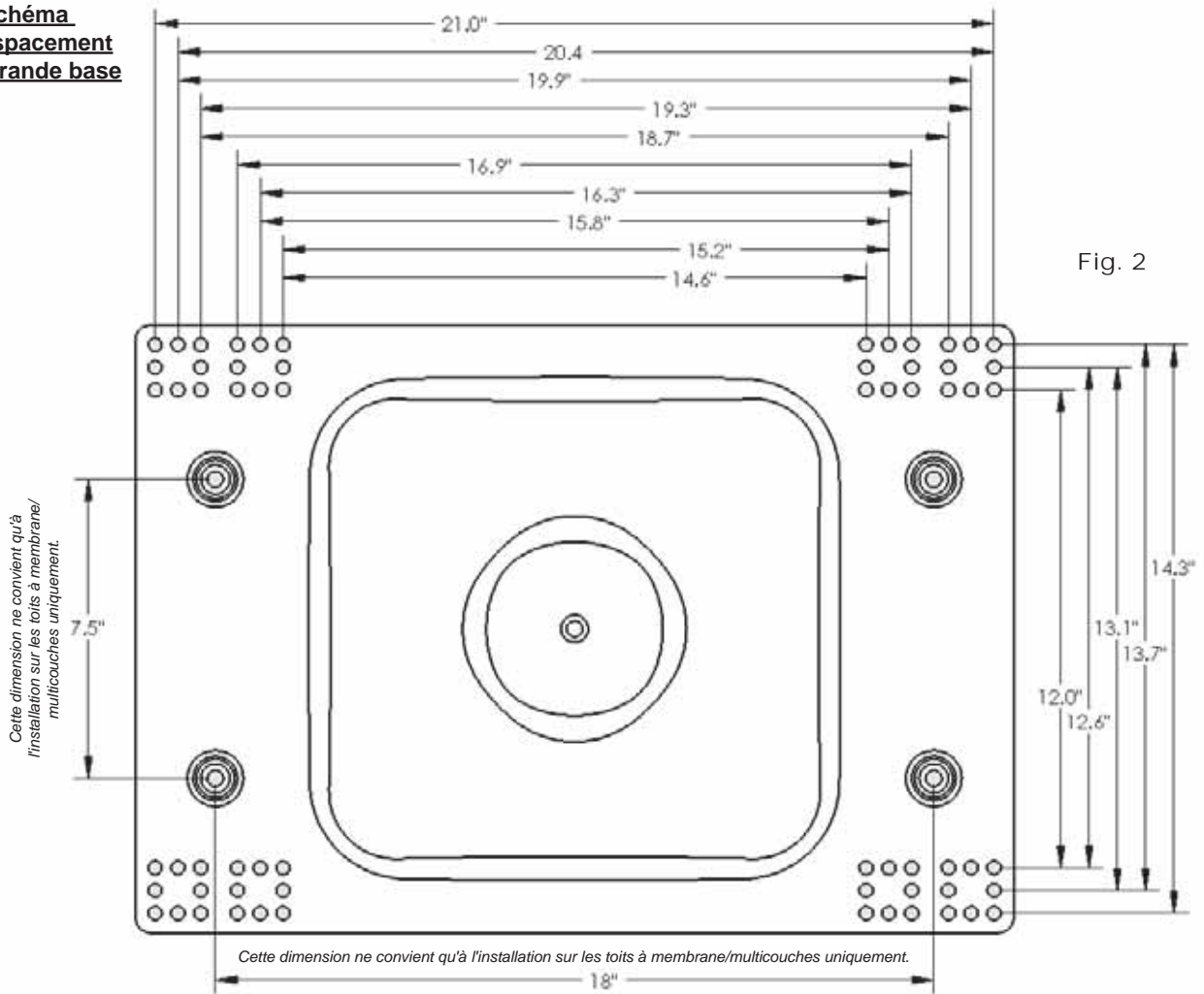


Fig. 2

En raison du grand nombre de styles de toitures à joints debout, les illustrations suivantes sont fournies afin de définir des lignes directrices pour l'établissement d'une installation adéquate et sécuritaire. En règle générale, les assemblages de pinces doivent toujours être installés au joint debout aussi profondément que possible sous un obstacle (le joint ne doit pas être plus étroit au-dessus de l'endroit où la pince est fermée sur le joint). Ne pas poser aux parties inclinées d'un joint debout, car il y a un risque que la pince glisse. Si vous avez des questions concernant l'installation adéquate d'un style de toit à joints debout particulier, communiquez avec le Service technique de Honeywell.

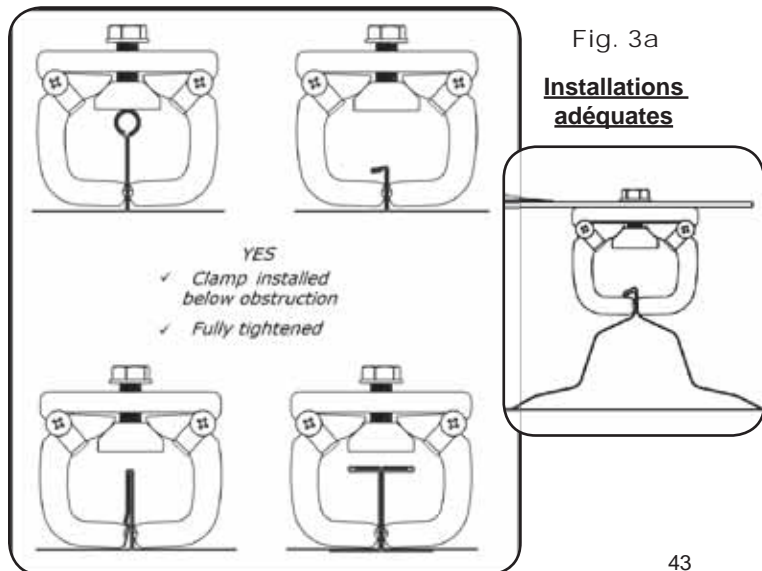


Fig. 3a

**Installations
adéquates**

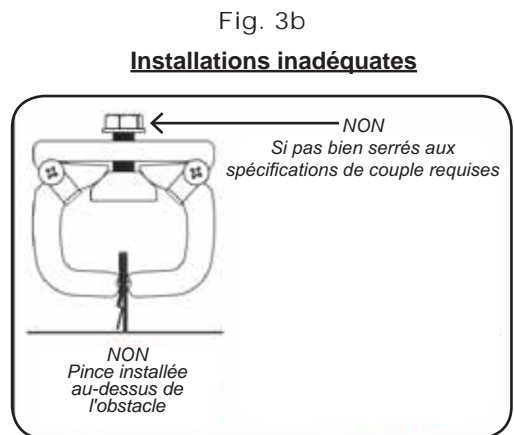


Fig. 3b

Installations inadéquates

Pour les ensembles de systèmes pour toiture ShockFusion, les poteaux d'extrémité ShockFusion ainsi que les poteaux intermédiaires sont installés aux toits à joints debout en utilisant les mêmes assemblages de montage pour toiture.

Installation avec grande base - modèle X11011 pour poteaux d'extrémité ShockFusion et poteaux intermédiaires Fusion

1. Une fois que l'espacement du joint debout a été déterminé, fixez un ensemble de pinces encapsulées (X11018) à chacun des quatre (4) coins de la base comme illustré à la fig. 4a. Passez complètement chaque boulon à travers la rondelle et le trou de montage de la base, puis dans le trou correspondant dans la barre de l'assemblage de pinces. Ne pas serrer avant que la base soit fixée sur le toit à joints debout.
2. Placez la base avec les ensembles de pinces ouvertes sur les joints debout et poursuivez avec la fermeture et le serrage des ensembles de pinces. Les ensembles de pinces sont conçus pour se centrer automatiquement afin de donner un alignement adéquat. Les toits à joints debout diffèrent, mais dans tous les cas, les pinces doivent se fermer au-dessous de l'obstacle du joint pour s'assurer qu'elles sont correctement fixées et qu'elles ne glissent pas (voir fig. 3a). Serrez les ensembles de pinces à 40 pi/lb (54 Nm), en alternant les boulons jusqu'à ce que tous les boulons soient serrés à la valeur de couple appropriée. *Remarque : une fois le premier boulon serré à 40 pi/lb (54 Nm), ne pas serrer les trois autres boulons plus de trois fois chacun.*

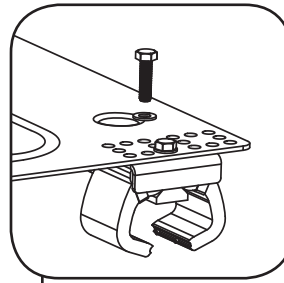


Fig. 4a

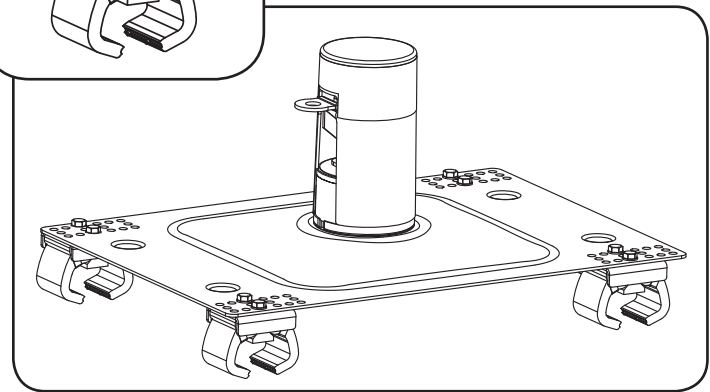


Fig. 4b

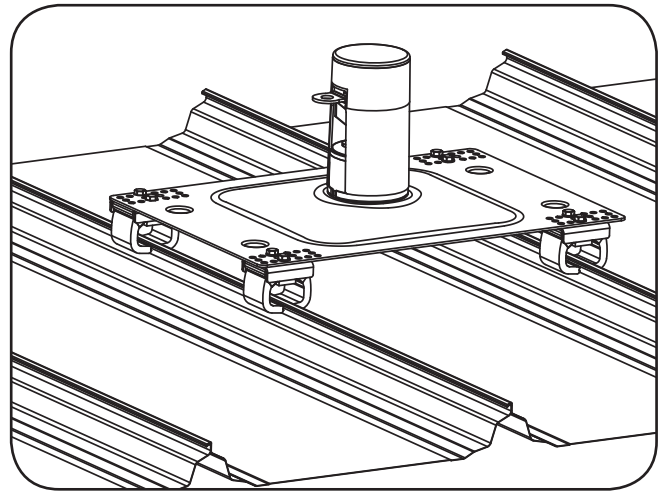


Fig. 4c -
Entièrement installé

Pour les ensembles de systèmes pour toiture ShockFusion, les poteaux d'extrémité ShockFusion ainsi que les poteaux intermédiaires sont installés aux toits à joints debout en utilisant les mêmes assemblages de montage pour toiture.

**Utilisation de rallonges - modèle X11020
avec grande base - modèle X11011
pour poteaux d'extrémité ShockFusion
et poteaux intermédiaires Fusion**

Pour les toits à joints debout avec un espacement supérieur à 540 mm (21,25 po) et jusqu'à 610 mm (24 po), des rallonges peuvent être ajoutées à la base.

1. Placez la rallonge sur le dessous de la base, en alignant les trous de la base avec ceux sur la rallonge.
2. Fixez la quincaillerie comme illustré à la fig. 5a. Insérez chaque boulon à travers la rondelle, la base et la rallonge, puis fixez la rondelle et l'écrou sur le dessous. Quatre boulons doivent être utilisés à chaque extrémité de la rallonge (pour un total de huit boulons) pour obtenir une installation adéquate.
3. Répétez la procédure pour la rallonge sur le côté opposé de la base. Serrez la quincaillerie de la rallonge jusqu'à un couple de 20 pi/lb (27 Nm).
4. Une fois que l'espacement du joint debout a été déterminé, fixez les ensembles de pinces aux rallonges à l'aide des barres de renfort, des cales et de la quincaillerie incluses comme illustré à la fig. 5b. Pour les ensembles de pinces situés aux extrémités de chaque rallonge, passez complètement chaque boulon (deux par ensemble de pinces) à travers la rondelle et les trous correspondants dans la barre de renfort (placée horizontalement à travers l'extrémité des deux rallonges), la rallonge et la barre d'ensemble de pinces. Pour les deux ensembles de pinces supplémentaires attachés au centre des barres de renfort à chaque extrémité de la base, passez chaque boulon complètement à travers la rondelle et les trous correspondants dans la barre de renfort, la cale et la barre d'ensemble de pinces. Un total de six ensembles de pinces sont requis pour une installation adéquate de la grande base avec des rallonges. Ne pas serrer avant que la base soit fixée sur le toit à joints debout.

5. Placez la base avec les ensembles de pinces ouvertes sur les joints debout et poursuivez avec la fermeture et le serrage des ensembles de pinces. Les ensembles de pinces sont conçus pour se centrer automatiquement afin de donner un alignement adéquat. Les toits à joints debout différents, mais dans tous les cas, les pinces doivent se fermer au-dessous de l'obstacle du joints pour s'assurer qu'elles sont correctement fixées et qu'elles ne glissent pas (voir fig. 3a). Serrez les ensembles de pinces à 40 pi/lb (54 Nm), en alternant les boulons jusqu'à ce que tous les boulons soient serrés à la valeur de couple appropriée. *Remarque : une fois le premier boulon serré à 40 pi/lb (54 Nm), ne pas serrer les trois autres boulons plus de trois fois chacun.*

Fig. 5a

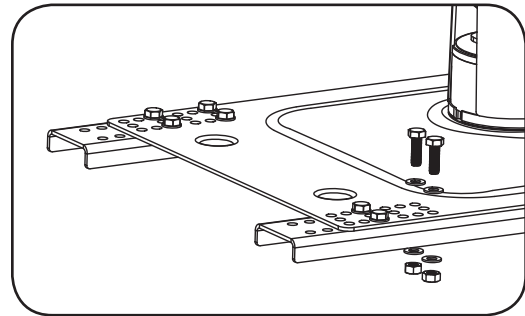


Fig. 5b

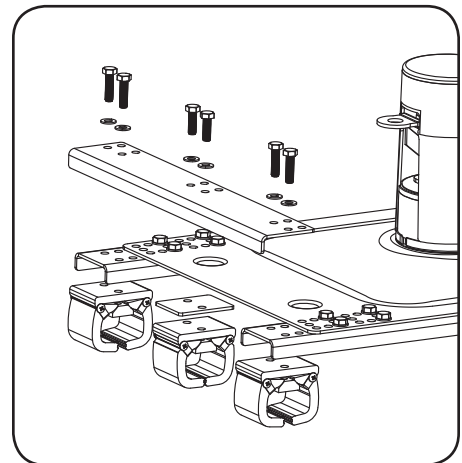
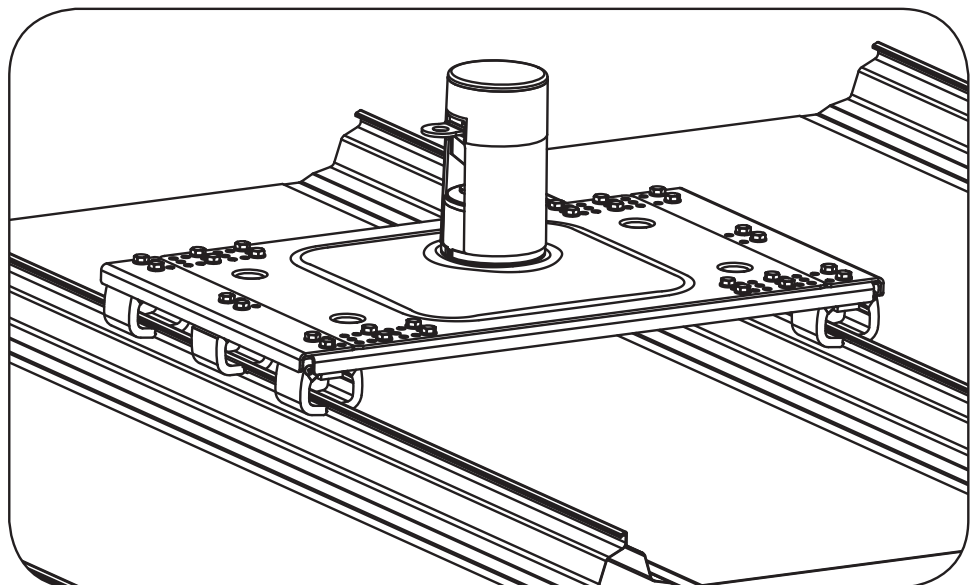


Fig. 5c - Entièrement installé



4.3.2 Installation de la base avec revêtement de métal (Model X11013)

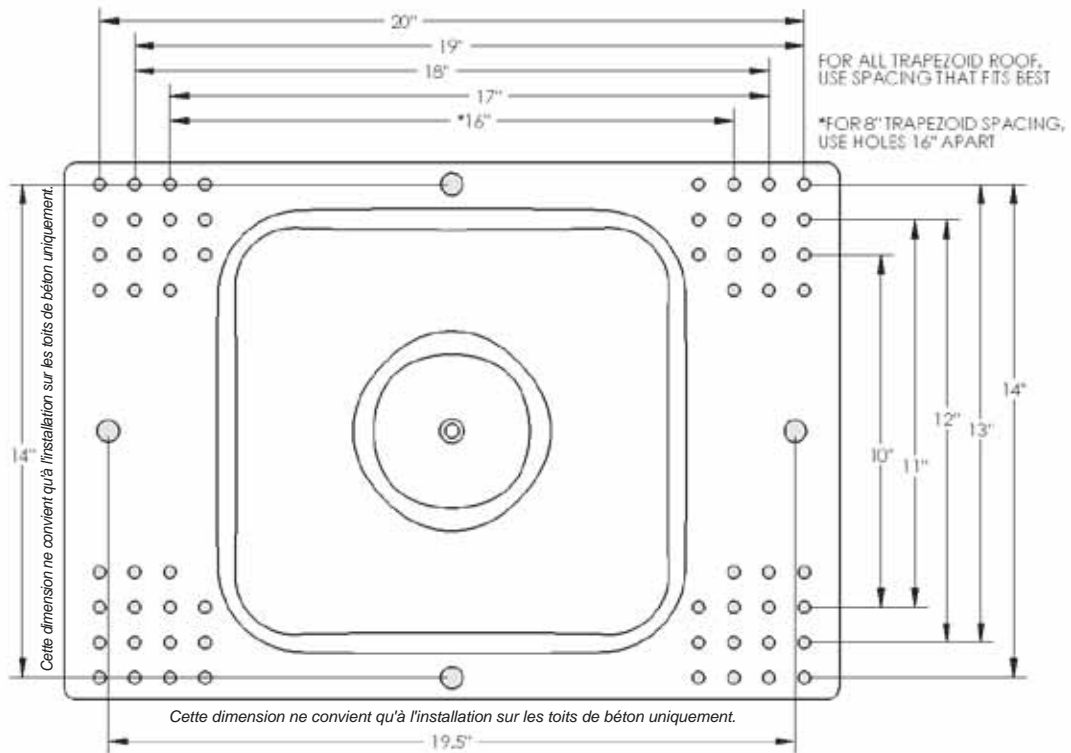
Le modèle X10013 (base polyvalente) se fixe aux toits avec revêtement plat en métal et trapézoïdaux en métal profilé/nervuré. L'utilisation des poteaux d'extrémité ShockFusion ou les poteaux intermédiaires Fusion n'affecte pas l'installation de la base à un revêtement en métal.

Base polyvalente - modèle X11013

1. Placez la base sur le platelage métallique afin qu'une rangée de trous de montage d'un diamètre de 8,64 mm (0,34 po) s'aligne avec les côtes du platelage à chacun des quatre coins de la plaque de base comme illustré à la fig. 7a. Se référer au schéma d'espacement (fig. 6) au besoin. Les trous de montage doivent être centrés sur les couronnes des côtes du platelage. Ne jamais aligner les trous de montage sur les vallées des côtes ou sur les côtés inclinés des côtes du platelage.
2. Avec la base en position, percez quatre (4) avant-trous de diamètre entre 6,53 mm (0,257 po) et 6,63 mm (0,261 po) dans une rangée à travers les côtes du platelage à chacun des emplacements de montage des coins pour un total de 16 trous.
3. Retirez la base et placez une longueur de ruban d'étanchéité sur chaque ensemble d'avant-trous.
4. Remplacez la base sur le platelage de métal en alignant les avant-trous avec les trous de montage sur la plaque de la base. Installez chacun des 16 rivets à travers une rondelle d'étanchéité et le trou de montage correspondant de la base puis dans les avant-trous et le ruban d'étanchéité dans les côtes du platelage en utilisant un outil de rivetage approprié.

AVERTISSEMENT : tous les seize (16) rivets avec rondelles d'étanchéité doivent être utilisés afin de fixer la base de manière adéquate.

Fig. 6



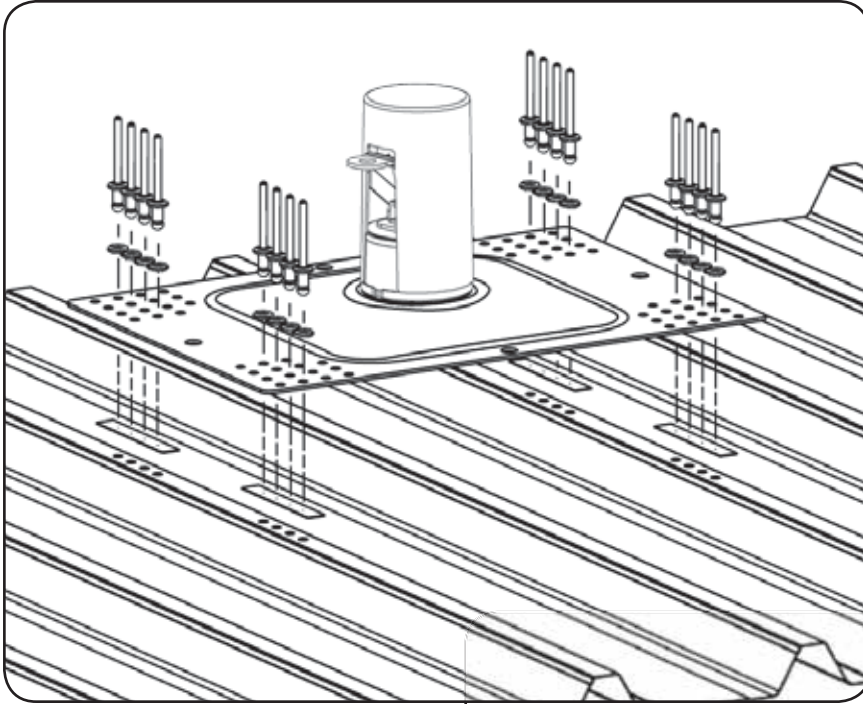
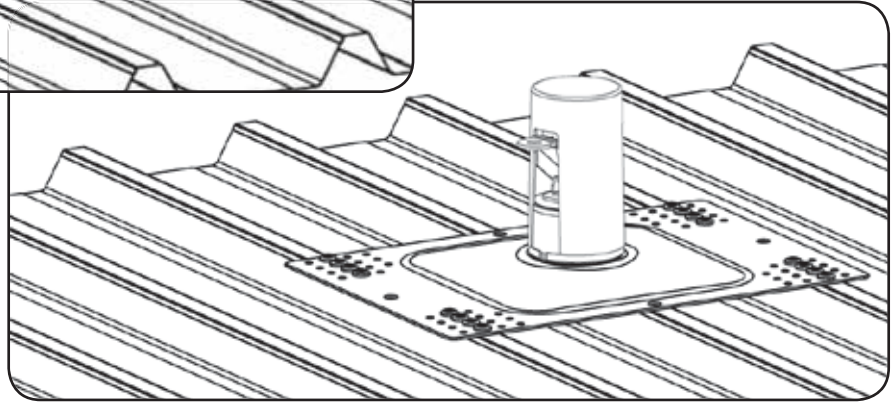


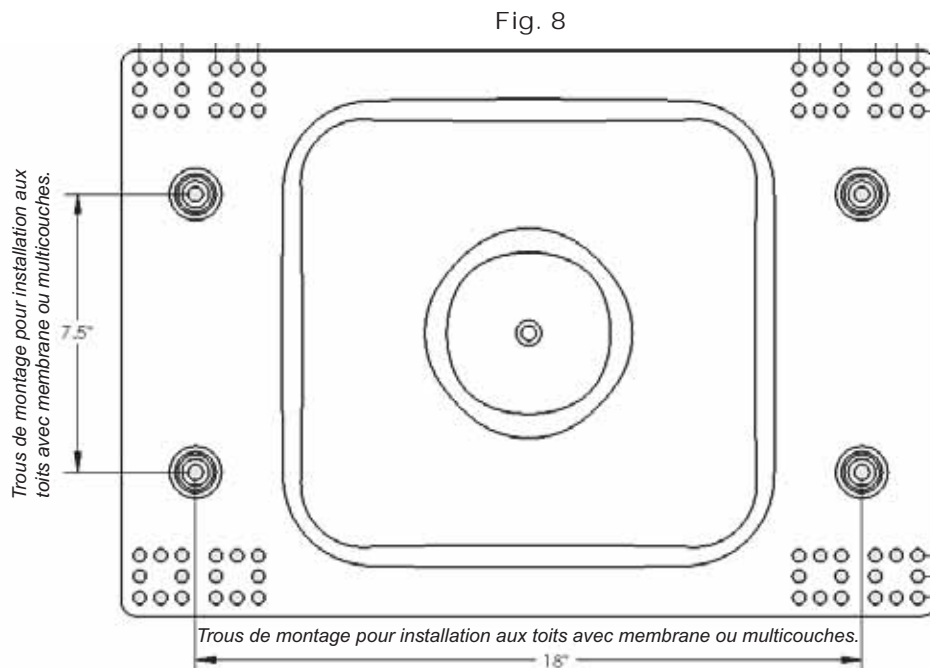
Fig. 7a

Fig. 7b -
Entièrement installé



4.3.3 Installation de la base aux toits avec membrane et multicouches (Modèles X11012)

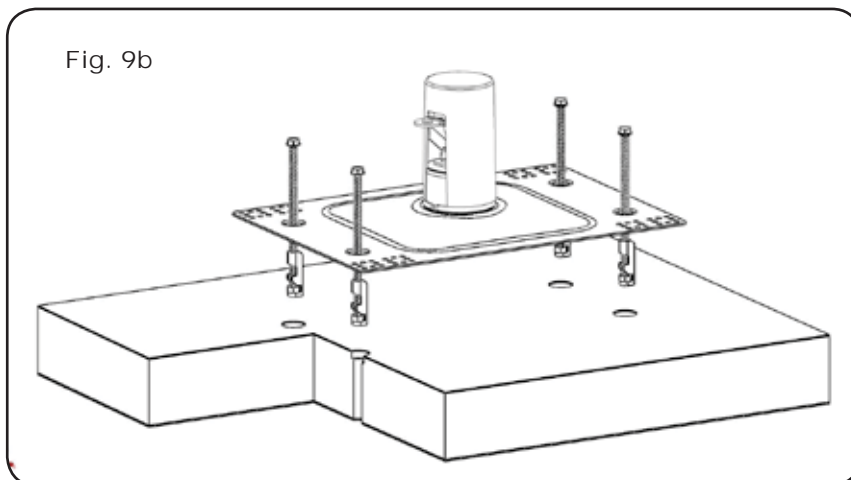
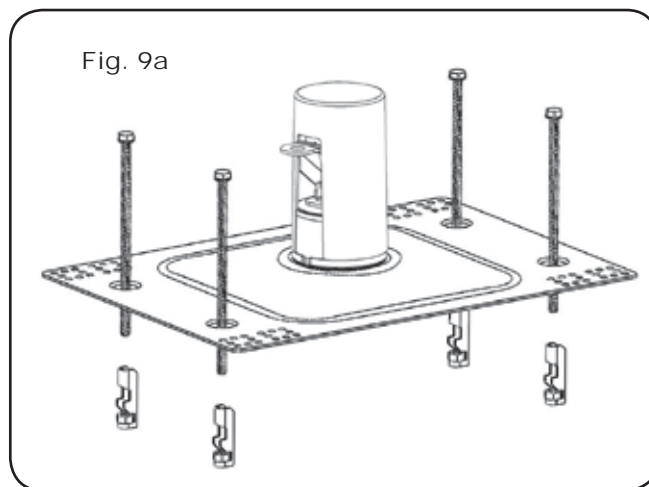
Le modèle de base X11012 est conçu pour l'installation aux toits avec membrane ou multicouches. Le modèle X11004 est un ensemble de boulons à ailettes pour les toits avec membrane ou multicouches avec une épaisseur combinée jusqu'à 140 mm (5,5 po), tandis que le modèle X11005 est un ensemble de boulons à ailettes pour les toits multicouches avec une épaisseur combinée entre 140 mm (5,5 po) et 267 mm (10,5 po). L'utilisation des poteaux d'extrémité ShockFusion ou les poteaux intermédiaires Fusion n'affecte pas l'installation de la base aux toits avec membrane ou multicouches.



1. Placez la base à l'endroit souhaité sur le toit.

Remarque : tous les quatre (4) trous de montage doivent être situés sur le platelage du toit. Veillez à ce que les trous de montage ne soient pas situés directement au-dessus d'un soutènement du toit ni d'une poutre structurelle qui pourrait interférer avec l'installation du cabillot. Se référer au schéma d'espacement (fig. 8) au besoin. Lorsqu'un platelage métallique nervuré est un composant d'un toit avec membrane ou multicouches, les boulons à ailettes doivent être situés sur la surface plate de la couronne ou sur la surface plate de la noue, mais ne doivent pas se trouver sur la surface inclinée des côtes.

2. Avec la base en position, utilisez la base comme gabarit pour marquer les quatre emplacements des trous de montage.
3. Retirez la base et percez des avant-trous avec une mèche de 6,35 mm (1/4 po) afin d'assurer le positionnement adéquat des boulons à ailettes sur le platelage nervuré. La mèche déviara si elle touche la surface inclinée des côtes; dans ce cas, la base doit être repositionnée, les trous de montage remarqués et de nouveaux avant-trous percés jusqu'à ce qu'on trouve un emplacement d'installation approuvé.
4. Une fois les avant-trous percés avec succès, mettez la base de côté et percez quatre (4) trous d'un diamètre de 31,75 mm (1,25 po) à travers la membrane et dans l'isolation de 1 po (25,4 mm) de profondeur. Ce trou agit comme outil de lamage afin d'asseoir correctement l'ancrage de la toiture.
5. Ensuite, percez quatre (4) trous d'un diamètre de 25,4 mm (1 po) dans le centre de chaque lamage déjà percé à travers l'isolant, puis dans le platelage du toit.



6. Assemblez le cabillot et les écrous ensemble puis placez-les sous la plaque de la base (voir fig. 9a). Insérez le boulon dans la plaque et vissez dans l'écrou jusqu'à engagement complet (voir fig. 9b). Ne laissez pas plus d'un filet exposé au-delà de l'écrou, car cela interférera avec la fonction du cabillot. Faites de même avec les trois autres cabillots.
7. Une fois les cabillots/écrous/boulons assemblés à la plaque, placez au-dessus des trous prépercés et insérez au toit (voir fig. 9c).
8. Secouez les cabillots plusieurs fois pour les faire basculer en position horizontale (voir fig. 9d). Vérifiez en soulevant l'assemblage de boulons à ailettes pour vous assurer que les cabillots sont bien renversés et qu'ils ne sortent pas des trous.
9. Placez l'aimant dans la douille de 17 mm (voir fig. 9e). Placez la douille sur le boulon et utilisez une perceuse ou un tournevis pour soulever le cabillot jusqu'à ce que le contact soit établi avec le bas du toit (voir fig. 9f).
10. Exercez une force vers le haut pour garder le cabillot stationnaire pendant que vous serrez le boulon à ailettes avec la perceuse ou le tournevis.

Fig. 9c

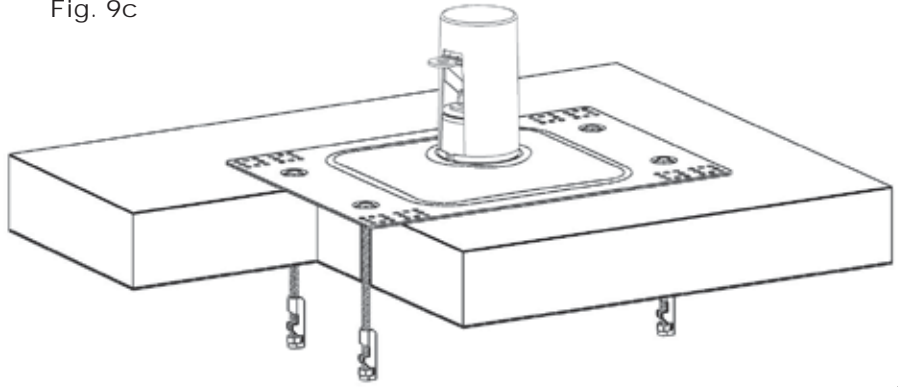


Fig. 9d

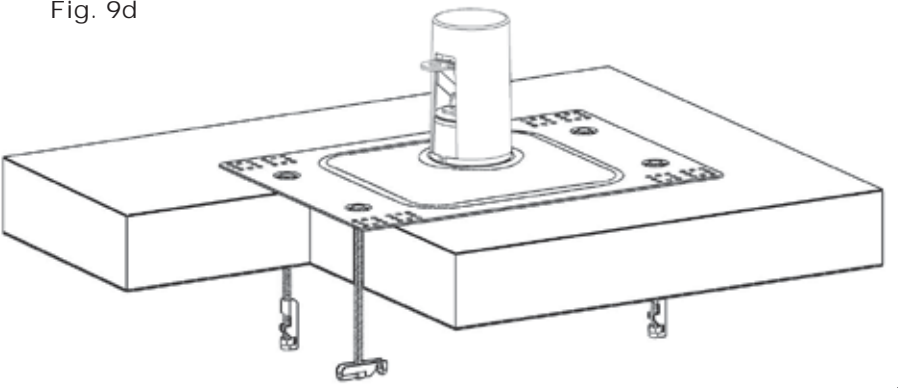


Fig. 9e

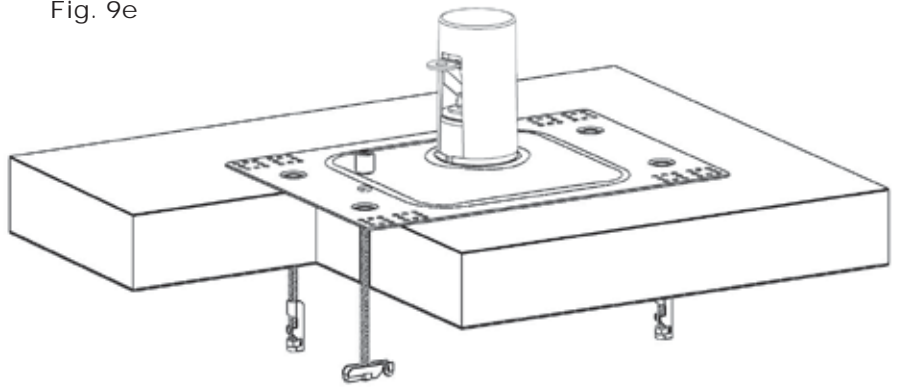
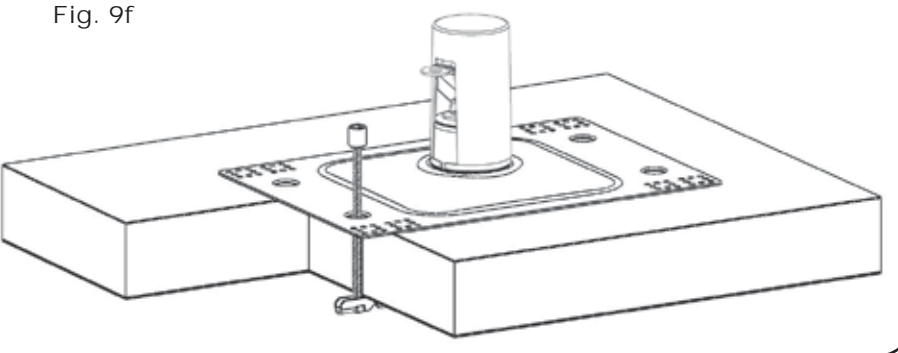
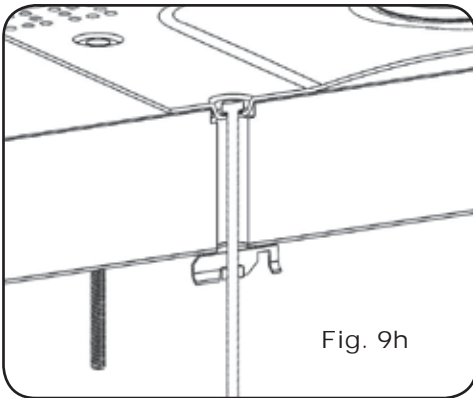
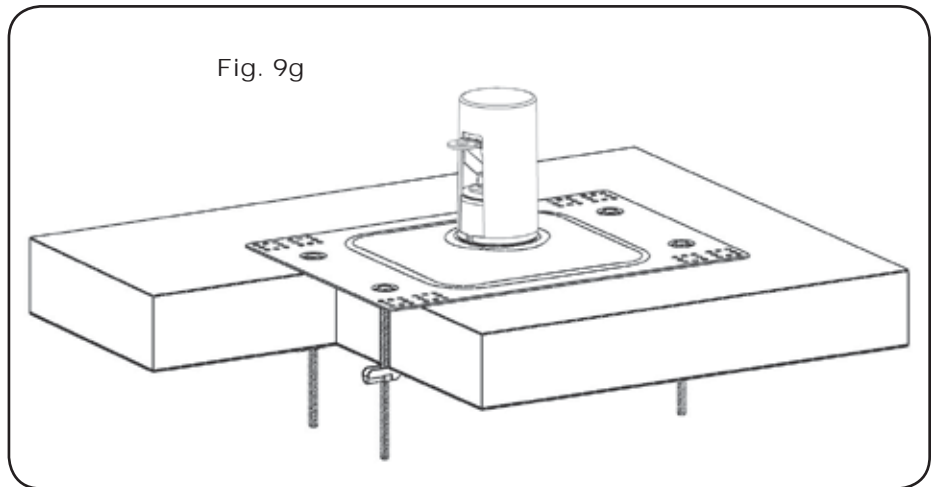


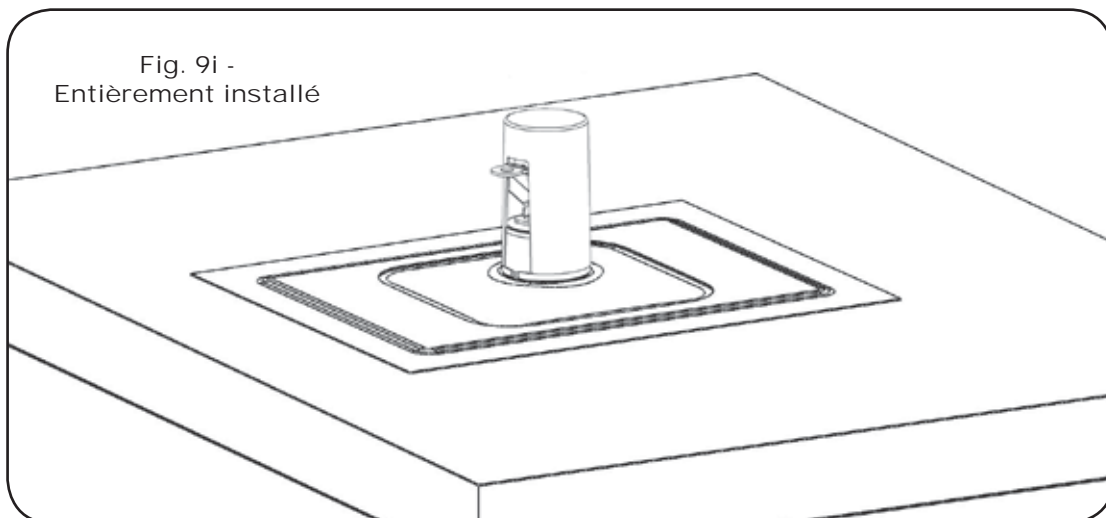
Fig. 9f



11. Une fois que le cabillot est entièrement monté et assis (voir fig. 9g et 9h), serrez à un couple d'environ 10 à 15 pi/lb (14-20 Nm). Répétez pour les trois autres assemblages de boulons à ailettes.
12. Appliquez du mastic (ou autre produit d'étanchéité) autour de chaque tête de boulon. Remplissez toute la partie ouverte dans le lamage de chacun des quatre trous. Un surremplissage est conseillé, car cela protégera contre l'usure du boulon dans la membrane en raison de la circulation.
13. Posez le joint de la membrane autour de plaque de la base et scellez tous les bords avec un scellant pour toiture.



Remarque : un entrepreneur de toiture approuvé pour l'entretien de la membrane doit être engagé afin de protéger correctement les poteaux d'ancrage du toit contre les intempéries une fois installés.



4.3.4 Installation de la base aux toits à revêtement de bois (Modèle X11013)

Le modèle de base X11013 est également conçu pour être installé sur un platelage de toit en contreplaqué. Pour les installations où une membrane pour toit, de l'isolation ou d'autres matériaux de toiture couvrent le platelage en contreplaqué, utilisez le modèle de base X11012. (Voir la section 4.3.3 Installation de la base aux toits avec membrane et multicouches.) L'utilisation des poteaux d'extrémité ShockFusion ou les poteaux intermédiaires Fusion n'affecte pas l'installation de la base à un platelage de toiture en contreplaqué.

1. Placez la base à l'endroit souhaité sur le toit.

Remarque : *tous les trous de montage doivent être situés sur le platelage du toit. Veillez à ce que les trous de montage ne soient pas situés directement au-dessus d'un soutènement du toit ou d'une poutre structurelle avec une épaisseur et/ou des matériaux qui pourraient interférer avec l'installation de tirefonds.*

2. Avec la base en position, percez quatre (4) avant-trous d'un diamètre de 6,53 mm (1/4 po) dans le platelage en contreplaqué à chacun des emplacements de montage des coins pour un total de 16 trous (voir fig. 10a). N'importe lesquels des quatre (4) trous de montage peuvent servir pour l'installation tant qu'ils ne sont pas adjacents à un autre.
3. Installez chacun des 16 tirefonds à travers le trou de montage de la base puis dans les avant-trous correspondants dans le platelage en contreplaqué. Serrez les tirefonds jusqu'à ce qu'ils soient bien ajustés et correctement assis.

AVERTISSEMENT : **tous les seize (16) tirefonds doivent être utilisés afin de fixer la base de manière adéquate. Ne pas trop serrer les tirefonds, car cela peut endommager le platelage en contreplaqué, résultant ainsi en une force insuffisante pour soutenir le potentiel des forces d'arrêt de chute.**

Fig. 10a

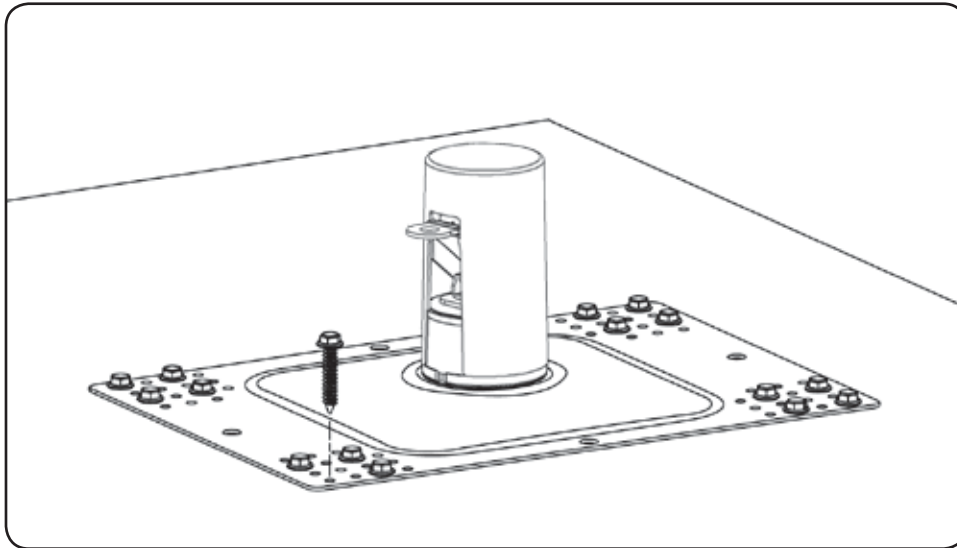
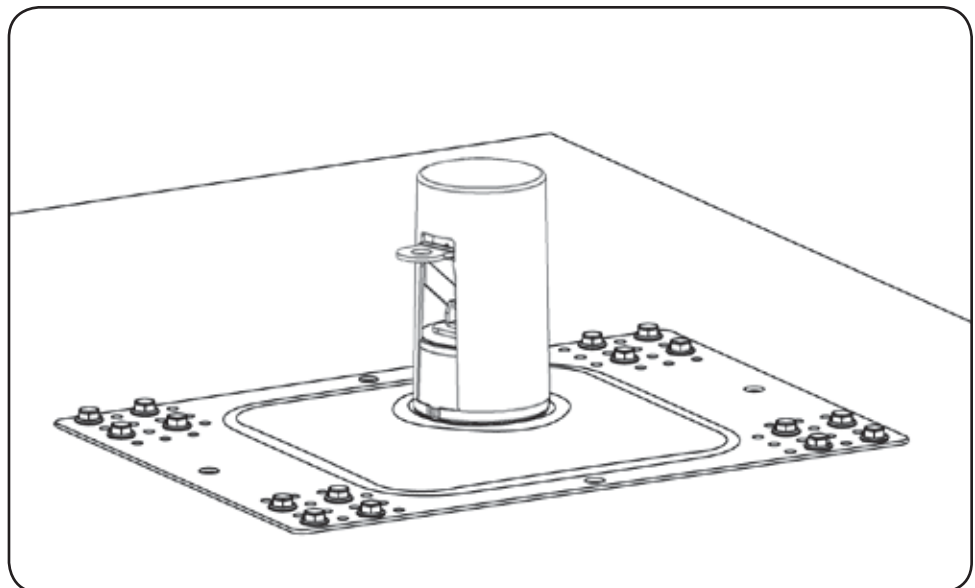


Fig. 10b -
Entièrement installé



4.3.5 Installation de la base avec toits en béton (Model X11013)

Le modèle de base X11013 est conçu pour l'installation sur des toits en béton. Le béton doit avoir une résistance minimale à la compression de 3 000 PSI (20,7 MPa) et une épaisseur minimale de 165 mm (6,5 po). L'utilisation des poteaux d'extrémité ShockFusion ou les poteaux intermédiaires Fusion n'affecte pas l'installation de la base sur des toits en béton.

Fig. 11a

1. Placez la base à l'endroit souhaité sur le toit.
2. Avec la base en position, utilisez la base comme gabarit pour marquer les quatre emplacements des trous de montage comme illustré à la fig. 11a.
3. Retirez la base et percez un trou de 12,7 mm (1/2 po) à une profondeur de 120,65 mm (4 3/4 po) à chacun des quatre (4) emplacements de montage.
4. Nettoyez tous les débris de chaque trou à l'aide d'une poire.
5. Repositionnez la base sur le toit en alignant les trous de montage par-dessus les trous percés.
6. Puis, entrez un boulon extensible à travers le trou de montage de la base et dans le trou percé correspondant à chacun des quatre (4) emplacements de montage (voir fig. 11b).
7. Assurez-vous que la face inférieure de la tête du boulon extensible est de niveau avec la plaque de la base avant de serrer. Serrez chaque boulon entre 50 et 60 pi/lb (68-81Nm) à l'aide d'une clé à douille de 19 mm (3/4 po).

AVERTISSEMENT : tous les quatre (4) ancrages à boulons extensibles doivent être utilisés **pour fixer la base de manière adéquate.**

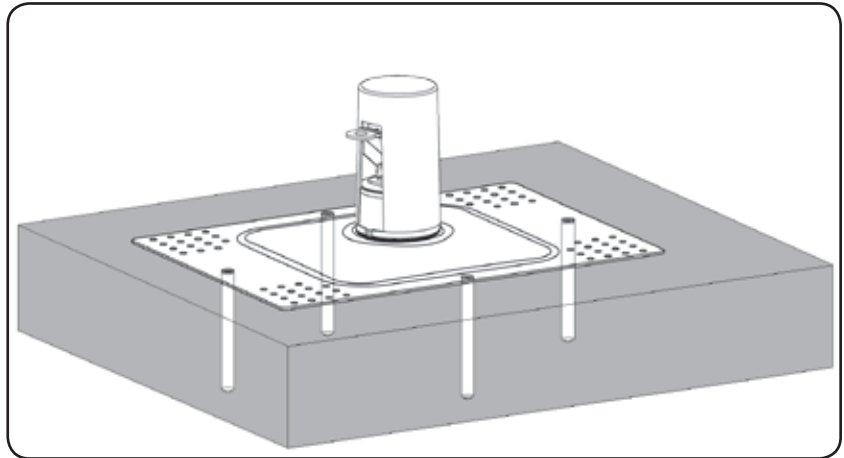


Fig. 11b

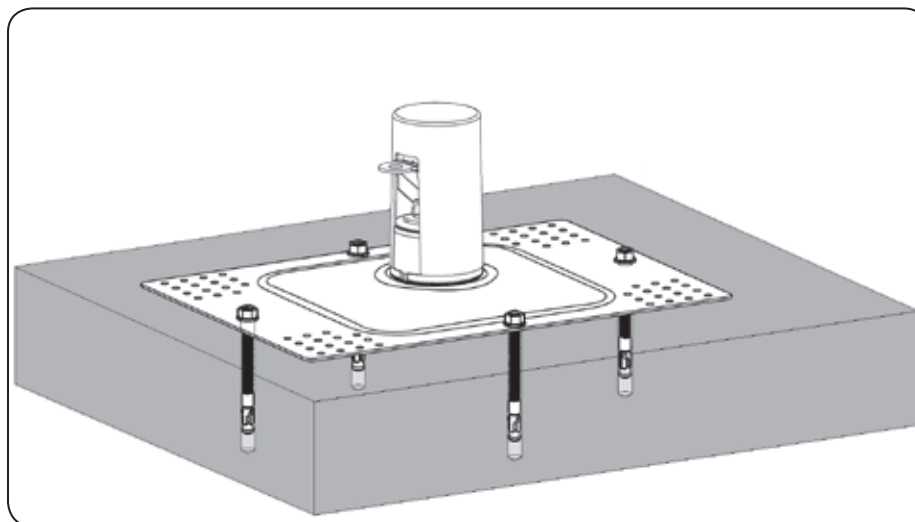
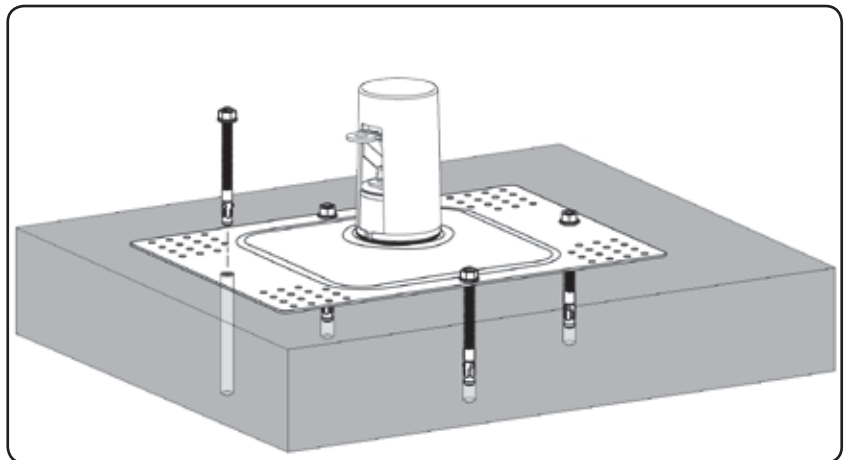


Fig. 11c -
Entièrement
installé

4.4 Assemblage et installation des cordes d'assurance horizontales

4.4.1 Assemblage des cordes d'assurance horizontales et installation au système de poteaux pour toiture

Les ensembles de cordes d'assurance horizontales ShockFusion comprennent un embout pré-estampé qui comporte le tendeur estampé avec un indicateur de tension. L'autre extrémité du cordage d'assurance devra être arrêtée sur place en installant une pièce de fixation à la cosse du câble, en la sécurisant à l'aide de serre-câbles, puis en couplant le câble excédentaire. **NE COUPEZ PAS LE CÂBLE DU CORDAGE D'ASSURANCE TANT QUE LES DEUX EXTRÉMITÉS NE SONT PAS COMPLÈTEMENT INSTALLÉES AVEC LES SANGLES À CLIQUET SUPPRIMÉES ET LE CORDAGE D'ASSURANCE CORRECTEMENT TENDU COMME INDIQUÉ SUR LE DISQUE DE L'INDICATEUR DE TENSION.**

AVERTISSEMENT : portez toujours des gants et des lunettes de protection lors de l'inspection ou de l'installation du câble d'un cordage d'assurance.



Fig. 12

Installation d'un tendeur estampé pour cordage d'assurance avec indicateur de tension au poteau d'extrémité ShockFusion

Remarque : *il est recommandé que l'embout estampé avec tendeur de câbles soit situé à l'entrée des utilisateurs la plus courante du système de corde d'assurance horizontale afin que l'indicateur de tension soit facilement accessible pour l'inspection avant l'utilisation.*

1. Fixez l'extrémité de la pièce de fixation du tendeur estampé au poteau pour toit en bout en alignant le maillon d'attache de l'extrémité de la pièce de fixation avec l'œillet d'ancrage dépassant du poteau pour toit et l'installation de l'axe épaulé fourni (voir fig. 13a).
2. Puis fixez l'axe épaulé en installant la goupille fendue, en pliant les extrémités avec une pince à bec plat.
3. Une fois que le tendeur estampé est installé de façon sécuritaire, réglez le tendeur selon les mesures indiquées à la fig. 13c. Ceci permettra d'effectuer le serrage et le réglage de la tension du système plus tard.

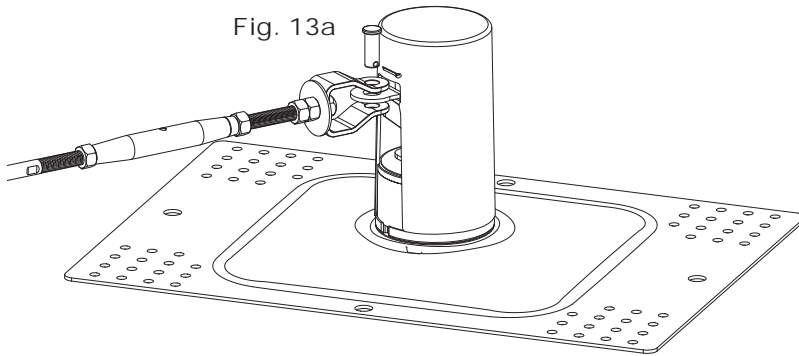


Fig. 13a

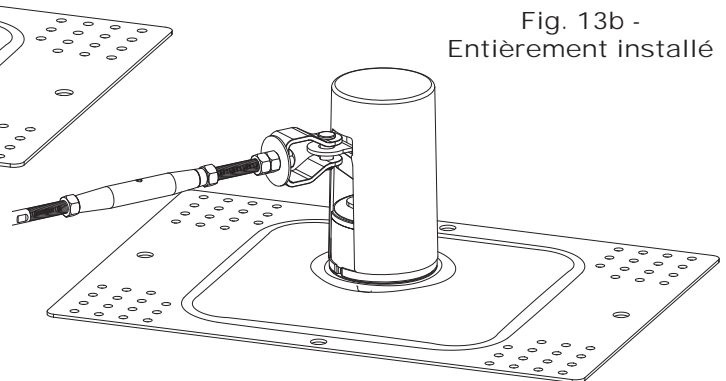


Fig. 13b -
Entièrement installé

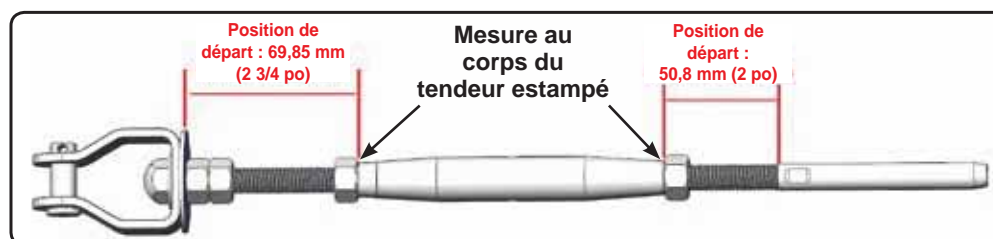


Fig. 13c

Installation du câble du cordage d'assurance aux poteaux intermédiaires Fusion avec des supports intermédiaires universels

Les poteaux intermédiaires Fusion seront montés avec le support intermédiaire universel (modèle X11014), qui est conçu pour les raccordements de cordage d'assurance à passe-fils droits et courbés de 5° ou moins.

1. Déroulez le câble le long du système de cordage d'assurance.
2. Installez tous les assemblages guides/soutiens pour le câble (les parties supérieures des supports intermédiaires universels) sur l'extrémité libre du câble en insérant le câble à travers les guides du câble. Puis, glissez tous les assemblages le long du parcours du cordage d'assurance jusqu'à ce qu'il y en ait un de situé à chaque poteau intermédiaire.

Fig. 14a



3. Ensuite, installez sans trop serrer le maillon d'attache de chaque support à son poteau correspondant en alignant le maillon d'attache sur le boulon qui dépasse sur le dessus du poteau puis en fixant la rondelle et l'écrou.
4. Ensuite, raccordez l'assemblage guide/soutien du câble (avec câble) au maillon d'attache à l'aide de la vis, de la rondelle et de l'écrou.

Remarque : tous les supports intermédiaires doivent être placés à une position fixe et inclinés de la même façon sur tout le système de cordage d'assurance (voir fig. 14b et la remarque correspondante).

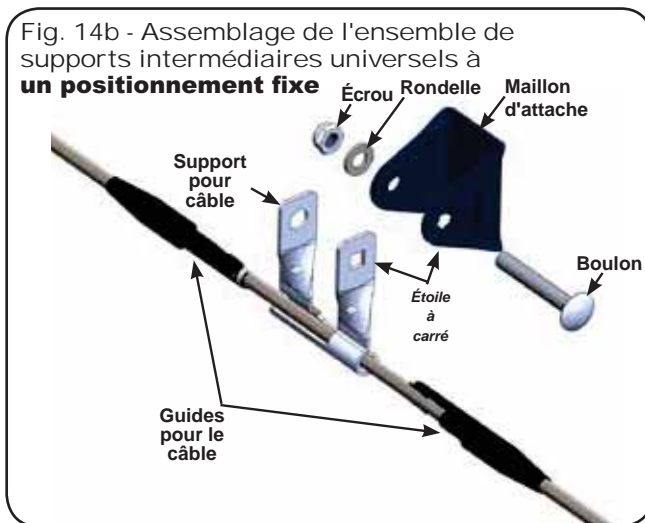


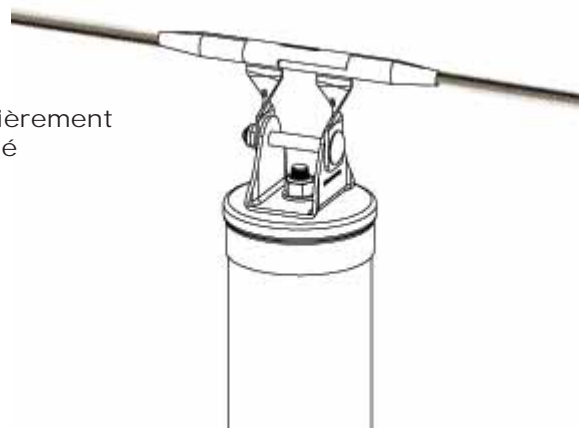
Fig. 14b - Assemblage de l'ensemble de supports intermédiaires universels à un positionnement fixe

Fig. 14b Remarque : le support intermédiaire universel doit être placé sur une position fixe lorsqu'il est utilisé avec le système de cordes d'assurance horizontales pour toiture ShockFusion. Il peut être fixé en position droite comme illustré ou à un angle de 45° par incréments jusqu'à 90° dans les deux sens. Pour régler la position du support du câble, alignez le trou en forme d'étoile dans le maillon d'attache avec le trou carré dans le support du câble (voir fig. 14a) et placez l'angle du support dans la position fixe souhaitée. Insérez le boulon complètement à travers les trous alignés. (Le boulon doit passer par le côté avec le trou étoile.) Fixez la rondelle et l'écrou. Assurez-vous que le support du câble est correctement réglé en position fixe; le support du câble ne doit jamais être flottant lorsqu'il est utilisé avec ce système.

5. Enfin, à partir de l'extrémité estampée du cordage d'assurance du système, alignez chaque support et serrez au poteau du toit.

Remarque : vérifiez à nouveau afin de vous assurer que tous les supports intermédiaires ont été placés à une position fixe aux mêmes angles, qu'ils sont droits et alignés avec le système de cordage d'assurance, et qu'ils sont fixés aux poteaux de façon sécuritaire.

Fig. 14c - Entièrement installé



Installation de la cosse et du maillon d'ancrage sur le poteau d'extrémité ShockFusion

1. Retirez la clavette, l'écrou et le boulon du maillon d'ancrage.
2. Placez la cosse sur le maillon d'ancrage.
3. Ensuite, alignez le maillon d'ancrage avec l'œillet d'ancrage dépassant du poteau pour toit et insérez le boulon entièrement à travers le maillon d'ancrage et l'œillet d'ancrage du poteau. Fixez l'écrou puis resserrez bien à l'aide d'une clé de 19 mm (3/4 po) et une douille.
4. Insérez la clavette dans l'extrémité du boulon et pliez légèrement afin d'empêcher la clavette de sortir.

Fig. 15a



Fig. 15b -
Entièrement installé



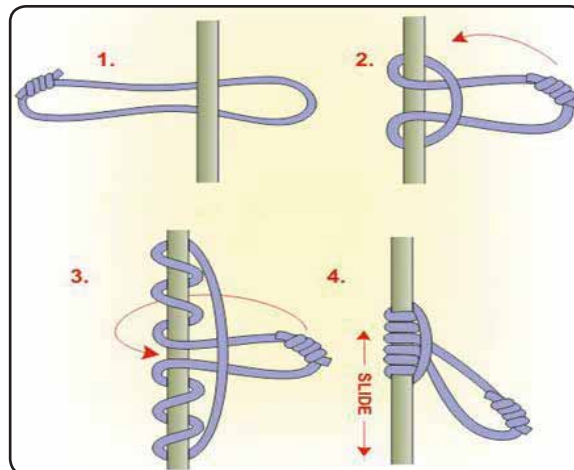
Éliminez tout relâchement du cordage d'assurance dans le système

Remarques : il est préférable d'avoir deux personnes présentes pour cette étape de l'installation; le câble ne doit pas être trop serré. Deux sections de 0,9 m (3 pi) de câble et une sangle d'arrimage à cliquet sont nécessaires pour cette étape de l'installation.

Veillez vous référer aux images ci-dessous; ensuite, poursuivez la procédure sur la page suivante.



Sangle d'amarrage à cliquet



Comment faire un nœud de Prusik

1. Insérez le cordage d'assurance entièrement à travers la cosse en veillant à ce que la cosse soit alignée directement sur le maillon d'ancrage dans le sens du cordage d'assurance. Idéalement, il devrait y avoir au moins entre 0,3 et 0,6 m (1 à 2 pi) de retour de câble pour exécuter les étapes suivantes.

Important : tout au long du processus de serrage du cordage d'assurance, assurez-vous toujours que l'alignement de la cosse est bien droit avec le cordage d'assurance et qu'elle ne se plie pas sur le maillon d'ancrage. Il peut être nécessaire d'utiliser une clé ou un petit pied de biche pour réaligner la cosse.

2. Avec une section de corde, faites un nœud de Prusik sur le brin mort (extrémité libre) du cordage d'assurance, à environ 0,3 à 0,6 m (1 à 2 pi) de la cosse. Avec la deuxième section de la corde, faites un nœud de Prusik sur le cordage d'assurance principal à environ 1,8 m (6 pi) du poteau pour toit en bout.
3. Raccordez la sangle d'amarrage à cliquet entre les deux nœuds de Prusik en accrochant une extrémité de la sangle à cliquet dans chacune des boucles du nœud de Prusik. à l'aide de la sangle d'amarrage à cliquet, serrez le câble à la pression désirée de 180 lb. Ceci peut être vu par un second installateur qui observe l'indicateur de tension sur l'extrémité opposée du cordage d'assurance; lorsque l'indicateur de tension commence à tourner librement, cessez de serrer. Il est important de ne pas trop serrer le câble.

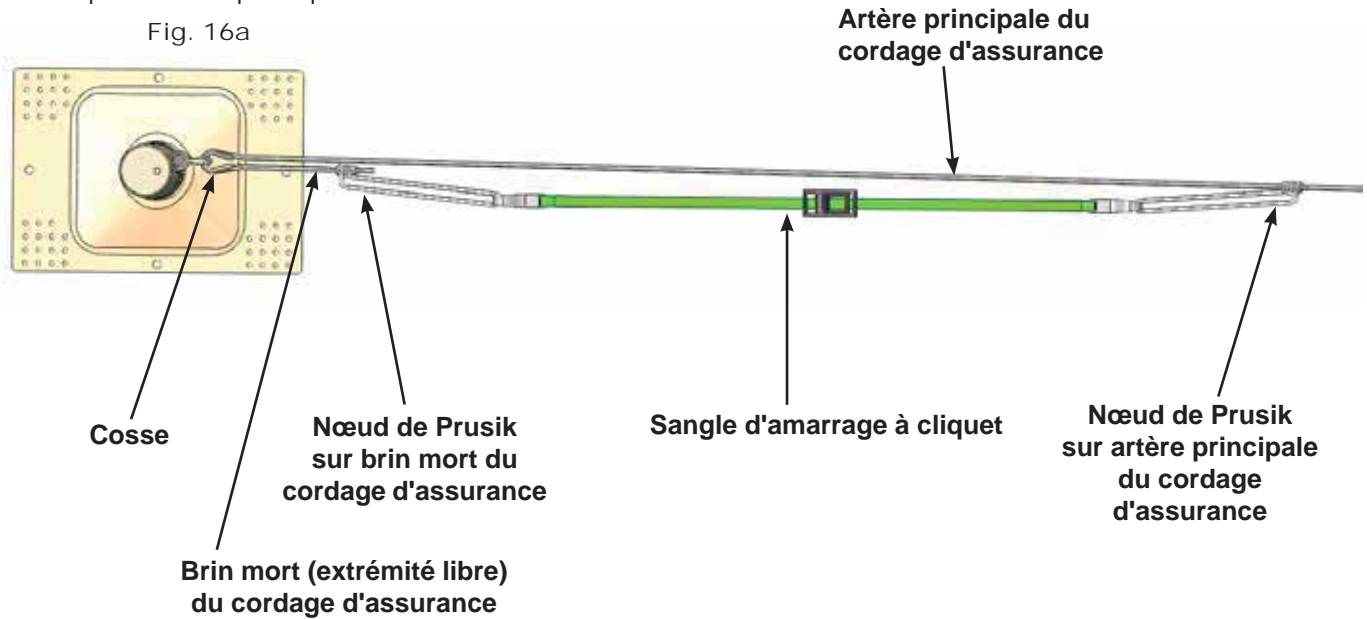


Fig. 16b

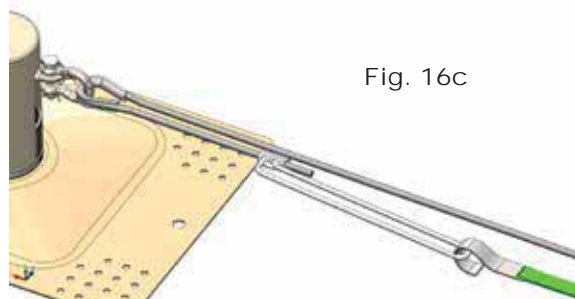


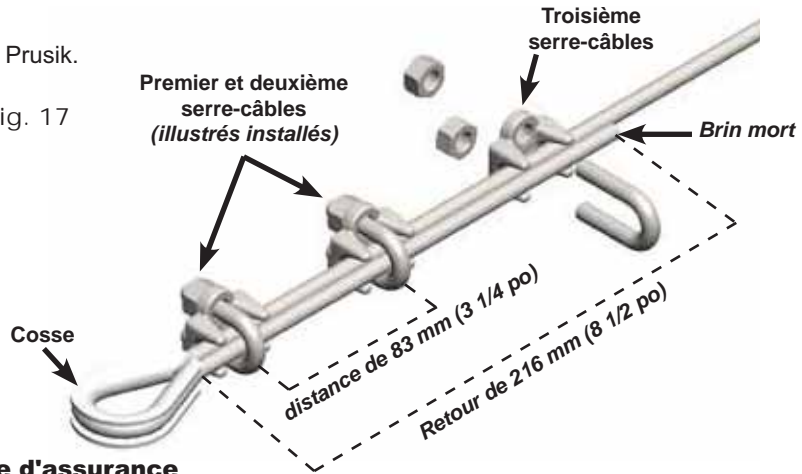
Fig. 16c

Cordage d'assurance sécurisé avec les serre-câbles

Remarque : il doit y avoir au moins 216 mm (8 1/2 po) de retour de câble pour installer correctement les serre-câbles.

1. Avec la sangle à cliquet et les nœuds de Prusik tenant fermement le cordage d'assurance serré, fixez le premier serre-câble aussi près que possible de la cosse, en tenant compte que la pince en U doit être installée autour du câble avec le brin mort (voir fig. 17). Fixez deux serre-câbles supplémentaires en les espaçant de 83 mm (3 1/4 po). Serrez les écrous des serre-câbles à **17 pi/lb** (23 Nm).
2. Une fois les serre-câbles solidement fixés, libérez la sangle à cliquet et les nœuds de Prusik.

Fig. 17



Vérification de la tension du cordage d'assurance

IMPORTANT : il est essentiel que le cordage d'assurance soit correctement tendu avant utilisation. Tout manquement à cette consigne aura une incidence sur les exigences de dégagement d'arrêt de chute et des forces de chute potentielle peuvent être imposées à l'ouvrier et au système.

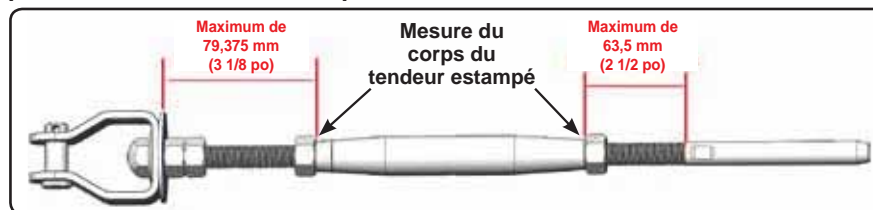
Remarque : tous les ensembles de cordes d'assurance horizontales ShockFusion comportent un tendeur estampé avec un indicateur de tension. Le disque indicateur de tension devrait commencer à tourner librement lorsque le cordage d'assurance est tendu correctement (à environ 180 lb de pression).

Une fois que le système est complètement installé et que la sangle à cliquet et les nœuds ont été supprimés, vérifiez la tension du cordage d'assurance.

- Si le disque indicateur de tension est serré et ne peut pas tourner librement, serrez le tendeur jusqu'à ce que le disque commence à tourner librement. Utilisez une clé à fourche pour empêcher le cordage d'assurance de se tordre lors de la mise en tension.
- Si le disque indicateur de tension tourne déjà librement, faites reculer lentement le tendeur jusqu'à ce que le disque de tension ne puisse pas tourner. Puis serrez à nouveau le tendeur jusqu'à ce que le disque commence à tourner librement. Cela permettra d'éviter de trop serrer ou de ne pas serrer suffisamment le système de cordage d'assurance. Lors du relâchement du tendeur, faites attention de ne pas désengager les filets.

Remarque : les filetages mâles et femelles devraient être complètement engagés des deux côtés du tendeur de tensionnement. S'il n'y a pas engagement total de part et d'autre de filets du tendeur, le système devra être desserré et les étapes ci-dessus devront être répétées.

Fig. 18



IMPORTANT : ne dépassez pas les mesures maximales indiquées, car les composants du tendeur pourraient se désengager.

Une fois que la tension appropriée pour le cordage d'assurance est obtenue, serrez les contre-écrous contre le corps du tendeur (comme illustré à la fig. 18) pour empêcher le tendeur de tourner.

Résolution de problèmes:

Si le tendeur touche le fond et que le disque indicateur de tension ne tourne pas librement, répétez les étapes pour « Éliminez tout relâchement du cordage d'assurance dans le système » aux pages 26 et 27. Les serre-câbles devront être retirés puis la sangle d'amarrage à cliquet et les nœuds de Prusik réinstallés. Gardez le système aussi serré que possible lors de la réinstallation des serre-câbles. Une fois terminé, vérifiez à nouveau la tension du cordage d'assurance en suivant les étapes ci-dessus.

IMPORTANT : les serre-câbles ne peuvent être réinstallés qu'une seule fois. Les serre-câbles de même que le cordage d'assurance doivent être à nouveau inspectés avant la réinstallation. Si vous décelez une anomalie, communiquez avec le service technique de Honeywell pour obtenir de l'aide et/ou le service à la clientèle de Honeywell pour obtenir des pièces de rechange.




Coupeure du câble excédentaire

Une fois que le système est complètement installé et correctement tendu, coupez le câble excédentaire en veillant à ne pas laisser l'outil de coupe venir en contact avec l'artère principale du cordage d'assurance (la partie active du cordage d'assurance).

4.5 Achèvement des fiches d'identification du système

L'installateur de l'ensemble de systèmes de cordes d'assurance horizontales pour toiture ShockFusion DOIT compléter, avec un marqueur permanent, deux fiches du système. À l'aide des attaches fournies, apposez une attache à chacune des extrémités du cordage d'assurance—se rattachant au maillon d'attache du tendeur et au maillon d'ancrage. Se référer aux informations générées par le Guide de sélection ShockFusion (basées sur les commentaires du client) afin de s'assurer que toutes les informations comprises sur la fiche du système sont exactes. Ces informations doivent également être enregistrées dans ce manuel à la page 9. Remplissez l'étiquette en conséquence. Les lettres fournies dans les boîtes sur la fiche ci-dessous correspondent au tableau à la page 9 et au Guide de sélection ShockFusion. Pour le type de dispositif de raccordement (B =), assurez-vous d'inclure toutes les options proposées (1, 2, 3). Le numéro de l'ensemble se trouve sur la nomenclature ou le bon de commande initial. La boîte de l'installateur doit contenir au minimum le nom, l'entreprise et les coordonnées. Les dates des inspections régulières doivent être inscrites sur la fiche du système avec le mois/l'année ainsi que les initiales de la personne qualifiée ou compétente. **Cette fiche du système est essentielle pour la sécurité de tous les utilisateurs des cordes d'assurance horizontales. N'UTILISEZ PAS CE SYSTÈME SI LA FICHE DU SYSTÈME N'EST PAS PRÉSENTE.**

Fig. 19

	Honeywell Safety Products 1345 15th Street • PO Box 271 Franklin, PA 16323 États-Unis Tél. : 800-873-5242 • Téléc. : 800-892-4078		Systèmes de cordes d'assurance horizontales	
	by Honeywell		Numéro de l'ensemble :	
1. Longueur max. du dispositif de raccordement approuvé :	D =	Installateur :		
2. Type de dispositif de raccordement approuvé :	B =	Inspection effectuée par une personne compétente (Mois/Année - Initialisez à l'achèvement) :		
3. Nombre max. d'utilisateurs sur le système :	L =	Répond à toutes les exigences applicables de l'OSHA.		
4. Nombre max. d'utilisateurs par portée :	C =			
5. Longueur de portée max. :	F =	LB1290 RÉV. A		
6. Date d'installation :	/ /			

4.6 Inspection de l'installation

Une fois l'installation terminée, l'installateur de l'ensemble de systèmes de cordes d'assurance horizontales pour toiture ShockFusion doit effectuer une inspection finale de tous les composants du système et du système dans son ensemble.

- Vérifiez si les composants du système ont subi un dommage durant l'installation.
- Veillez à ce que tous les composants ont été installés à l'aide de la quincaillerie fournie par Miller (ou de la quincaillerie approuvée par Honeywell) et que toutes les fixations sont conformes aux spécifications de couple.
- Inspectez l'installation de la base au toit et vérifiez que la structure du toit n'a pas été endommagée lors de l'installation. L'intégrité et la solidité de la structure du toit ne doivent pas être compromises.
- Vérifiez à nouveau qu'il n'y a pas de quincaillerie ou de composants manquants.
- Veillez à ce que l'indicateur estampé n'a pas bougé.
- Vérifiez la tension et l'indicateur de tension du cordage d'assurance.
- Les étiquettes, les marquages requises du système, les fiches du système, de même que les évaluations de la capacité doivent être présents.

Les installations des systèmes de ShockFusion doivent être approuvées par une personne qualifiée.

5.0 Utilisation de système de cordes d'assurance horizontales pour toiture ShockFusion

- Avant chaque utilisation, inspectez soigneusement le système pour toiture en plus de tous les composants du système antichute selon les instructions du fabricant.
- Veillez à ce qu'il y a suffisamment de dégagement de chute au-dessous de la surface de travail afin d'éviter de heurter un niveau inférieur ou un obstacle.
- Évitez de travailler là où le dispositif de raccordement et/ou du cordage d'assurance peut entrer en contact avec des arêtes vives ou des surfaces abrasives.
- Assurez-vous que tous les raccordements au sein du système sont compatibles en ce qui concerne la dimension, la forme et la force.
- N'utilisez que les dispositifs de raccordement approuvés pour fixer le système pour toiture ShockFusion.
- Tous les utilisateurs doivent lire et suivre les instructions et les étiquettes, et doivent également se familiariser avec les paramètres spécifiés par le client pour l'ensemble du système de corde d'assurance horizontale inclus sur la fiche d'identification du système.
- Conformez-vous aux évaluations de la capacité du système.

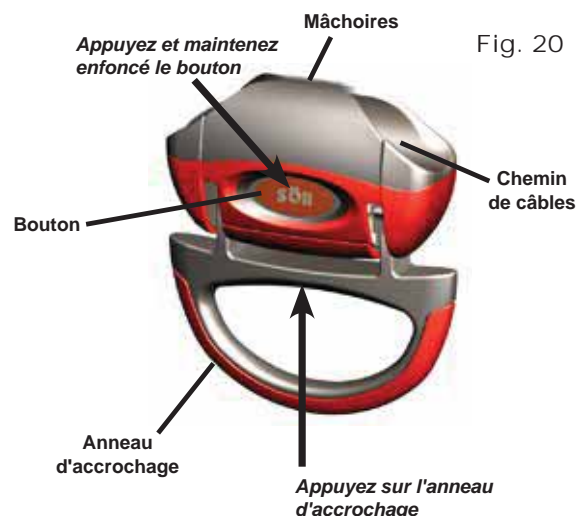
5.1 Raccordement et utilisation des cordes d'assurance horizontales

1. Ajustez correctement le harnais complet. Se référer aux instructions fournies avec le harnais.
2. S'assurer que la structure en cours d'élaboration est correctement prise en charge avant de raccorder le corde d'assurance horizontale. Utilisez l'équipement de protection antichute nécessaire lorsque vous approchez le corde d'assurance horizontale.
3. Si vous utilisez le pilote passe-fil automatique Xenon, installez le pilote au cordage d'assurance en maintenant enfoncé le bouton sur le côté du pilote tout en poussant sur l'anneau d'accrochage pour ouvrir les mâchoires du chemin de câbles. Insérez ensuite le pilote sur le cordage d'assurance et libérez.

AVERTISSEMENT : une fois installées, assurez-vous que les mâchoires du chemin de câbles sont complètement fermées et verrouillées. Lorsque les mâchoires sont fermées et verrouillées, la largeur de l'écart entre les mâchoires se situera entre 1,6 mm (1/16 po) et 4 mm (5/32 po) sans aucune charge appliquée.

4. Raccordez une extrémité de la longe avec absorbeur d'énergie ou le limiteur de chute à l'arrière de l'anneau en D du harnais et l'autre extrémité de l'anneau d'accrochage sur le pilote (ou directement au corde d'assurance horizontale), si le pilote n'est pas utilisé. Se référer aux instructions fournies avec le dispositif de raccordement. Assurez-vous que tous les raccordements sont compatibles et que tous les raccords, tels que les mousquetons sont fermés et verrouillés.
5. Une fois solidement attaché, l'utilisateur peut se déplacer le long du cordage d'assurance. Le mousqueton (ou raccord) de la longe avec absorbeur d'énergie ou le limiteur de chute doit rester raccordé au pilote (ou le corde d'assurance horizontale) et le pilote au corde d'assurance horizontale en tout temps le long du système. Le pilote Xenon s'alignera automatiquement afin de naviguer au-delà des supports intermédiaires. Si le pilote n'est pas utilisé, une longe à deux pattes avec absorbeur d'énergie doit être utilisée pour contourner les supports intermédiaires, tout en restant attaché au cordage d'assurance en permanence pour une protection complète contre les chutes.

REMARQUE : le pilote doit toujours être retiré du corde d'assurance horizontale après utilisation puis nettoyé et entreposé selon la section 7.0 Inspection et entretien.



Dispositifs de raccordement approuvés

Chaque ensemble de systèmes de cordes d'assurance horizontales pour toiture ShockFusion est conçu pour accommoder au moins l'un des dispositifs de raccordement suivants approuvés par Honeywell :

- Longe avec absorbeur d'énergie pour arrêt de chute d'un maximum de 408,23 kg (900 lb)
- Longe avec absorbeur d'énergie pour arrêt de chute d'un maximum de 816,47 kg (1 800 kg)
- Cordage d'assurance auto-rétractable de force d'arrêt de chute de 816,5 kg (1 800 lb) (limiteurs de chute personnels à étranglement Miller Turbo T-BAK)

Le type et la longueur du dispositif de raccordement à utiliser avec votre système ont été spécifiés lorsque l'ensemble de systèmes de cordes d'assurance horizontales a été créé par l'intermédiaire du Guide de sélection de produit Web ShockFusion. Ces informations doivent être indiquées sur la fiche d'identification du système. Veuillez vous assurer d'utiliser le ou les dispositifs de raccordement spécifiés avec votre système.

Les longes d'absorption d'énergie pour câble ne sont jamais recommandées pour une utilisation avec les systèmes pour toiture ShockFusion.

Les arêtes vives ou abrasives doivent être évitées ou rembourrées pour protéger le dispositif de raccordement.

Lorsqu'il est utilisé avec le système pour toiture ShockFusion, le T-BAK Turbo de Miller est destiné à servir de longe rétractable ordinaire. Ne pas « étrangler » sur le corde d'assurance horizontale.

Lisez et suivez toutes les instructions et les avertissements fournis avec le dispositif de raccordement au moment de l'expédition. Pour toute question ou demande spécifique, communiquez avec le Service technique de Honeywell.

6.0 Formation

C'est la responsabilité de l'acheteur de cet équipement, des installateurs et des utilisateurs de s'assurer qu'ils connaissent bien ces instructions et sont formés quant à la bonne utilisation, de même que l'installation, l'exploitation, l'entretien et les limites appropriés pour ce système. Une formation doit être menée périodiquement et sans exposer le stagiaire à un danger de chute.

7.0 Inspection et entretien

7.1 Inspection

Les systèmes ShockFusion de Miller doivent être inspectés fréquemment. En plus d'effectuer une inspection complète après avoir terminé l'installation et le montage, le système doit être visuellement inspecté par l'utilisateur avant chaque utilisation, puis inspecté par une personne qualifiée ou compétente sur une base régulière, au moins chaque année. **Remplacez le matériel si vous décelez l'une ou l'autre des conditions défectueuses expliquées dans ce manuel.**

- Inspectez le système complet et recherchez toute trace de : pliure, fissure, déformation, usure, pièce défectueuse ou endommagée ; fermeture lâche, pièce ou composant manquant ; détérioration ; altération ; corrosion ; chute ; ou toute autre indication de dommages ou de problèmes pouvant affecter l'intégrité et le fonctionnement du produit. En cas de doute, contactez le fabricant.
- Vérifiez toutes les fixations et les valeurs de couple correspondantes afin d'assurer que les poteaux du système sont fixés solidement à la structure du toit (voir 4.3 Installation de base). Inspectez l'état de la toiture pour vous assurer qu'il répond toujours à toutes les exigences d'ancrage.
- Inspectez les poteaux du système pour tout signe de chargement possible. La fixation du poteau en saillie sur les poteaux terminaux ShockFusion, qui représente la langue de l'amortisseur en couronne à l'intérieur du poteau, va baisser lorsqu'elle sera exposée à une charge (voir fig. 21a). Le poteau intermédiaire Fusion se renversera lorsqu'il sera exposé à une charge (voir fig. 21b).
- Inspectez l'estampage du câble pour déceler tout signe de glissement. L'anneau de l'indicateur d'estampage se déplace avec le câble en laissant un espace entre l'anneau de l'indicateur et l'extrémité estampée afin d'indiquer lorsque le cordage d'assurance a été exposé à une tension ou un chargement élevé. S'il y a un écart (voir fig. 22), l'estampage du câble a été compromis et le cordage d'assurance doit être mis hors service.
- Inspectez le câble du cordage d'assurance pour déceler les coupures, les effilochages, les tortillements, les brins cassés ou autres signes d'usure inhabituelle. **[MISE EN GARDE : portez toujours des gants lorsque vous inspectez un câble d'acier!]**
- Vérifiez la tension du cordage d'assurance. L'indicateur de tension doit tourner librement à la bonne tension.
- Inspectez le pilote Xenon pour déceler les dommages physiques, les déformations, les fissures, l'usure et la corrosion. Assurez-vous que le pilote et ses composants fonctionnent correctement. L'anneau d'accrochage devrait se déplacer librement, le bouton doit s'enfoncer puis se relâcher dans sa position initiale, et les mâchoires du chemin de câbles doivent se fermer et se verrouiller. Se référer à la section 5.1 Raccordement et utilisation des cordes d'assurance horizontales.
- Assurez-vous que les étiquettes des produits sont présentes et lisibles, incluant une fiche d'identification du système complétée, laquelle doit être installée sur le cordage d'assurance au moment de l'installation (voir la section « Étiquettes »).
- Inspectez les composants du système antichute personnel selon les instructions du fabricant.

Si le système ou un des composants du système ne passe pas l'inspection ou a été soumis à des forces d'arrêt de chute, le système doit être mis hors service jusqu'à ce que les composants en question puissent être remplacés et que le système puisse à nouveau être inspecté par une personne qualifiée.

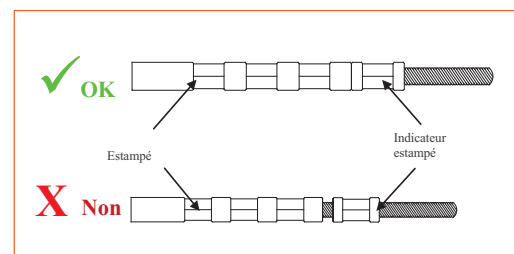
Fig. 21a - Poteau d'extrémité/de coin ShockFusion : exposé au chargement



Fig. 21b - Poteau intermédiaire Fusion : exposé au chargement



Fig. 22 - Anneau de l'indicateur d'estampage



7.2 Nettoyage et entreposage

Un entretien de base de tout équipement de protection contre les chutes Miller prolongera la durée de vie du dispositif ou du système, et contribuera à optimiser la performance de sa fonction de sécurité vitale. Nettoyez régulièrement les composants du système afin d'enlever les saletés, la peinture, les produits corrosifs et les polluants, ainsi que toute autre substance ayant pu s'accumuler. Lorsque le pilote Xenon n'est pas utilisé, rangez-le dans un endroit propre, sec et bien aéré, sans exposition aux vapeurs d'éléments corrosifs et effets environnementaux.

7.3 Réparation

L'entretien des équipements de protection antichute Miller doit être effectué par Honeywell Safety Products ou par des personnes ou des entités autorisées par écrit par Honeywell. Un journal contenant toutes les dates d'inspection et d'entretien de ce système doit être tenu. Seules des pièces de remplacement Miller originales peuvent être utilisées avec ce système. Les composants irréparables qui ne passent pas l'inspection doivent être éliminés, et toute utilisation ultérieure éventuelle doit être empêchée. Pour toutes questions, veuillez communiquer avec le service technique d'Honeywell au 800 873-5242 (appuyez sur 4).

Índice

1.0	Objetivo.....	63
2.0	Requisitos generales, advertencias y limitaciones.....	63-64
2.1	Requisitos generales para la protección contra caídas	
2.2	Advertencias y limitaciones	
3.0	Componentes del kit del sistema de línea de vida horizontal para techos ShockFusion y diseño del sistema.....	65-69
3.1	Componentes del kit	
3.2	Desglose del número del kit	
3.3	Diseño del sistema rápido	
4.0	Instalación del sistema de línea de vida horizontal para techos ShockFusion.....	70-88
4.1	Requisitos de fuerza de tensión y de fricción	
4.2	Ensamblado del poste a la base	
4.3	Instalación de la base	
4.3.1	Instalación de la base en techos con juntas de chapa	
4.3.2	Instalación de la base en cubiertas metálicas	
4.3.3	Instalación de la base en techos con membrana y ensamblados	
4.3.4	Instalación de la base en techos de cubierta de madera	
4.3.5	Instalación de la base en techos de hormigón	
4.4	Ensamblado e instalación de la línea de vida horizontal	
4.4.1	Ensamblado de los componentes de la línea de vida horizontal e instalación en el sistema de poste del techo	
4.5	Instrucciones para completar la etiqueta del sistema	
4.6	Inspección de la instalación	
5.0	Uso del sistema de línea de vida horizontal para techos ShockFusion.....	89
5.1	Conexión y uso de la línea de vida horizontal	
6.0	Capacitación.....	90
7.0	Inspección y mantenimiento.....	90-91
7.1	Inspección	
7.2	Limpieza y almacenamiento	
7.3	Servicio de mantenimiento	
	Etiquetas.....	92
	Registro de inspección y mantenimiento.....	93

Gracias

Gracias por comprar un equipo de protección contra caídas Miller. Los productos de la marca Miller son fabricados en nuestra planta certificada por la norma ISO 9001 y cumplen con las normas de calidad más altas. El equipo de protección contra caídas Miller ofrecerá años de servicio con el cuidado adecuado.

ADVERTENCIA

Todas las personas que utilicen este equipo deben leer, entender y seguir todas las instrucciones. No hacerlo puede provocar daños severos o la muerte. No utilice este equipo a menos que cuente con la capacitación adecuada.

¿Tiene alguna pregunta?

LLAME AL
1.800.873.5242

Es crucial que la persona o el usuario autorizado de este equipo lea y comprenda estas instrucciones. Asimismo, la ley federal establece que los empleadores deben garantizar que todos los usuarios reciban capacitación sobre la instalación, el uso, la inspección y el mantenimiento adecuados del equipo de protección contra caídas. La capacitación sobre la protección contra caídas debería ser una parte integrante de un programa de seguridad integral.

El uso adecuado de los sistemas de detención de caídas puede salvar vidas y disminuir las posibilidades de daños severos provocados por una caída. El usuario debe saber que las fuerzas que se experimentan durante la detención de la caída o la suspensión prolongada pueden causar daños físicos. En caso de dudas respecto a la capacidad de un usuario para utilizar este producto, consulte a un médico. Las mujeres embarazadas y los niños pequeños no deben usar este producto.

1.0 Objetivo

El sistema de línea de vida horizontal para techos ShockFusion es un sistema de línea de vida horizontal avanzado que se monta en superficie para trabajos sobre techos, que ahora está disponible en kits de enhebrado continuo especificados por el cliente. Los kits están compuestos por los postes de extremo para techo ShockFusion con absorción de energía, los postes intermedios Fusion con "volcamiento", accesorios de base versátiles que se adaptan a diversas estructuras de techo y una selección de componentes de alta calidad para líneas de vida. El sistema de techo ShockFusion minimiza la deflexión en la línea de vida para controlar de manera efectiva las fuerzas del sistema y mantener una conexión segura en una diversidad de estructuras de techos. Estos kits se pueden instalar en techos de juntas de chapa, de láminas metálicas, de madera, de hormigón, de membrana y ensamblados.

Los componentes del sistema de línea de vida horizontal para techos ShockFusion cumplen con los requisitos de diseño establecidos en las normas OSHA 1926.502, OSHA 1910.66, ANSI A10.32-04, ANSI Z359.6 y CSAZ259.16-2004. De cualquier modo, se debe tener en cuenta que un ingeniero calificado debe determinar el cumplimiento del sistema en general con estas normas una vez instalado. Se requiere documentación adicional específica para la instalación. Consulte las normas para obtener información sobre los requisitos aplicables.

2.0 Requisitos generales, advertencias y limitaciones

2.1 Requisitos generales para la protección contra caídas

Los usuarios y/o personas autorizadas deben recibir todas las advertencias e instrucciones. Es preciso leer y comprender las advertencias y las instrucciones antes de utilizar el equipo.

Todos los instaladores y las personas y/o usuarios autorizados deben tomar como referencia las disposiciones que regulan la seguridad laboral, así como las normas aplicables.

Es necesario tomar las precauciones adecuadas para eliminar del área de trabajo cualquier obstáculo, residuo, material o amenaza reconocible que pueda provocar daños o interferir con el funcionamiento del sistema.

Deben inspeccionarse todos los equipos antes de su uso según las instrucciones del fabricante.

Una persona calificada debe inspeccionar todos los equipos con regularidad.

Para minimizar la probabilidad de un desenganche accidental, una persona competente debe garantizar la compatibilidad del sistema.

El equipo no debe sufrir alteraciones de ningún tipo. Únicamente el fabricante del equipo, o las personas o entidades autorizadas por escrito por el fabricante, pueden realizar las reparaciones.

Cualquier producto que presente deformación, desgaste inusual o deterioro debe ser desechado de inmediato.

Cualquier equipo que sufra una caída debe ser retirado del servicio.

El usuario debe contar con un plan de rescate y los medios al alcance para implementarlo cuando utiliza el equipo.

El equipo de protección contra caídas debe ser utilizado únicamente con el fin para el cual fue diseñado. El equipo de protección contra caídas no se debe utilizar nunca para remolcar o elevar objetos.

No se deben retirar las etiquetas del producto, ya que contienen advertencias e información importantes para el usuario y/o la persona autorizada.

2.2 Advertencias y limitaciones

Guía de selección de ShockFusion (<https://www.millerfallprotection.com/shockfusionkits>)

Todos los kits del sistema de línea de vida horizontal para techos ShockFusion están diseñados y generados con la información que proporcionan los clientes en la Guía de Selección de ShockFusion basada en Internet. El sitio web utiliza dicha información para crear la lista de materiales del kit y proporciona la información de instalación necesaria, como la altura de instalación del sistema (en base al espacio libre para caída), la distancia del borde a la cual se debe instalar el sistema, la cantidad de postes intermedios, la distancia necesaria entre los postes de techo y la longitud máxima de extensión. Asimismo, calcula los índices de capacidad de la línea de vida, especifica el tipo y la longitud del dispositivo de conexión aprobado y proporciona el espacio libre para caída requerido para el sistema (incluida la distancia del riesgo de caída más cercano). **Es obligatorio que los instaladores y usuarios de este sistema conozcan y tengan acceso a esta información, que fue generada específicamente para este kit de sistema de línea de vida horizontal.** Para obtener más información, consulte la Guía de Selección de ShockFusion y las secciones 3.2 y 3.3 de este manual. No utilice este sistema de línea de vida horizontal si la etiqueta del sistema (LB1290) no está completada y adherida al sistema (consulte la sección 4.5 de este manual). Si alguna parte de la información generada originalmente por la Guía de Selección de ShockFusion es inadecuada, vaya al sitio web y vuelva a introducir **la misma información que se utilizó para crear el kit** para volver a generar la información y los cálculos necesarios.

Compatibilidad del sistema

El sistema de línea de vida horizontal para techos ShockFusion está diseñado para ser utilizado con componentes aprobados por Honeywell. El recambio o reemplazo por combinaciones de componentes, subsistemas, o ambos elementos, no aprobados puede afectar o interferir con el funcionamiento seguro de cada uno de ellos y poner en peligro la compatibilidad dentro del sistema. Esta incompatibilidad puede afectar la fiabilidad y la seguridad del sistema en su totalidad.

Honeywell exige el uso de un arnés de cuerpo entero aprobado por Honeywell y eslingas con absorción de impacto aprobadas por Honeywell o el limitador personal de caídas retráctil Turbo T-BAK™ con este sistema. Es necesario leer y entender todas las instrucciones y advertencias proporcionadas con los dispositivos para el cuerpo y con los dispositivos de conexión antes de usar el equipo.

Limitaciones de uso

Los postes de techo ShockFusion están diseñados para ser utilizados como los anclajes de extremo del kit del sistema de línea de vida horizontal para techos ShockFusion. No deben utilizarse nunca como único punto de anclaje para un sistema personal de detención de caídas.

El poste de techo Fusion está diseñado para ser utilizado como un poste de anclaje intermedio dentro del kit de línea de vida horizontal ShockFusion, pero también puede ser utilizado como único punto de anclaje en un sistema personal de detención de caídas cuando se conecta un anclaje con argolla en forma de D. Cuando se utiliza el poste de anclaje para techo Fusion como único punto de anclaje, se deben leer, entender y seguir las instrucciones. No debe utilizarse el poste para techo Fusion como anclaje de extremo en un sistema de línea de vida horizontal, a menos que esté aprobado por Honeywell Safety Products.

Los postes ShockFusion y Fusion están diseñados para su instalación temporal o permanente y deben instalarse siempre en posición vertical.

Capacidad

La capacidad máxima del sistema de línea de vida varía según la configuración del propio sistema. Asimismo, la capacidad máxima por extensión se verá afectada por la longitud de extensión y el dispositivo de conexión que se utilice con el sistema. Consulte los índices de capacidad generados por la Guía de Selección de ShockFusion.

Dirección permitida de la carga

Está permitido el trabajo dentro o fuera del sistema de línea de vida.

Caída libre

Los sistemas personales de detención de caídas deben limitar la caída libre a la mínima distancia posible (6 pies [1,8 m] como máximo).

Fuerzas de detención de la caída

El sistema para techos ShockFusion cuenta con un diseño único que absorbe la energía, minimizando así las fuerzas de detención de la caída que se imponen en el trabajador y en la estructura.

Espacio libre para caídas

Asegúrese de que el paso de una posible caída esté libre para evitar el golpe a un nivel más bajo o con otro objeto. Se debe minimizar la posibilidad de una caída con balanceo. Consulte los cálculos de espacio libre para caída y la información relacionada generados por la Guía de Selección de ShockFusion.

Requisitos de anclaje

La estructura de techo donde se instala el sistema para techo ShockFusion debe ser capaz de soportar 5000 lb (22,2 kN) de carga estática en la dirección de la carga o cumplir con los requisitos de la OSHA para un factor de seguridad de dos.

Los requisitos de anclaje según el ANSI son los siguientes:

- Para todos los sistemas de detención de caídas, los anclajes deben soportar una carga estática de 5000 lb (22,2 kN) para los anclajes sin certificación o dos veces la fuerza máxima de detención para los anclajes certificados.
- Para los sistemas de limitación de recorrido, los anclajes deben soportar una carga estática de 1000 lb (4,5 kN) para los anclajes sin certificación o dos veces la fuerza prevista para los anclajes certificados.
- Cuando se conecta más de un sistema personal de detención de caídas (*personal fall arrest system*, PFAS) a un anclaje, las fuerzas de anclaje anteriores deben multiplicarse por la cantidad de PFAS conectados al anclaje.

Asimismo, la estructura del techo debe poder soportar las fuerzas de tensión y de fricción que puedan imponerse al sistema (consulte la sección 4.1 Requisitos de fuerza de tensión y de fricción).

El Sistema para techos ShockFusion está diseñado para estructuras de techo planas o con una leve inclinación con una inclinación máxima de la línea de vida de 15 grados (pendiente 3:12). Si la inclinación del techo es mayor, los aleros pueden protegerse con una línea de vida continua siempre que se mantenga un punto de apoyo adecuado; pero debe utilizarse otra forma de protección para los gabletes. Las opciones incluyen barreras de seguridad, anclaje único/eslinga de doble amarre y líneas de vida de cuerda/sujetadores de cuerda. Estas pautas dan por sentado que los trabajadores pueden recorrer con seguridad el techo sin la necesidad de ejercer fuerza contra el dispositivo de conexión para mantener el punto de apoyo o el equilibrio. En general, las normas aplicables y/o los requisitos del lugar requerirán el uso de sistemas como rodapiés para trabajar de forma adecuada en superficies de techo con pendiente pronunciada.

El sistema para techos ShockFusion, según el modelo de la base, es compatible con la mayoría de las estructuras industriales de techo, tales como los de juntas de chapa, de membrana, los techos ensablados, de cubiertas metálicas, trapezoidales, de hormigón y de madera. Para obtener más información sobre los requisitos de cada tipo de techo específico, consulte la sección 4.3 Instalación de la base. (Póngase en contacto con el Servicio Técnico de Honeywell si tiene más preguntas sobre las estructuras de techo aprobadas y las aplicaciones).

Riesgos ambientales

Es posible que el uso de este equipo en zonas donde existen riesgos ambientales requiera tomar precauciones adicionales para limitar la posibilidad de lesiones al usuario o daño al equipo. Entre los riesgos se pueden encontrar, a modo de ejemplo, temperaturas extremas, productos químicos cáusticos, ambientes corrosivos, líneas eléctricas de alto voltaje, gases explosivos o tóxicos, maquinaria móvil y bordes filosos. El equipo no debe exponerse a soportar peligros para los cuales no está diseñado. En caso de duda, consulte al fabricante.

3.0 Componentes del kit del sistema de línea de vida horizontal para techos ShockFusion y diseño del sistema

3.1 Componentes del kit

Poste de extremo para techo ShockFusion (X11009)



Tensor de horquilla con indicador de tensión (25114) para conectar la línea de vida al poste de extremo ShockFusion



Línea de vida de cable



Soporte intermedio universal (X11014) para conectar la línea de vida a los postes intermedios de techo Fusion



Poste intermedio de techo Fusion (X11008)



Guardacabos y sujetacables (XP00001 y XP00002) para el extremo de la línea de vida



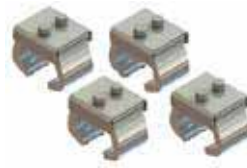
Grillete de anclaje (SGAS-SS) para conectar la línea de vida al poste de extremo ShockFusion



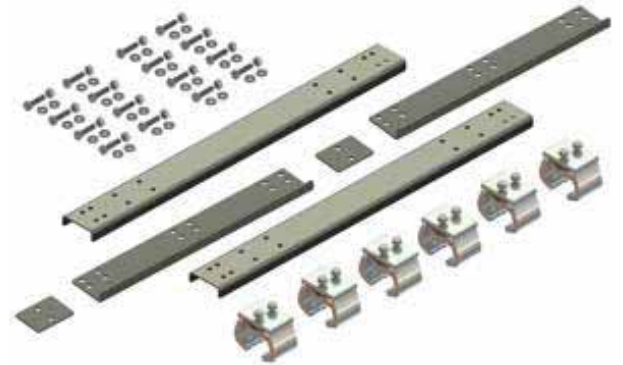
Carrete con paso automático Xenon (1005709)



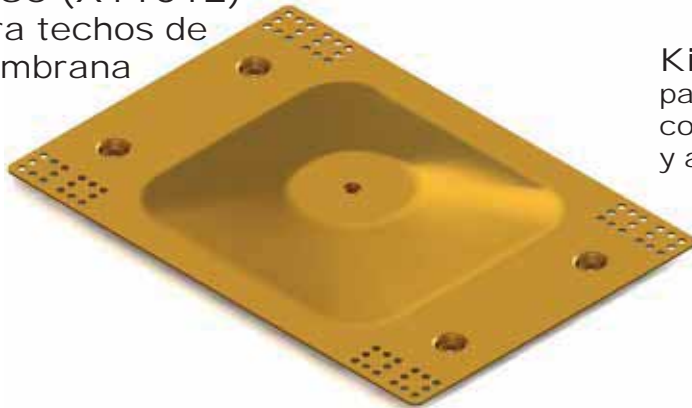
Base grande (X11011)
para techos de juntas de chapa



Kit para juntas de chapa (X11018)



Base (X11012)
para techos de membrana



Kit para juntas de chapa (X11020)
para un espaciado de hasta 24" (610 mm)
con barras de extensión, refuerzos, cuñas
y abrazaderas

Kit de tornillos de fiador (X11005)
para techados de membrana de 5,5"
(140 mm) a 10,5" (267 mm) de espesor



Kit de tornillos de fiador (X11004)

para techos de membrana
de hasta 5,5" (140 mm) de espesor



Base multipropósito (X11013)
para techos de cubierta de metal,
trapezoidales, de madera o de
hormigón



Kit de remaches (X11003)
con arandelas de sellado y cinta adhesiva



Kit de tornillos de cabeza
cuadrada (X11006)

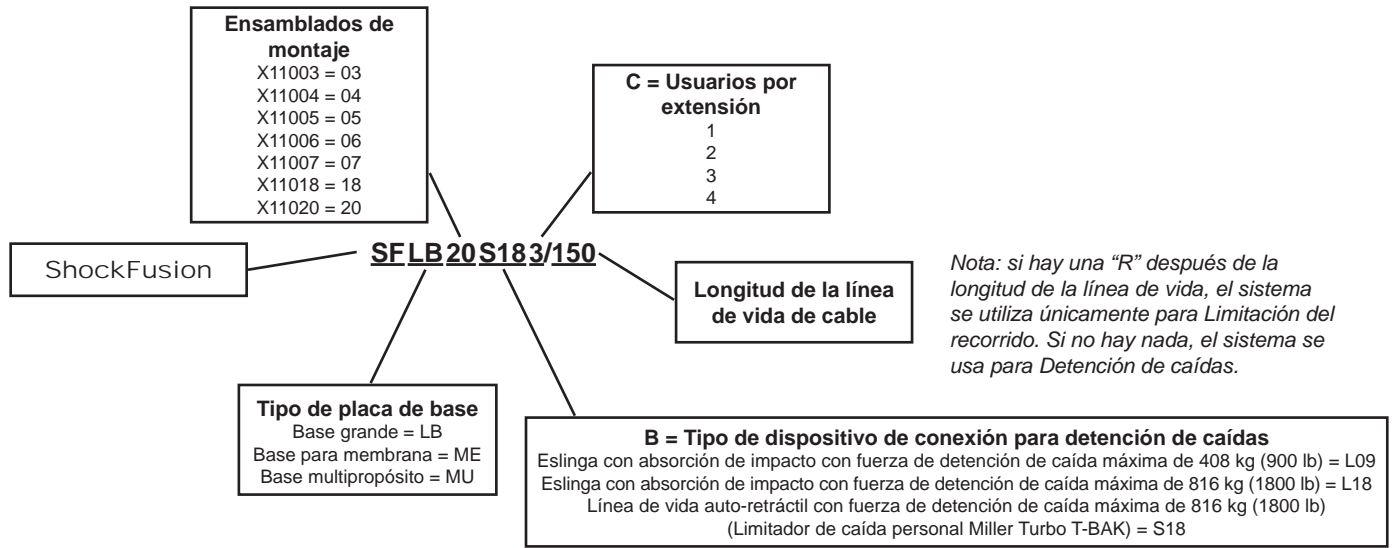
Kit de anclaje de pernos
de expansión para
hormigón (X11007)



Postes de techo		Junto con los ensamblados de conexión de líneas de vida	Diseñados para proveer
X11008 Poste intermedio de techo Fusion	X11014 Soporte intermedio universal	Conexión de línea de vida horizontal intermedia de enhebrado continuo y curvas de 5 grados o menos	
X11009 Poste de extremo para techo ShockFusion	25114 Tensor de horquilla con indicador de tensión	Conexión de línea de vida horizontal de extremo con tensor para tensionar la línea de vida e indicador de tensión.	
	XP00001 Guardacabos	La terminación final del sistema/conexión de la línea de vida horizontal incluye guardacabos de acero inoxidable, sujetacables de 5/16" (8 mm) y grillete de acero inoxidable de 7/16" (11 mm) con perno, tuerca y pasador de chaveta	
	XP00002 Sujetacables		
	SGAS-SS Grillete de anclaje		
Bases		Junto con los ensamblados de montaje de techo	Diseñados para proveer
X11011 Base grande para techos de juntas de chapa	X11018 Kit ShockFusion y Fusion para juntas de chapa	Conexión del poste de extremo ShockFusion o del poste intermedio Fusion a juntas de chapa con espacio de 11,75" (298 mm) a 21,25" (540 mm).	
	X11020 Kit ShockFusion y Fusion para juntas de chapa con un espacio de hasta 24" (610 mm).	Conexión del poste de extremo ShockFusion o del poste intermedio Fusion a juntas de chapa con espacio de 21,25" (540 mm) a 24" (610 mm).	
X11012 Base para techos de membrana	X11004 Kit de tornillo de fiador para techos de membrana de hasta 5,5" (140 mm) de espesor	Conexión del poste intermedio Fusion o el poste de extremo ShockFusion a través de la membrana, el aislamiento y la cubierta metálica, de madera o de hormigón con un espesor total de hasta 5,5" (140 mm).	
	X11005 Kit de tornillo de fiador para techados de membrana de 5,5" (140 mm) a 10,5" (267 mm) de espesor	Conexión del poste intermedio Fusion o el poste de extremo ShockFusion a través de la membrana, el aislamiento y la cubierta metálica, de madera o de hormigón con un espesor total de 5,5" (140 mm) a 10,5" (267 mm).	
X11013 Base multipropósito para techos de cubierta de metal, trapezoidales, de madera o de hormigón	X11003 Kit de remaches con arandelas de sellado y cinta adhesiva	Conexión del poste intermedio Fusion o el poste de extremo ShockFusion a cubierta metálica con un espesor mínimo de calibre 24 (0,024" [0,61 mm]) o espacio trapezoidal de 8" (203 mm) a 20" (508 mm) en incrementos de 1" (25,5 mm).	
	X11006 Kit de tornillos de cabeza cuadrada	Conexión del poste intermedio Fusion o el poste de extremo ShockFusion a madera contrachapada con un espesor mínimo de 5/8" (15,9 mm) CDX.	
	X11007 Kit de anclaje de tornillo de expansión para hormigón	Conexión del poste intermedio Fusion o el poste de extremo ShockFusion al forjado de hormigón con un espesor mínimo de 6,5" (165 mm) y una fuerza compresora mínima del hormigón de 3000 PSI (20,7 MPa).	
Línea de vida		Junto con el carrete	Diseñada para proveer
8 mm 7x7ss 8 mm, 7x7 cable de acero inoxidable	1005709 Carrete con paso automático Xenon	Línea de vida horizontal del sistema con cable de 5/16" (8 mm) de diámetro y carrete de línea de vida compatible para paso automático de soportes intermedios	

Para obtener más información respecto a las dimensiones, materiales de construcción, etc., de los componentes, puede descargar las fichas de especificaciones de los productos de www.millerfallprotection.com.

3.2 Desglose del número del kit



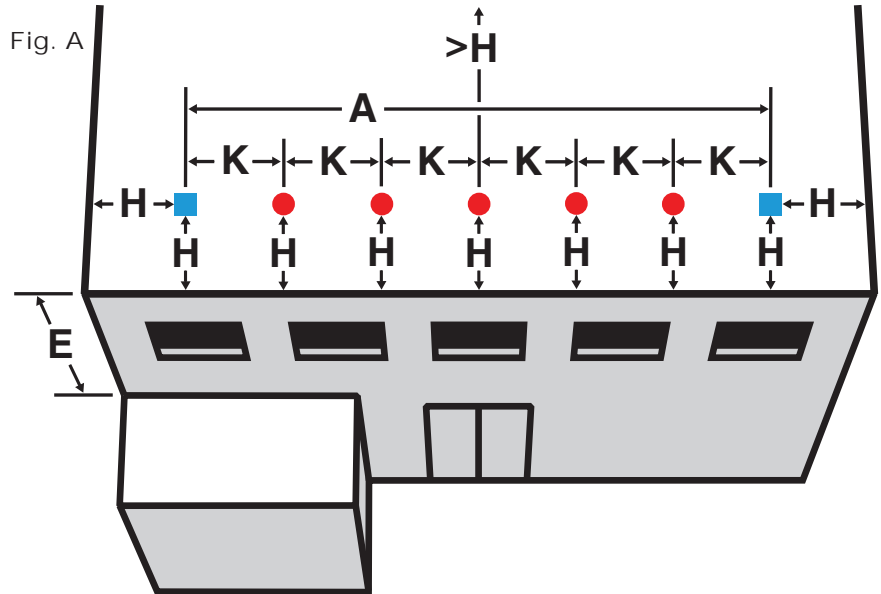
3.3 Diseño del sistema rápido

Esta sección del manual de diseño del sistema rápido ayudará al instalador a evaluar de forma rápida que todos los componentes del kit del sistema de línea de vida horizontal especificado para el cliente estén justificados y lo asistirá en la configuración preliminar de los componentes en la ubicación y el orden correcto del ensamblado y de la instalación. Una vez terminado el diseño del sistema rápido, debe continuar con la sección 4.0 Instalación.

- 1) Ordene todos los componentes y verifique todas las piezas y cantidades con la lista de materiales del kit (consulte la sección 3.1 para ver imágenes de los componentes, números de pieza y descripciones). Complete la siguiente tabla de recuento de componentes del kit.

Recuento de componentes del kit		
Número de pieza	Componente	Cantidad incluida en el kit
X11009	Postes de extremo para techo ShockFusion (2) J = ■	
X11008	Postes intermedios para techo Fusion (varía según el kit) I = ●	
X11014	Soportes intermedios universales (uno para cada poste de techo Fusion)	
	Línea de vida de cable con tensor de horquilla con indicador de tensión (1)	
XP00001	Guardacabos (1)	
XP00002	Sujetacables (3)	
SGAS-SS	Grillete de anclaje (1)	
	Bases (una para cada poste de techo ShockFusion o Fusion - varía según el kit)	
	Ensamblados de montaje de techo (un juego para cada base - varía según el kit)	
1005709	Carrete con paso automático Xenon (si corresponde - no es necesario para la instalación del sistema)	

2) La Figura A ilustra un diseño genérico para referencia visual. La cantidad de postes intermedios dependerá de la longitud del sistema y de la información especificada por el cliente para cada kit. Este diagrama se proporciona como referencia para la ubicación de los componentes.



3) Toda la información proporcionada por el cliente que se utilizó para crear el kit del sistema de línea de vida horizontal, también se debe utilizar para completar esta sección del diseño del sistema rápido. La Guía de Selección de ShockFusion basada en Internet genera todos los cálculos necesarios. Solo debe completar la tabla siguiente con las especificaciones originales del sitio web generadas para su pedido. El instalador debe llevar consigo estas instrucciones al sitio de instalación.

<https://www.millerfallprotection.com/shockfusionkits>

↙ **ESTA SECCIÓN DEBE COMPLETARSE CON INFORMACIÓN DEL SITIO WEB O DE LA COPIA IMPRESA DEL SITIO WEB** ↘

Información específica aportada por el cliente		
		Número de kit: _____
A =	cm	Información de la longitud >> La longitud total de todo el sistema debe ser menor a (ancho máximo del edificio – 2*H)
B =		Tipo de dispositivo de conexión para detención de caídas 1. L09 = Eslinga con absorción de impacto con fuerza de detención de caída máxima de 408 kg (900 lb) 2. L18 = Eslinga con absorción de impacto de la fuerza de detención de caída máxima de 816 kg (1800 lb) 3. S18 = Línea de vida retráctil con fuerza de detención de caída máxima de 816 kg (1800 lb) (Miller Turbo T-BAK)
C =		Información sobre la cantidad de usuarios por extensión (1 – 4) >> La extensión es la distancia entre dos postes intermedios consecutivos o entre un poste intermedio y el poste de extremo adyacente. (● a ●) o (● a ■)
D =	cm	Longitud máxima del dispositivo de conexión >> La longitud máxima del dispositivo de conexión que conecta el anillo en D del arnés a la línea de vida horizontal.
E =	cm	Riesgo de caída más cercano por debajo del nivel del área trabajo (el nivel siguiente o el obstáculo más cercano por debajo del borde del área de trabajo que pueda estar en el posible trayecto de caída)
F =	cm	Longitud máxima de extensión
G =	cm	Altura/Distancia (en cm) necesaria del espacio libre para caída
H =	cm	Distancia mínima (en cm) a la cual la línea de vida horizontal debe estar instalada respecto a los bordes
I = ●		Cantidad de postes intermedios incluidos en este kit >> Postes intermedios de techo
J = ■	2	Cantidad de postes de extremo >> Postes de techo ShockFusion
K =	cm	Distancia entre los postes
L =		Cantidad máxima de usuarios por sistema (kit completo)

4.0 Instalación del sistema de línea de vida horizontal para techos ShockFusion

- Antes de la instalación, inspeccione con cuidado todos los componentes del sistema según las instrucciones del fabricante (consulte 7.1 Inspección).
- Es posible que algunos componentes del sistema estén pre-ensamblados. De cualquier modo, debe seguir las instrucciones de instalación para garantizar que todos los componentes estén incluidos y correctamente ensamblados. Es preciso comprobar que todos los tornillos y conectores estén correctamente alineados e instalados y ajustados según las especificaciones.
- Para la correcta instalación deben utilizarse las herramientas que se proporcionan con el producto al momento de la entrega. No utilice otras herramientas/piezas a menos que estén aprobadas por Honeywell Safety Products. Deben seguirse todas las instrucciones de instalación, incluidas las instrucciones de instalación que se proporcionen con las herramientas. Si encuentra discrepancias, póngase en contacto con el Servicio Técnico de Honeywell.
- Un ingeniero o una persona calificada debe garantizar que la estructura del techo en la cual se instalará el sistema cumpla con todos los requisitos de fuerza de tensión y de fricción según lo establece la sección 4.1.
- Póngase en contacto con el Servicio Técnico de Honeywell al 800.873.5242 (presión 4) si tiene preguntas sobre los requisitos y/o procedimientos de instalación.

Herramientas necesarias para la instalación

Techos de juntas de chapa:	Llave inglesa o de carraca de ½" o 13 mm
Membrana:	Punta de taladro de ¼" (hasta 10,5" o 0,27 m de largo), punta de taladro de 1.25", punta de taladro de 1", y un imán pequeño para la llave de carraca de 17 mm
Lámina de metal:	1 punta de taladro de 0,257" (6,53 mm) a 0,261" (6,63 mm), remachadora
Trapezoidal:	1 punta de taladro de 0,257" (6,53 mm) a 0,261" (6,63 mm), remachadora
Madera:	Punta de taladro de ¼", llave para tornillos de cabeza cuadrada
Hormigón:	Punta de taladro de ½" (4,75"), llave de carraca de ¾"

**Llave inglesa o de carraca de ¾" o 19 mm – para ajustar la parte superior de los soportes intermedios
11/16" o 17 m – para ajustar los soportes intermedios**

Guantes – para manipular el cable

Pinzas – para doblar los pasadores de chaveta

Llave de carraca de ½" o 13 mm para sujetacables para mantener la tensión de los cables

Llave inglesa y de carraca de ¾" o 19 mm para ajustar el grillete de anclaje

Ate la correa de sujeción – para tensionar la línea de vida horizontal

(2) trozos de cuerda de 3 pies o 0,9 m que pueda soportar 181,4 kg (400 lb) de fuerza de tensión – se utilizan en serie con la correa de sujeción

Palanca pequeña – para mantener el guardacabos derecho al ajustar

Atornillador Phillips más pequeño que 0,28" o 7 mm – para ajustar el tensor de horquilla

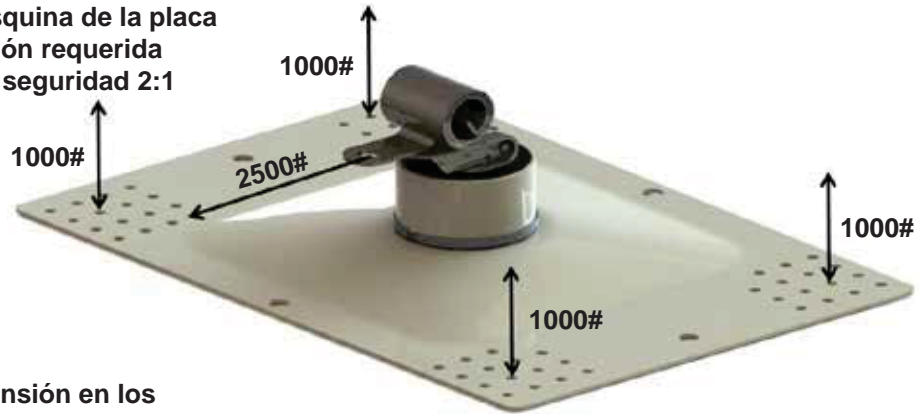
Llave inglesa de 11/16" o 17 mm – después de ajustar el tensor, para ajustar las tuercas de seguridad dentro del cuerpo del tensor de horquilla

4.1 Requisitos de fuerza de tensión y de fricción

Un ingeniero o una persona calificada debe garantizar que la estructura del techo donde se instalará el sistema ShockFusion soportará las fuerzas de tensión y de fricción que se puedan imponer en los lugares donde se fijan los postes de anclaje de extremo e intermedios. Los requisitos de fuerzas de tensión y de fricción se basan en un factor de seguridad 2:1.

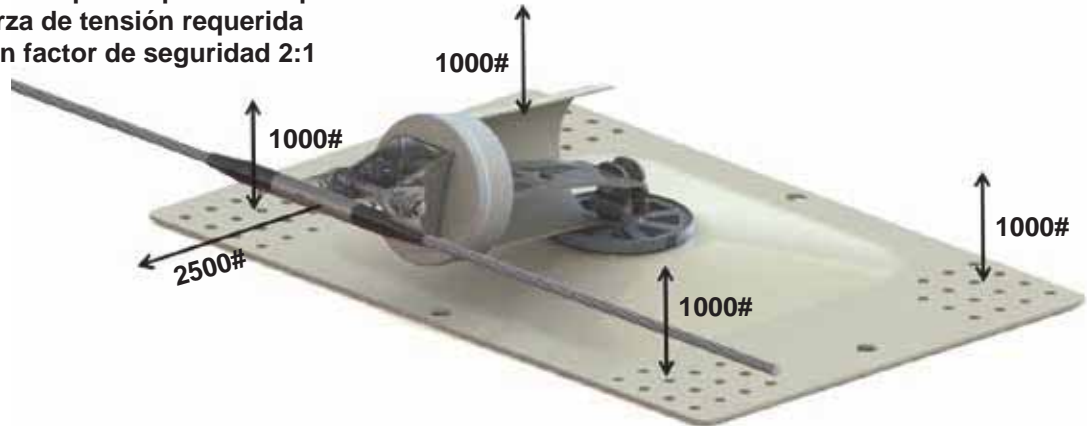
Distribución de la fuerza de tensión en los postes de extremo

- La fuerza de tensión máxima en los postes de extremo es 500# por esquina de la placa de base; la fuerza de tensión requerida es 1000# con un factor de seguridad 2:1 incorporado



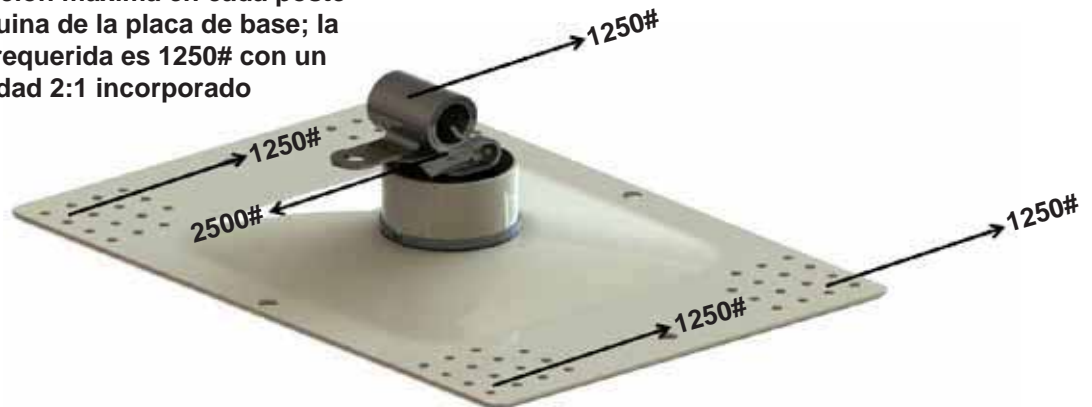
Distribución de la fuerza de tensión en los postes intermedios

- La fuerza de tensión máxima en los postes intermedios es 500# por esquina de la placa de base; la fuerza de tensión requerida es 1000# con un factor de seguridad 2:1 incorporado



Distribución de la fuerza de fricción en todos los postes

- La fuerza de fricción máxima en cada poste es 625# por esquina de la placa de base; la fuerza de corte requerida es 1250# con un factor de seguridad 2:1 incorporado



4.2 Ensamblado del poste a la base

Ensamblado del poste a la base

1. Coloque la tapa en la base alineando los orificios centrales tal como se muestra en la Fig. 1a.
2. Inserte el tornillo que sobresale de la parte inferior del poste a través de la tapa y de la base.
3. Ajústelo completamente contra la tapa y la base.

Fig. 1a

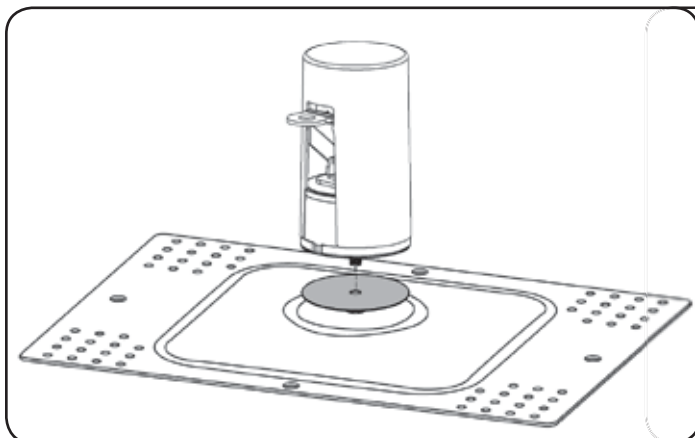
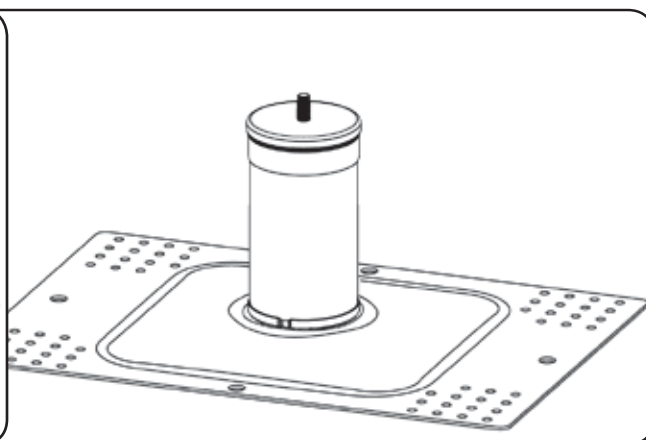
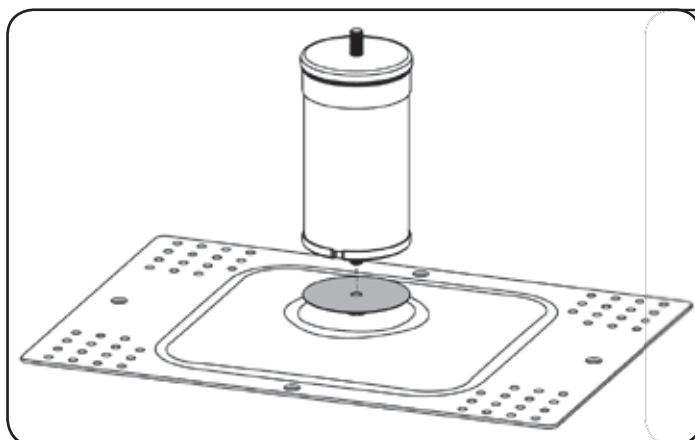
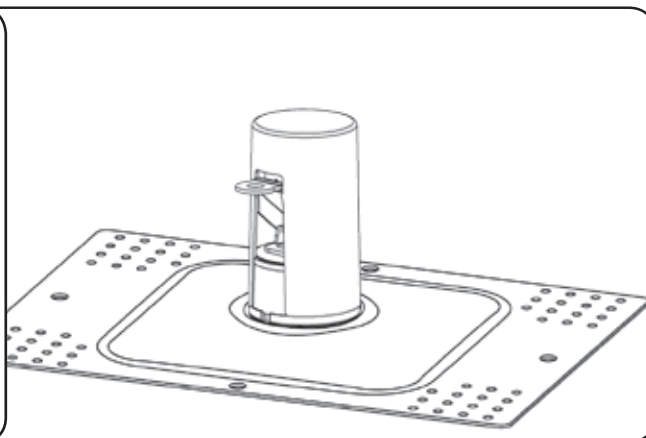


Fig. 1b -
Ensamblado completo



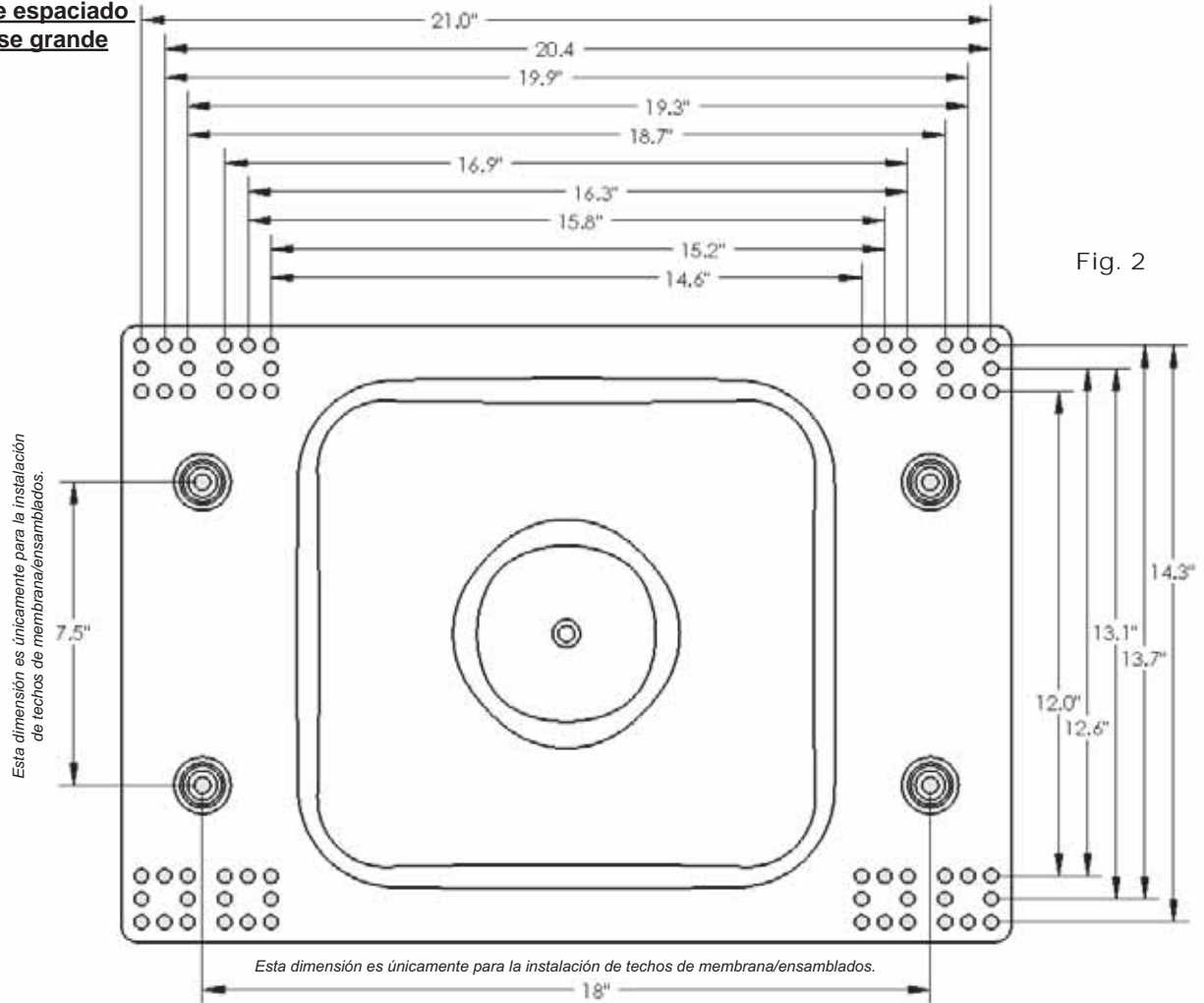
4.3 Instalación de la base

- Siempre debe seguir un plan previamente aprobado del lugar de instalación y las reglas de trabajo del lugar al instalar el kit del sistema de línea de vida horizontal para techos ShockFusion.
- La estructura del techo en la cual se instala el sistema debe ser capaz de soportar los requisitos de carga establecidos en la sección 2.2 Advertencias y limitaciones del sistema.
- La Guía de Selección de ShockFusion genera la distancia del borde a la cual se debe instalar el kit del sistema específico del cliente. No obstante, es necesario comprobar que la estructura del techo sea capaz de soportar las posibles cargas de detención de caída en el punto de instalación. Asimismo, deben considerarse el espacio libre para caída y el dispositivo de conexión.
- Deben tomarse las precauciones adecuadas para asegurarse de que el instalador no esté expuesto a riesgo de caída durante el proceso de instalación.

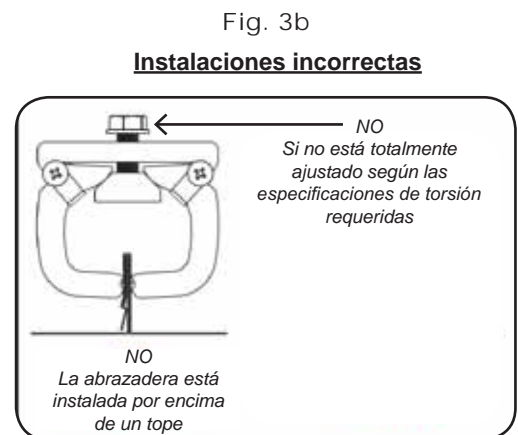
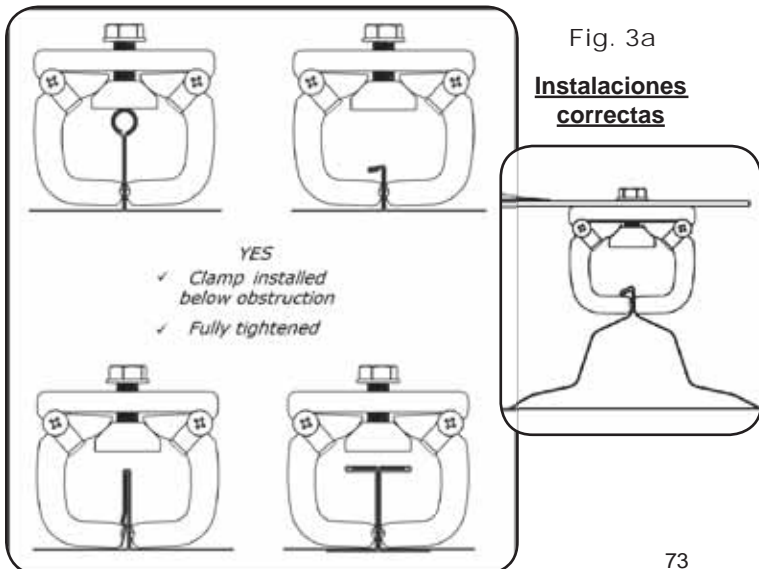
4.3.1 Instalación de la base en techos con juntas de chapa (Modelo X11011)

Es preciso determinar el espacio de las juntas de chapa del techo antes de instalar los ensamblajes de abrazaderas a la base grande de las juntas. Consulte el diagrama de espaciado de la base grande (Fig. 2) para determinar la cantidad de filas necesarias para crear el espaciado requerido para el techo de juntas de chapa. Recuerde que los ensamblajes de abrazaderas están diseñados para auto-centrarse, lo que permite que el espaciado esté desalineado ligeramente. Los ensamblajes de abrazaderas pueden instalarse en dos de los orificios de montaje de 0,34" (8,64 mm) de diámetro cualesquiera en una fila, en cada uno de los cuatro vértices para dar cabida a la máxima cantidad de juntas de chapa con diversos requisitos de espacio. Se pueden emplear barras de extensión opcionales en caso de necesitar espacio adicional.

Diagrama de espaciado de la base grande



Debido a la gran cantidad de estilos de techos de juntas de chapa, las ilustraciones siguientes son solo pautas para lograr una instalación correcta y segura. Como regla general, los ensamblados de abrazaderas deben siempre instalarse en la junta lo más abajo posible de un tope (la parte de la junta que está por encima del cierre de la abrazadera no debe ser más angosta). No debe instalarse en las partes con pendiente de la junta, puesto que la abrazadera se podría deslizar. Si tiene preguntas sobre la instalación correcta en un estilo específico de techo de juntas de chapa, póngase en contacto con el Servicio Técnico de Honeywell.



Para los kits del sistema de techos ShockFusion, los postes de extremo para techo ShockFusion y los postes intermedios para techo Fusion se instalan en los techos de juntas de soporte utilizando los mismos ensamblados de montaje de techos.

Instalación de la base grande - Modelo X11011 para postes de extremo de techo ShockFusion y postes intermedios de techo Fusion

1. Una vez determinado el espacio de las juntas de chapa, fije un ensamblado de abrazaderas (X11018) a cada uno de los cuatro vértices de la base tal como se muestra en la Fig. 4a. Inserte cada tornillo a través de la arandela y del orificio de montaje de la base y en el orificio correspondiente en la barra de ensamblado de abrazaderas. No ajuste hasta que la base esté colocada sobre el techo de juntas de soporte.
2. Coloque la base con las abrazaderas abiertas sobre las juntas y proceda a cerrarlas y ajustarlas. Las abrazaderas están diseñadas para auto-centrarse para lograr una alineación correcta. Existen diversos techos de juntas de soporte, pero en todos los casos las abrazaderas deben cerrarse por debajo del tope de la junta para asegurar que queden bien ajustadas y no se deslicen (ver Fig. 3a). Ajuste la torsión de las abrazaderas en 40 pies-lb (54 Nm), alternando los tornillos hasta que todos alcancen el valor de torsión correcto. *Nota: una vez que el primer tornillo alcance 40 pies-lb (54 Nm), no ajuste más de tres veces cada uno de los otros tres tornillos.*

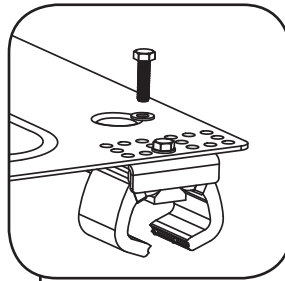


Fig. 4a

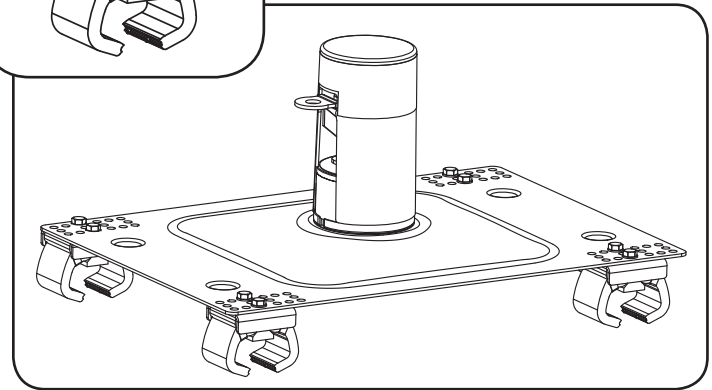


Fig. 4b

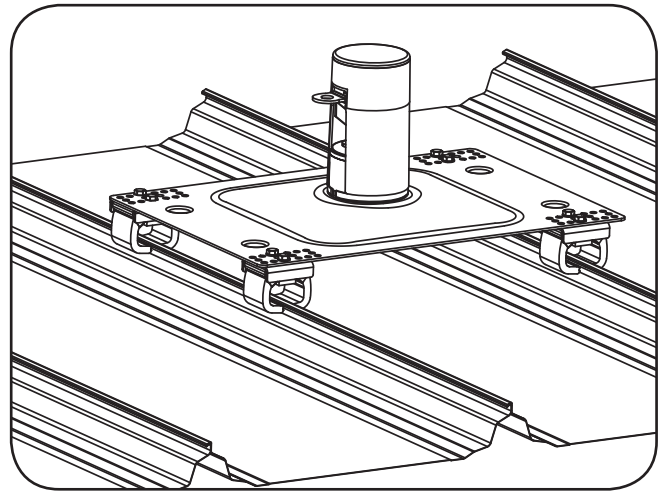


Fig. 4c -
Instalación completa

Para los kits del sistema de techos ShockFusion, los postes de extremo para techo ShockFusion y los postes intermedios para techo Fusion se instalan en los techos de juntas de chapa utilizando los mismos ensamblados de montaje de techos.

Uso de las barras de extensión - Modelo X11020 con la base grande - Modelo X11011 para postes de extremo de techo ShockFusion y postes intermedios de techo Fusion

Para los techos de juntas de chapa con un espaciado mayor a 21,25" (540 mm) y de hasta 24" (610 mm), se pueden agregar barras de extensión a la base.

1. Coloque las barras de extensión debajo de la base, alineando los orificios de la base con los orificios de la barra de extensión.
2. Fije las barras como se indica en la Fig. 5a. Inserte cada tornillo a través de la arandela, la base y la barra de extensión, y coloque una arandela y una tuerca en el lado de abajo. Utilice cuatro tornillos en cada extremo de la barra de extensión (un total de ocho tornillos) para lograr una instalación adecuada.
3. Repita el procedimiento para la barra de extensión del otro lado de la base. Ajuste la torsión de la herramienta de barra de extensión a 20 pies-lb (27 Nm).
4. Una vez determinado el espacio de las juntas de chapa, fije las abrazaderas a las barras de extensión utilizando las barras de ajuste, las cuñas y las herramientas tal como se muestra en la Fig. 5b. Para las abrazaderas ubicadas en los extremos de cada barra de extensión, inserte cada tornillo (dos por abrazadera) a través de la arandela y los orificios correspondientes de la barra de ajuste (ubicada de forma horizontal sobre los extremos de ambas barras de extensión), de la barra de extensión y de la barra del ensamblado de abrazaderas. Para los dos ensamblados de abrazaderas adicionales fijados en el centro de las barras de ajuste en cada extremo de la base, inserte cada tornillo a través de la arandela y de los orificios correspondientes en la barra de ajuste, la cuña y la barra de ensamblado de abrazaderas. Es necesario un total de seis ensamblados de abrazaderas para lograr una correcta instalación de la base grande con las barras de extensión. No ajuste hasta que la base esté colocada sobre el techo de juntas de chapa.

5. Coloque la base con las abrazaderas abiertas sobre las juntas y proceda a cerrarlas y ajustarlas. Las abrazaderas están diseñadas para auto-centrarse para lograr una alineación correcta. Existen diversos techos de juntas de chapa, pero en todos los casos las abrazaderas deben cerrarse por debajo del tope de la junta para asegurar que queden bien ajustadas y no se deslicen (ver Fig. 3a). Ajuste la torsión de las abrazaderas en 40 pies-lb (54 Nm), alternando los tornillos hasta que todos alcancen el valor de torsión correcto. *Nota: una vez que el primer tornillo alcance 40 pies-lb (54 Nm), no ajuste más de tres veces cada uno de los otros tres tornillos.*

Fig. 5a

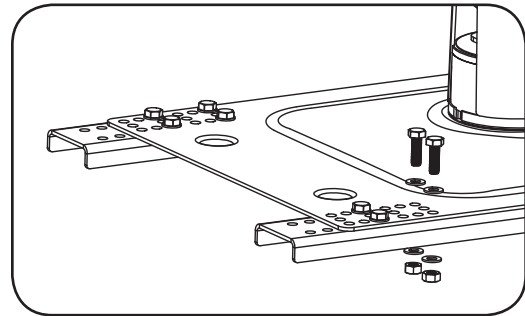


Fig. 5b

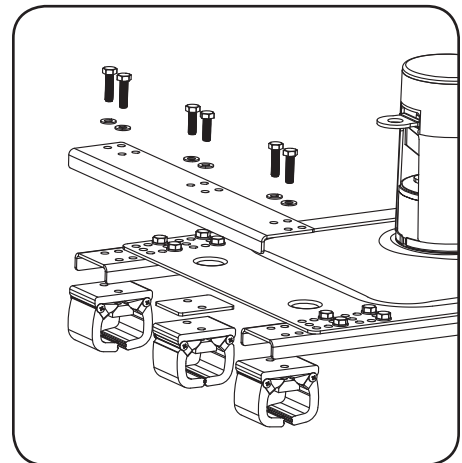
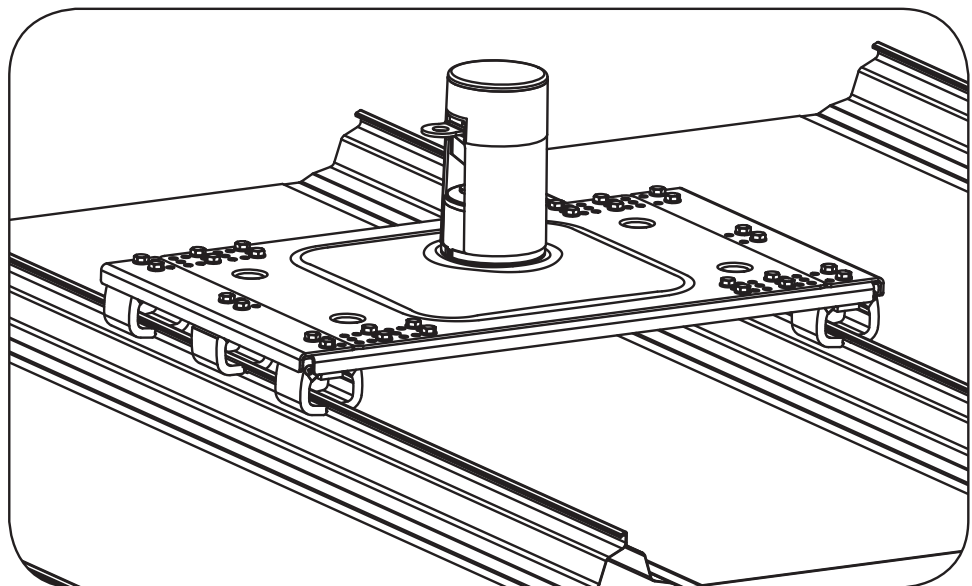


Fig. 5c - Instalación completa



4.3.2 Instalación de la base en cubiertas metálicas (Modelo X11013)

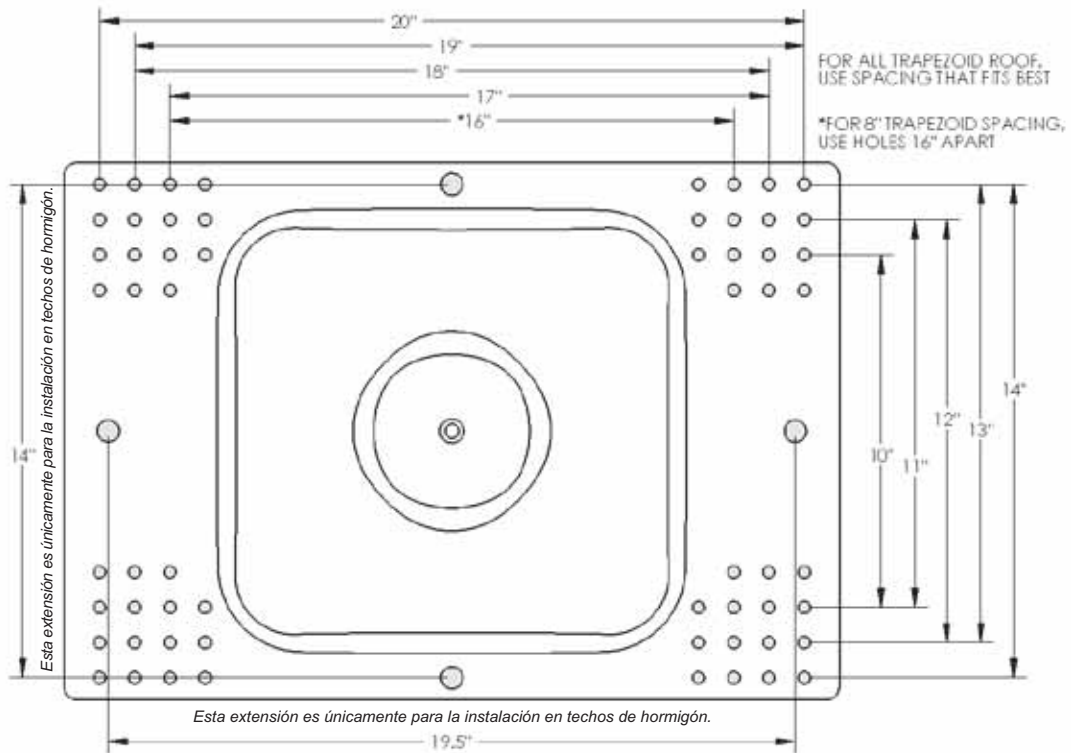
El modelo X10013 (base multipropósito) se fija a placas metálicas planas así como a techos de metal acanalado o de perfil trapecoidal. Usar la base con los postes de extremo para techo ShockFusion y los postes intermedios Fusion no afecta su instalación en la placa de metal.

Base multipropósito - Modelo X11013

1. Posicione la base sobre la placa de metal de modo tal que una fila de orificios de montaje de 0,34" (8,64 mm) de diámetro quede alineada con las canaletas de la placa en cada uno de los cuatro vértices de la placa de base tal como se muestra en la Fig. 7a. Consulte el diagrama de espaciado (Fig. 6) si es necesario. Los orificios de montaje deben estar centrados en las coronas de las canaletas de la placa. Nunca alinee los orificios de montaje sobre las superficies en forma de valle de las canaletas o en las pendientes de las canaletas de las cubiertas.
2. Con la base en posición, perfora en las canaletas de la cubierta cuatro orificios de 0,257" (6,53 mm) a 0,261" (6,63 mm) en fila, en los vértices de las ubicaciones de montaje hasta un total de 16 orificios.
3. Retire la base y coloque un trozo de cinta adhesiva sobre cada conjunto de orificios guía.
4. Vuelva a colocar la base en la cubierta de metal alineando los orificios guía con los orificios de montaje en la placa de base. Instale cada uno de los 16 remaches a través de una arandela de sellado, del orificio de montaje de la base correspondiente, de la cinta con adhesiva y de los orificios guía en las canaletas de la cubierta usando una remachadora adecuada.

ADVERTENCIA: Deben utilizarse los 16 remaches con las arandelas de sellado para asegurar la base correctamente.

Fig. 6



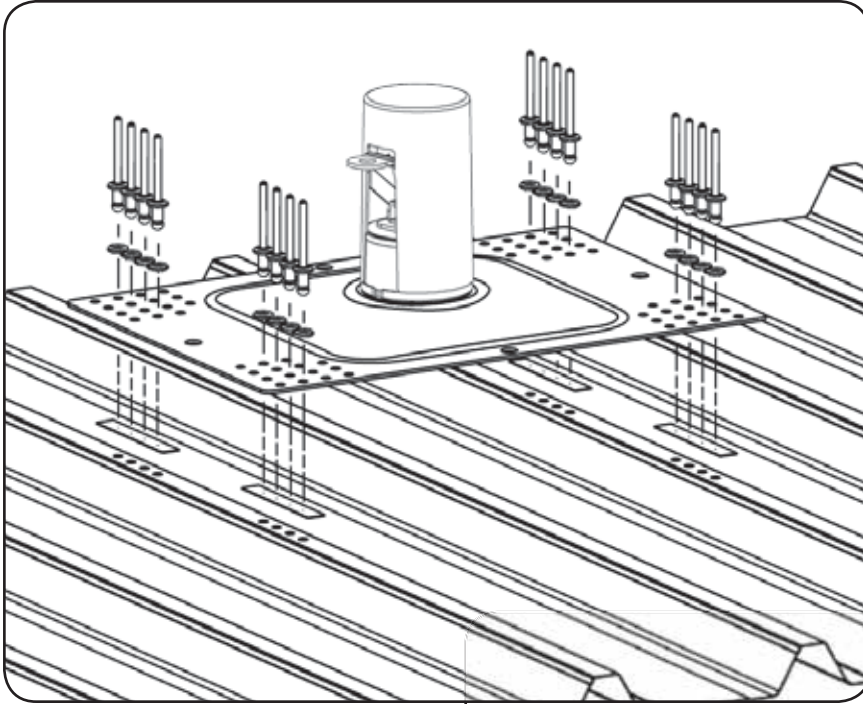
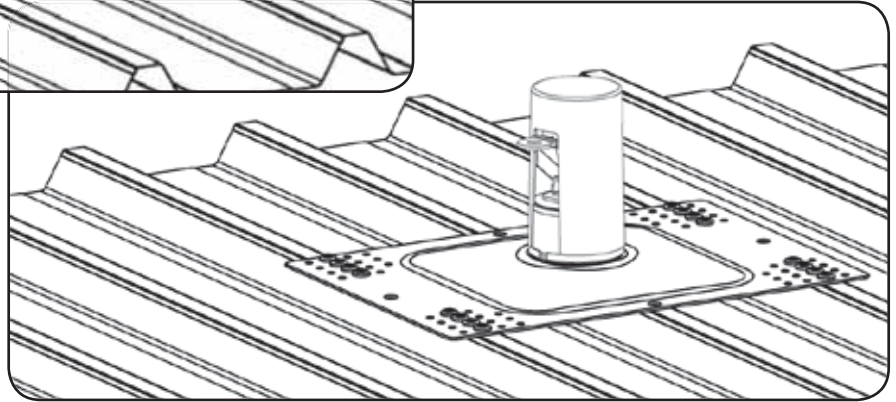


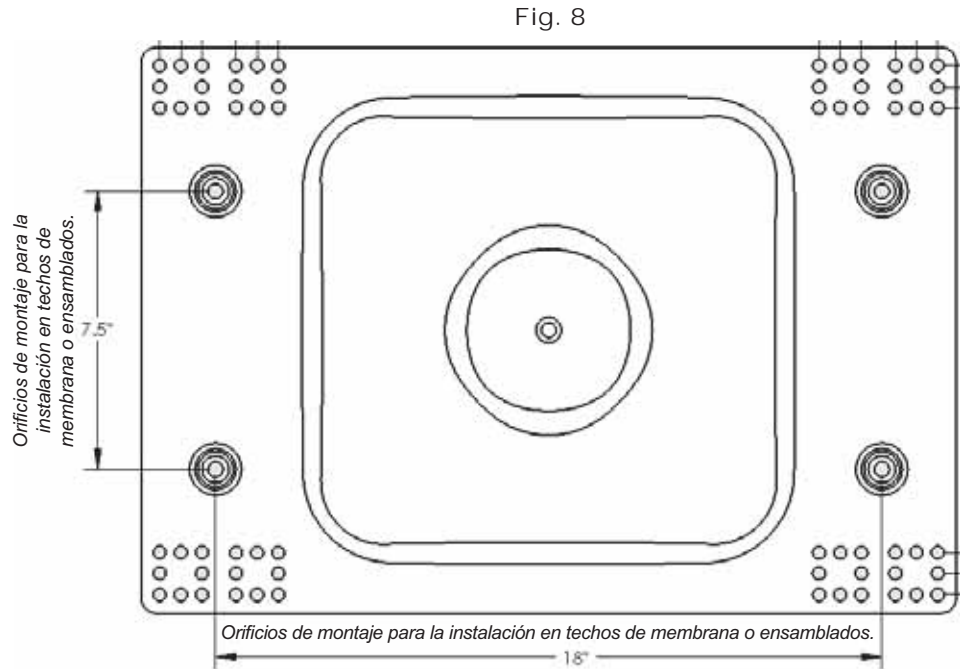
Fig. 7a

Fig. 7b -
Instalación completa

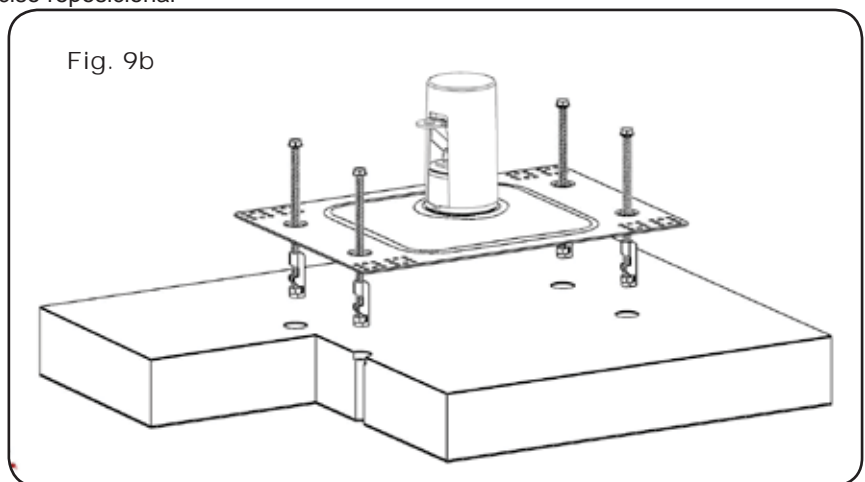
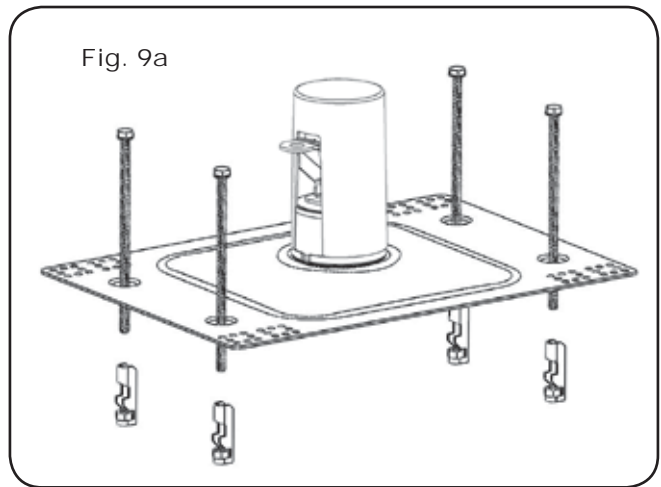


4.3.3 Instalación de la base en techos con membrana y ensamblados (Modelo X11012)

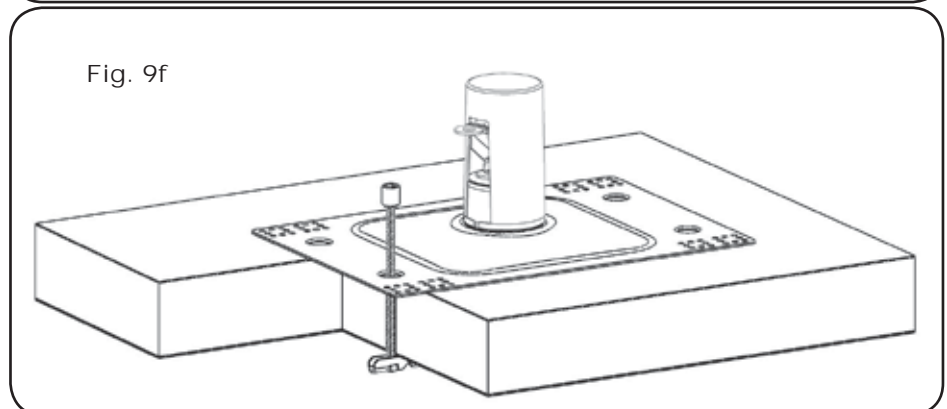
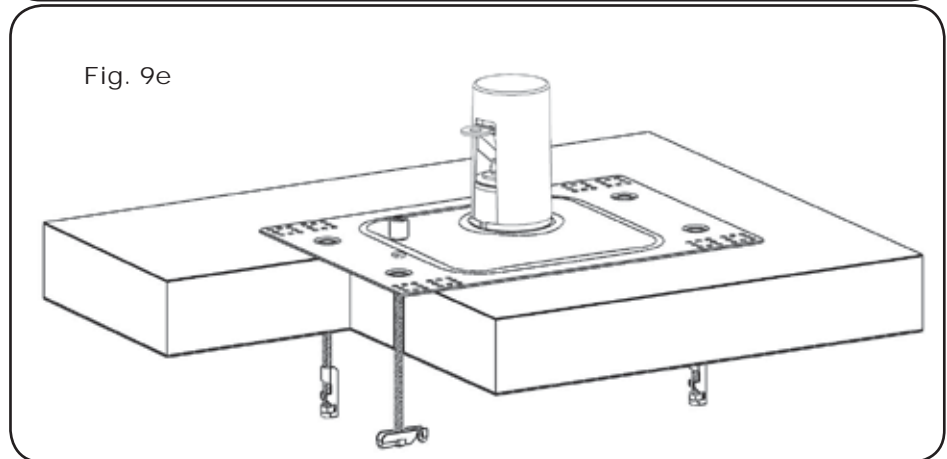
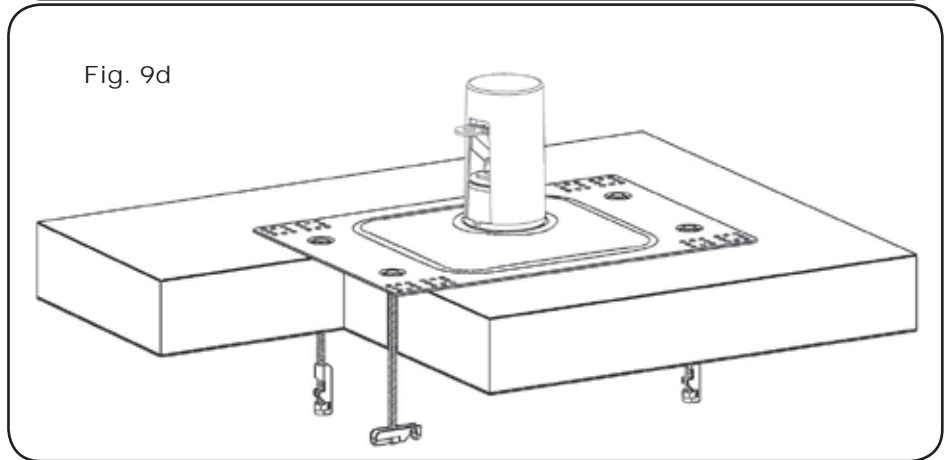
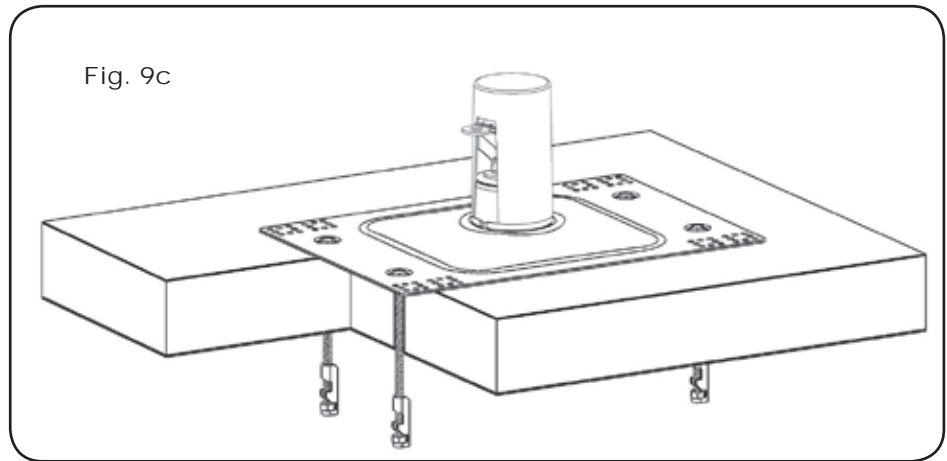
El modelo de base X11012 está diseñado para ser instalado en techos planos con membrana o ensamblados. El modelo X11004 es un kit de tornillos de fiador para techos de membrana y ensamblados con espesores combinados de hasta 5,5" (140 mm), mientras que el modelo X11005 es un kit de tornillos de fiador para espesores de techos combinados entre 5,5" (140 mm) y 10,5" (267 mm). Usar la base con los postes de extremo para techo ShockFusion y los postes intermedios Fusion no afecta su instalación en los techos de membrana o ensamblados.



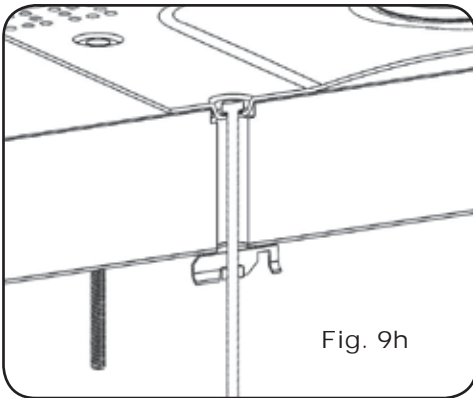
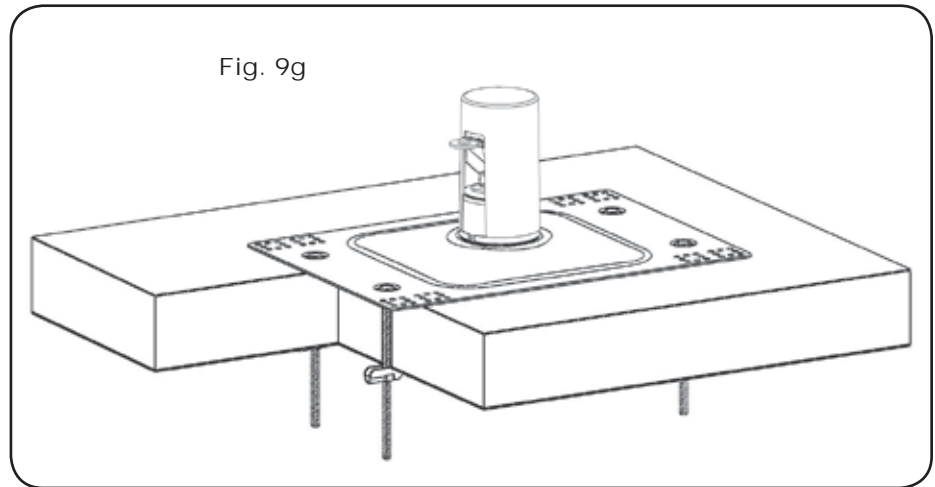
1. Coloque la base en la ubicación deseada en el techo.
Nota: los cuatro orificios de montaje deben estar ubicados sobre la cubierta del techo. Cuide que los orificios de montaje no queden ubicados directamente encima de un soporte o viga estructural que pueda interferir con la instalación del tornillo de fiador. Consulte el diagrama de espaciado (Fig. 8) si es necesario. Cuando el techo ensamblado o de membrana está compuesto por una placa de metal acanalada, los tornillos de fiador deben ubicarse en la superficie plana de la corona o en la superficie plana en forma de valle, pero no en la superficie inclinada de la canaleta.
2. Con la base en posición, utilícela como plantilla para marcar la ubicación de los cuatro orificios de montaje.
3. Remueva la base y perfore los orificios de prueba con una punta larga de taladro de 1/4" (6,35 mm) para garantizar la ubicación correcta de los tornillos de fiador en la cubierta acanalada. El taladro se desviará si toca una superficie acanalada pendiente; en tal caso, es preciso reposicionar la base, volver a marcar los orificios de montaje y realizar nuevos orificios de prueba hasta encontrar una posición de instalación correcta.
4. Una vez que los orificios de prueba hayan sido perforados correctamente, aparte la base y perfore cuatro orificios de 1,25" (31,75 mm) de diámetro a través de la membrana y del aislamiento con una profundidad de 1" (25,4 mm). Este orificio actúa como orificio escariado para ubicar de forma correcta el anclaje de techo.
5. Luego perfore cuatro orificios de 1" (25,4 mm) de diámetro en el centro de cada orificio escariado previamente perforado a través del aislamiento y en la cubierta del techo.



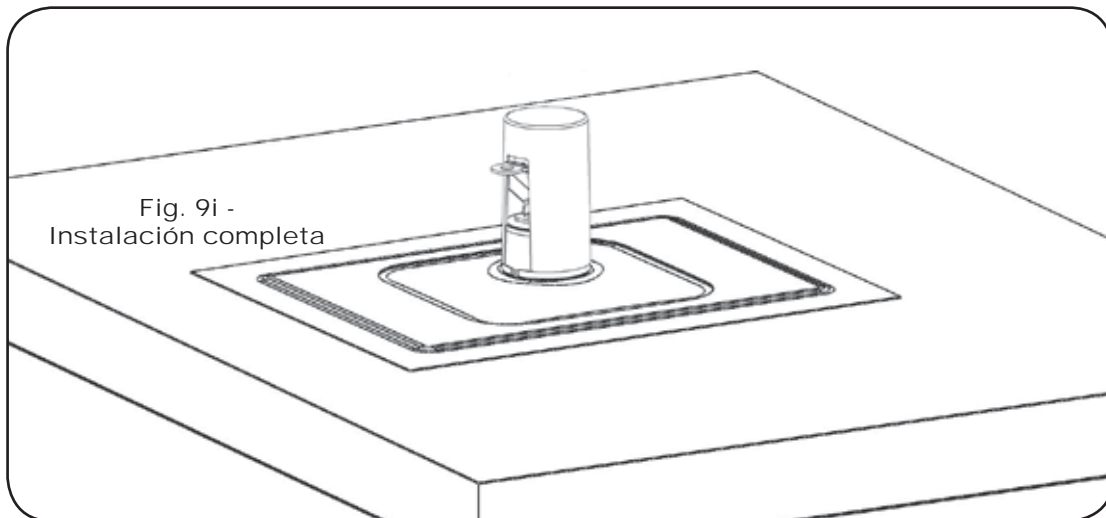
6. Ensamble el tornillo de fiador y la tuerca y colóquelos debajo de la placa de la base (ver Fig. 9a). Inserte el tornillo a través de la placa y enrósquelo en la tuerca hasta que quede completamente ajustado (ver Fig. 9b). No deje más de una vuelta de rosca expuesta por debajo de la tuerca, puesto que eso interferiría con la función del tornillo. Realice el mismo procedimiento para los otros tres tornillos de fiador.
7. Una vez que el tornillo de fiador/la tuerca/el perno están ensamblados a la placa, colóquela sobre los orificios previamente perforados e insértela en el techo (ver Fig. 9c).
8. Agite el tornillo de fiador varias veces para que se coloque en posición horizontal (ver Fig. 9d). Levante el ensamblado de tornillos de fiador para comprobar que estén volteados y no pasen a través de los orificios.
9. Coloque el imán en la llave de 17 mm (ver Fig. 9e). Coloque la llave sobre el tornillo o utilice un atornillador para levantar el tornillo de fiador hasta que haga contacto con la parte inferior del techo (ver Fig. 9f).
10. Haga fuerza hacia arriba para mantener el tornillo acodado en posición mientras ajusta el tornillo con el atornillador.



11. Una vez que el tornillo de fiador está bien colocado (ver Fig. 9g y 9h), aplique una fuerza de torsión de aproximadamente 10 a 15 pies-lb (14 a 20 Nm). Repita el mismo procedimiento para los otros tres ensamblados de tornillos de fiador.
12. Aplique sellador alrededor de la cabeza de cada tornillo. Rellene toda el área abierta del escariado en los cuatro orificios. Es aconsejable colocar relleno abundante puesto que protegerá contra el desgaste del tornillo en la membrana debido al tránsito de personas.
13. Coloque una capa de membrana alrededor de la placa de base y selle todos los bordes con sellador para techos.



Nota: debería llamarse a un contratista autorizado para el mantenimiento de membranas para que realice el aislamiento adecuado del poste de anclaje del techo una vez instalado.



4.3.4 Instalación de la base en techos de cubierta de madera (Modelo X11013)

El modelo de base X110013 también está diseñado para ser instalado en cubiertas de techo de madera contrachapada. Para las instalaciones donde una membrana de techo, aislamiento u otros materiales de techado cubran la madera contrachapada, utilice el modelo de base X11012. (Ver 4.3.3 Instalación de la base en techos con membrana y ensamblados). Usar la base con los postes de extremo para techo ShockFusion y los postes intermedios Fusion no afecta su instalación en la cubierta de madera contrachapada.

1. Coloque la base en la ubicación deseada en el techo.

Nota: todos los orificios de montaje deben estar ubicados sobre la cubierta del techo. Cuide que los orificios de montaje no queden ubicados directamente encima de un soporte o viga estructural con un espesor o de un material que pueda interferir con la instalación del tornillo de cabeza cuadrada.

2. Con la base en posición, perforo cuatro orificios guía de 1/4" (6,35 mm) de diámetro a través de la cubierta de madera contrachapada en cada una de las ubicaciones de montaje en los vértices hasta llegar a un total de 16 orificios (ver Fig. 10a). Se pueden utilizar cuatro orificios de montaje cualquiera, siempre que no estén uno al lado del otro.
3. Instale cada uno de los 16 tornillos de cabeza cuadrada en los orificios de montaje de la base y en el orificio guía correspondiente en la cubierta de madera contrachapada. Ajuste los tornillos de cabeza cuadrada hasta que queden correctamente colocados.

ADVERTENCIA: Deben utilizarse los 16 tornillos de cabeza cuadrada para asegurar la base correctamente. No ajuste demasiado los tornillos puesto que puede dañar la cubierta de madera contrachapada, lo cual reduciría la capacidad para soportar las fuerzas de detención de caída.

Fig. 10a

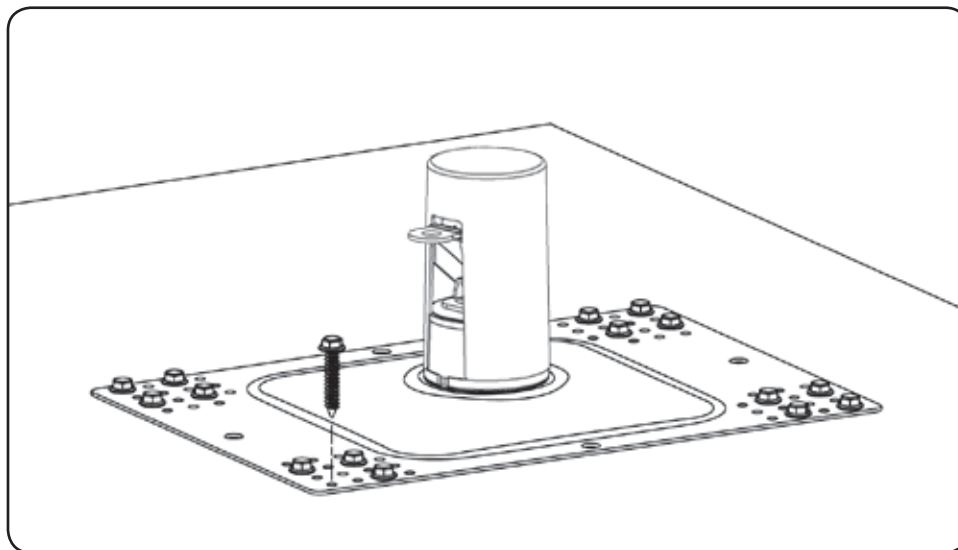
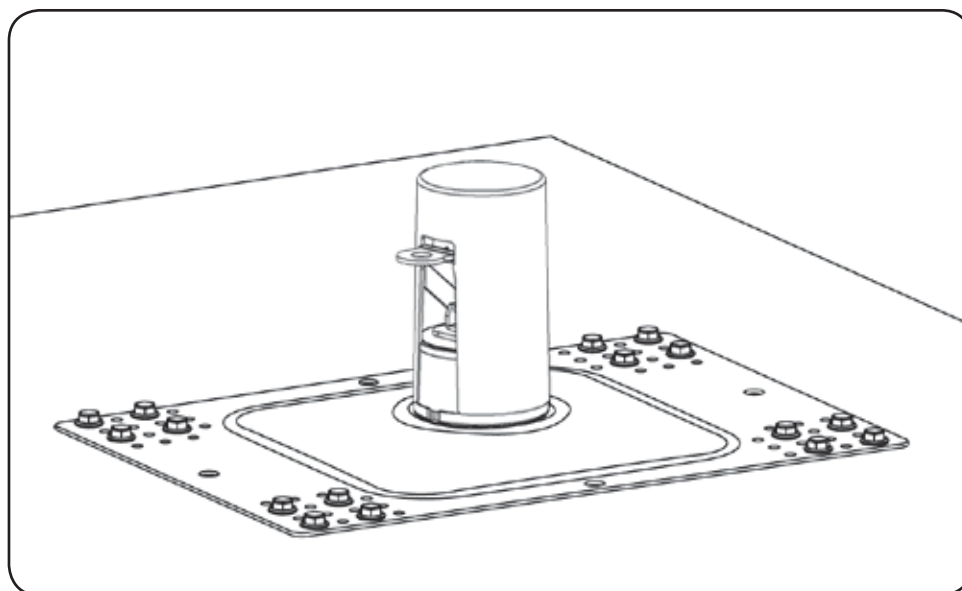


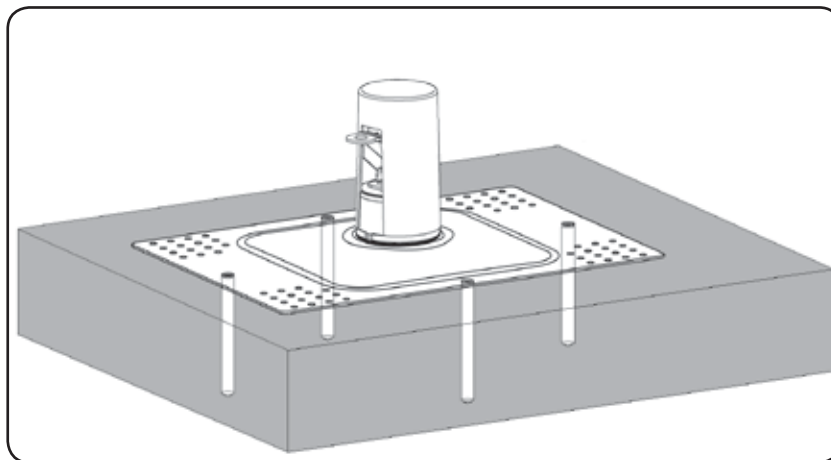
Fig. 10b -
Instalación completa



4.3.5 Instalación de la base en techos de hormigón (Modelo X11013)

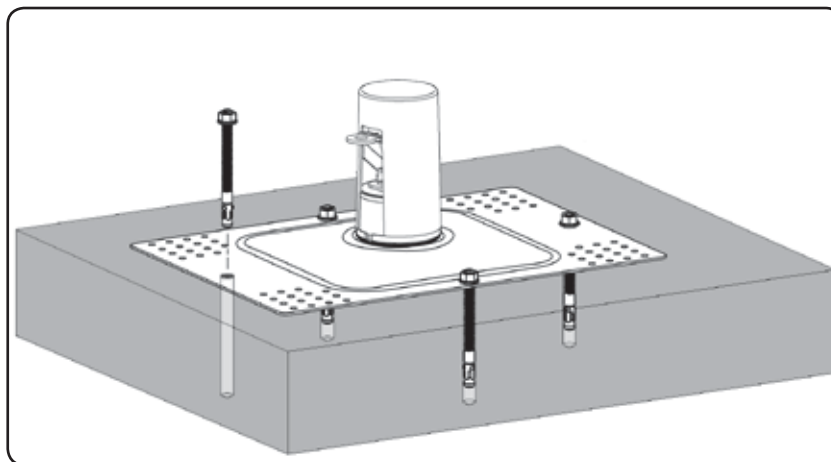
El modelo de base X11013 está diseñado para ser instalado en techos de hormigón. El hormigón debe tener una fuerza compresora mínima de 3000 PSI (20,7 MPa) y un espesor mínimo de 6,5" (165 mm). Usar la base con los postes de extremo para techo ShockFusion y los postes intermedios Fusion no afecta su instalación en los techos de hormigón.

Fig. 11a



1. Coloque la base en la ubicación deseada en el techo.
2. Con la base en posición, utilícela como plantilla para marcar la ubicación de los cuatro orificios de montaje tal como se muestra en la Fig. 11a.
3. Retire la base y perforo un orificio de 1/2" (12,7 mm) a una profundidad de 4-3/4" (120,65 mm) en cada una de las cuatro ubicaciones de montaje.
4. Limpie los residuos en cada uno de los orificios con una pipeta de soplado.
5. Vuelva a posicionar la base en el techo alineando los orificios de montaje sobre los orificios perforados.
6. Después coloque un tornillo de expansión en el orificio de montaje y a través del orificio perforado correspondiente en cada una de las cuatro ubicaciones de montaje (ver Fig. 11b).
7. Asegúrese de que la parte inferior de la cabeza del tornillo de expansión esté alineada con la placa de base antes de ajustar. Aplique una torsión a cada tornillo entre 50 y 60 pies-lb (68 y 81 Nm) con una llave de carraca de 3/4" (19 mm).

Fig. 11b



ADVERTENCIA: Deben utilizarse los 4 anclajes de tornillo de expansión para asegurar la base correctamente.

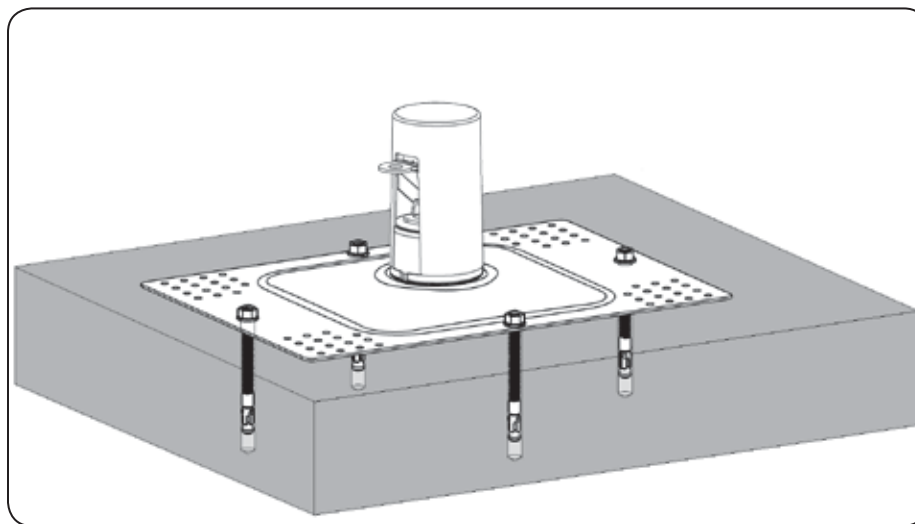


Fig. 11c -
Instalación
completa

4.4 Ensamblado e instalación de la línea de vida horizontal

4.4.1 Ensamblado de los componentes de la línea de vida horizontal e instalación en el sistema de poste de techo

Los kits de línea de vida horizontal ShockFusion incluyen una línea de vida de cable con un extremo previamente prensado que tiene un tensor de horquilla con indicador de tensión. El acabado del extremo opuesto de la línea de vida tendrá que realizarse en el lugar de instalación con la colocación de un guardacabos asegurado con sujetacables, y deberá cortarse el exceso de cable. **NO CORTE LA LÍNEA DE VIDA DE CABLE HASTA QUE AMBOS EXTREMOS ESTÉN COMPLETAMENTE INSTALADOS, SE HAYAN SACADO LAS CORREAS DE SUJECCIÓN Y LA LÍNEA DE VIDA ESTÉ CORRECTAMENTE TENSIONADA SEGÚN SE INDICA EN EL DISCO INDICADOR DE TENSION.**

ADVERTENCIA: Utilice siempre guantes y protección para los ojos cuando inspeccione o instale una línea de vida de cable.



Fig. 12

Instalación del tensor de horquilla con indicador de tensión de la línea de vida en el poste de extremo para techo ShockFusion

Nota: es recomendable que el extremo prensado con tensor de horquilla esté ubicado en el lugar de entrada más común de los usuarios al sistema de línea de vida horizontal, de modo que el indicador de tensión se encuentre accesible para su revisión antes de comenzar a usar el sistema.

1. Conecte el accesorio del extremo del tensor de horquilla al poste de extremo para techo alineando la abrazadera del accesorio de extremo con el ojo de anclaje saliente del poste de techo e instalando el pasador de tope proporcionado (Fig. 13a).
2. Después fije el pasador de tope instalando el pasador de aletas, doble los extremos con unas pinzas planas.
3. Una vez que el tensor de horquilla está bien instalado, coloque el tensor según las mediciones especificadas en la Fig. 13c. Esto permitirá más adelante ajustar y tensionar el sistema.

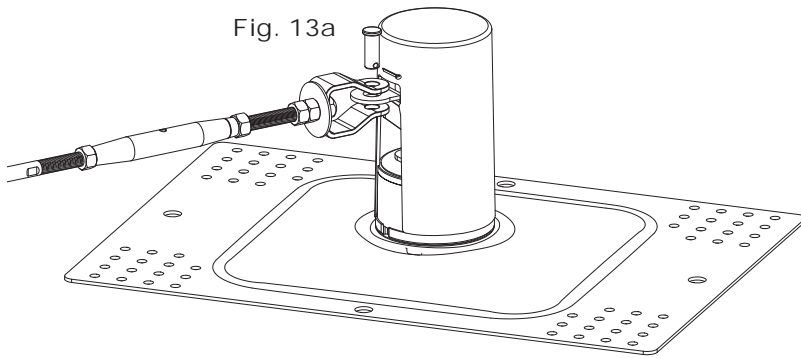


Fig. 13a

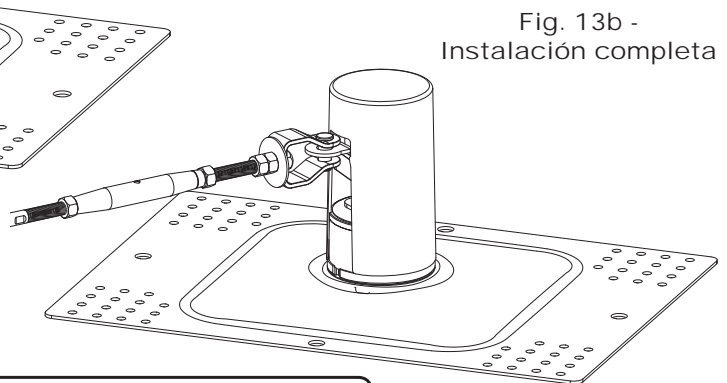


Fig. 13b -
Instalación completa

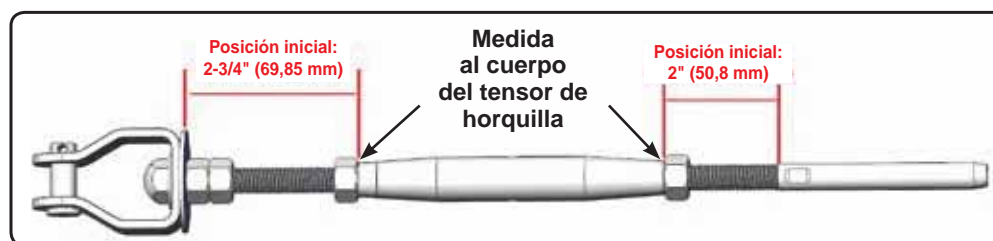


Fig. 13c

Instalación de la línea de vida de cable en los postes intermedios de techo Fusion con soportes intermedios universales

Los postes intermedios de techo Fusion se colocarán con el soporte intermedio universal (Modelo X11014), que está diseñado para las conexiones de línea de vida de enhebrado continuo y con curvas de 5° o menos.

1. Extienda el cable a lo largo del recorrido del sistema de línea de vida.
2. Instale todos los ensamblados de guía/soporte del cable (las partes superiores de los soportes intermedios universales) en el extremo libre del cable insertando el cable a través de las guías de cable. Después deslice todos los ensamblados a lo largo del recorrido de la línea de vida hasta que quede uno ubicado en cada poste intermedio de techo.

Fig. 14a



3. A continuación, coloque sin ajustarlas las abrazaderas de cada soporte en el poste de techo correspondiente alineando cada una con el tornillo saliente de la parte superior del poste y ajustando la arandela y la tuerca.
4. Luego conecte el ensamblado de guía/soporte del cable (con el cable) a la abrazadera utilizando un tornillo, una arandela y una tuerca.

Nota: asegúrese de que todos los soportes intermedios estén en posición fija y que estén en el mismo ángulo en todo el sistema de línea de vida (ver Fig. 14b y la nota correspondiente).

Fig. 14b - Ensamblado del juego de soportes intermedios universales en **posición fija**

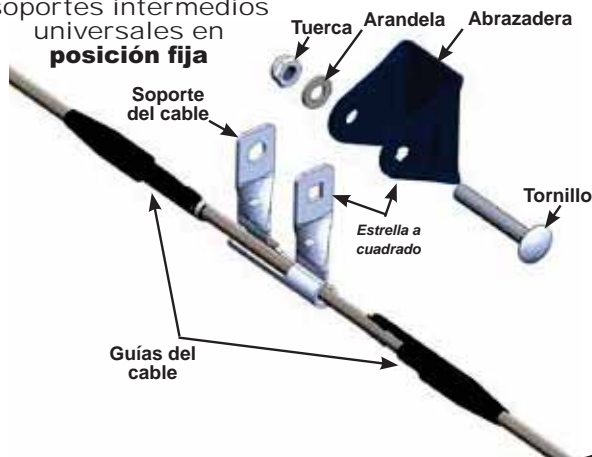
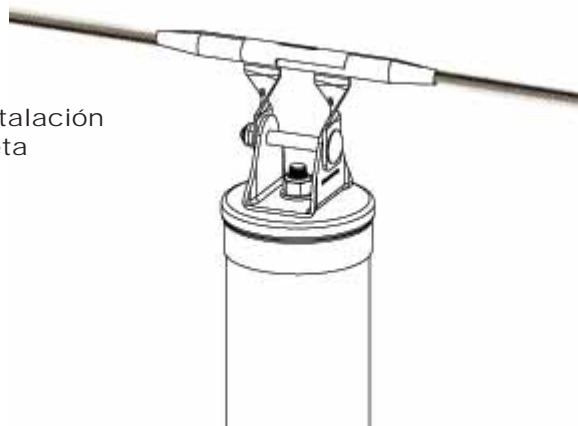


Fig. 14b Nota: el soporte intermedio universal debe estar en posición fija cuando se utiliza con el sistema de línea de vida horizontal para techos ShockFusion. Puede fijarse en la posición vertical como se muestra o en ángulo en incrementos de 45° hasta 90° en cualquier dirección. Para fijar la posición del soporte del cable, alinee el orificio con forma de estrella en la abrazadera con el orificio cuadrado en el soporte del cable (ver Fig. 14a) y coloque el soporte en ángulo en la posición fija deseada. Inserte totalmente el tornillo a través de los orificios alineados. (El tornillo debe entrar por el lado del orificio con forma de estrella). Ajuste la arandela y la tuerca. Asegúrese de que el soporte del cable esté colocado en posición fija; el soporte del cable nunca debe quedar flojo cuando se utiliza con este sistema.

5. Finalmente, comenzando con el extremo prensado de la línea de vida del sistema, alinee cada soporte y ajústelo al poste de techo.

Nota: compruebe dos veces para asegurarse de que todos los soportes intermedios estén en posición fija en el mismo ángulo, que estén en línea recta con el sistema de línea de vida y que estén bien ajustados a los postes.

Fig. 14c - Instalación completa



Instalación del guardacabos y del grillete de anclaje en el poste de extremo para techo ShockFusion

1. Quite el pasador, la tuerca y el tornillo del grillete de anclaje.
2. Posicione el guardacabos en el grillete de anclaje.
3. Después alinee el grillete de anclaje con el ojo de anclaje saliente del poste de techo e inserte el tornillo por completo a través del grillete de anclaje y del ojo de anclaje del poste. Coloque la tuerca y ajústela con una llave inglesa y de carraca de 3/4".
4. Inserte el pasador en el extremo del tornillo y dóblelo levemente para evitar que se salga.

Fig. 15a



Fig. 15b -
Instalación completa



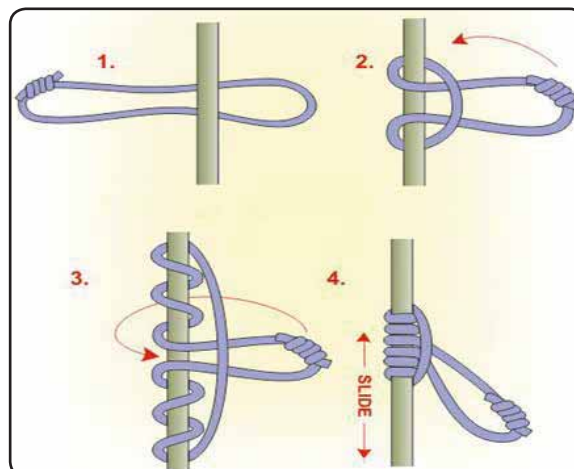
Eliminación de la distensión de la línea de vida en el sistema

Notas: es mejor que haya dos personas presentes durante este paso de la instalación; no debe tensionarse demasiado el cable. Para este paso de instalación, son necesarios dos trozos de cuerda de 3 pies (0,9 m) y una correa de sujeción de amarre.

Consulte las ilustraciones a continuación, después prosiga con el procedimiento de la página siguiente.



Correa de sujeción



Cómo atar un nudo Prusik

1. Inserte totalmente la línea de vida de cable a través del guardacabos, asegurándose de que el guardacabos esté en línea recta con el grillete de anclaje en la dirección de la línea de vida. En teoría, debería haber una vuelta de cable de al menos 1 a 2 pies (0,3 a 0,6 m) para completar los pasos siguientes.

Importante: durante el proceso de tensionado de la línea de vida, asegúrese siempre de que el guardacabos permanezca en línea recta con la línea de vida y que no se entrelace con el grillete de anclaje. Es posible que sea necesario utilizar una llave o una palanca pequeña para realinear el guardacabos.

2. Con una parte de la cuerda, ate un nudo Prusik en el extremo libre de la línea de vida, aproximadamente a 1 a 2 pies (0,3 a 0,6 m) del guardacabos. Con el otro pedazo de cuerda, ate un nudo Prusik en la línea de vida principal, aproximadamente a 6 pies (1,8 m) del poste de extremo para techo.
3. Conecte la correa de sujeción entre los dos nudos de Prusik enganchando uno de los extremos de la correa de sujeción en cada una de las lazadas de los nudos de Prusik. Con la correa de sujeción, ajuste el cable a la presión deseada de 80 kg (180 lb). Un segundo instalador puede observar el indicador de tensión en el extremo opuesto de la línea de vida; justo cuando el indicador de tensión comience a rotar libremente, deje de ajustar. Es importante no ajustar demasiado el cable.

Fig. 16a

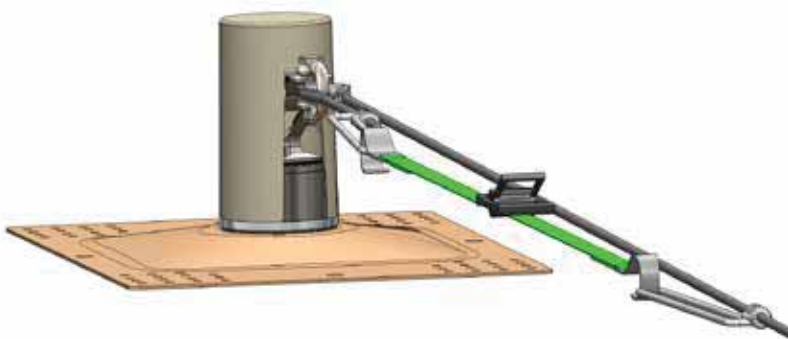
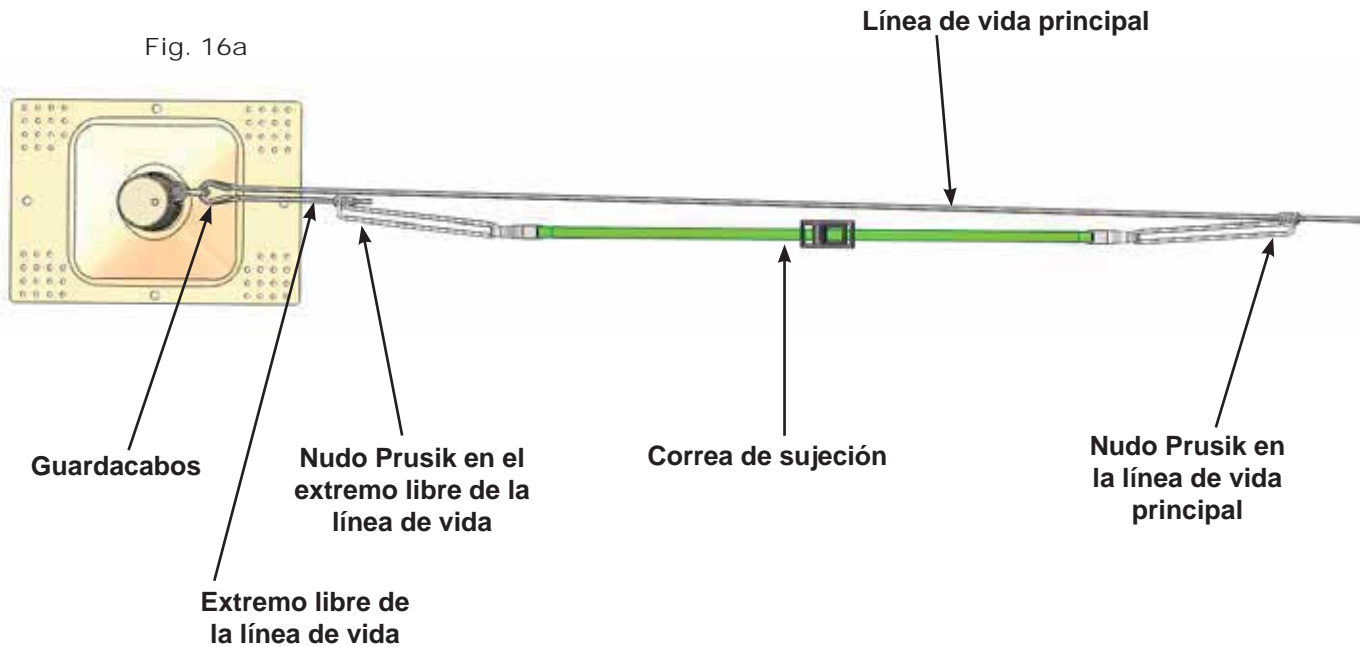


Fig. 16b

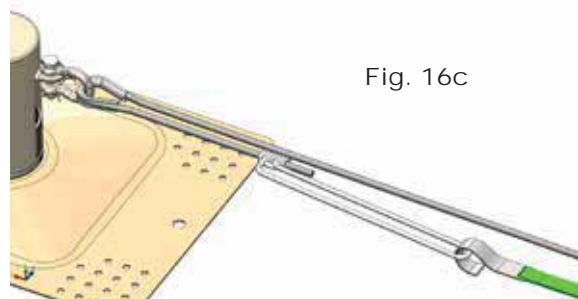
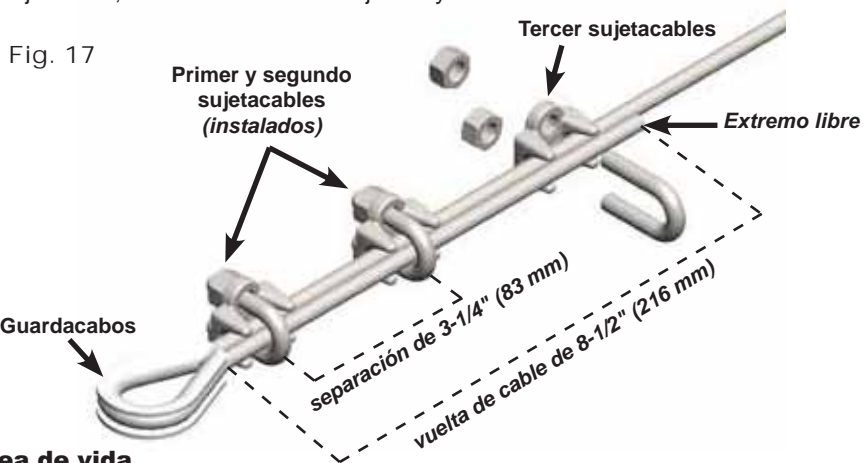


Fig. 16c

Línea de vida con sujetacables

Nota: debe haber al menos una vuelta de cable de 8-1/2" (216 mm) para instalar correctamente los sujetacables.

1. Con la correa de sujeción y los nudos de Prusik manteniendo firmemente tensa la línea de vida, fije el primer sujetacables tan cerca del guardacabos como sea posible; tenga en cuenta que el sujetacables en forma de U se debe instalar en el cable con el extremo libre (ver Fig. 17). Fije dos sujetacables más, con una separación entre sí de 3-1/4" (83 mm). Aplique una torsión a las tuercas de los sujetacables de **17 pies-lb (23 Nm)**.
2. Una vez que los sujetacables estén bien ajustados, desate la correa de sujeción y los nudos Prusik.



Verificación de la tensión de la línea de vida

IMPORTANTE: es esencial que la línea de vida tenga la tensión correcta antes de usarla. En caso contrario, los requisitos de espacio libre para caída se verán afectados, al igual que las fuerzas de caída potenciales que se puedan ejercer sobre el trabajador y el sistema.

Nota: todos los kits de línea de vida horizontal ShockFusion incluyen un tensor de horquilla con indicador de tensión. El disco indicador de tensión debería comenzar a girar libremente cuando la línea de vida alcance la tensión correcta (aproximadamente a una presión de 80 kg [180 lb]).

Una vez que el sistema esté completamente instalado y se hayan retirado la correa de sujeción y los nudos Prusik, compruebe la tensión de la línea de vida.

- Si el disco indicador de tensión está apretado y no puede girar libremente, ajuste el tensor de horquilla hasta que el disco comience a girar libremente. Utilice una llave de boca para evitar que la línea de vida se retuerza al tensionarla.
- Si el disco indicador de tensión ya está girando libremente, afloje despacio el tensor de horquilla hasta que el disco indicador de tensión no pueda girar. Luego vuelva a ajustar el tensor de horquilla nuevamente hasta que el disco comience a girar libremente. Esto evitará que la tensión de la línea de vida sea poca o demasiada. Al aflojar el tensor de horquilla, cuide no desenroscar las roscas.

Nota: las roscas internas y externas deben estar totalmente roscadas a ambos lados del tensor de horquilla. Si las roscas del tensor no están completamente enroscadas, deberá aflojar el sistema y repetir los pasos anteriores.

Fig. 18



IMPORTANTE: no sobrepase las medidas máximas que se muestran puesto que los componentes del tensor de horquilla pueden desenroscarse.

Una vez lograda la tensión correcta de la línea de vida, ajuste las tuercas de seguridad contra el cuerpo del tensor (como muestra la Fig. 18) para evitar que el tensor de horquilla gire.

Solución de problemas:

si el tensor de horquilla llega al máximo y el disco indicador de tensión no gira libremente, repita los pasos para la "Eliminación de la distensión de la línea de vida en el sistema" en las páginas 26 y 27. Deberá quitar los sujetacables y volver a colocar la correa de sujeción y los nudos Prusik. Mantenga el sistema lo más tensionado posible cuando reinstale los sujetacables. Una vez terminado, vuelva a comprobar la tensión de la línea de vida siguiendo los pasos anteriores.

IMPORTANTE: los sujetacables pueden volver a instalarse solo una vez. Es preciso revisar el estado de los sujetacables y de la línea de vida antes de volver a instalarlos. Si están dañados, póngase en contacto con el Servicio Técnico de Honeywell para obtener asistencia y/o con Atención al Cliente de Honeywell para obtener repuestas.




Corte del cable sobrante

Una vez que el sistema está totalmente instalado y se logró la tensión correcta, corte el exceso de cable con cuidado de que la herramienta de corte no entre en contacto con la línea de vida principal (parte activa de la línea de vida).

4.5 Instrucciones para completar la etiqueta del sistema

El instalador del kit del sistema de línea de vida horizontal para techo ShockFusion DEBE completar, con marcador permanente, dos etiquetas del sistema. Con las bridas proporcionadas, debe adherirlas a cada uno de los extremos de la línea de vida (unidos a la abrazadera del tensor de horquilla y al grillete de anclaje). Consulte la información generada por la Guía de Selección de ShockFusion (basada en la información aportada por el cliente) para asegurarse de que toda la información incluida en la etiqueta del sistema sea precisa. También debe registrar esta información en la página 9 de este manual. Complete la etiqueta según corresponda. Las letras proporcionadas en las casillas en la etiqueta siguiente corresponden a la tabla de la página 9 y a la Guía de Selección de ShockFusion. Para el tipo de dispositivo de conexión (B=), asegúrese de incluir todas las opciones dadas (1, 2, 3). El número de kit está en la lista de materiales o en la boleta de pedido original. La casilla del instalador debe incluir como mínimo, el nombre, la empresa e información de contacto. Las fechas de inspección regular deben registrarse en la etiqueta del sistema con el mes/año y las iniciales de la persona calificada o competente. **Esta etiqueta del sistema es fundamental para la seguridad de los usuarios de la línea de vida horizontal. NO UTILICE ESTE SISTEMA SI NO TIENE ESTA ETIQUETA.**

Fig. 19

		Productos de Seguridad Honeywell 1345 15th Street • PO Box 271 Franklin, PA 16323 EE.UU. Tel.800-873-5242 • Fax 800-892-4078		Sistemas de Línea de Anclaje Horizontal	
by Honeywell		Número de Kit:		Instalador:	
1. Longitud Máx. de Dispositivo de Conexión Aprobado:	D=	Se Requiere la Inspección por una Persona Competente (Inicial Mes/Año – Concluido el Procedimiento)			
2. Tipo de Dispositivo de Conexión Aprobado:	B=				
3. Cantidad Máx. de Usuarios en Sistema:	L=	Cumple con todos los requisitos OSHA aplicables.			
4. Cantidad Máx. de Usuarios por Eslinga:	C=				
5. Longitud Máx. de Eslinga:	F=				
6. Fecha de Instalación:	/ /				
		LB1290 REV A			

4.6 Inspección de la instalación

Una vez terminada la instalación, el instalador del kit del sistema de línea de vida horizontal para techo ShockFusion debe realizar una inspección final de todos los componentes del sistema y del sistema en general.

- Revisar que los componentes del sistema no se hayan dañado durante la instalación.
- Asegurarse de que todos los componentes se hayan instalado utilizando las herramientas Miller proporcionadas (o las herramientas aprobadas por Honeywell) y que todos los tornillos cumplan con las especificaciones de fuerza de torsión.
- Inspeccionar la instalación de la base en el techo y asegurarse de que la estructura del techo no se haya dañado durante la instalación. La integridad y solidez de la estructura del techo no pueden verse afectadas.
- Volver a comprobar que no falten herramientas o componentes.
- Asegurarse de que el indicador de prensado no se haya movido.
- Comprobar la tensión de la línea de vida y el indicador de tensión.
- Deben estar presentes las etiquetas, las marcas requeridas del sistema, las etiquetas de información del sistema y los índices de capacidad.

Las instalaciones de los sistemas ShockFusion deben ser aprobadas por una persona calificada.

5.0 Uso del sistema de línea de vida horizontal para techos ShockFusion

- Antes de cada uso, inspeccione con cuidado el sistema para techo además de todos los componentes del sistema personal de detención de caídas según las instrucciones del fabricante.
- Asegúrese de que exista suficiente espacio libre para la caída debajo de la superficie de trabajo para evitar golpearse contra un nivel más bajo o un obstáculo.
- Evite trabajar donde el dispositivo de conexión o la línea de vida pueda estar en contacto con bordes afilados o superficies abrasivas.
- Asegúrese de que todas las conexiones del sistema sean compatibles en términos de tamaño, forma y solidez.
- Utilice únicamente dispositivos de conexión aprobados con el sistema para techos ShockFusion.
- Todos los usuarios deben leer y seguir todas las etiquetas e instrucciones y deben familiarizarse con los parámetros especificados por el cliente para el kit del sistema de línea de vida horizontal que están incluidos en la etiqueta.
- Siga los índices de capacidad del sistema.

5.1 Conexión y uso de la línea de vida horizontal

1. Ajuste de forma adecuada el arnés de cuerpo entero. Consulte las instrucciones de colocación que vienen con el arnés.
2. Asegúrese de que la estructura sobre la que se trabajará esté correctamente apoyada antes de conectar la línea de vida horizontal. Utilice el equipo de protección contra caídas necesario para alcanzar la línea de vida horizontal.
3. Si utiliza el carrete con paso automático Xenon, instale el carrete en la línea de vida manteniendo presionado el botón a un lado del carrete al tiempo que lo empuja dentro del anillo de conexión para abrir las mordazas del canal de pasaje del cable. Después inserte el carrete en la línea de vida y suelte.

ADVERTENCIA: una vez instalado, asegúrese de que las mordazas del canal de pasaje del cable estén completamente cerradas y bloqueadas.

Cuando están cerradas y bloqueadas, el ancho del espacio entre las mordazas es entre 1/16" (1,6 mm) y 5/32" (4 mm) como máximo sin que se aplique ninguna fuerza.

4. Conecte un extremo de la eslinga con absorción de impacto o limitador de caída al anillo en D posterior del arnés y el otro al anillo de conexión en el carrete (o directamente a la línea de vida horizontal si no está usando el carrete). Consulte las instrucciones de colocación que vienen con el dispositivo de conexión. Asegúrese de que todas las conexiones sean compatibles y que todos los conectores, como los ganchos y mosquetones, estén cerrados y trancados.
5. Una vez que está bien asegurado, el usuario puede moverse a lo largo de la línea de vida. El gancho de traba (o conector) de la eslinga con absorción de impacto o del limitador de caída debe permanecer conectado al carrete (o a la línea de vida) y el carrete a la línea de vida en todo momento en todo el sistema. El carrete Xenon se alinea automáticamente para realizar el recorrido a través de los soportes intermedios. Si no se utiliza el carrete, será necesaria una eslinga de doble amarre con absorción de impacto para poder desviar los soportes intermedios al tiempo que se permanece conectado a la línea de vida con un 100% de protección contra caídas.

NOTA: después de su uso, es preciso sacar el carrete de la línea de vida horizontal y limpiarlo y almacenarlo de acuerdo a la sección 7.0 Inspección y mantenimiento.



Dispositivos de conexión aprobados

Cada kit de sistema de línea de vida horizontal para techos ShockFusion está diseñado para usarse al menos con uno de los siguientes dispositivos de conexión aprobados por Honeywell:

- Eslinga con absorción de impacto de fuerza de detención de caída máxima de 408 kg (900 lb)
- Eslinga con absorción de impacto de fuerza de detención de caída máxima de 816 kg (1800 lb)
- Línea de vida auto-retráctil con fuerza de detención de caída máxima de 816 kg (1800 lb) (Limitador de caída personal Miller Turbo T-BAK)

El tipo y la longitud del dispositivo de conexión que debe utilizarse con su sistema fue especificado en el momento en que el kit de sistema de línea de vida horizontal fue creado por la Guía de Selección de Productos Web de ShockFusion. Esta información debe registrarse en la etiqueta del sistema. Asegúrese de utilizar el/los dispositivo/s de conexión especificado/s para su sistema.

Nunca se recomienda el uso de eslingas de cable con absorción de impacto con los sistemas de techo ShockFusion.

Es preciso evitar o cubrir los bordes afilados o abrasivos para proteger el dispositivo de conexión.

Cuando se utiliza con el sistema para techos ShockFusion, el limitador Miller Turbo T-BAK está destinado para usarse como una eslinga retráctil común. No se debe "amarrar" a la línea de vida horizontal.

Lea y siga las instrucciones y advertencias proporcionadas con el dispositivo de conexión al momento del envío. Para hacer preguntas específicas de aplicaciones, póngase en contacto con el Servicio Técnico de Honeywell.

6.0 Capacitación

Es responsabilidad del comprador del equipo, los instaladores y los usuarios asegurarse de estar familiarizados con las instrucciones y capacitados sobre el uso adecuado, la instalación, la operación, el mantenimiento y las limitaciones de este sistema. La capacitación debe realizarse periódicamente y sin exponer al capacitado a un riesgo de caída.

7.0 Inspección y mantenimiento

7.1 Inspección

Los sistemas Miller ShockFusion deben ser inspeccionados con frecuencia. Además de realizar una minuciosa inspección tras finalizar el ensamblado o la instalación, el sistema debe ser inspeccionado visualmente por el usuario antes de cada uso e inspeccionado por una persona calificada o competente con regularidad, al menos anualmente. **Reemplace el equipo si se presenta cualquiera de los defectos explicados en este manual.**

- Inspeccione todo el sistema por los motivos siguientes: piezas dobladas, rajadas, deformadas, gastadas, en mal funcionamiento o dañadas; tornillos flojos o componentes o piezas faltantes; deterioro; deformación; corrosión; signos que indiquen que el producto ha sufrido una detención de caída; o cualquier otro indicio de daños o problemas que puedan afectar la integridad y operación del producto. Si tiene dudas, póngase en contacto con el fabricante.
- Verifique todos los tornillos y los valores de torsión correspondientes para garantizar que los postes del sistema estén fijados con seguridad a la estructura del techo (ver la sección 4.3 Instalación de la base). Inspeccione las condiciones del techo para garantizar que cumple con todos los requisitos de anclaje.
- Inspeccione los postes del sistema en busca de posibles cargas. El accesorio de poste saliente de los postes de extremo ShockFusion, que es la lengüeta del absorbedor de impacto dentro del poste, se bajará cuando esté expuesto a una fuerza (ver Fig. 21a). El poste intermedio Fusion se inclinará cuando esté expuesto a una fuerza (ver Fig. 21b).
- Inspeccione el prensado de los cables en busca de signos de desgaste. El anillo indicador de tensión se mueve con el cable dejando un espacio entre el anillo indicador y el extremo prensado para indicar cuando la línea de vida está expuesta a una tensión o carga elevada. Si hay un espacio (ver Fig. 22), el prensado del cable está afectado y es preciso retirar de servicio la línea de vida.
- Revise la línea de vida para comprobar que no esté cortada, deshilachada, retorcida o presente otros signos de desgaste inusual. **[PRECAUCIÓN: utilice siempre guantes para inspeccionar el cable.]**
- Verifique la tensión de la línea de vida. El indicador de tensión debe girar libremente cuando la tensión es la correcta.
- Revise el carrete Xenon y compruebe que no presente daños físicos, deformación, rajaduras, desgaste o corrosión. Asegúrese de que el carrete y sus piezas funcionen de forma adecuada. El anillo de conexión debe moverse libremente, el botón debe presionarse y volver a su posición original y las mordazas del canal de pasaje del cable deben cerrarse y trancarse. Consulte la sección 5.1 Conexión y uso de la línea de vida horizontal.
- Asegúrese de que estén presentes las etiquetas del producto y que sean legibles, incluida la etiqueta de información del sistema, que debe colocarse en la línea de vida al momento de la instalación (ver Etiquetas).
- Inspeccione los componentes del sistema personal de detención de caídas según las instrucciones del fabricante.

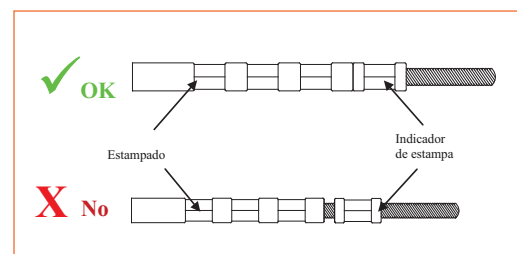
Fig. 21a - Poste de extremo/esquina ShockFusion: expuesto a una carga



Fig. 21b - Poste intermedio Fusion: expuesto a una carga



Fig. 22 - Anillo indicador de prensado



Si el sistema o cualquiera de sus componentes no aprueban la inspección o han estado sujetos a las fuerzas de detención de caídas, el sistema debe ser retirado del servicio hasta que el componente en cuestión sea reemplazado y el sistema sea **inspeccionado por una persona calificada.** 90

7.2 Limpieza y almacenamiento

El cuidado básico del equipo de protección contra caídas Miller prolongará la vida de la unidad o del sistema y contribuirá al rendimiento de su función de seguridad vital. Limpie periódicamente los componentes del sistema para quitar la suciedad, pintura, corrosivos, contaminantes u otros materiales que se puedan acumular. Cuando no utilice el carrete Xenon, guárdelo en un área limpia, seca y ventilada, libre de exposición a humos tóxicos, elementos corrosivos y efectos del medio ambiente.

7.3 Servicio de mantenimiento

El mantenimiento de los equipos de protección contra caídas Miller debe realizarlo únicamente Honeywell Safety Products o las personas o entidades autorizadas por escrito por Honeywell. Debe mantenerse un registro de todos los mantenimientos e inspecciones realizados al sistema. Únicamente las piezas de repuesto originales de Miller están aprobadas para ser utilizadas con este equipo. Los componentes irreparables que no pasan la inspección deben desecharse a fin de evitar su uso accidental. Póngase en contacto con el Servicio Técnico de Honeywell al 800.873.5242 (presione 4) si tiene preguntas.

Labels

Étiquettes / Etiquetas

Refer to labels inside the ShockFusion Roof Posts, as well as those affixed to the system by the installer. To access the roof post labels, simply pull cap edges outward slightly to release cap from retainer clips (see Fig. 22); then lift cap off.

Note: If for any reason the plastic cap is not properly retained by the retainer clip and shock absorber tab, it can be fastened with a few dabs of clear silicone sealant applied to the label under the cap. If this is required, the cap must still be able to be removed, and the label must be readable.

Se référer aux étiquettes à l'intérieur des poteaux pour toiture ShockFusion, ainsi qu'à celles apposées sur le système par l'installateur. Pour accéder aux étiquettes sur les poteaux pour toiture, tirez simplement les bords du couvercle légèrement vers l'extérieur afin de libérer le couvercle le dispositif de retenue (voir fig. 22); soulevez ensuite le couvercle.

Remarque : si pour une raison quelconque, le couvercle en plastique n'est pas correctement retenu par le dispositif de retenue et l'onglet amortisseur, il peut être fixé avec quelques gouttes de scellant en silicone transparent appliqués à l'étiquette sous le couvercle. Si cela est nécessaire, le couvercle doit tout de même être en mesure d'être enlevé, et l'étiquette doit être lisible.

Consulte las etiquetas dentro de los postes para techo ShockFusion, así como aquellas adheridas al sistema por el instalador. Para acceder a las etiquetas de los postes para techo, simplemente tire de los bordes de la tapa hacia afuera para liberar la tapa de los pasadores de retención (ver Fig. 22); después saque la tapa.

Nota: si por cualquier motivo la tapa plástica no queda bien ajustada por el pasador de retención y la lengüeta de absorción de impacto, puede ajustarse con unas gotas de sellador de silicona transparente aplicadas a la etiqueta debajo de la tapa. Si esto es necesario, igualmente la tapa debe poder quitarse y la etiqueta debe poder leerse.



Fig. 22



MILLER ShockFusion™

Horizontal Lifeline Roof System



Refer to labels inside post.
 Voir les étiquettes à l'intérieur du montant.
 Refiera a las etiquetas dentro del poste.

LB1171 Rev. E / MFP9346053

WARNING

The ShockFusion Roof Post is designed to be used as an end or corner anchorage within an approved Miller horizontal lifeline system.

- Inspect before each use according to the manufacturer's instructions. If the system is subjected to fall arrest forces or if inspection reveals an unsafe or defective condition, it must be taken out of service.
- Personal fall protection—a full-body harness and Miller approved shock-absorbing lanyard/personal fall limiter—must be used with this system. Refer to instructions for compatible equipment and connections.
- Ensure that there is adequate fall clearance. Refer to instructions.
- A rescue plan, and the means to implement it, must be in place when using this equipment.
- System must not be altered in any way.
- Refer to instructions for information on permissible direction of loading.
- Use caution when working in or near hazardous environments. Equipment must not be exposed to chemical, electrical or thermal sources which may affect the integrity of the system.
- Avoid contact with sharp edges and abrasive surfaces.



Honeywell Safety Products
 1345 15th Street, Franklin, PA 16323 USA
 800.873.5242



by Honeywell

LB1138 Rev. B / MFP9346052



Le montant de toiture ShockFusion est conçu pour servir d'ancrage d'extrémité ou pour un coin dans un système de cordage de sécurité horizontal Miller approuvé.

- Inspecter le produit avant chaque usage selon les instructions du fabricant. Si le système est soumis à des forces d'arrêt de chute ou si l'inspection révèle une condition dangereuse ou une défectuosité, il doit être retiré du service.
- Protection antichute personnelle — un harnais intégral et une longe amortisseur de chocs ou filin autorétractable Miller approuvé — utiliser avec ce système. Voir les instructions pour l'équipement compatible et les raccordements.
- S'assurer qu'il y a une distance de dégagement adéquate. Se reporter aux instructions.
- Un plan de sauvetage, et les moyens de le mettre en œuvre, doit être en place lors de l'utilisation de cet équipement.
- Le système ne doit être modifié d'aucune façon.
- Voir les instructions pour les informations sur la direction de charge permise.
- La prudence est de rigueur lors de travaux dans des milieux dangereux ou à proximité. Ne pas exposer l'équipement à des sources chimiques, électriques ou thermiques susceptibles de nuire à l'intégrité du système.
- Éviter tout contact avec des bords coupants et des surfaces abrasives.

ADVERTISSEMENT



by Honeywell

Honeywell Safety Products
 1345 15th Street • PO Box 271
 Franklin, PA 16323 USA
 Tel. 800-873-5242 • Fax 800-892-4078

Horizontal Lifeline Systems

Kit Number: _____

Installer: _____

Inspection Required by Competent Person
 (Month/Year - Initial Upon Completion): _____

Meets all applicable OSHA requirements.



LB1290 REV A

Inspection and Maintenance Log

Registre D'inspection et D'entretien

Registro de Inspección y Mantenimiento

DATE OF MANUFACTURE: _____
 DATE DE FABRICATION / FECHA DE FABRICACIÓN

MODEL NUMBER: _____
 NUMÉRO DE MODÈLE / NÚM. DE MODELO

DATE PURCHASED: _____
 DATE D'ACHAT / FECHA DE COMPRA

INSPECTION DATE DATE D'INSPECTION FECHA DE INSPECCIÓN	INSPECTION ITEMS NOTED POINTS NOTÉS LORS DE L'INSPECTION PUNTOS DE INSPECCIÓN RELEVANTES	CORRECTIVE ACTION ACTION CORRECTIVE MEDIDA CORRECTIVA	MAINTENANCE PERFORMED ENTRETIEN EFFECTUÉ MANTENIMIENTO REALIZADO
Approved by: Approuvé par: Aprobado por:			
Approved by: Approuvé par: Aprobado por:			
Approved by: Approuvé par: Aprobado por:			
Approved by: Approuvé par: Aprobado por:			
Approved by: Approuvé par: Aprobado por:			
Approved by: Approuvé par: Aprobado por:			
Approved by: Approuvé par: Aprobado por:			
Approved by: Approuvé par: Aprobado por:			
Approved by: Approuvé par: Aprobado por:			

Inspection and Maintenance Log

Registre D'inspection et D'entretien

Registro de Inspección y Mantenimiento

DATE OF MANUFACTURE: _____
 DATE DE FABRICATION / FECHA DE FABRICACIÓN

MODEL NUMBER: _____
 NUMÉRO DE MODÈLE / NÚM. DE MODELO

DATE PURCHASED: _____
 DATE D'ACHAT / FECHA DE COMPRA

INSPECTION DATE DATE D'INSPECTION FECHA DE INSPECCIÓN	INSPECTION ITEMS NOTED POINTS NOTÉS LORS DE L'INSPECTION PUNTOS DE INSPECCIÓN RELEVANTES	CORRECTIVE ACTION ACTION CORRECTIVE MEDIDA CORRECTIVA	MAINTENANCE PERFORMED ENTRETIEN EFFECTUÉ MANTENIMIENTO REALIZADO
Approved by: Approuvé par: Aprobado por:			
Approved by: Approuvé par: Aprobado por:			
Approved by: Approuvé par: Aprobado por:			
Approved by: Approuvé par: Aprobado por:			
Approved by: Approuvé par: Aprobado por:			
Approved by: Approuvé par: Aprobado por:			
Approved by: Approuvé par: Aprobado por:			
Approved by: Approuvé par: Aprobado por:			
Approved by: Approuvé par: Aprobado por:			

Notes

Remarques / Notas

MILLER[®]

by Honeywell

Toll Free: 800.873.5242

Fax: 800.892.4078

Download this manual at: www.millerfallprotection.com
Téléchargez ce manuel à l'adresse: www.millerfallprotection.com
Puede bajar por Internet este manual en: www.millerfallprotection.com

Honeywell Safety Products
P.O. Box 271, 1345 15th Street
Franklin, PA 16323 USA