

9081 Miller Edge™ Fall Protection System

Description

The Miller Edge™ Fall Protection System is a portable engineered anchorage solution designed to protect decking crews from fall hazards. The Miller Edge reduces the need for a Safety Monitor or a temporary cable lifeline system on leading edge deck construction.

Materials

Frame:	Painted Steel
Swivel Casters:	Althane, high strength, non-marking, chip-resistant, non-moisture absorbing
Paint:	Safety yellow enamel
Feet:	Rubber, black, high strength
Push pin:	Plated steel

Application Requirement

Decking Surface:	Smooth surface with ≤5% slope
Max. Working Distance:	26 feet forward 12 feet forward to each side

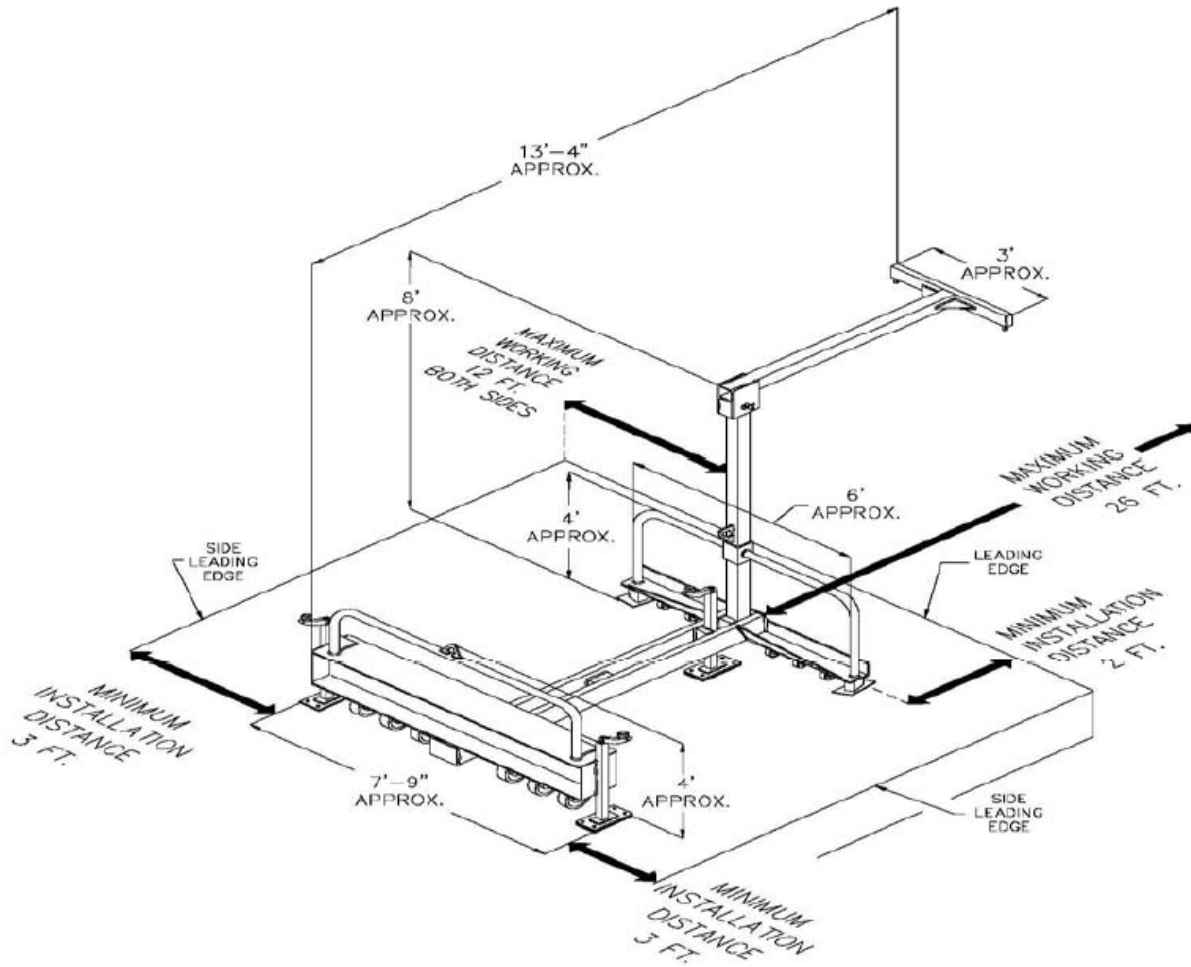
Technical

Max. Working Load:	310 lbs. (140 kg) per attachment point 620 lbs. (281 kg) total per unit
Weight:	1,650 lbs. (748 kg)

Certification

This product meets or exceeds the requirements of OSHA 1926.502 at the time of shipment.

TECHNICAL DATA
SP105 Rev A 8-17



Limitless Possibilities. Ask the Expert.

Technical Service: 800.873.5242
www.millerfallprotection.com

Honeywell Industrial Safety

900 Douglas Pike
Smithfield, RI 02917

USA

Phone: 800.430.5490
Fax: 800.322.1330

Canada

Phone: 888.212.7233
Fax: 888.667.8477

⚠ This equipment should only be used after reading and understanding the manufacturer's instructions. Failure to follow instructions could result in serious injury or fatality.