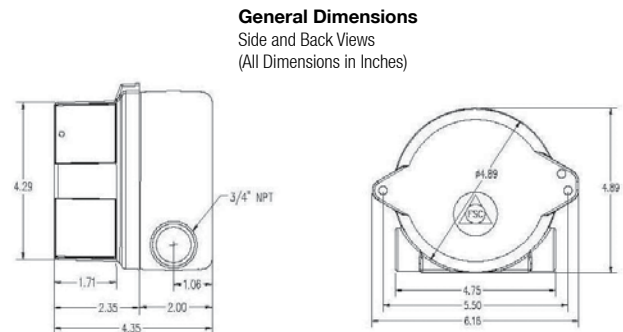
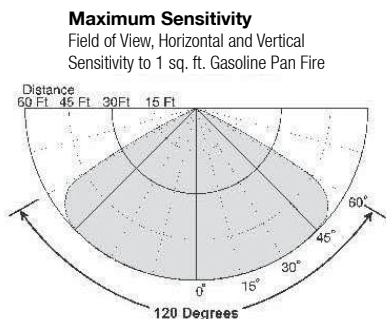


## Fire Sentry SS4 SPECIFICATIONS

### Electro-Optical Digital Fire and Flame Detectors



General Specifications	
<b>Sensitivity</b>	Adjustable between 60 ft., 45 ft., 30 ft, and 15 ft. to a 1 sq. ft. gasoline fire
<b>Response Time</b>	2-5 seconds to 1 sq. ft. of gasoline fire at 60 ft.
<b>Field-of-View</b>	120 degrees cone of vision (60 degrees from on axis).
<b>Spectral Sensitivity</b>	Ultraviolet: 185 to 260 nanometers Wide Band Infrared: 0.7 to 3.5 micrometers (SS4-A and SS4-AS only) Visible: 400 to 700 nanometers (SS4-A and SS4-AS only)
<b>Input Power</b>	24 Vdc nominal (20.5 to 34 Vdc)
<b>Power Consumption</b>	68 mA normal operation (relay version) 75 mA alarm condition (relay version) 95 mA alarm condition (analog version)
<b>Output Relays</b>	Fire Alarm Relay: NO & NC contacts Latching/Non-Latching, switch selectable Fire Verify Relay: NO & NC contacts Adjustable time from 0 to 30 seconds Fault Relay: NO & NC contacts Relay contact ratings: 0.5A at 120 VAc, 1.0A at 24 Vdc Fault relay is energized during normal operation All other relays are de-energized
<b>Operating Temperature</b>	-40 to 185°F (-40 to 85°C)
<b>Humidity Range</b>	5 to 98% RH, non-condensing
<b>Weight</b>	4 pounds - Aluminum 7.5 pounds - Stainless Steel
<b>Housing</b>	Copper-free aluminum (less than 0.4%) powder coated NEMA4 (IP66), tamper resistant with integral dual 3/4" NPT conduit openings or optional M25. Stainless steel housing available
<b>Electrical Classification</b>	Explosion-proof Class I, Div. 1 & 2, Groups B, C and D Class II, Div. 1 & 2, Groups E, F and G Class III
<b>Vibration</b>	Meets or exceeds MIL Spec 810 C Method 514.2, Curve AW
<b>Mounting</b>	Swivel bracket assembly
<b>Warranty</b>	Two years from factory shipping date



#### Find out more

[www.honeywellanalytics.com](http://www.honeywellanalytics.com)  
Toll-free: 800.538.0363

#### Please Note:

While every effort has been made to ensure accuracy in this publication, no responsibility can be accepted for errors or omissions. Data may change, as well as legislation, and you are strongly advised to obtain copies of the most recently issued regulations, standards, and guidelines. This publication is not intended to form the basis of a contract.