

# MILLER<sup>®</sup>

by Honeywell



## Permanent Roof Anchors

User Instruction Manual

Manuel D'utilisation / Manual de Instrucciones para El Usuario

# Table of Contents

1.0 General Requirements, Warnings and Limitations.....	3-4
2.0 PERMANENT Roof Anchors.....	4
3.0 Installation.....	5-10
3.1 RA40 Double D Permanent Roof Anchor	
3.2 RA41 Single D Permanent Roof Anchor	
3.3 RA45 Claw Permanent Roof Anchor	
4.0 Inspection and Maintenance.....	11
Product Dimensions.....	28
Notes.....	29
Inspection and Maintenance Log.....	30

---

# Table des Matières

1.0 Exigences Générales, Avertissements et Limitations.....	12-13
2.0 Ancrages PERMANENTS pour toitures.....	13
3.0 Installation.....	14-19
3.1 Ancrage permanent RA40 pour toitures avec double anneau en D	
3.2 Ancrage permanent RA41 pour toitures avec anneau simple en D	
3.3 Ancrage permanent RA45 à crochet pour toitures (Claw)	
4.0 Inspection et Entretien.....	19
Dimensions de Produit.....	28
Remarques.....	29
Registre D'inspection et D'entretien.....	30

---

# Índice

1.0 Requisitos Generales, Advertencias y Limitaciones.....	20-21
2.0 Anclas PERMANENTES para techos.....	21
3.0 Instalación.....	22-27
3.1 RA40 – Ancla permanente para techos con doble argolla “D”	
3.2 RA41 – Ancla permanente para techos de una argolla “D”	
3.3 RA45 – Ancla permanente con garra para techos (Claw)	
4.0 Inspección y Mantenimiento.....	27
Dimensiones del Producto.....	28
Notas.....	29
Registro de Inspección y Mantenimiento.....	30

## Thank You

Thank you for your purchase of Miller fall protection equipment manufactured by Honeywell Safety Products. Miller brand products are produced to meet the highest standards of quality at our ISO 9001 certified facility. Miller equipment will provide you with years of use when cared for properly.

### **⚠ WARNING**

**All persons using this equipment must read, understand and follow all instructions. Failure to do so may result in serious injury or death. Do not use this equipment unless you are properly trained.**

## Questions?

CALL  
1.800.873.5242

It is crucial that the authorized person/user of this equipment read and understand these instructions. In addition, federal law requires employers to ensure that all users are trained in the proper installation, use, inspection, and maintenance of fall protection equipment. Fall protection training should be an integral part of a comprehensive safety program.

Proper use of fall arrest systems can save lives and reduce the potential of serious injuries from a fall. The user must be aware that forces experienced during the arrest of a fall or prolonged suspension may cause bodily injury. Consult a physician if there is any question about the user's ability to use this product. Pregnant women and minor children must not use this product.

## 1.0 General Requirements, Warnings and Limitations

All warnings and instructions shall be provided to authorized persons/users.

**All authorized persons/users must reference the regulations governing occupational safety, as well as applicable ANSI or CSA standards. Please refer to product labeling for information on specific OSHA regulations, and ANSI and CSA standards met by the product.**

Proper precautions should always be taken to remove any obstructions, debris, material, or other recognized hazards from the work area that could cause injuries or interfere with the operation of the system.

All equipment must be inspected before each use according to the manufacturer's instructions.

All equipment should be inspected by a qualified person on a regular basis.

To minimize the potential for accidental disengagement, a competent person must ensure system compatibility.

Equipment must not be altered in any way. Repairs must be performed only by the manufacturer, or persons or entities authorized in writing by the manufacturer.

Any product exhibiting deformities, unusual wear, or deterioration must be immediately discarded.

Any equipment subject to a fall must be removed from service.

The authorized person/user shall have a rescue plan and the means at hand to implement it when using this equipment.

Never use fall protection equipment for purposes other than those for which it was designed. Fall protection equipment should never be used for towing or hoisting.

Equipment must not be exposed to environmental hazards and chemicals which may produce a harmful effect.

Do not allow equipment to come in contact with anything that will damage it including, but

not limited to, sharp, abrasive, rough or high-temperature surfaces, welding, heat sources, electrical hazards, or moving machinery.

Use in a highly corrosive or caustic environment dictates a more frequent inspection and servicing program to ensure that the integrity of the system is maintained.

Do not expose the equipment to any hazard which it is not designed to withstand. Consult

the manufacturer in cases of doubt.




Always check for obstructions below the work area to make sure potential fall path is clear.

Allow adequate fall clearance below the work surface.

Never remove product labels, which include important warnings and information for the authorized person/user.

## 2.0 PERMANENT Roof Anchors

Miller permanent roof anchors are anchorage connectors designed for residential and commercial roofing construction applications and are to be used with complete Miller Roofing Fall Protection Systems.

Permanent Roof Anchors		
Product Photo	Model No.	Description
	RA40	Stainless steel, permanent double D-ring roof anchor Includes eight (8) 16d nails Materials: Stainless steel, steel Weight: 1.5 lbs. (0.68kg)
	RA41	Stainless steel, permanent single D-ring roof anchor Includes eight (8) 16d nails Materials: Stainless steel, steel Weight: 1.5 lbs. (0.68kg)
	RA45	Stainless steel, Miller Claw™ permanent roof anchor Includes ten (10) 1-½" long, 8-½ Gauge galvanized roofing nails, flashing (with four 1-¼" long, 11 Gauge galvanized roofing nails) and weather cap Materials: Type #304 stainless steel, UV resistant Santoprene, Plastisol with UV inhibitor Weight: 1.38 lbs. (0.63kg)

## 3.0 Installation

### **Installation Warnings, Limitations and Requirements for All Roof Anchors**

Before installation of any roof anchor or roofing system, carefully inspect to ensure that it is in useable condition. Check for missing or damaged parts. Do not use if any component does not operate properly or appears to be damaged in any way. Refer to the inspection section of this manual.

Only trained and competent personnel should install and use this equipment.

Anchor and system must be installed and used in such a manner as to minimize the potential for a swing fall hazard and limit free fall distance to 6 feet (1.8m) or less.

Ensure that the anchor point selected is at a height that will not allow a lower level to be struck should a fall occur. To ensure adequate fall clearance, consider the following:

- Rope grabs have a maximum fall arrest distance of 39 in. (1m).
- Synthetic rope lifelines may stretch up to 5%. For synthetic rope lifelines, add 1 ft. (0.3m) of fall clearance for each 20 feet (6m) of rope above the connection point.
- Always remember that shock absorbers will elongate when subjected to fall arrest forces. Refer to the labels on the connecting device to obtain the maximum elongation distance.
- In addition to the above, it is essential to consider other components and variables, including but not limited to, the height of the worker to the worker's back D-ring, the length of the lanyard, the position of the worker in relation to the anchorage, and potential harness stretch.
- Honeywell Safety Products recommends that a 3 ft. (0.9m) safety factor be added to all fall clearance calculations.
- Call Honeywell Technical Service if there is any question about calculating fall clearance.

Fall arrest systems must be rigged in accordance to regulatory requirements. [All instructions and warnings provided with the components of the personal fall arrest system must be read, understood, and followed.]

All Miller fall protection products are designed for use with Honeywell-approved components only. Substitution or replacement with non-approved component combinations or subsystems or both may affect or interfere with the safe function of each other and endanger the compatibility within the system. This incompatibility may affect the reliability and safety of the total system.

Make sure that all connections within the fall arrest system are compatible.

Use only locking carabiners, locking snap hooks or other Honeywell-approved connectors or connecting devices to attach to this equipment.

The anchorage connector must be compatible with the snap hook or carabiner of the connecting device and must not be capable of causing a load to be applied to the gate/keeper. Never use an anchorage connector which will not allow snap hook or carabiner gate/keeper to close.

**Miller roof anchors and roofing systems are designed FOR USE BY ONE PERSON ONLY.**

**Never work above the roof anchor (i.e., higher level, dormer, higher roof structure, etc.)**

**The structure that this anchor is attached to must be capable of supporting 5,000 lbs. (22.2 kN) per user attached; or be designed, installed and used, under the supervision of a qualified person, as part of a complete personal fall arrest system which maintains a safety factor of at least two.**

**All roof anchors, when installed per Honeywell instructions as part of a Honeywell personal fall arrest system, meet the OSHA anchorage strength requirement of maintaining a safety factor of at least two.**

**Anchorage requirements based on ANSI Z359.1 are as follows:**

- **For fall arrest systems, anchorages must withstand a static load of 5,000 lbs. (22.2kN) for non-certified anchorages or two times the maximum arresting force for certified anchorages.**
- **For positioning systems, anchorages must withstand a static load of 3,000 lbs. (13.3kN) for non-certified anchorages or two times the foreseeable force for certified anchorages.**
- **For travel restraint, anchorages must withstand a static load of 1,000 lbs. (4.5kN) for non-certified anchorages or two times the foreseeable force for certified anchorages.**
- **When more than one personal fall arrest system is attached to an anchorage, the above anchorage strengths must be multiplied by the number of personal fall arrest systems attached to the anchorage.**

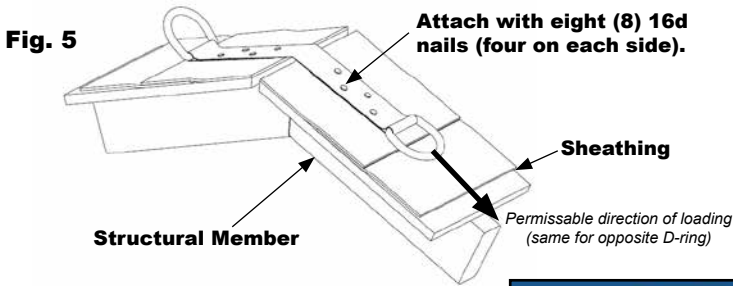
**Before installation and before each use, inspect the structure and roof members (i.e., studs, joists, rafters, trusses), where the roof anchor is installed or will be installed for deteriorated wood, rot, decay, defects, or any other questionable conditions. Ensure that the condition of the support structure will support the anticipated loads created by a fall arrest. Before use of any roofing fall protection system, ensure that the anchor is properly and securely installed with the required number of fasteners.**

**All roof anchors are OSHA compliant. For ANSI and CSA compliance, refer to product labeling.**

## 3.1 RA40 Double D Permanent Roof Anchor

### Warnings and Limitations

- For use by ONE person only. Maximum capacity is 310 lbs. (140.6kg), including body weight, clothing and tools. — DO NOT EXCEED THIS WEIGHT.
- Anchor points must be capable of supporting 5,000 lbs. (22.2kN) in the direction permitted by the system while in use (or provide a 2:1 safety factor).
- The RA40 roof anchor must be used in conjunction with a shock absorber/shock-absorbing lanyard that limits forces to 900 lbs. (4kN) or less.
- The RA40 roof anchor is intended to be installed on roofs and structures comprised of wood members and sheathing. Do not install anchor to gable ends, fascias, rake ends, overhangs, bottom cords, collar boards, spliced sections, damaged framing, or framing that is not capable of withstanding the potential loads.
- The RA40 roof anchor must be installed at least 2 ft. (.6m) from any roof edge. Use only nails supplied/approved by the manufacturer (galvanized steel 16d nails).



### Installation

1. Select an approved mounting location that meets or exceeds all installation requirements.  
Note: If installing into existing residential roofing comprised of asphalt shingles, shake or tile, it will be necessary to remove one or two pieces of the ridge cap to install the RA40 roof anchor.
2. Refer to Fig. 5 for proper setup.
3. Place and center the RA40 roof anchor over the ridge and install using eight (8) 16d nails. To ensure that each nail passes through the pre-punched holes and penetrates the structural member as required, nail in an inward angle toward the structural member until the nail head is flat against the anchor.

**WARNING: Use all eight (8) 16d nails to attach the RA40 roof anchor. All eight nails must pass through the sheathing and into a support structure. If this warning is not followed, the anchorage connection will be weakened and serious injury or death could occur in the event of a fall.**

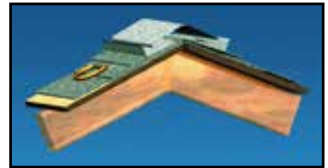
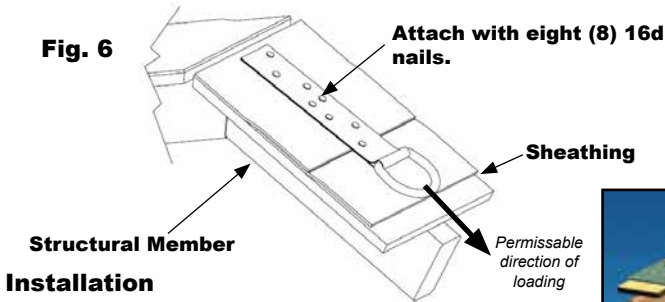
4. For added protection caulk can be applied to the nail heads before reinstallation of the ridge cap. Only the D-ring of the anchor should be exposed once installation is complete.

**WARNING: Attach to the D-ring only with a locking snap hook, locking carabiner, or other Honeywell-approved connector or connecting device.**

## 3.2 RA41 Single D Permanent Roof Anchor

### Warnings and Limitations

- For use by **ONE** person only. Maximum capacity is 310 lbs. (140.6kg), including body weight, clothing and tools. — **DO NOT EXCEED THIS WEIGHT.**
- Anchor points must be capable of supporting 5,000 lbs. (22.2kN) in the direction permitted by the system while in use (or provide a 2:1 safety factor).
- The RA41 roof anchor must be used in conjunction with a shock absorber/shock-absorbing lanyard that limits forces to 900 lbs. (4kN) or less.
- The RA41 roof anchor is intended to be installed on roofs and structures comprised of wood members and sheathing. Do not install anchor to gable ends, fascias, rake ends, overhangs, bottom cords, collar boards, spliced sections, damaged framing, or framing that is not capable of withstanding the potential loads.
- The RA41 roof anchor must be installed at least 2 ft. (.6m) from any edge. Use only nails supplied/approved by the manufacturer (galvanized steel 16d nails).



1. Select an approved mounting location that meets or exceeds all installation requirements.

Note: If installing into existing residential roofing comprised of asphalt shingles, shake or tile, it will be necessary to remove one or two pieces of the ridge cap to install the RA41 roof anchor.

2. Refer to Fig. 6 for proper setup.
3. Place the RA41 roof anchor with the D-ring on the lower end and install using eight (8) 16d nails. To ensure that each nail passes through the pre-punched holes and penetrates the structural member as required, nail in an inward angle toward the structural member until the nail head is flat against the anchor.

**WARNING: Use all eight (8) 16d nails to attach the RA41 roof anchor. All eight nails must pass through the sheathing and into a support structure. If this warning is not followed, the anchorage connection will be weakened and serious injury or death could occur in the event of a fall.**

4. For added protection caulk can be applied to the nail heads before reinstallation of the ridge cap. Only the D-ring of the anchor should be exposed once installation is complete.

**WARNING: Attach to the D-ring only with a locking snap hook, locking carabiner, or other Honeywell-approved connector or connecting device.**

### Installation Option

The RA41 roof anchor may also be installed vertically on a wall. D-ring must be located on the lower end of the installed anchor.

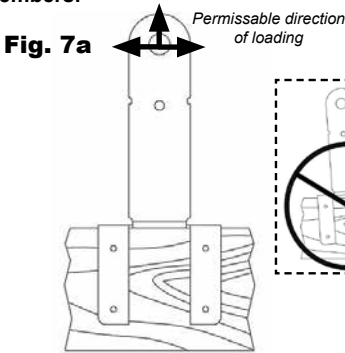




## 3.3 RA45 Miller Claw Permanent Roof Anchor

### Warnings and Limitations

- For use by **ONE** person only. Maximum capacity is 310 lbs. (140.6kg), including body weight, clothing and tools. — **DO NOT EXCEED THIS WEIGHT.**
- Anchor points must be capable of supporting 5,000 lbs. (22.2kN) in the direction permitted by the system while in use (or provide a 2:1 safety factor).
- The RA45 roof anchor must be used in conjunction with a shock absorber/shock-absorbing lanyard that limits forces to 900 lbs. (4kN) or less.
- The RA45 roof anchor is intended to be installed on roofs and structures comprised of wood members and sheathing. Do not install anchor to gable ends, fascias, rake ends, overhangs, bottom cords, collar boards, spliced sections, damaged framing, or framing that is not capable of withstanding the potential loads.
- The RA45 roof anchor must be installed at least 2 ft. (.6m) from any edge. Use only nails supplied/approved by the manufacturer (1-½" long, 8-½ Gauge galvanized roofing nails).
- The RA45 roof anchor is designed to fit 2" x 4", 6", 8", etc. or greater in height structural members.

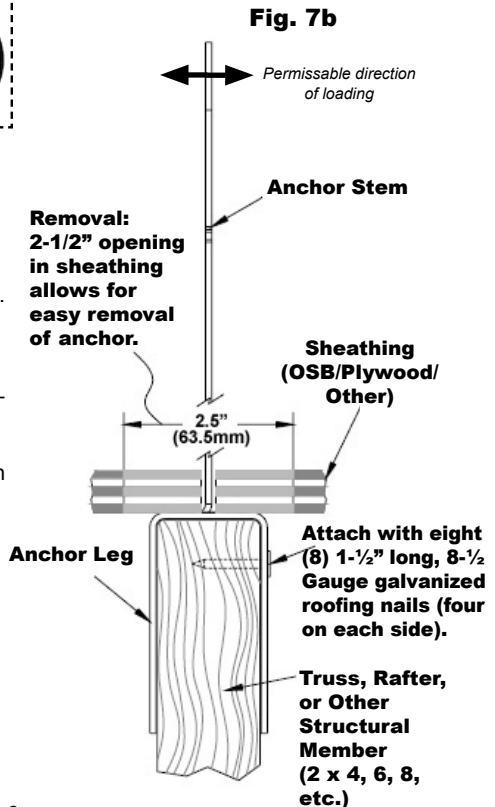


### Installation

1. Select an approved mounting location that meets or exceeds all installation requirements.
2. Refer to Fig. 7a & 7b for proper setup.
3. Place the RA45 roof anchor over any standard 2 x truss, rafter or other structural member ensuring that the anchor rests flush on the 2 x. Install all eight (8) 1-1/2" long, 8-1/2 Gauge galvanized roofing nails (four on each side) in the pre-punched holes, penetrating the structural member until the nail head is flat against the anchor.

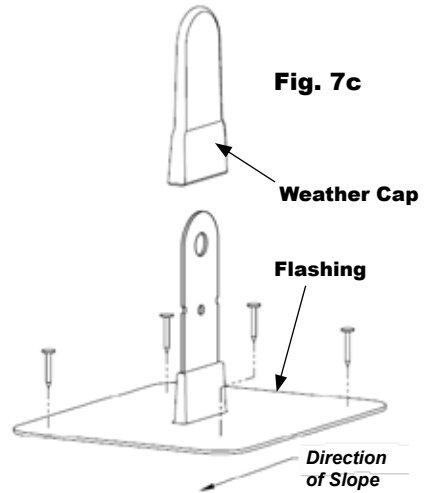
**WARNING:** Use all eight (8) 1-½" long, 8-½ Gauge galvanized roofing nails to attach the RA45 roof anchor. All eight nails must penetrate into the structural member. If this warning is not followed, the anchorage connection will be weakened and serious injury or death could occur in the event of a fall.

4. Install sheathing over the RA45 roof anchor.



5. Flashing Installation: Install flashing with nails provided 1" (25.4mm) from each end as shown in Fig. 7c. Be sure the shingles/roofing will cover the flashing when completed. Snap the weather cap over the anchorage stem when the anchorage is not in use to protect it and the structure from the elements.

**WARNING:** Connection to the RA45 roof anchor must only be made with a locking carabiner, locking snap hook, or other Honeywell-approved connector or connecting device.



### **Installation Option**

The RA45 roof anchor may also be installed inverted (upside down) or horizontally (sideways) to a wood rafter or other structural member.



## 4.0 Inspection and Maintenance

### Inspection

Miller brand products are designed for today's rugged work environments. To maintain their service life and high performance, products should be inspected frequently. **The devices included in this manual must be visually inspected by the user before each use and inspected by a Competent Person on a regular basis, at least annually. Do not use if any of the following conditions is detected.**

Inspect product for any of the following: bent, cracked, distorted, worn, malfunctioning or damaged parts; rough or sharp edges; loose fasteners or missing parts/components; corrosion; deterioration; signs that indicate the product has been subjected to a fall arrest; or any other indications of damage/problems that may affect the integrity and operation of the product. If in doubt, contact the manufacturer.

**Devices that do not pass inspection  
or have been subjected to fall arresting forces  
must be removed from service.**

### Cleaning and Storage

Basic care of all Miller fall protection equipment will prolong the life of the unit and will contribute toward the performance of its vital safety function. Periodically clean the device to remove any dirt, paint, corrosives, contaminants, or other materials that may have accumulated. When not in use, store in a clean, dry area, free of exposure to fumes or corrosive elements.

### Servicing

Servicing of Miller fall protection equipment must only be carried out by Honeywell Safety Products or persons or entities authorized in writing by Honeywell. A record log of all servicing and inspection dates for this device must be maintained. Only original Miller replacement parts are approved for use in this device. Non-repairable devices that do not pass inspection must be disposed of in a manner to prevent inadvertent further use. Contact Honeywell Technical Service at 800.873.5242 if you have any questions.

## Merci

Nous vous remercions d'avoir acheté les équipements antichute Miller fabriqués par Honeywell Safety Products. Les produits de marque Miller sont fabriqués selon des normes de qualité des plus rigoureuses, dans notre usine certifiée ISO 9001. Bien entretenu, un équipement Miller s'utilise des années durant.

### **⚠ AVERTISSEMENT**

**Toutes les personnes qui utilisent cet équipement doivent lire, comprendre et suivre toutes les instructions. Tout manquement à cette règle peut avoir pour conséquence des blessures graves ou la mort. Ne pas utiliser cet équipement à moins d'avoir reçu une formation adéquate.**

## Des Questions?

APPELEZ  
1.800.873.5242

Il est essentiel que la personne autorisée à utiliser cet équipement de protection contre les chutes lise et comprenne ces instructions. De plus, la loi fédérale oblige les employeurs à s'assurer que tous les utilisateurs ont reçu une formation sur la manière appropriée d'installer, d'utiliser, d'inspecter et d'entretenir les équipements antichute. La formation sur la protection contre les chutes devrait faire partie intégrante d'un programme global de sécurité.

L'utilisation adéquate de systèmes d'arrêt de chute peut épargner des vies et réduire le risque de blessures graves consécutives à une chute. L'utilisateur doit être sensibilisé au fait que les forces subies lors d'un arrêt de chute ou d'une suspension prolongée peuvent causer des blessures corporelles. Dans l'incertitude sur la capacité de la personne à utiliser ce produit, consulter un médecin. Les femmes enceintes et les mineurs ne doivent pas utiliser ce produit.

## 1.0 Exigences Générales, Avertissements et Limitations

Les avertissements et instructions devront être mis à la disposition des personnes/utilisateurs autorisés.

Les personnes/utilisateurs autorisés doivent se reporter à la réglementation applicable en matière de sécurité en milieu de travail, ainsi qu'aux normes ANSI ou CSA pertinentes. Veuillez vous reporter aux étiquettes apposées sur les produits pour des informations plus détaillées sur les règlements OSHA, ainsi que les normes ANSI et CSA auxquelles ces produits sont conformes.

Des précautions doivent être prises afin d'éliminer de la zone de travail les obstacles, débris, matériaux ou autres éléments présentant un danger et qui pourraient causer des blessures ou nuire au bon fonctionnement du système.

L'équipement doit être inspecté avant chaque utilisation selon les directives du fabricant.

L'équipement doit être régulièrement inspecté par une personne qualifiée.

Pour minimiser le risque de décrochage accidentel, une personne compétente doit s'assurer de la compatibilité du système.

Il est interdit de modifier l'équipement, de quelque façon que ce soit. Les réparations doivent être effectuées uniquement par le fabricant de l'équipement, ou par des personnes ou entités autorisées par écrit par le fabricant.

Tout produit déformé, anormalement usé ou détérioré doit être immédiatement mis au rebut.

Tout équipement soumis à une chute doit être mis hors service.

L'utilisateur doit posséder un plan de sauvetage et avoir les moyens de le mettre en œuvre lorsqu'il utilise cet équipement.

Ne jamais utiliser un équipement de protection contre les chutes dans un but autre que celui pour lequel il a été prévu. Ne jamais utiliser un tel équipement pour remorquer ou lever une charge.

Ne pas exposer le matériel à des risques environnementaux ni à des produits chimiques susceptibles de produire un effet nuisible.

Éviter tout contact entre un équipement et un objet susceptible de l'endommager, incluant notamment, sans que la liste soit exhaustive : des arêtes vives, une surface abrasive, rugueuse ou à haute température, du matériel de soudage, une source de chaleur, un appareil électrique présentant un danger ou une machine mobile.

L'utilisation dans un environnement fortement corrosif ou caustique dicte un programme plus fréquent d'inspection et de service pour s'assurer que l'intégrité du système est maintenue.

Ne pas exposer le matériel à tout risque pour lequel il n'est pas conçu. En cas de doute, consulter le fabricant.



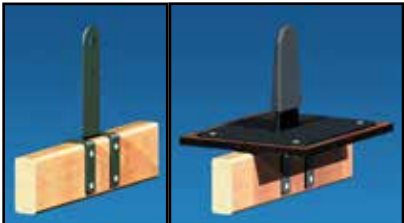
Prévoir une distance de dégagement suffisante en dessous de la surface de travail.

Toujours vérifier qu'il n'y a pas d'obstacles en dessous de la zone de travail et que le trajet en cas de chute est dégagé.

Ne jamais ôter une étiquette apposée sur un produit; des informations et avertissements importants y sont en effet inscrits à l'intention de la personne/de l'utilisateur autorisé.

## 2.0 Ancrages PERMANENTS pour toitures

Les ancrages permanents Miller pour toitures sont des connecteurs d'ancrage conçus pour des applications de construction de toitures résidentielles et commerciales et doivent être utilisés avec des systèmes intégraux Miller pour toitures.

Ancrages PERMANENTS pour toitures		
Photo du produit	N° de modèle	Description
	RA40	Ancre pour toitures en acier inoxydable avec double anneau en D. Comprend huit (8) clous 16d Matériau : acier inoxydable, acier Poids: 0.68kg (1.5 lbs)
	RA41	Ancre pour toitures en acier inoxydable avec anneau en D simple Comprend huit (8) clous 16d Matériau : acier inoxydable, acier Poids: 0.68kg (1.5 lbs)
	RA45	Ancre pour toitures en acier inoxydable, avec crampon permanent (Claw) Comprend dix (10) clous galvanisés pour toitures de 1-½ po de long, calibre 8-½, solin (avec quatre clous galvanisés pour toitures de 1-¼ po de long, de calibre 11) et capuchon de protection Matériaux : acier inoxydable de type n° 304, Santoprene, Plastisol Poids: 0.63kg (1.38 lbs)

## 3.0 Installation

### **Mises en garde sur l'installation, les restrictions et exigences pour tous les ancrages pour toitures**

Avant d'installer tout ancrage ou produit pour toitures, inspecter minutieusement le matériel pour s'assurer qu'il est en bon état. Vérifier s'il y a des pièces manquantes ou avariées. Ne pas utiliser le matériel si un élément quelconque ne fonctionne pas adéquatement ou semble avarié d'une façon ou d'une autre. Consulter la section du présent manuel traitant de l'inspection.

Seules des personnes formées et compétentes peuvent installer et utiliser cet équipement.

L'ancre et le système doivent être installés et utilisés de manière à minimiser le risque de chute par balancement et limiter la distance de chute libre à 6 pieds (1,8 m) ou moins.

S'assurer que le point d'ancrage choisi se situe à une hauteur ne permettant pas à un niveau inférieur d'être frappé, advenant une chute. Pour assurer une distance de chute adéquate, tenir compte des points suivants :

- Les coulisseaux de sécurité ont une distance maximale de chute libre de 39 po (1 m).
- Les câbles de sécurité en corde synthétique peuvent s'étirer jusqu'à 5 %. Pour les câbles de sécurité en corde synthétique, ajouter 1 pi (0,3 m) de distance de dégagement pour chaque longueur de 20 pieds (6 m) de cordage au-dessus du point de raccordement.
- Ne jamais oublier que les amortisseurs de chocs s'allongent lorsque soumis à des forces d'arrêt de chute. Examiner les étiquettes apposées sur le dispositif de raccordement pour connaître la distance maximale d'élongation.
- En plus des points ci-dessus, il importe de prendre en considération d'autres éléments et variables, notamment la hauteur du travailleur à l'anneau dorsal en D de l'ouvrier, la longueur de la longe, la position du travailleur en fonction de l'ancrage et de l'élongation potentielle du harnais.
- Honeywell Safety Products recommande d'ajouter un facteur de sécurité de 3 pi à tout calcul de distance de dégagement.
- Pour toute question sur le calcul de la distance de dégagement, appelez les services techniques de Honeywell.

Installer les systèmes d'arrêt de chute conformément aux exigences réglementaires.

[Toutes les instructions et mises en garde qui accompagnent les éléments du système d'arrêt de chute personnel doivent être lues, comprises et observées.]

Les produits de protection antichute Miller sont conçus pour être utilisés en conjonction avec des composants Miller approuvés. Les substitutions ou les remplacements par des combinaisons de composants ou de sous-systèmes non approuvés peuvent nuire à leur sécurité de fonctionnement réciproque et ainsi remettre en cause la compatibilité des éléments du système. Cette incompatibilité peut nuire à la sécurité et à la fiabilité de l'ensemble du système.

Assurez-vous que tous les raccords dans le système d'arrêt de chute sont compatibles.

N'utiliser que des mousquetons verrouillants, des boucles à pression verrouillantes ou d'autres raccords ou dispositifs de raccordement Honeywell approuvés pour fixer à cet équipement.

Le connecteur d'ancrage doit être compatible avec la boucle à pression ou le mousqueton du dispositif de raccordement et ne doit pas pouvoir provoquer l'application d'une charge au loquet. Ne jamais utiliser de connecteur d'ancrage ne permettant pas à la boucle à pression ou au loquet de mousqueton de se fermer.

**Les ancrages et produits pour toitures Miller sont conçus POUR ÊTRE UTILISÉS PAR UNE SEULE PERSONNE.**

Ne jamais travailler au-dessus de l'ancrage pour toiture (c.-à-d, niveau supérieur, lucarne, structure supérieure de toiture, etc.)

La structure à laquelle l'ancrage et le système sont fixés doit pouvoir supporter une charge statique de 5 000 lb (22,2 kN) ou assurer un facteur de sécurité de 2 :1 dans la direction de la traction.

Installés suivant les instructions de Honeywell dans le cadre d'un système individuel d'arrêt de chute, tous les ancrages pour toitures respectent les exigences OSHA pour la force des ancrages, soit le maintien d'un facteur de sécurité d'au moins 2.

Les exigences ANSI Z359.1 qui s'appliquent aux ancrages sont les suivantes :

- L'ancrage non certifié d'un dispositif anti-chute doit supporter une charge statique de 5000 lb (22.2 kN), tandis qu'un ancrage certifié doit supporter deux fois la force maximale mise en jeu lors de l'arrêt d'une chute.
- Dans le cas d'un dispositif de maintien, l'ancrage non certifié doit supporter une charge statique de 3000 lb (13.3 kN), tandis qu'un ancrage certifié doit supporter deux fois la force prévisible.
- Dans le cas d'une limitation de déplacement, l'ancrage non certifié doit supporter une charge statique de 1000 lb (4.5 kN), tandis qu'un ancrage certifié doit supporter deux fois la force prévisible.
- Lorsque plusieurs dispositifs anti-chute individuels sont fixés à un même ancrage, les résistances d'ancrage ci-dessus doivent être multipliées par le nombre de dispositifs anti-chute rattachés à l'ancrage.

Avant l'installation et avant chaque usage, inspecter la structure et le matériel de la toiture (c.-à-d., montants, solives, arbalétriers, fermes), où l'ancrage pour toiture est ou sera installé pour y détecter du bois détérioré, de la pourriture, de la dégradation, des défauts, ou toute autre condition douteuse. S'assurer que la condition de la structure de soutien peut supporter les charges anticipées par un arrêt de chute. Avant d'utiliser un système de protection antichute pour toitures, s'assurer que l'ancrage est installé adéquatement et sécuritairement au moyen du nombre requis d'attaches.

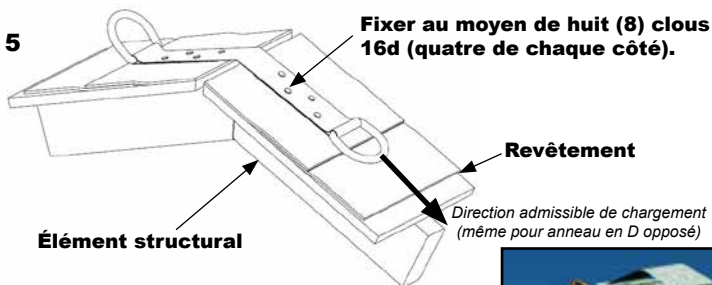
Tous les ancrages pour toitures sont conformes à l'OSHA. Pour la conformité ANSI et CSA, consulter l'étiquetage des produits.

## 3.1 Ancrage permanent RA40 pour toitures avec double anneau en D

### Mises en garde et restrictions

- À utiliser par UNE seule personne. Capacité maximale : 310 lb (140,6 kg), y compris les poids du corps, des vêtements et des outils. – NE PAS EXCÉDER CE POIDS.
- Les points d'ancrage doivent pouvoir supporter 5 000 lb (22.2kN) dans la direction autorisée par le système pendant son utilisation (ou garantir un facteur de sécurité de 2 : 1).
- L'ancrage RA40 pour toitures est conçu pour être installé sur les toitures et structures comprenant des éléments et un revêtement en bois. Ne pas installer l'ancre à des pignons, fascias, inclinaisons, surplombs, cordes, colliers, sections doubles, ni à une charpente endommagée ou ne pouvant pas supporter les charges potentielles.
- L'ancre RA40 pour toitures doit être installée à au moins 2 pi (0,6 m) du bord du toit. N'utiliser que les clous fournis par le fabricant (clous 16d en acier galvanisé).

Fig. 5



## Installation

1. Choisir un endroit de montage approuvé qui respecte ou excède toutes les exigences d'installation.

Nota : Si l'installation se fait sur une toiture résidentielle existante comprenant des bardeaux d'asphalte, des bardeaux de fente ou de la tuile, on devra enlever un ou deux morceaux du faîtage pour installer l'ancrage RA40 pour toitures.

2. Se reporter à la Fig. 5 pour connaître la bonne technique d'installation.
3. Placer et centrer l'ancrage RA40 par-dessus le faîtage et installer l'ancre au moyen de huit (8) clous 16d. Pour s'assurer que chaque clou traverse les trous préforés et pénètre l'élément structural tel que requis, clouer dans un angle intérieur vers l'élément structural jusqu'à ce que la tête du clou soit à plat contre l'ancre.

**MISE EN GARDE : Utiliser les huit (8) clous 16d pour fixer l'ancrage RA40 pour toitures. Les huit clous doivent traverser le revêtement et passer dans une structure de support. Si l'on ne respecte pas cette mise en garde, le raccord d'ancrage se trouvera affaibli et de sérieuses blessures ou la mort pourraient s'ensuivre en cas de chute.**

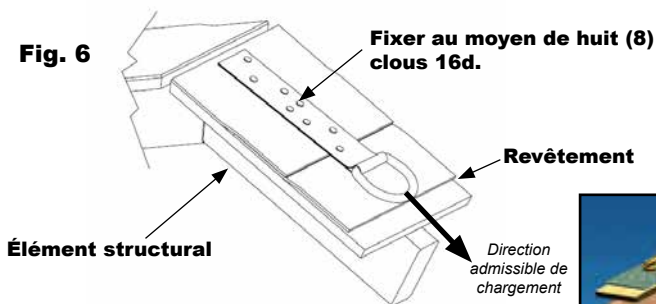
4. Pour plus de protection, on peut appliquer du calfeutrage aux têtes de clous avant de réinstaller le faîtage. Seul l'anneau en D de l'ancre devrait être exposé une fois l'installation terminée.

**MISE EN GARDE : Fixer à l'anneau en D uniquement au moyen d'une boucle à pression verrouillante, d'un mousqueton verrouillant ou d'un autre connecteur ou dispositif de raccordement Honeywell approuvé.**

## 3.2 Ancrage permanent RA41 pour toitures avec anneau simple en D

### Mises en garde et restrictions

- À utiliser par UNE seule personne. Capacité maximale : 310 lb (140,6 kg), y compris les poids du corps, des vêtements et des outils. – NE PAS EXCÉDER CE POIDS.
- Les points d'ancrage doivent pouvoir supporter 5 000 lb (22.2kN) dans la direction autorisée par le système pendant son utilisation (ou garantir un facteur de sécurité de 2 : 1).
- L'ancrage RA41 pour toitures est conçu pour être installé sur les toitures et structures comprenant des éléments et un revêtement en bois. Ne pas installer l'ancre à des pignons, fascias, inclinaisons, surplombs, cordes, colliers, sections doubles, ni à une charpente endommagée ou ne pouvant pas supporter les charges potentielles.
- L'ancre RA40 pour toitures doit être installée à au moins 2 pi (0,6 m) du bord du toit. N'utiliser que les clous fournis par le fabricant (clous 16d en acier galvanisé).





## Installation

1. Choisir un endroit de montage approuvé qui respecte ou excède toutes les exigences d'installation.

Nota : Si l'installation se fait sur une toiture résidentielle existante comprenant des bardeaux d'asphalte, des bardeaux de fente ou de la tuile, on devra enlever un ou deux morceaux du faitage pour installer l'ancrage RA41 pour toitures.

2. Se reporter à la Fig. 5 pour connaître la bonne technique d'installation.

3. Placer l'ancrage RA41 avec l'anneau en D sur l'extrémité inférieure et installer l'ancre au moyen de huit (8) clous 16d. Pour s'assurer que chaque clou traverse les trous préforés et pénètre l'élément structural tel que requis, clouer dans un angle intérieur vers l'élément structural jusqu'à ce que la tête du clou soit à plat contre l'ancre.

**MISE EN GARDE : Utiliser les huit (8) clous 16d pour fixer l'ancrage RA41 pour toitures. Les huit clous doivent traverser le revêtement et passer dans une structure de support. Si l'on ne respecte pas cette mise en garde, le raccord d'ancrage se trouvera affaibli et de sérieuses blessures ou la mort pourraient s'ensuivre en cas de chute.**

4. Pour plus de protection, on peut appliquer du calfeutrage aux têtes de clous avant de réinstaller le faitage. Seul l'anneau en D de l'ancre devrait être exposé une fois l'installation terminée.

**MISE EN GARDE : Fixer à l'anneau en D uniquement au moyen d'une boucle à pression verrouillante, d'un mousqueton verrouillant ou d'un autre connecteur ou dispositif de raccordement Honeywell approuvé.**



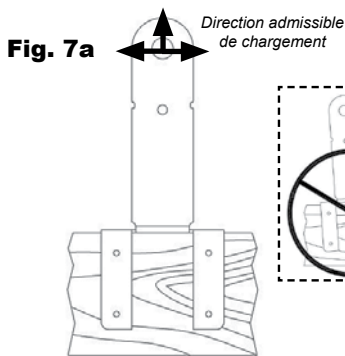
### Option d'installation

L'ancrage RA41 pour toitures peut aussi être installé verticalement sur un mur. L'anneau en D doit être situé sur l'extrémité inférieure de l'ancre installé.

## 3.3 Ancrage permanent RA45 à crochet pour toitures (Claw)

### Mises en garde et restrictions

- À utiliser par UNE seule personne. Capacité maximale : 310 lb (140,6 kg), y compris les poids du corps, des vêtements et des outils. – NE PAS EXCÉDER CE POIDS.
- Les points d'ancrage doivent pouvoir supporter 5 000 lb (22.2kN) dans la direction autorisée par le système pendant son utilisation (ou garantir un facteur de sécurité de 2 : 1).
- L'ancrage RA45 pour toitures est conçu pour être installé sur les toitures et structures comprenant des éléments et un revêtement en bois. Ne pas installer l'ancre à des pignons, fascias, inclinaisons, surplombs, cordes, colliers, sections doubles, ni à une charpente endommagée ou ne pouvant pas supporter les charges potentielles.
- L'ancre RA40 pour toitures doit être installée à au moins 2 pi (0,6 m) du bord du toit. N'utiliser que les clous fournis par le fabricant (clous galvanisés pour toitures de 1-1/2 po de long, de calibre 8-1/2).
- L'ancrage RA45 pour toitures est conçu pour convenir à des éléments structuraux de 2 x 4, 6, 8, etc., de haut ou plus.



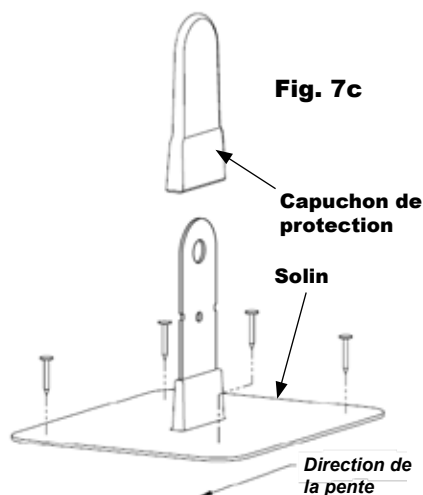
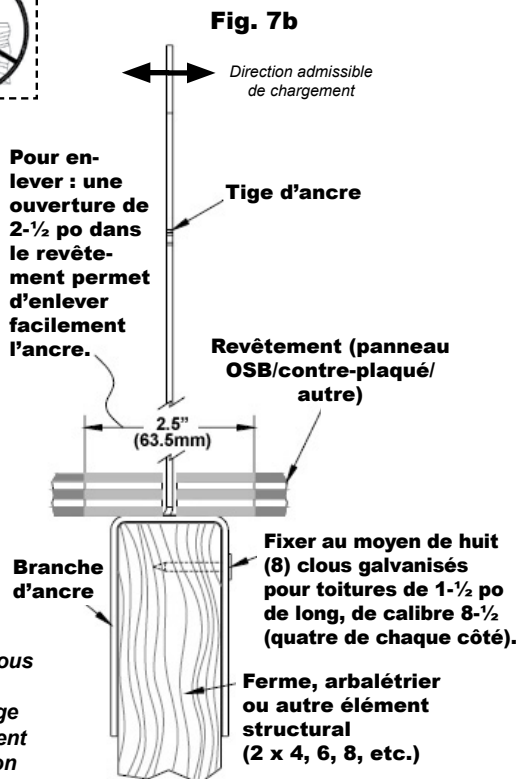
## Installation

1. Choisir un endroit de montage approuvé qui respecte ou excède toutes les exigences d'installation.
2. Se reporter à la Fig. 5 et 7b pour connaître la bonne technique d'installation.
3. Placer l'ancrage RA45 pour toitures par-dessus toute ferme tout arbalétrier ou autre élément structural de 2 x, en s'assurant que l'ancrage repose à plat sur le 2 x. Installer les huit (8) clous galvanisés pour toitures de 1-1/2 po de long, de calibre 8-1/2 (quatre de chaque côté) dans les trous préforés, pénétrant l'élément structural jusqu'à ce que la tête du clou soit à plat sur l'ancrage.

**MISE EN GARDE :** Utiliser les huit (8) clous galvanisés pour toitures de 1-1/2 po de long, de jauge de 8-1/2 pour fixer l'ancrage RA45 pour toitures. Les huit clous doivent pénétrer dans l'élément structural. Si l'on ne respecte pas cette mise en garde, le raccord d'ancrage se trouvera affaibli et de sérieuses blessures ou la mort pourraient s'ensuivre en cas de chute.

4. Installer le revêtement au-dessus de l'ancrage RA45 pour toitures.
5. Installation du solin : Poser le solin au moyen des clous fournis à 1 po de chaque extrémité, tel qu'illustré à la Fig. 7c. S'assurer que les bardeaux/la couverture couvrent le solin, une fois l'installation terminée. Placer le capuchon de protection sur la tige d'ancrage lorsque l'ancrage n'est pas en usage afin de le protéger, ainsi que la structure, des intempéries.

**MISE EN GARDE :** Le raccord à l'ancrage RA45 pour toitures ne doit se faire qu'au moyen d'un mousqueton verrouillant, d'une boucle à pression verrouillante ou d'un autre connecteur ou dispositif de raccordement Honeywell approuvé.





#### **Option d'installation**

L'ancrage RA45 pour toitures peut également être installé de côté pour un arbalétrier ou autre élément structural

## **4.0 Inspection et Entretien**

### **Inspection**

Les produits de la marque Miller sont conçus pour les conditions difficiles que l'on rencontre aujourd'hui. Ils doivent faire l'objet d'inspections fréquentes afin d'en prolonger la durée de vie et d'en conserver les performances. **L'utilisateur doit visuellement inspecter les produits décrits dans ce manuel avant chaque utilisation, et une personne qualifiée doit le faire régulièrement, au moins une fois par an. N'utilisez pas ces produits si vous détectez l'une des caractéristiques décrites ci-dessous.**

Vérifier le produit pour y détecter les anomalies suivantes : pièces pliées, craquelées, déformées, usées, endommagées ou fonctionnant mal; bords inégaux ou acérés; attaches lâches ou pièces/composantes manquantes; corrosion; détérioration; signes indiquant que le produit a été soumis à un arrêt de chute; ou toute autre indication d'avarie ou de problèmes susceptibles d'influer sur l'intégrité et le fonctionnement du produit. En cas de doute, communiquer avec le fabricant.

**Les dispositifs qui ne sont pas acceptés à l'inspection ou qui ont été soumis à des forces d'arrêt de chute doivent être retirés du service.**

### **Nettoyage et Entreposage**

En apportant un soin élémentaire à l'équipement de protection antichute Miller, on prolongera la durée utile de l'élément et en assurera l'efficacité. Nettoyer périodiquement le dispositif pour le débarrasser de toute saleté, peinture, éléments corrosifs, contaminants ou autre matière pouvant s'y être accumulés. Lorsqu'il n'est pas en usage, le remettre dans un endroit propre, sec, et non exposé aux émanations ou éléments corrosifs.

### **Entretien**

Les réparations doivent être effectuées uniquement par Honeywell Safety Products, ou par des personnes ou entités autorisées par écrit par Honeywell. On doit tenir un registre de toutes les dates d'entretien et d'inspection pour ce dispositif. Seules les pièces de rechange Miller d'origine sont approuvées pour être utilisées dans ce dispositif. Les dispositifs non réparables qui échouent à l'inspection doivent être éliminés pour éviter qu'on ne les utilise ultérieurement par inadvertance. Si vous avez des questions, communiquez avec les services techniques Honeywell, au 1-800-873-5242.

## Gracias

Gracias por comprar el equipo de protección contra caídas Miller fabricado por Honeywell Safety Products. Los productos de la marca Miller son manufacturados para cumplir con las más altas normas de calidad en nuestra fábrica, la cual posee la certificación ISO 9001. Cuidados como es debido, los equipos anticaídas Miller le servirán muchos años.

### **ADVERTENCIA**

**Toda persona que use este equipo debe leer, comprender y seguir cabalmente todas las instrucciones. No hacerlo podría tener como consecuencia lesiones graves o mortales. No use este equipo si no ha sido debidamente entrenado.**

## ¿Consultas?

LLAMAR AL  
1.800.873.5242

Es fundamental que la persona o usuario autorizado de este equipo anticaídas lea y comprenda las presentes instrucciones. Además, la ley federal requiere que los empleadores se aseguren de que todos los usuarios reciban capacitación en instalación, uso, inspección y mantenimiento apropiados para el equipo de protección contra caídas. La capacitación anticaídas debe ser parte integral de un programa completo de seguridad.

La utilización correcta de los sistemas de detención de caídas puede salvar vidas y disminuir las posibilidades de lesiones graves en caso de una caída. Los usuarios deben estar conscientes de que las fuerzas ejercidas para detener una caída o durante una suspensión prolongada pueden causar lesiones. Consulte a un médico en caso de duda sobre la capacidad del usuario para emplear este producto. Las mujeres embarazadas y los niños no deben usar este producto.

## 1.0 Requisitos Generales, Advertencias y Limitaciones

Deben suministrarse a las personas y usuarios autorizados todas las advertencias e instrucciones.

Todas las personas y usuarios autorizados deben consultar los reglamentos de seguridad laboral y las normas ANSI o CSA que correspondan. Las etiquetas del producto contienen información sobre los reglamentos OSHA y las normas ANSI y CSA que cumple el producto.

Siempre deben tomarse las debidas precauciones al retirar del área de trabajo obstrucciones, basura, material y otros peligros reconocidos que pudieran causar lesiones o interferir en el funcionamiento del sistema.

Todo el equipo debe ser inspeccionado visualmente antes de cada uso de conformidad con las instrucciones del fabricante.

Todo el equipo debe ser inspeccionado con regularidad por una persona calificada.

A fin de reducir al mínimo las posibilidades de un desenganche accidental, una persona competente debe garantizar la compatibilidad del sistema.

El equipo no debe ser alterado de ninguna forma. Las reparaciones deben ser efectuadas exclusivamente por el fabricante del equipo o bien por personas o entidades autorizadas por escrito por el fabricante.

Todo producto con deformidades, desgaste anormal o deterioro debe ser desechado de inmediato.

Todo equipo sometido a una caída debe ser puesto fuera de servicio.

El usuario debe contar con un plan y medios de rescate a mano para poder aplicarlos al usar este equipo.

Jamás lo utilice para fines distintos al proyectado. No use jamás el equipo para remolcar o izar objetos.

No debe exponerse el equipo a peligros ambientales ni a sustancias químicas que puedan producir un efecto perjudicial.

No permita que la cuerda o el tejido entren en contacto con cualquier cosa que pueda dañarlos, como superficies afiladas, abrasivas, ásperas o a alta temperatura, soldadura, fuentes de calor, peligros eléctricos o maquinaria en movimiento.

El uso en un ambiente altamente corrosivo o cáustico dicta un programa más frecuente de la inspección y del mantenimiento para asegurarse de que la integridad del sistema está mantenida.

No exponga el equipo a ningún peligro que no pueda soportar según su diseño de fabricación. En caso de duda consulte al fabricante.




Siempre revise para ver si hay obstrucciones abajo del área de trabajo con el fin de asegurarse de que esté despejada la trayectoria de una posible caída.

Deje una distancia segura de caída adecuada abajo de la superficie de trabajo.

Nunca desprenda etiquetas de los productos, las cuales pueden incluir importantes advertencias e información para la persona o usuario autorizado.

## 2.0 Anclas PERMANENTES para techos

Las anclas permanentes Miller para techos son conectores de anclaje diseñados para aplicaciones de construcción en techado habitacional y comercial y son para usarse con los sistemas completos de techos Miller.

Permanent Roof Anchors		
Foto del producto	Núm. de modelo	Descripción
	RA40	Ancla para techos permanente de acero inoxidable con doble argolla "D" Incluye ocho (8) clavos 16d Materiales: Acero inoxidable, acero Peso: 1.5 lbs. (0.68kg)
	RA41	Ancla para techos permanente de acero inoxidable con una argolla "D" Incluye ocho (8) clavos 16d Materiales: Acero inoxidable, acero Peso: 1.5 lbs. (0.68kg)
	RA45	Ancla para techos permanente de acero inoxidable con garra (Claw) Incluye diez (10) clavos galv. para techar de calibre 8½ y 38 mm (1½") de long, tapajuntas (con cuatro clavos galv. para techar de calibre 11 y 31.8 mm [1¼" de long.]) y tapa protectora Materiales: Acero inoxidable tipo #304, Santoprene, Plastisol Peso: 1.38 lbs. (0.63kg)

## 3.0 Instalación

### **Advertencias sobre la instalación, limitaciones y requisitos para anclas para techos**

Antes de instalar cualquier anclaje para techos o sistema de techado, inspecciónelo cuidadosamente para asegurarse de que se encuentre en condiciones de ser usado. Verifique que no haya piezas faltantes o deterioradas. No use este producto si cualquier componente no funciona correctamente o parece estar dañado de cualquier forma. Consulte la sección sobre inspección de este manual.

Sólo personal entrenado y competente debe instalar y utilizar este equipo.

El ancla y el sistema deben instalarse y usarse de tal manera que se reduzca al mínimo la posibilidad de una caída columpiada y se limite la distancia de caída libre a 1.8 m (6 pies) o menos.

Asegúrese de que el punto de anclaje elegido se encuentre a una altura tal que, en caso de una caída, no haga impacto en un nivel inferior. Para garantizar una distancia segura de caída considere lo siguiente:

- Los sujetacuerdas tienen una distancia máxima de detención de caída de 1.0 m (39 pulg).
- Las cuerdas salvavidas de cuerda sintética pueden estirarse hasta un 5%. Para las cuerdas salvavidas de cuerda sintética, agregue 0.3 m (1 pie) de distancia segura de caída por cada 6 m (20 pies) de cuerda arriba del punto de conexión.
- Siempre recuerde que los amortiguadores de impacto se estiran al ser sometidos a las fuerzas de detención de caída. Consulte las etiquetas del dispositivo de conexión para obtener la distancia máxima de estiramiento.
- Además de lo anterior, es vital considerar otros componentes y variables, como la altura del trabajador al nivel de la argolla "D" posterior que porta, la longitud de la línea de vida, la posición del trabajador en relación con el anclaje y el posible estiramiento hasta del arnés.
- Honeywell Safety Products recomienda agregar un factor de seguridad de 0.9 m (3 pies) en todos los cálculos de la distancia segura de caída.
- Llame al Depto. de Servicio Técnico de Honeywell si tiene alguna pregunta sobre el cálculo de la distancia segura de caída.

Los sistemas para detención de caídas deben equiparse de conformidad con los requisitos regulatorios. [Es preciso leer, comprender y seguir las instrucciones y advertencias suministradas con el sistema personal para detención de caídas.]

Los productos anticaídas Miller están fabricados para usarse con componentes aprobados por dicha compañía. La sustitución o reemplazo de dichos componentes con combinaciones no aprobadas de componentes o subsistemas, puede afectar o interferir en el funcionamiento seguro de cada componente y poner en peligro la compatibilidad dentro del sistema. Esta incompatibilidad puede afectar la fiabilidad y seguridad del sistema total.

Asegúrese de que todas las conexiones del sistema para detención de caídas sean compatibles.

Sólo utilice mosquetones aseguradores, ganchos aseguradores de resorte u otros conectores o dispositivos de conexión aprobados por Honeywell para unirlos a este equipo.

El conector de anclaje debe ser compatible con el gancho de resorte o con el mosquetón del dispositivo de conexión, y no debe aplicar ninguna carga en el retén o linguete. Jamás use un conector de anclaje que impida el cierre del gancho de resorte o del retén o linguete del mosquetón.

Las anclas para techos y juegos de sistemas de techado Miller son SOLAMENTE PARA UNA PERSONA.

Nunca trabaje arriba del ancla para techos (es decir, nivel más alto, viga maestra, estructura más alta del techo, etc.)

La estructura a la que se fije esta ancla y este sistema debe ser capaz de soportar 22.2 kN (5,000 lb) de carga de tracción u ofrecer un factor de seguridad de 2:1 en la dirección del tirón.

Todas las anclas para techos, cuando se instalan de conformidad con las instrucciones de Honeywell como parte de un sistema para detención de caídas personal Honeywell, cumplen el requisito con respecto a la resistencia de anclajes estipulado por OSHA de mantener un factor de seguridad de dos por lo menos.

**Los requisitos para el anclaje basados en las normas ANSI Z359.1 son como sigue:**

- Para los sistemas de detención de caídas, los anclajes deben poder soportar una carga estática de 5,000 lb (22.2 kN) en el caso anclajes no certificados o dos veces la fuerza de detención máxima en el caso de anclajes certificados.
- Para los sistemas de detención de posicionamiento, los anclajes deben poder soportar una carga estática de 3,000 lb (13.3 kN) en el caso anclajes no certificados o dos veces la fuerza previsible en el caso de anclajes certificados.
- Para limitación de desplazamiento, los anclajes deben poder soportar una carga estática de 1,000 lb (4.5 kN) en el caso anclajes no certificados o dos veces la fuerza previsible en el caso de anclajes certificados.
- Cuando se sujeta más de un sistema personal de detención de caídas a un anclaje, se deben multiplicar las fuerzas de anclaje indicadas arriba por el número de sistemas sujetos a dicho anclaje.

Antes de la instalación y antes de cada uso inspeccione la estructura y los miembros del techo (es decir, pies derechos, viguetas, cabios, armaduras, etc.) donde el ancla está instalada o será instalada para ver si hay madera deteriorada, putrefacción, desintegración, defectos o cualquier otra condición dudosa. Asegúrese de que la estructura de soporte esté en condiciones de soportar las cargas anticipadas creadas en la detención de una caída. Antes de usar cualquier sistema de protección anticaídas para techado, asegúrese de que el ancla esté instalada debidamente y de manera segura con el número requerido de fijadores.

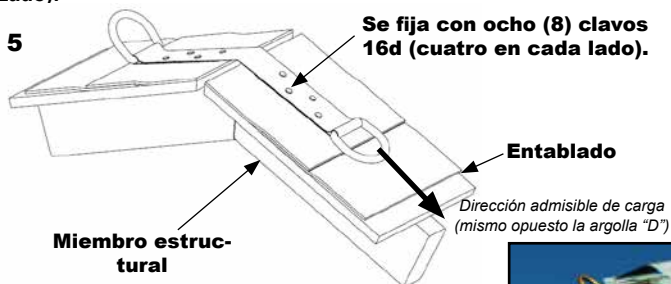
Todas las anclas para techos cumplen las normas OSHA. Para verificar las normas ANSI y CSA que cumple el producto, consulte las etiquetas del mismo.

### 3.1 RA40 – Ancla permanente para techos con doble argolla “D”

#### Advertencias y limitaciones

- Para UNA sola persona únicamente. La capacidad máxima es 140.6kg (310 lb), incluyendo el peso del cuerpo, de la ropa y de las herramientas. — NO EXCEDA ESTE PESO.
- Los puntos de anclaje deben ser capaces de soportar 22.2kN (5,000 lb) en la dirección permitida por el sistema mientras se tiene en uso (u ofrecer un factor de seguridad de 2:1).
- El ancla para techos RA40 es para instalarse en techos y estructuras hechos de miembros estructurales y entablado de madera. No instale el ancla en extremos de techos a dos aguas, tablas de frontis, extremos de pendientes, salientes, tablas de cerchas, secciones empalmadas, estructuras dañadas o incapaces de tolerar las cargas posibles.
- El ancla para techos RA40 debe instalarse por lo menos a 0.6 m (2 pies) del borde del techo. Solamente use los clavos suministrados por el fabricante (clavos 16d de acero galvanizado).

Fig. 5



## Instalación

1. Escoja un lugar de instalación aprobado que cumpla o supere los requisitos de instalación.

Nota: Si la instalación va a realizarse en un techo residencial de tablillas de asfalto, duelas o tejas planas, será necesario quitar una o dos piezas de la cumbrera para instalar el ancla para techos RA40.

2. Para ver la disposición correcta, ver fig. 5.
3. Coloque y centre el ancla para techos RA40 sobre la cumbrera e instálela con ocho (8) clavos 16d. Para asegurarse de que cada clavo pase a través de los agujeros y penetre en los miembros estructurales como se requiere, clávelo a un ángulo interior hacia el miembro estructural hasta que quede a ras sobre el ancla.

**ADVERTENCIA: Use todos los ocho (8) clavos 16d para fijar el ancla para techos RA40. Todos los ocho clavos deben atravesar el entablado y penetrar en la estructura de soporte. Si no se sigue esta advertencia, la conexión de anclaje estará debilitada y podría ocurrir una lesión seria o la muerte en caso de una caída.**

4. Para mayor protección puede aplicarse masilla a las cabezas de los clavos antes de volver a instalar las piezas de la cumbrera. Una vez terminada la instalación, sólo debe quedar expuesta la argolla "D".

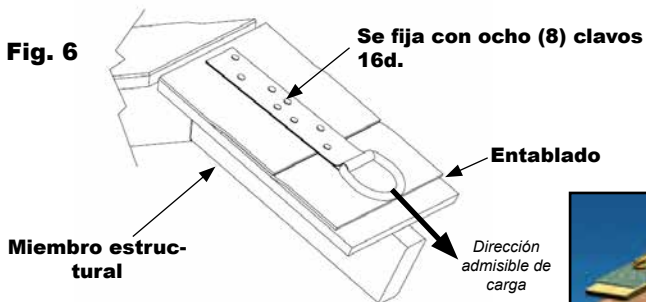
**ADVERTENCIA: La conexión a la argolla "D" debe efectuarse sólo con un gancho asegurador de resorte, un mosquetón asegurador u otro conector o dispositivo de conexión aprobado por Honeywell.**

## 3.2 RA41 – Ancla permanente para techos de una argolla "D"

### Advertencias y limitaciones

- Para UNA sola persona únicamente. La capacidad máxima es 140.6kg (310 lb), incluyendo el peso del cuerpo, de la ropa y de las herramientas. — NO EXCEDA ESTE PESO.
- Los puntos de anclaje deben ser capaces de soportar 22.2kN (5,000 lb) en la dirección permitida por el sistema mientras se tiene en uso (u ofrecer un factor de seguridad de 2:1).
- El ancla para techos RA41 es para instalarse en techos y estructuras hechos de miembros estructurales y entablado de madera. No instale el ancla en extremos de techos a dos aguas, tablas de frontis, extremos de pendientes, salientes, tablas de cerchas, secciones empalmadas, estructuras dañadas o incapaces de tolerar las cargas posibles.
- El ancla para techos RA41 debe instalarse por lo menos a 0.6 m (2 pies) del borde del techo. Solamente use los clavos suministrados por el fabricante (clavos 16d de acero galvanizado).

Fig. 6





## Instalación

1. Escoja un lugar de instalación aprobado que cumpla o supere los requisitos de instalación.

Nota: Si la instalación va a realizarse en un techo residencial de tabillas de asfalto, duelas o tejas planas, será necesario quitar una o dos piezas de la cumbre para instalar el ancla para techos RA41.

2. Para ver la disposición correcta, ver fig. 6.
3. Colocar el ancla para techos RA41 con el argolla "D" en el extremo inferior e instálela con ocho (8) clavos 16d. Para asegurarse de que cada clavo pase a través de los agujeros y penetre en los miembros estructurales como se requiere, clávelo a un ángulo interior hacia el miembro estructural hasta que quede a ras sobre el ancla.

**ADVERTENCIA: Use todos los ocho (8) clavos 16d para fijar el ancla para techos RA41. Todos los ocho clavos deben atravesar el entablado y penetrar en la estructura de soporte. Si no se sigue esta advertencia, la conexión de anclaje estará debilitada y podría ocurrir una lesión seria o la muerte en caso de una caída.**

4. Para mayor protección puede aplicarse masilla a las cabezas de los clavos antes de volver a instalar las piezas de la cumbre. Una vez terminada la instalación, sólo debe quedar expuesta la argolla "D".

**ADVERTENCIA: La conexión a la argolla "D" debe efectuarse sólo con un gancho asegurador de resorte, un mosquetón asegurador u otro conector o dispositivo de conexión aprobado por Honeywell.**



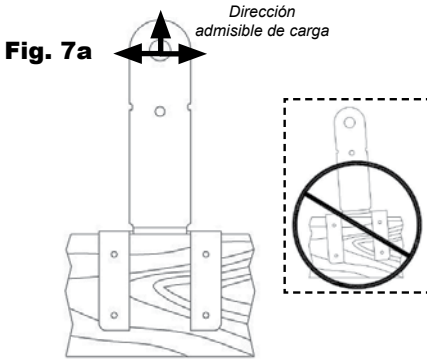
### Opción de instalación

El ancla para techos RA41 también puede instalarse verticalmente en una pared. La argolla "D" debe quedar ubicada en el extremo inferior del ancla.

## 3.3 RA45 – Ancla permanente con garra para techos (Claw)

### Advertencias y limitaciones

- Para UNA sola persona únicamente. La capacidad máxima es 140.6kg (310 lb), incluyendo el peso del cuerpo, de la ropa y de las herramientas. — NO EXCEDA ESTE PESO.
- Los puntos de anclaje deben ser capaces de soportar 22.2kN (5,000 lb) en la dirección permitida por el sistema mientras se tiene en uso (u ofrecer un factor de seguridad de 2:1).
- El ancla para techos RA45 es para instalarse en techos y estructuras hechos de miembros estructurales y entablado de madera. No instale el ancla en extremos de techos a dos aguas, tablas de frontis, extremos de pendientes, salientes, tablas de cerchas, secciones empalmadas, estructuras dañadas o incapaces de tolerar las cargas posibles.
- El ancla para techos RA40 debe instalarse por lo menos a 0.6 m (2 pies) del borde del techo. Solamente use los clavos suministrados por el fabricante (clavos galvanizados para techar de calibre 8½ y 38 mm (1½") de long).
- El ancla para techos RA45 está diseñada para miembros estructurales de 2 x 4, 6, 8, etc., de altura o más.



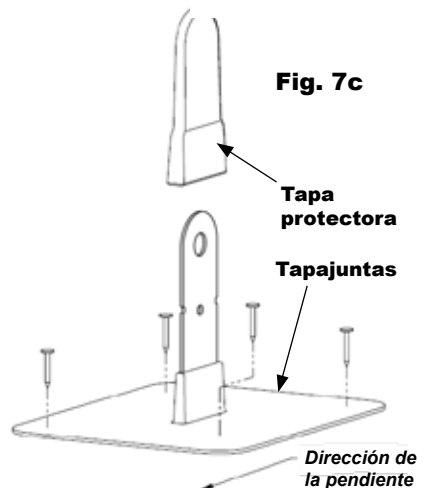
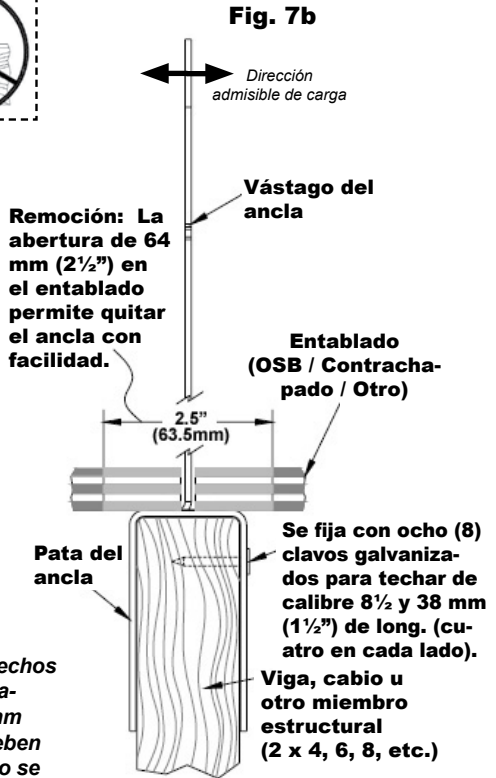
### Instalación

1. Escoja un lugar de instalación aprobado que cumpla o supere los requisitos de instalación.
2. Para ver la disposición correcta, ver fig. 7a y 7b.
3. Coloque el ancla para techos RA45 en cualquier viga 2" de espesor, cablo u otro miembro estructural asegurándose de que el ancla descansa sobre la dimensión de 2". Instale los ocho (8) clavos galvanizados para techar de calibre 8½ y 38 mm (1½") de long. (cuatro en cada lado) en los agujeros, penetrando el miembro estructural hasta que la cabeza del clavo quede a ras en el ancla.

**ADVERTENCIA:** Para fijar el ancla para techos RA45 use todos los ocho (8) clavos galvanizados para techar de calibre 8½ y 38 mm (1½") de long. Todos los ocho clavos deben penetrar en el miembro estructural. Si no se sigue esta advertencia, la conexión de anclaje estará debilitada y podría ocurrir una lesión seria o la muerte en caso de una caída.

4. Instale el entablado sobre el ancla para techos RA45.
5. Instalación del tapajuntas: Instale el tapajuntas con los clavos de 25 mm (1") suministrados, desde cada extremo, como se muestra en la fig. 7c. Asegúrese de que las tablillas (o cualquier otro material de techado) cubra el tapajuntas una vez terminado el trabajo. Coloque a presión la tapa protectora en el vástago del ancla cuando no esté usándose ésta a fin de proteger de los elementos la misma y la estructura.

**ADVERTENCIA:** La conexión al ancla RA45 debe efectuarse sólo con un mosquetón asegurador, un gancho asegurador de resorte u otro conector o dispositivo de conexión aprobado por Honeywell.





#### **Opción de instalación**

El ancla para techos RA45 también puede instalarse boca abajo o de lado a una viga de madera u otro miembro estructural.

## **4.0 Inspección y Mantenimiento**

### **Inspección**

Productos de la marca de Miller están diseñados para los rigurosos entornos de trabajo de la actualidad. Para mantener su vida de servicio y alto rendimiento, productos deben ser inspeccionados con frecuencia. **Los dispositivos incluidos en este manual deben ser inspeccionados visualmente por el usuario antes de cada uso y inspeccionados por una persona competente sobre una base regular, por lo menos anualmente. No utilizar si se detecta cualquiera de las siguientes condiciones.**

Inspeccione el producto para ver si tiene cualquiera de los siguientes defectos: está doblado, agrietado, distorsionado, desgastado, funciona mal o tiene partes dañadas; bordes ásperos o cortantes; elementos de unión sueltos o partes o componentes faltantes; corrosión; deterioro; señales de que el producto ha sido sujeto a una detención de caída; o cualquier otra indicación de daños o problemas que puedan afectar la integridad y desempeño del producto. Si tiene dudas comuníquese con el fabricante.

**Los dispositivos que no pasen la inspección o hayan sido sometidos a fuerzas de detención de caída deben retirarse del servicio.**

### **Limpieza y Almacenamiento**

Con un cuidado básico de todo el equipo anticaídas Miller se prolonga la vida de servicio de la unidad y se contribuye al correcto desempeño de su vital función de seguridad. Limpie periódicamente el producto para eliminar toda suciedad, pintura, corrosivos, contaminantes y otros materiales que puedan haberse acumulado. Cuando no se tenga en uso, guarde el producto en un área limpia, seca y carente de exposición a emanaciones y agentes corrosivos.

### **Servicio**

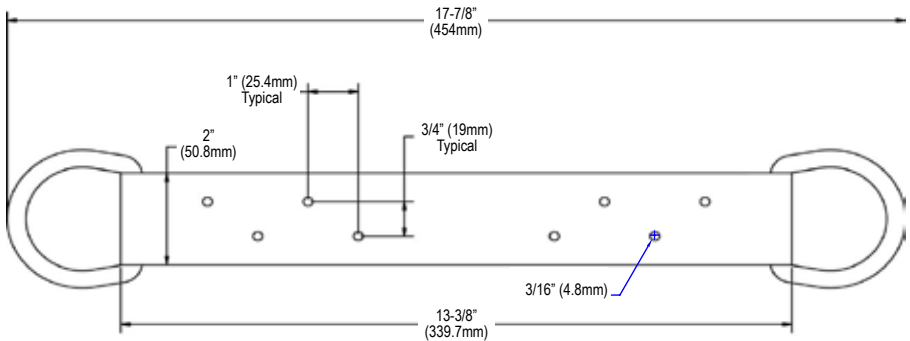
Las reparaciones deben ser efectuadas exclusivamente por Honeywell Safety Products o bien por personas o entidades autorizadas por escrito por Honeywell. Debe llevarse un registro con todas las fechas de servicio e inspecciones realizados al dispositivo. Sólo las piezas de repuesto originales de Miller se aprueban para ser usadas en este dispositivo. Aquellos dispositivos no reparables que no pasen la inspección deben desecharse de tal manera que se prevenga su posterior uso por accidente. Si tiene preguntas comuníquese con el Depto. de Servicios Técnicos de Honeywell, llamando al 1-800-873-5242.

# Product Dimensions

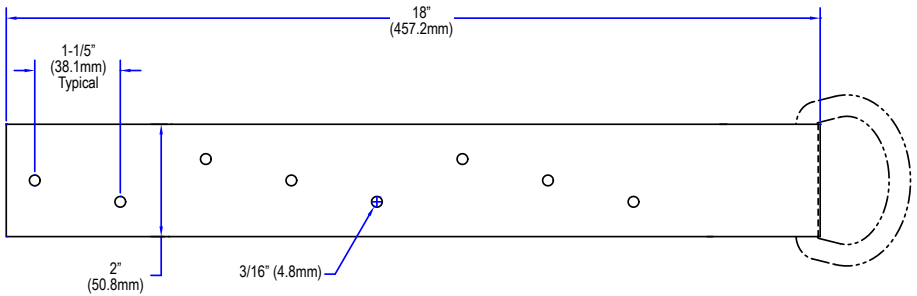
## Dimensions de Produit

## Dimensiones del Producto

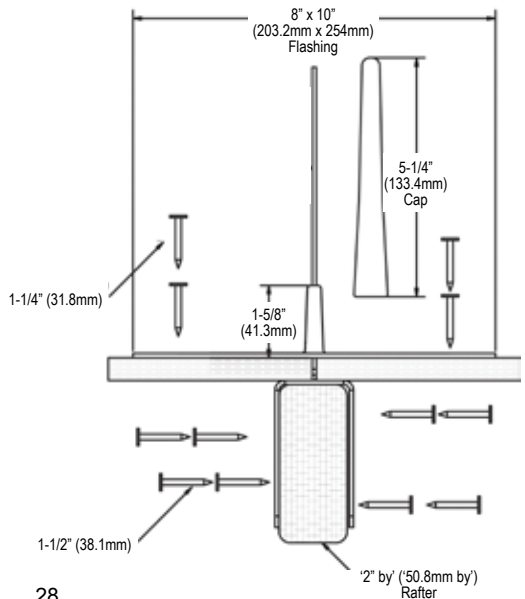
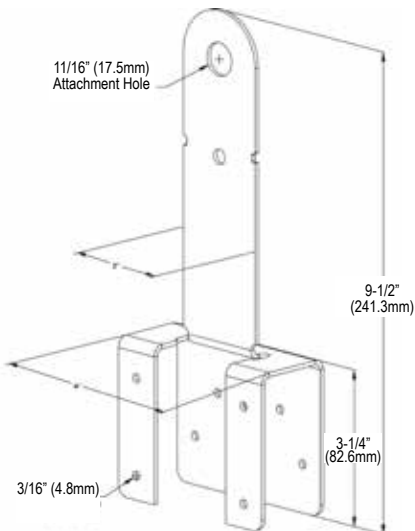
### RA40



### RA41



### RA45



**Notes**  
**Remarques**  
**Notas**

# Inspection and Maintenance Log

## Registre D'inspection et D'entretien

## Registro de Inspección y Mantenimiento

**DATE OF MANUFACTURE:** \_\_\_\_\_  
 DATE DE FABRICATION / FECHA DE FABRICACIÓN

**MODELNUMBER:** \_\_\_\_\_  
 NUMÉRO DE MODÈLE / NÚM. DE MODELO

**DATE PURCHASED:** \_\_\_\_\_  
 DATE D'ACHAT / FECHA DE COMPRA

<b>INSPECTION DATE</b> DATE D'INSPECTION FECHA DE INSPECCIÓN	<b>INSPECTION ITEMS NOTED</b> POINTS NOTÉS LORS DE L'INSPECTION PUNTOS DE INSPECCIÓN RELEVANTES	<b>CORRECTIVE ACTION</b> ACTION CORRECTIVE MEDIDA CORRECTIVA	<b>MAINTENANCE PERFORMED</b> ENTRETIEN EFFECTUÉ MANTENIMIENTO REALIZADO
Approved by: Approuvé par: Aprobado por:			
Approved by: Approuvé par: Aprobado por:			
Approved by: Approuvé par: Aprobado por:			
Approved by: Approuvé par: Aprobado por:			
Approved by: Approuvé par: Aprobado por:			
Approved by: Approuvé par: Aprobado por:			
Approved by: Approuvé par: Aprobado por:			
Approved by: Approuvé par: Aprobado por:			
Approved by: Approuvé par: Aprobado por:			
Approved by: Approuvé par: Aprobado por:			
Approved by: Approuvé par: Aprobado por:			
Approved by: Approuvé par: Aprobado por:			
Approved by: Approuvé par: Aprobado por:			
Approved by: Approuvé par: Aprobado por:			
Approved by: Approuvé par: Aprobado por:			
Approved by: Approuvé par: Aprobado por:			
Approved by: Approuvé par: Aprobado por:			
Approved by: Approuvé par: Aprobado por:			
Approved by: Approuvé par: Aprobado por:			
Approved by: Approuvé par: Aprobado por:			
Approved by: Approuvé par: Aprobado por:			
Approved by: Approuvé par: Aprobado por:			
Approved by: Approuvé par: Aprobado por:			



## **MILLER® FALL PROTECTION PRODUCTS TOTAL SATISFACTION ASSURANCE**

At Honeywell Safety Products and its predecessors, we have been providing quality Miller brand fall protection equipment to millions of workers worldwide since 1945.

### **LIMITED LIFETIME WARRANTY BACKED BY OVER 65 YEARS IN THE FALL PROTECTION BUSINESS**

We sincerely believe that our fall protection equipment is the best in the world. Our products endure rigorous tests to ensure that the fall protection equipment you trust is manufactured to the highest standards. Miller fall protection products are tested to withstand normal wear and tear, but are not indestructible and can be damaged by misuse.

Our Limited Lifetime Warranty does not apply to normal wear and tear or abusive treatment of the product.

In the unlikely event that you should discover defects in either workmanship or materials, under our Limited Lifetime Warranty, we will repair or replace the product at our expense. If a replacement is necessary and your product is no longer available, a comparable product will be substituted. Should a product issue surface, contact us at 800.873.5242.

Manufacturing specifications are subject to change without notice.

---

## **PRODUITS MILLER® FALL PROTECTION ASSURANCE DE SATISFACTION TOTALE**

Honeywell Safety Products et ses prédécesseurs offrent les équipements antichute de marque Miller de qualité à des millions de travailleurs dans le monde entier depuis 1945.

### **GARANTIE LIMITÉE À VIE ASSURÉE GRÂCE À PLUS DE 65 ANS PASSÉS DANS LE DOMAINE DE LA PROTECTION CONTRE LES CHUTES**

Nous croyons sincèrement que notre équipement de protection contre les chutes est le meilleur au monde. Nos produits sont soumis à des tests rigoureux, afin d'assurer que les équipements de protection contre les chutes dans lesquels vous avez confiance sont fabriqués selon les normes les plus exigeantes. Les produits de protection contre les chutes Miller sont soumis à des essais pour vérifier qu'ils résistent à une usure normale; ils ne sont cependant pas indestructibles et peuvent s'endommager en cas de mauvaise utilisation. Notre garantie limitée à vie ne s'applique pas à l'usure normale ou à un usage abusif du produit.

Dans le cas peu probable où vous découvririez des défauts, soit de fabrication, soit de matériau, dans le cadre de notre garantie à vie, nous réparerons ou remplacerons le produit à nos frais. En cas de remplacement, si votre produit n'est plus offert, vous recevrez un produit comparable. En cas de problème sur un produit, nous contacter au 800-873-5242.

Les caractéristiques de fabrication peuvent être modifiées sans préavis.

---

## **PRODUCTOS ANTICAÍDAS MILLER® GARANTÍA DE SATISFACCIÓN TOTAL**

En Honeywell Safety Products y sus predecesores, hemos estado brindando la calidad de la marca Miller en equipos de protección de caída a millones de trabajadores alrededor del mundo desde 1945.

### **GARANTÍA LIMITADA DE POR VIDA NOS RESPALDAN MÁS DE 65 AÑOS EN LA FABRICACIÓN DE EQUIPO ANTICAÍDAS**

Sinceramente creemos que su equipo de protección contra caídas es el mejor del mundo. Nuestros productos resisten rigurosas pruebas para garantizar que el equipo de protección contra caídas en el que usted confía está fabricado de conformidad con las normas más elevadas. Los productos anticaídas Miller son sometidos a pruebas para que resistan el desgaste normal, pero no son indestructibles y su incorrecta utilización puede dañarlos.

Nuestra Garantía limitada de por vida no se aplica al desgaste normal ni al maltrato del producto.

En el poco probable caso de que usted descubriera defectos de mano de obra o materiales, por nuestra Garantía limitada de por vida, repararemos o sustituiremos el producto por cuenta nuestra. Si un reemplazo es necesario y nuestro producto ya no está disponible, se lo sustituiremos por otro comparable.

En caso de que surja un problema con el producto, contáctenos al 800.873.5242.

Las especificaciones de fabricación están sujetas a modificaciones sin previo aviso.



by Honeywell

**Toll Free: 800.873.5242**

**Fax: 800.892.4078**

Download this manual at: [www.millerfallprotection.com](http://www.millerfallprotection.com)  
Téléchargez ce manuel à l'adresse: [www.millerfallprotection.com](http://www.millerfallprotection.com)  
Puede bajar por Internet este manual en: [www.millerfallprotection.com](http://www.millerfallprotection.com)

---

**Honeywell Safety Products**

P.O. Box 271, 1345 15th Street  
Franklin, PA 16323 USA