

MILLER®

by Honeywell



D-Ring & D-Bolt Anchors

User Instruction Manual

Manuel D'utilisation / Manual de Instrucciones para El Usuario

Table of Contents

1.0 General Requirements, Warnings and Limitations.....	3-4
2.0 System Compatibility.....	4
2.1 Miller Fall Protection Product Groups	
3.0 Anchorage Connector Installation.....	5-13
3.1 Mounted D-Ring Anchor (410)	
3.2 D-Bolt Anchors (415, 416/417, 416SS/417SS, 418/419, 418SS/419SS)	
3.3 Concrete D-Bolt Anchor (417C)	
4.0 Inspection and Maintenance.....	14
Product Labels.....	39
Inspection and Maintenance Log.....	40

Table des Matières

1.0 Exigences Générales, Avertissements et Limitations.....	15-16
2.0 Compatibilité du Système.....	16
2.1 Groupes de Produits Miller Fall Protection	
3.0 Installation des Connecteurs D'ancrage.....	17-25
3.1 Ancrage à anneau en D (410)	
3.2 Ancrage à boulon en D (415, 416/417, 416SS/417SS, 418/419, 418SS/419SS)	
3.3 Ancrage à boulon en D pour béton (417C)	
4.0 Inspection et Entretien.....	26
Étiquettes de Produit.....	39
Registre D'inspection et D'entretien.....	40

Índice

1.0 Requisitos Generales, Advertencias y Limitaciones.....	27-28
2.0 Compatibilidad del Sistema.....	28
2.1 Grupos de Productos Anticaídas Miller	
3.0 Instalación de los Conectores de Anclaje.....	29-37
3.1 Ancla de argolla "D" montada (410)	
3.2 Ancla "D" de perno (415, 416/417, 416SS/417SS, 418/419, 418SS/419SS)	
3.3 Ancla "D" de perno (417C)	
4.0 Inspección y Mantenimiento.....	38
Etiquetas del Producto.....	39
Registro de Inspección y Mantenimiento.....	40

Thank You

Thank you for your purchase of Miller Fall Protection equipment. Miller brand products are produced to meet the highest standards of quality at our ISO 9001 certified facility. Miller Fall Protection equipment will provide you with years of use when cared for properly.

WARNING

All persons using this equipment must read, understand and follow all instructions. Failure to do so may result in serious injury or death. Do not use this equipment unless you are properly trained.

Questions?

CALL
1.800.873.5242

It is crucial that the authorized person/user of this fall protection equipment read and understand these instructions. In addition, it is the employer's responsibility to ensure that all users are trained in the proper use, inspection, and maintenance of fall protection equipment. Fall protection training should be an integral part of a comprehensive safety program.

Proper use of fall arrest systems can save lives and reduce the potential of serious injuries from a fall. The user must be aware that forces experienced during the arrest of a fall or prolonged suspension may cause bodily injury. Consult a physician if there is any question about the user's ability to use this product. Pregnant women and minors must not use this product.

1.0 General Requirements, Warnings and Limitations

All warnings and instructions shall be provided to authorized persons/users.

All authorized persons/users must reference the regulations governing occupational safety, as well as applicable ANSI or CSA standards. Please refer to product labeling for information on specific OSHA regulations, and ANSI and CSA standards met by product.

Proper precautions should always be taken to remove any obstructions, debris, material, or other recognized hazards from the work area that could cause injuries or interfere with the operation of the system.

All equipment must be inspected before each use according to the manufacturer's instructions.

All equipment should be inspected by a qualified person on a regular basis.

To minimize the potential for accidental disengagement, a competent person must ensure system compatibility.

Equipment must not be altered in any way. Repairs must be performed only by the manufacturer, or persons or entities authorized in writing by the manufacturer.

Any product exhibiting deformities, unusual wear, or deterioration must be immediately discarded.

Any equipment subject to a fall must be removed from service.

The authorized person/user shall have a rescue plan and the means at hand to implement it when using this equipment.

Never use fall protection equipment for purposes other than those for which it was designed. Fall protection equipment should never be used for towing or hoisting.

Equipment must not be exposed to environmental hazards and chemicals which may produce a harmful effect.

Use in a corrosive or caustic environment dictates a more frequent inspection and servicing program to ensure the integrity of the product is maintained.

Do not allow equipment to come in contact with anything that will damage it including, but not limited to, sharp, abrasive, rough or high-temperature surfaces, welding, heat sources, electrical hazards, or moving machinery.

Do not expose the equipment to any hazard which it is not designed to withstand. Consult the manufacturer in cases of doubt.

Always check for obstructions below the work area to make sure potential fall path is clear.

Allow adequate fall clearance below the work surface.

Never remove product labels, which include important warnings and information for the authorized person/user.

2.0 System Compatibility

All Miller fall protection products are designed for use with Miller approved components. Substitution or replacement with non-approved component combinations or subsystems or both may affect or interfere with the safe function of each other and endanger the compatibility within the system. This incompatibility may affect the reliability and safety of the total system.

2.1 Miller Fall Protection Product Groups

A comprehensive fall protection program must be viewed as a “total system” beginning with hazard identification and ending with ongoing management review. Miller Fall Protection views its products as a “system within a system.” Three key components of the “Miller System” need to be in place and properly used to provide maximum worker protection.

A. ANCHOR POINT/ANCHORAGE CONNECTOR

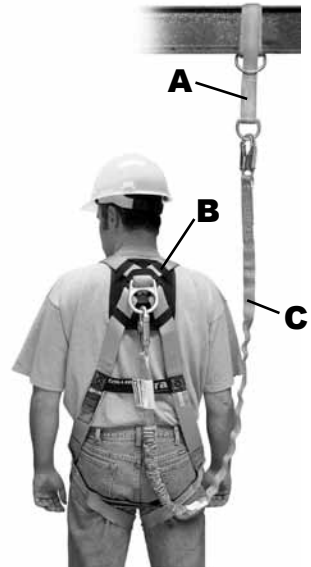
The first component is the anchor point/anchorage connector. The anchor point, also referred to as the tie-off point, is a secure point of attachment for connecting devices and must be capable of supporting 5,000 lbs. (22.2kN) per worker or meet OSHA 1926.502 requirements for a safety factor of two, such as an I-beam or other support structure. Anchorage connectors, such as the cross-arm strap and eyebolt, are sometimes necessary to make compatible connections between the connecting device and the anchor point.

B. BODY WEAR

The second system component is the personal protective gear worn by workers while performing the job. Miller Fall Protection manufactures full-body harnesses, positioning belts and body belts for use in specific work environments. Full-body harnesses are engineered to aid in the arrest of a free fall and should be worn in all situations where workers are exposed to a potential free fall. The full-body harness must be used in conjunction with shock-absorbing equipment to keep fall forces to a minimum. It is imperative that the harness be worn properly.

C. CONNECTING DEVICE

The third component of the system is the connecting device. The most important feature of the connecting device is the built-in shock absorber. Whether the connecting device is a shock-absorbing lanyard or self-retracting lifeline, they are designed to dramatically reduce fall arresting forces. Rope, web or cable lanyards being used for fall arrest MUST be used in conjunction with a shock absorber (i.e., Miller SofStop pack).



Individually, none of these components will provide protection from a fall. Used properly with each other, they form the “Miller System” and become a critically important part of the “total fall protection system.”

3.0 Anchorage Connector Installation

Installation Warnings, Limitations and Requirements for All Anchorage Connectors

Before installation of any anchorage connector, carefully inspect to ensure that it is in useable condition. Check for missing or damaged parts. Do not use this equipment if any component does not operate properly or if the unit appears to be damaged in any way. Refer to the inspection section of this manual.

Only trained and competent personnel should install and use this equipment.

Ensure that the anchor point is at a height that limits free fall distance to 6 ft. (1.8m) or less.

Always work directly under the anchor point to avoid a swing-fall injury.

Ensure that the anchorage connector is at a height that will not allow a lower level to be struck should a fall occur. When selecting an anchorage point, always remember that shock absorbers will elongate when subjected to fall arrest forces. Refer to the labels and instructions provided with the connecting device to obtain the maximum elongation distance.

Fall arrest systems used with the anchorage connector must be rigged in accordance to regulatory requirements. [All instructions and warnings provided with the components of the personal fall arrest system must be read, understood, and followed.]

Make sure that all connections within the fall arrest system are compatible.

The anchorage connector must be compatible with the snap hook or carabiner of the connecting device and must not be capable of causing a load to be applied to the gate/keeper.

Use only locking carabiners, locking snap hooks or other Miller approved connectors or connecting devices to attach to this equipment.

Never use an anchorage connector which will not allow snap hook or carabiner gate/keeper to close.

An anchorage connector is designed FOR USE BY ONE PERSON ONLY.

All anchorage connectors included in this manual have a minimum tensile strength of 5,000 lbs. (22.2kN).

The structure that this product is attached to must be capable of supporting a 5,000 lb. (22.2 kN) static load or provide a 2:1 safety factor in the direction of pull.

Anchorage requirements based on ANSI are as follows:

- For fall arrest systems, anchorages must withstand a static load of 5,000 lbs. (22.2kN) for non-certified anchorages or two times the maximum arresting force for certified anchorages.
- For positioning systems, anchorages must withstand a static load of 3,000 lbs. (13.3kN) for non-certified anchorages or two times the foreseeable force for certified anchorages.
- For travel restraint, anchorages must withstand a static load of 1,000 lbs. (4.5kN) for non-certified anchorages or two times the foreseeable force for certified anchorages.
- For rescue systems, anchorages must withstand a static load of 3,000 lbs. (13.3kN) for non-certified anchorages or five-times the applied load for certified anchorages.
- When more than one personal fall arrest system is attached to an anchorage, the above anchorage strengths must be multiplied by the number of personal fall arrest systems attached to the anchorage.

Mounted D-Ring (410), D-Bolt Anchors (415, 416/417, 416SS/417SS, 418/419 & 418SS/419SS) and Concrete D-Bolt Anchor (417C) meet OSHA and ANSI A10.32 & Z359.1 [310 lbs. (140.6 kg)].

[Note: If the system is used by an employee having a combined tool and body weight between 310 lbs. (140.6 kg) and 400 lbs. (181.4 kg), then the employer must appropriately modify the criteria and protocols to provide proper protection for such heavier weights, or the system will not be deemed to be in compliance with the requirements of OSHA 1926.502(d)(16).]

3.1 Mounted D-Ring Anchor (410)

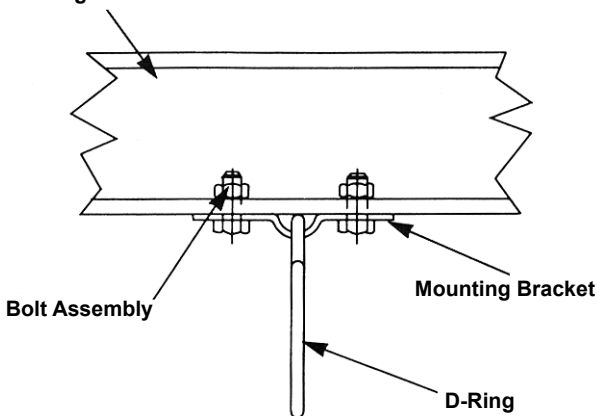
Warnings and Limitations

- For use by **ONE** person only. Maximum capacity is 400 lbs. (181.4kg), including tools. — **DO NOT EXCEED THIS WEIGHT.**
- Use only Miller approved bolts and fasteners with these anchors.
- The 410 Mounted D-Ring Anchor should only be installed on horizontal overhead surfaces. Other installation applications must be approved by Miller Fall Protection.
- The 410 Mounted D-Ring Anchor is only approved as a single-user anchorage connector and should not be used within any horizontal lifeline system.

Model No.	Description	Material	Weight
410	D-ring anchor with mounting bracket, 4 - 3/8" x 3-1/2" grade 5 bolts, 4 - 3/8" nuts and 4 - 3/8" lockwashers	Drop Forge Alloy Steel	1 lb. 9.6 oz. (0.7kg)



Anchorage/Structure



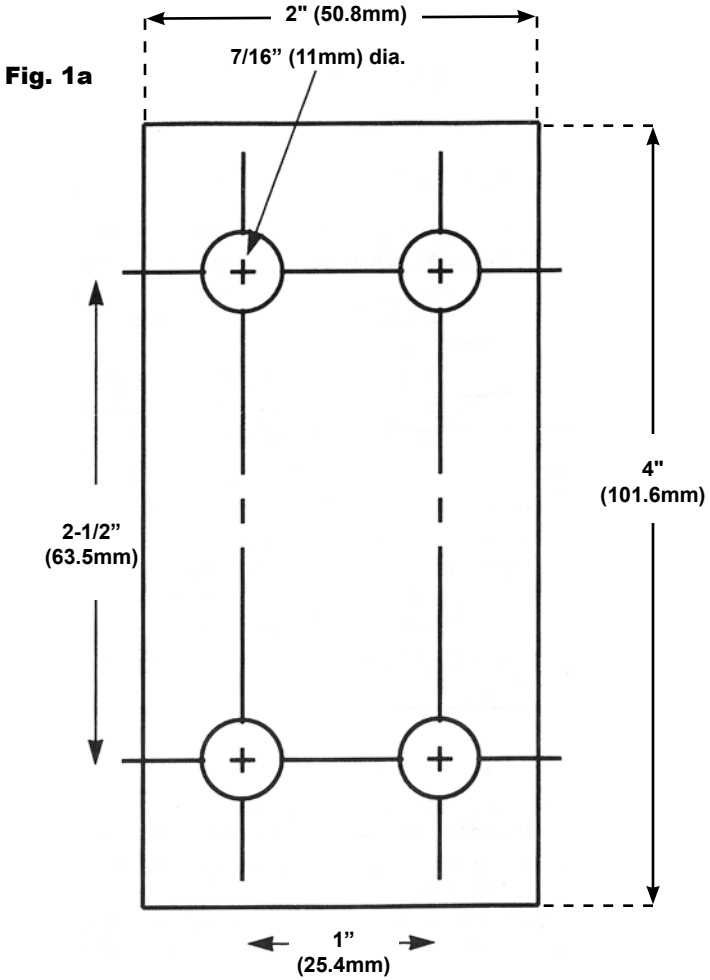
Installation

1. Locate and identify an approved compatible anchorage/structure. Be sure that the mounting location is clean and free of debris.
2. Using a copy of the template provided (see Fig. 1a), drill four (4) each 7/16" (11mm) diameter holes into the structure. Consideration should be given to allow sufficient clearance to tighten all bolts and nuts.
3. Place the mounting bracket through the D-ring, centering the D-ring bar on the bracket.
4. Position the mounting bracket over the pre-drilled holes in the structure. Install one bolt through a hole in the bracket and through the corresponding hole in the structure. Place the lockwasher and nut onto the bolt, but do not tighten completely. Repeat with remaining three bolts.
5. Completely tighten using a torque value between 20-25 ft. lbs. Ensure the entire nut is engaged on the threads of each bolt, and the device is securely fastened to the structure.

WARNING: Do not overtighten. Excessive tension can cause damage to the anchorage system.

Removal: Loosen and remove all nuts, lockwashers and bolts to remove D-ring and mounting bracket from the anchorage/structure.

DRILLING TEMPLATE FOR MOUNTING D-RING ANCHOR



3.2 D-Bolt Anchor (415, 416/417, 416SS/417SS, 418/419, 418SS/419SS)

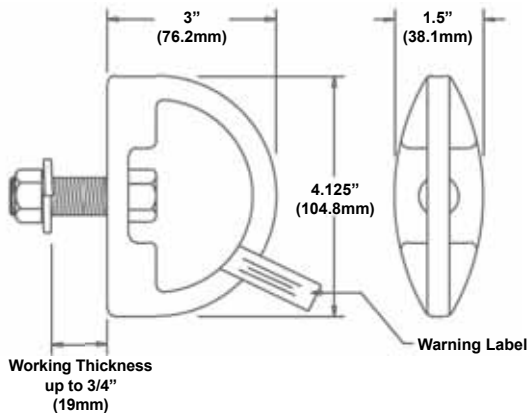
Warnings and Limitations

- For use by ONE person only. Maximum capacity is 400 lbs. (181.4kg), including tools. — DO NOT EXCEED THIS WEIGHT.
- Use only Miller approved bolts and fasteners with these anchors. For Models 417, 417SS, 419 and 419SS, the user must supply an approved 5/8" grade 8/18-8 bolt for use with the 417 and 417SS D-bolt anchors or an approved 3/4" grade 8/18-8 bolt for use with the 419 and 419SS D-bolt anchors.
- The 415, 416, 416SS, 417, 417SS, 418, 418SS, 419 and 419SS D-Bolt Anchors may be installed on overhead horizontal or vertical surfaces. Other installation applications must be approved by Miller Fall Protection.
- Model 415 D-Bolt Anchors are only approved as single-user anchorage connectors and should not be used as end anchors in any horizontal lifeline system. Model 416, 416SS, 417, 417SS, 418, 418SS, 419 and 419SS D-Bolt Anchors are approved for use with Miller SkyGrip™, Miller TechLine™ and Titan WebLine™ Horizontal Lifeline Systems. Any other applications must be Miller approved.

Model 415



Model No.	Description	Material	Weight
415	D-bolt anchor with hardware (1/2" grade 8 bolt, lockwasher and nut); accommodates working thicknesses up to 3/4" (19mm)	Drop Forge Alloy Steel	1 lb. 5 oz. (0.6kg)

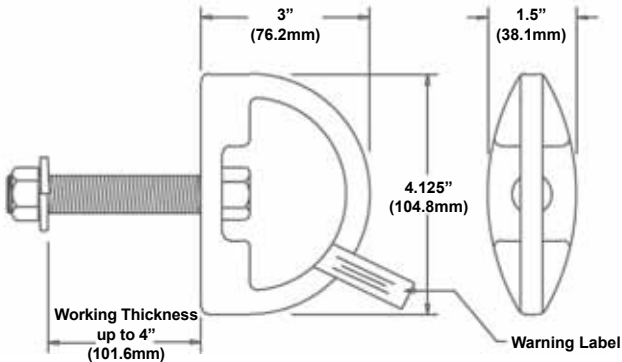


Model 416 & 418

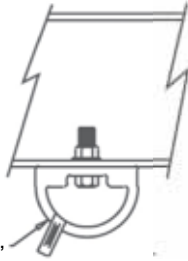


Model No.	Description	Material	Weight
416	D-bolt anchor with hardware (5/8" grade 8 bolt, lockwasher and nut); accommodates working thicknesses up to 4" (101.6mm)	Drop Forge Alloy Steel	1 lb. 8 oz. (0.7kg)
416SS	D-bolt anchor with hardware (5/8" grade 18-8 bolt, lockwasher and nut); accommodates working thicknesses up to 4" (101.6mm)	Stainless Steel	1 lb. 8 oz. (0.7kg)
417*	D-bolt anchor without hardware (Note: User supplies mounting hardware - 5/8" grade 8 bolt, lockwasher and nut.)	Drop Forge Alloy Steel	14.7 oz. (0.4kg)
417SS*	D-bolt anchor without hardware (Note: User supplies mounting hardware - 5/8" grade 18-8 bolt, lockwasher and nut.)	Stainless Steel	14.7 oz. (0.4kg)
418	D-bolt anchor with hardware (3/4" grade 8 bolt, lockwasher and nut); accommodates working thicknesses up to 4" (101.6mm)	Drop Forge Alloy Steel	1 lb. 8 oz. (0.7kg)
418SS	D-bolt anchor with hardware (3/4" grade 18-8 bolt, lockwasher and nut); accommodates working thicknesses up to 4" (101.6mm)	Stainless Steel	1 lb. 8 oz. (0.7kg)
419*	D-bolt anchor without hardware (Note: User supplies mounting hardware - 3/4" grade 8 bolt, lockwasher and nut.)	Drop Forge Alloy Steel	1 lb. (0.5kg)
419SS*	D-bolt anchor without hardware (Note: User supplies mounting hardware - 3/4" grade 18-8 bolt, lockwasher and nut.)	Stainless Steel	1 lb. (0.5kg)

*Length of bolt may vary to accommodate different working thicknesses.



Installation

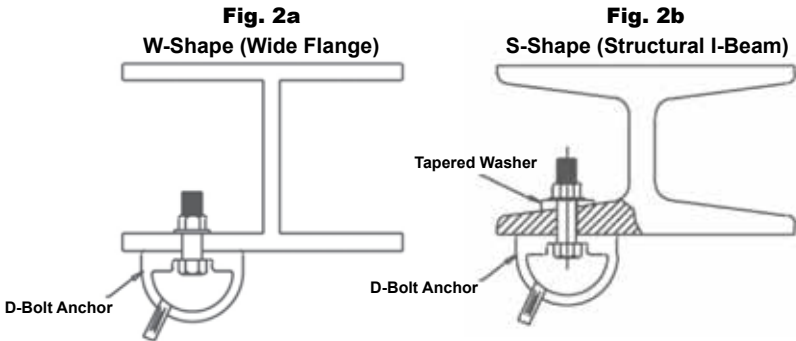


415, 416/417, 416SS/417SS,
418/419, 418SS/419SS
D-Bolt Anchor

1. Locate and identify an approved compatible anchorage/structure. Be sure that the mounting location is clean and free of debris.
2. Locate or drill the appropriate sized hole per the chart below. Consideration should be given to allow sufficient clearance to place the lockwasher and tighten the nut.

Model	Hole Size
415	17/32" diameter
416/416SS/417/417SS	21/32" diameter
418/418SS/419/419SS	25/32" diameter

WARNING: On D-bolts installed to W-shaped beams, the mounting hole must be drilled perpendicular to the flange (see Fig. 2a). D-bolts installed to S-shaped beams must be drilled perpendicular to the flange and a tapered (aka bevel, side hill or wedge) washer must be used to ensure the D-bolt and/or nut and washer seats squarely against the beam surface (see Fig. 2b).



3. Mounting the 415 D-Bolt Anchor

Mount the 415 D-Bolt Anchor by passing an approved 1/2" grade 8 bolt through the hole in the connector and through the hole in the structure. Attach the lockwasher and nut.

Mounting the 416/416SS/417/417SS D-Bolt Anchors

Mount the 416/416SS/417/417SS D-Bolt Anchor by passing an approved 5/8" grade 8/18-8 bolt through the hole in the connector and through the hole in the structure. Attach the lockwasher and nut.

Mounting the 418/418SS/419/419SS D-Bolt Anchors

Mount the 418/418SS/419/419SS D-Bolt Anchor by passing an approved 3/4" grade 8/18-8 bolt through the hole in the connector and through the hole in the structure. Attach the lockwasher and nut.

4. Completely tighten using the recommended torque value per chart below. Ensure the entire nut is engaged on the threads, and the device is securely fastened to the structure.

Model	Torque Values
415	65-75 ft. lbs.
416/417	125 ft. lbs.
416SS/417SS	90-100 ft. lbs.
418/419	185-195 ft. lbs.
418SS/419SS	125-135 ft. lbs.

WARNING: Do not overtighten. Excessive tension can cause damage to the anchorage system.

Removal: Loosen and detach the nut and washer. Then remove D-Bolt Anchor from the anchorage/structure.

3.3 Concrete D-Bolt Anchor (417C)

Warnings and Limitations

- For use by ONE person only. Maximum capacity is 310 lbs. (140.6kg), including tools. — DO NOT EXCEED THIS WEIGHT.
- Use only Miller approved bolts and fasteners with these anchors.
- The Miller 417C Concrete D-Bolt Anchor must only be installed to normal weight, completely cured concrete with a compressive strength of at least 2000 psi (13.8 MPa).
- The 417C Concrete D-Bolt Anchor may be installed on overhead horizontal or vertical surfaces. Other installation applications must be approved by Miller Fall Protection.
- Always contact Miller Fall Protection for approval before using the 417C Concrete D-Bolt Anchor in any horizontal lifeline application.



Model No.	Description	Material	Weight
417C	D-bolt anchor with concrete expansion bolt (5/8" x 6" anchor bolt with 5/8" lockwasher)	Drop Forge Alloy Steel	1 lb. 4 oz. (0.6kg)

Installation

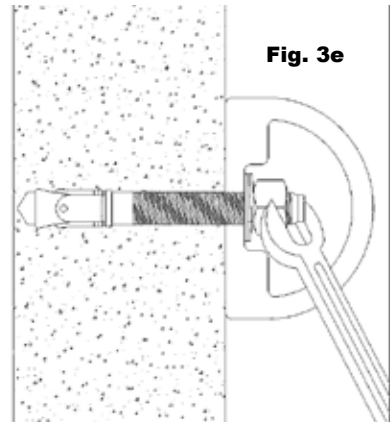
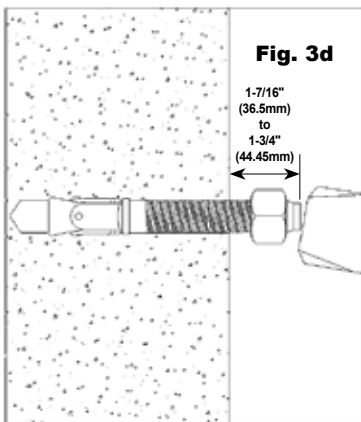
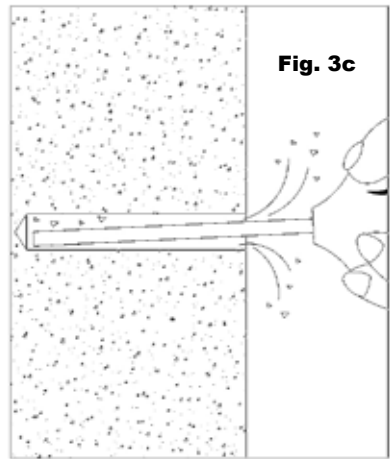
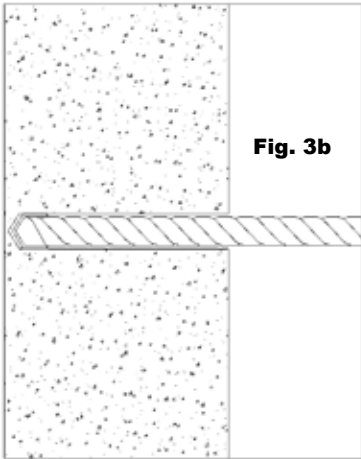
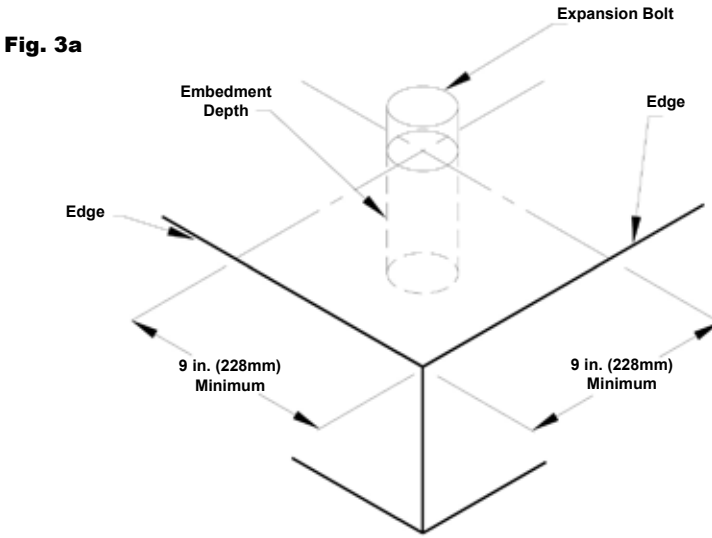
When considering location, ensure there is a minimum of at least 9 in. (228mm) from all edges and control joints (see Fig. 3a).

WARNING: Do not install the Concrete D-Bolt Anchor any closer than 9 in. (228mm) from any edge or install into concrete that is cracked, damaged, broken or deteriorated.

1. Hammer drill a 5/8" (15.9mm) hole to a minimum of 4-5/8" (117.5mm) embedment depth (see Fig. 3b).
2. Clean all debris from hole with a blow out bulb (see Fig. 3c).
3. To protect the threads during installation, place the nut onto the expansion bolt. Then drive the bolt into the hole until 1-7/16" (36.5mm) to 1-3/4" (44.45mm) of the stud remains above the surface (see Fig. 3d).
4. Remove the nut and install the D-anchor to the bolt. Then install the flatwasher, followed by the lockwasher and nut. NOTE: A minimum of 2 threads should protrude past the nut after assembly. Torque to between 80-85 ft. lbs. (see Fig. 3e).

WARNING: Do not overtighten. Excessive tension can cause damage to the anchorage system.

Removal: If installed in a bottomless hole, D-anchor can be removed and bolt can be driven flush with the surface after use.



4.0 Inspection and Maintenance

Inspection

Miller Anchorage Connectors are designed for today's rugged work environments. To maintain their service life and high performance, all components should be inspected frequently.

Anchorage connectors must be visually inspected by the user before each use and inspected by a Competent Person on a regular basis.

Inspect product for any of the following: bent, cracked, distorted, worn, malfunctioning or damaged parts; loose fasteners or missing parts/components; deterioration; deformation; corrosion; signs that indicate the product has been subjected to a fall arrest; or any other indications of damage/problems that may affect the integrity and operation of the product. If in doubt, contact the manufacturer.

**Devices that do not pass inspection
or have been subjected to fall arresting forces
must be removed from service.**

Cleaning and Storage

Basic care of all Miller Fall Protection equipment will prolong the life of the unit and will contribute toward the performance of its vital safety function. Periodically clean the device to remove any dirt, paint, corrosives, contaminants, or other materials that may have accumulated. When not in use, store in a clean, dry area, free of exposure to fumes or corrosive elements.

Servicing

Servicing of Miller Fall Protection equipment must only be carried out by Miller Fall Protection or persons or entities authorized in writing by Miller Fall Protection. A record log of all servicing and inspection dates for this device must be maintained. Only original Miller replacement parts are approved for use in this device. Non-repairable devices that do not pass inspection must be disposed of in a manner to prevent inadvertent further use. Contact Miller Technical Services at 800.873.5242 if you have any questions.

Merci

Nous désirons vous remercier d'avoir acheté un équipement de Miller Fall Protection. Les produits de marque Miller sont fabriqués selon des normes de qualité des plus rigoureuses, dans notre usine certifiée ISO 9001. Bien entretenu, un équipement Miller Fall Protection s'utilise des années durant.

AVERTISSEMENT

Toutes les personnes qui utilisent cet équipement doivent lire, comprendre et suivre toutes les instructions. Tout manquement à cette règle peut avoir pour conséquence des blessures graves ou la mort. Ne pas utiliser cet équipement à moins d'avoir reçu une formation adéquate.

Des Questions?

APPELEZ
1.800.873.5242

Il est essentiel que la personne autorisée à utiliser cet équipement de protection contre les chutes lise et comprenne ces instructions. De plus, il incombe à l'employeur de s'assurer que tous les utilisateurs sont formés à l'emploi, à l'inspection et à l'entretien adéquats de l'équipement de protection contre les chutes. La formation sur la protection contre les chutes devrait faire partie intégrante d'un programme global de sécurité.

L'utilisation adéquate de systèmes d'arrêt de chute peut épargner des vies et réduire le risque de blessures graves consécutives à une chute. L'utilisateur doit être sensibilisé au fait que les forces subies lors d'un arrêt de chute ou d'une suspension prolongée peuvent causer des blessures corporelles. Dans l'incertitude sur la capacité de la personne à utiliser ce produit, consulter un médecin. Les femmes enceintes et les mineurs ne doivent pas utiliser ce produit.

1.0 Exigences Générales, Avertissements et Limitations

Les avertissements et instructions devront être mis à la disposition des personnes/utilisateurs autorisés.

Les personnes/utilisateurs autorisés doivent se reporter à la réglementation applicable en matière de sécurité en milieu de travail, ainsi qu'aux normes ANSI ou CSA pertinentes. Veuillez vous reporter aux étiquettes apposées sur les produits pour des informations plus détaillées sur les règlements OSHA, ainsi que les normes ANSI et CSA auxquelles ces produits sont conformes.

Des précautions doivent être prises afin d'éliminer de la zone de travail les obstacles, débris, matériaux ou autres éléments présentant un danger et qui pourraient causer des blessures ou nuire au bon fonctionnement du système.

L'équipement doit être inspecté avant chaque utilisation selon les directives du fabricant.

L'équipement doit être régulièrement inspecté par une personne qualifiée.

Pour minimiser le risque de décrochage accidentel, une personne compétente doit s'assurer de la compatibilité du système.

Il est interdit de modifier l'équipement, de quelque façon que ce soit.

Les réparations doivent être effectuées uniquement par le fabricant de l'équipement, ou par des personnes ou entités autorisées par écrit par le fabricant.

Tout produit déformé, anormalement usé ou détérioré doit être immédiatement mis au rebut.

Tout équipement soumis à une chute doit être mis hors service.

L'utilisateur doit posséder un plan de sauvetage et avoir les moyens de le mettre en œuvre lorsqu'il utilise cet équipement.

Ne jamais utiliser un équipement de protection contre les chutes dans un but autre que celui pour lequel il a été prévu. Ne jamais utiliser un tel équipement pour remorquer ou lever une charge.

Ne pas exposer le matériel à des risques environnementaux ni à des produits chimiques susceptibles de produire un effet nuisible.

L'utilisation dans un milieu corrosif ou caustique exige un programme d'inspection et d'entretien plus fréquent pour maintenir l'intégrité du produit.

Éviter tout contact entre un équipement et un objet susceptible de l'endommager, incluant notamment, sans que la liste soit exhaustive : des arêtes vives, une surface abrasive, rugueuse ou à haute température, du matériel de soudage, une source de chaleur, un appareil électrique présentant un danger ou une machine mobile.

Les matériaux synthétiques doivent être protégés contre le laitier (de soudure), les étincelles chaudes, les flammes nues ou autres sources de chaleur. Dans de tels cas, on recommande d'utiliser des matériaux résistant à la chaleur.

Ne pas exposer le matériel à tout risque pour lequel il n'est pas conçu. En cas de doute, consulter le fabricant.

Toujours vérifier qu'il n'y a pas d'obstacles en dessous de la zone de travail et que le trajet en cas de chute est dégagé.

Prévoir une distance de dégagement suffisante en dessous de la surface de travail.

Ne jamais ôter une étiquette apposée sur un produit; des informations et avertissements importants y sont en effet inscrits à l'intention de la personne/de l'utilisateur autorisé.

2.0 Compatibilité du Système

Les produits de protection antichute Miller sont conçus pour être utilisés en conjonction avec des composants Miller approuvés. Les substitutions ou les remplacements par des combinaisons de composants ou de sous-systèmes non approuvés peuvent nuire à leur sécurité de fonctionnement réciproque et ainsi remettre en cause la compatibilité des éléments du système. Cette incompatibilité peut nuire à la sécurité et à la fiabilité de l'ensemble du système.

2.1 Groupes de Produits Miller Fall Protection

Un programme complet de protection contre les chutes doit être considéré comme un « système total », débutant par une identification des risques et se terminant par une revue de la direction; cette revue doit avoir lieu en permanence. Pour Miller Fall Protection, ces produits représentent un « système dans un système ». Une protection maximale du travailleur passe par la mise en place et l'utilisation adéquate de trois composants clés du « système Miller ».

A. POINT D'ANCRAGE/CONNECTEUR D'ANCRAGE

Le premier composant est le point d'ancrage/connecteur d'ancrage. Le point d'ancrage, également dénommé point de fixation, constitue un point d'attache sécuritaire des dispositifs de connexion et il doit pouvoir supporter 5000 lb (22.2 kN) par travailleur ou satisfaire aux exigences 1926.502 de l'OSHA, avec une marge de sécurité de 2, comme une poutre en I ou autre structure de supportage. Il est parfois nécessaire d'utiliser des connecteurs d'ancrage, comme la sangle transversale et le boulon à œil, afin de réaliser des connexions compatibles entre le dispositif de connexion et le point d'ancrage.

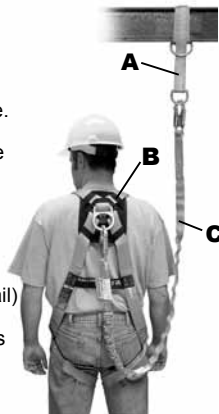
B. ÉQUIPEMENT DE PROTECTION INDIVIDUELLE

L'équipement de protection individuelle porté par les travailleurs dans l'accomplissement de leurs tâches constitue le second composant. Miller Fall Protection fabrique des harnais de sécurité complets, des ceintures de maintien au travail et des ceintures de travail pour utilisation dans des conditions (de travail) bien précises. Un harnais de sécurité complet est étudié pour l'arrêt d'une chute libre et doit être porté par tout travailleur exposé à un risque de chute. Un harnais de sécurité complet doit être utilisé en même temps qu'un absorbeur d'énergie afin de réduire au minimum les forces présentes en cas de chute. Il est essentiel de porter le harnais de la bonne manière.

C. DISPOSITIF DE CONNEXION

Le dispositif de connexion constitue le dernier composant du système. L'élément le plus important du dispositif de connexion est l'absorbeur d'énergie incorporé. Que le dispositif soit une corde d'amarrage à absorbeur d'énergie ou un cordage de sécurité à rétraction automatique, il a été conçu pour réduire substantiellement les forces mises en jeu lors de l'arrêt d'une chute. Une corde d'amarrage constituée par une corde, une sangle ou un câble et servant de dispositif antichute DOIT ÊTRE utilisé en même temps qu'un absorbeur d'énergie (par exemple: enveloppe compacte ProStop de Miller).

Aucun de ces composants ne peut assurer à lui seul une protection contre les chutes. Utilisés comme un tout, ces composants forment le « système Miller » et constituent une partie du « système total de protection contre les chutes », système d'une importance vitale.



3.0 Installation des Connecteurs D'ancrage

Mises en garde, limites et exigences relatives à l'installation de tous les connecteurs d'ancrage

Avant d'installer un connecteur d'ancrage, bien s'assurer qu'il est utilisable. Vérifier s'il manque des pièces ou s'il y en a d'abîmées. Ne pas se servir de l'équipement si l'un des composants ne fonctionne pas adéquatement ou si l'élément semble abîmé d'une façon quelconque. Se reporter à la section « Inspection » du présent manuel.

Seule une personne formée et compétente peut installer et utiliser cet équipement.

S'assurer que le point d'ancrage se situe à une hauteur qui limite la distance de chute libre à 6 pieds (1,8 m) ou moins.

Toujours manœuvrer directement sous le point d'ancrage pour éviter de se blesser, par suite d'une chute par balancement.

S'assurer que le connecteur d'ancrage se situe à une hauteur qui empêche de donner contre un niveau inférieur en cas de chute. Dans le choix d'un point d'ancrage, ne jamais oublier que les amortisseurs de chocs s'étirent lorsqu'ils sont soumis à des forces d'arrêt de chute. Pour connaître la distance maximale d'élongation, se reporter aux étiquettes et aux instructions accompagnant le dispositif de raccordement.

Les systèmes d'arrêt de chute utilisés avec le connecteur d'ancrage doivent être équipés conformément aux exigences réglementaires. [On doit lire, comprendre et observer toutes les instructions et mises en garde qui accompagnent les composants du système individuel d'arrêt de chute.]

S'assurer que tous les raccords dans le système d'arrêt de chute sont compatibles.

Le connecteur d'ancrage doit être compatible avec la boucle à pression ou le mousqueton du dispositif de raccordement sans que le loquet soit soumis à une charge.

N'utiliser que des mousquetons verrouillables, des boucles à pression verrouillables ou autres connecteurs ou dispositifs de raccordement approuvés de Miller pour fixer à cet équipement.

Ne jamais utiliser de connecteur d'ancrage qui empêche la boucle à pression ou le loquet de mousqueton de se fermer.

Un connecteur d'ancrage doit ÊTRE UTILISÉ PAR UNE SEULE PERSONNE.

Tous les connecteurs d'ancrage figurant dans le présent manuel offrent une force de traction minimale de 5000 lb (22,2 kN).

La structure à laquelle ce produit est fixé doit pouvoir supporter une charge statique de 5000 lb (22,2 kN) ou présenter un facteur de sécurité de 2 :1 dans la direction de la traction.

Les exigences ANSI qui s'appliquent aux ancrages sont les suivantes :

- L'ancrage non certifié d'un dispositif anti-chute doit supporter une charge statique de 5000 lb (22.2 kN), tandis qu'un ancrage certifié doit supporter deux fois la force maximale mise en jeu lors de l'arrêt d'une chute.
- Dans le cas d'un dispositif de maintien, l'ancrage non certifié doit supporter une charge statique de 3000 lb (13.3 kN), tandis qu'un ancrage certifié doit supporter deux fois la force prévisible.
- Dans le cas d'une limitation de déplacement, l'ancrage non certifié doit supporter une charge statique de 1000 lb (4.5 kN), tandis qu'un ancrage certifié doit supporter deux fois la force prévisible.
- L'ancrage utilisé dans un système servant au sauvetage doit supporter une charge statique de 3000 lb (13.3 kN) s'il n'est pas certifié ou de cinq fois la charge appliquée s'il est certifié.
- Lorsque plusieurs dispositifs anti-chute individuels sont fixés à un même ancrage, les résistances d'ancrage ci-dessus doivent être multipliées par le nombre de dispositifs anti-chute rattachés à l'ancrage.

Les ancrages à anneau en D (410), à boulon en D (415, 416/417, 416SS/417SS, 418/419 & 418SS/419SS) et l'ancrage à boulon en D pour béton (417C) répondent aux exigences OSHA et ANSI A10.32 et Z359.1 [310 lb (140,6 kg)].

[Nota : Si le système est utilisé par un employé ayant un poids combiné (outil et corps) entre 310 lb (140,6 kg) et 400 lb (181,4 kg), l'employeur doit alors modifier adéquatement les critères et protocoles afin d'assurer une protection adéquate pour de tels poids supérieurs, sinon le système ne sera pas réputé conforme aux exigences de l'OSHA 1926.502(d)(16).]

3.1 Ancrage à anneau en D (410)

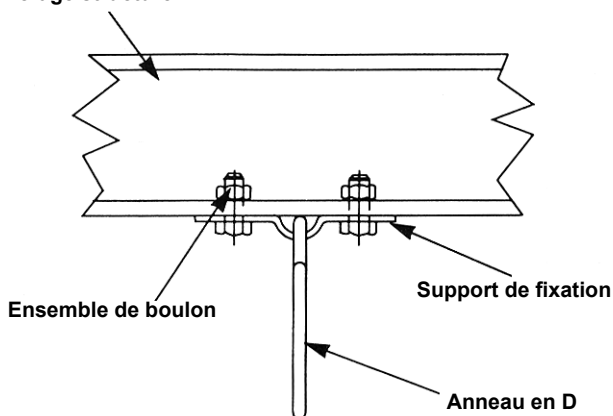
Mises en Garde et Limites

- À utiliser par **UNE SEULE** personne. Capacité maximale : 400 lb (181,4 kg), y compris les outils. – **NE PAS EXCÉDER CE POIDS.**
- N'utiliser que des boulons et attaches approuvés Miller avec ces ancrages.
- L'ancrage à anneau en D (410) doit être installé **uniquement** sur des surfaces surélevées horizontales. Les autres applications d'installation doivent être approuvées par Miller (Miller Fall Protection).
- L'ancrage à anneau en D (410) est approuvé **uniquement** en tant que connecteur d'ancrage pour un seul utilisateur et ne doit pas être utilisé dans un système de cordage de sécurité horizontal.



Modèle de n°	Description	Matériel	Poids
410	Ancrage à anneau en D avec support de fixation, 4 boulons de calibre 5 (3/8" x 3 1/2"), 4 écrous (3/8") et 4 rondelles de blocage de 3/8"	Acier d'alliage estampé	1 lb. 9.6 oz. (0.7kg)

Ancrage/structure



Pose

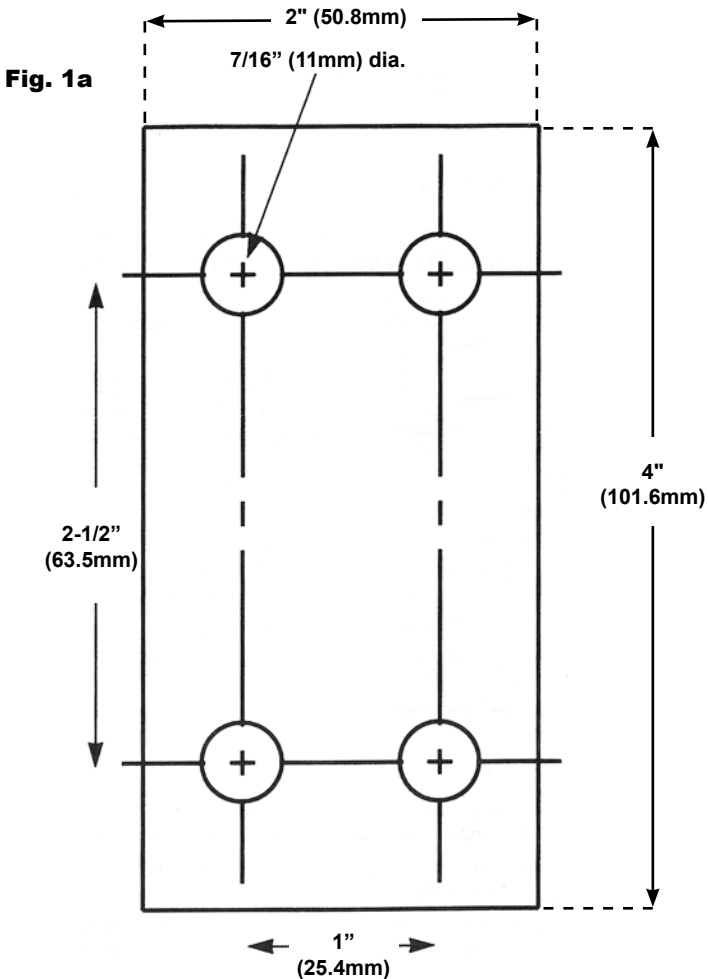
1. Repérer et identifier un ancrage/une structure compatibles approuvés. S'assurer que l'emplacement de la fixation est propre et exempt de débris.
2. En s'alignant sur le gabarit fourni (voir Fig. 1a), percer quatre (4) trous de 7/16" (11mm) de diamètre chacun dans la structure. Allouer suffisamment de dégagement pour serrer tous les boulons et écrous.
3. Placer le support de fixation à travers l'anneau en D, en plaçant la barre de l'anneau en D au centre du support.
4. Placer le support de fixation vis-à-vis les trous pré-forés dans la structure. Faire passer un boulon dans un trou du support et dans le trou correspondant de la structure. Placer la rondelle de blocage et l'écrou sur le boulon, mais ne pas serrer à fond. Répéter la manœuvre avec les trois boulons restants.

5. Serrer à fond en utilisant un couple de serrage entre 20 et 25 pi-lb. S'assurer que l'écrou est engagé au complet sur le filetage de chaque boulon et que le dispositif est bien fixé à la structure.

MISE EN GARDE : Ne pas trop serrer. Une tension excessive peut endommager le système d'ancrage.

Pour retirer : Desserrer et enlever tous les écrous, les rondelles de blocage et les boulons pour retirer l'anneau en D et le support de fixation de l'ancrage/de la structure.

GABARIT DE FORAGE POUR POSER L'ANCRAGE À ANNEAU EN D



Grandeur réelle

3.2 Ancrage à boulon en D (415, 416/417, 416SS/417SS, 418/419, 418SS/419SS)

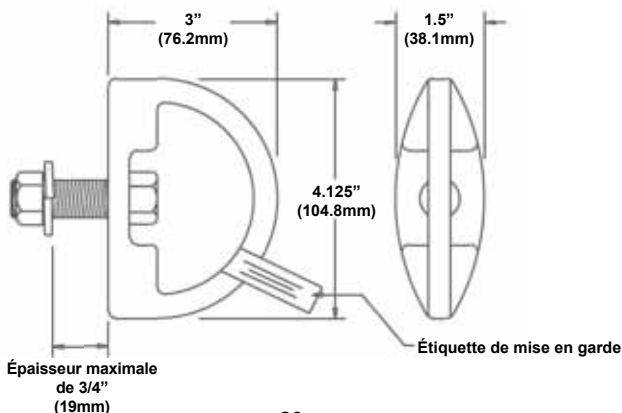
Mises en Garde et Limites

- À utiliser par UNE SEULE personne. Capacité maximale : 400 lb (181,4 kg), y compris les outils. – NE PAS EXCÉDER CE POIDS.
- N'utiliser que des boulons et attaches approuvés Miller avec ces ancrages. Pour les modèles 417, 417SS, 419 et 419SS, l'utilisateur doit fournir un boulon de calibre 8/18-8 de 5/8" approuvé pour utilisation avec l'ancrage à boulon en D 417 et 417SS ou un boulon de calibre 8/18-8 de 3/4" pour utilisation avec l'ancrage à boulon en D 419 et 419SS.
- Les ancrages à boulon en D (415, 416, 416SS, 417, 417SS, 418, 418SS, 419 et 419SS) peuvent être installés sur des surfaces verticales ou horizontales surélevées. Les autres applications d'installation doivent être approuvées par Miller (Miller Fall Protection).
- Les ancrages à boulon en D (modèle 415) sont approuvés uniquement en tant que connecteurs d'ancrage pour un seul utilisateur et ne doivent pas être utilisés comme ancrages d'extrémité dans un système de cordage de sécurité horizontal. Les ancrages à boulon en D (modèles 416, 416SS, 417, 417SS, 418, 418SS, 419 et 419SS) sont approuvés pour être utilisés avec les systèmes de cordage de sécurité horizontaux Miller SkyGrip™, Miller TechLine™ et Titan WebLine™. Les autres applications doivent être approuvées par Miller.

Modèle 415



Modèle de n°	Description	Matériel	Poids
415	Ancrage à boulon en D avec ferrures (boulon de calibre 8 de 1/2", rondelle de blocage et écrou); pour épaisseurs maximales de 3/4" (19 mm)	Acier d'alliage estampé	1 lb. 5 oz. (0.6kg)

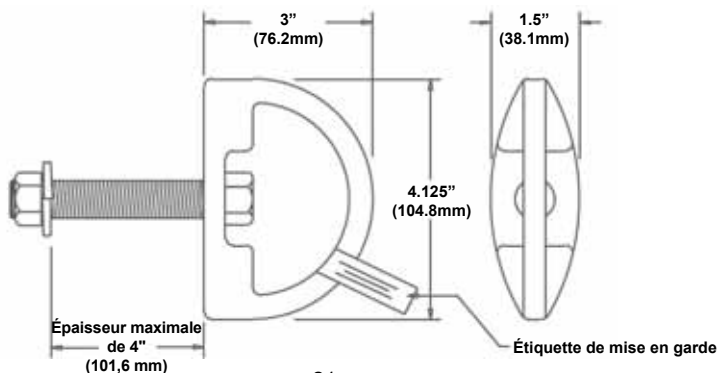


Modèles 416 & 418

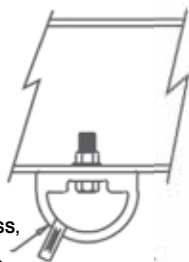


Modèle de n°	Description	Matériel	Poids
416	Ancrage à boulon en D avec ferrures (boulon de calibre 8 de 5/8", rondelle de blocage et écrou); pour épaisseurs maximales de 4" (101,6 mm)	Acier d'alliage estampé	1 lb. 8 oz. (0.7kg)
416SS	Ancrage à boulon en D avec ferrures (boulon de calibre 18-8 de 5/8", rondelle de blocage et écrou); pour épaisseurs maximales de 4" (101,6 mm)	Acier inoxydable	1 lb. 8 oz. (0.7kg)
417*	Ancrage à boulon en D sans ferrures (Nota : l'utilisateur fournit les ferrures de montage – boulon de calibre 8 de 5/8", rondelle de blocage et écrou.)	Acier d'alliage estampé	14.7 oz. (0.4kg)
417SS*	Ancrage à boulon en D sans ferrures (Nota : l'utilisateur fournit les ferrures de montage – boulon de calibre 18-8 de 5/8", rondelle de blocage et écrou.)	Acier inoxydable	14.7 oz. (0.4kg)
418	Ancrage à boulon en D avec ferrures (boulon de calibre 8 de 3/4", rondelle de blocage et écrou); pour épaisseurs maximales de 4" (101,6 mm)	Acier d'alliage estampé	1 lb. 8 oz. (0.7kg)
418SS	Ancrage à boulon en D avec ferrures (boulon de calibre 18-8 de 3/4", rondelle de blocage et écrou); pour épaisseurs maximales de 4" (101,6 mm)	Acier inoxydable	1 lb. 8 oz. (0.7kg)
419*	Ancrage à boulon en D sans ferrures (Nota : l'utilisateur fournit les ferrures de montage – boulon de calibre 8 de 3/4", rondelle de blocage et écrou.)	Acier d'alliage estampé	1 lb. (0.5kg)
419SS*	Ancrage à boulon en D sans ferrures (Nota : l'utilisateur fournit les ferrures de montage – boulon de calibre 18-8 de 3/4", rondelle de blocage et écrou.)	Acier inoxydable	1 lb. (0.5kg)

*La longueur du boulon peut varier selon les différentes épaisseurs.



Pose

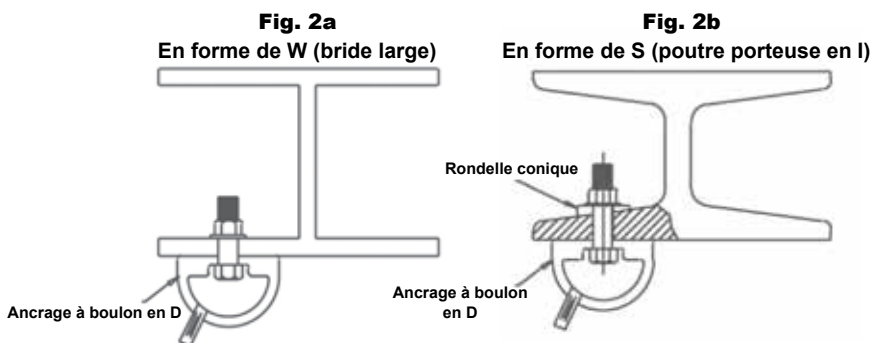


415, 416/417, 416SS/417SS,
418/419, 418SS/419SS
Ancrage à boulon en D

1. Repérer et identifier un ancrage/une structure compatibles approuvés. S'assurer que l'emplacement de la fixation est propre et exempt de débris.
2. Repérer ou percer un trou de dimension appropriée selon le tableau ci-dessous. Allouer suffisamment de dégagement pour placer la rondelle de blocage et serrer l'écrou.

Modèle	Dimensions du trou
415	17/32" de diamètre
416/416SS/417/417SS	21/32" de diamètre
418/418SS/419/419SS	25/32" de diamètre

MISE EN GARDE : Sur les boulons en D posés à des poutres en forme de W, percer le trou de montage perpendiculairement à la bride (voir Fig. 2a). Pour les boulons en D posés à des poutres en forme de S, percer le trou perpendiculairement à la bride et utiliser une rondelle conique (c.-à-d biseautée, déviée ou à coin) pour que le boulon en D et/ou l'écrou et la rondelle reposent carrément sur la surface de la poutre (voir Fig. 2b).



3. Montage de l'ancrage à boulon en D 415

Monter l'ancrage à boulon en D 415 en faisant passer un boulon approuvé de calibre 8 de 1/2" dans le trou du connecteur et dans celui de la structure. Fixer la rondelle de blocage et l'écrou.

Montage des ancrages à boulon en D 416/416SS/417/417SS

Monter l'ancrage à boulon en D 416/416SS/417/417SS en faisant passer un boulon approuvé de calibre 8/18-8 de 5/8" dans le trou du connecteur et dans celui de la structure. Fixer la rondelle de blocage et l'écrou.

Montage des ancrages à boulon en D 418/418SS/419/419SS

Monter l'ancrage à boulon en D 418/418SS/419/419SS en faisant passer un boulon approuvé de calibre 8/18-8 de 3/4" dans le trou du connecteur et dans celui de la structure. Fixer la rondelle de blocage et l'écrou.

4. Serrer à fond suivant le couple de serrage recommandé dans le tableau ci-dessous. S'assurer que l'écrou est engagé à fond sur le filetage et que le dispositif est bien fixé à la structure.

Modèle	Couples de serrage
415	65-75 ft. lbs.
416/417	125 ft. lbs.
416SS/417SS	90-100 ft. lbs.
418/419	185-195 ft. lbs.
418SS/419SS	125-135 ft. lbs.

MISE EN GARDE : Ne pas trop serrer. Une tension excessive peut endommager le système d'ancrage.

Pour retirer : Desserrer et enlever l'écrou et la rondelle. Puis retirer l'ancrage à boulon en D de la structure d'ancrage.

3.3 Ancrage à boulon en D pour béton (417C)

Mises en Garde et Limites

- À utiliser par UNE SEULE personne. Capacité maximale : 310 lb (140,6 kg), y compris les outils. – NE PAS EXCÉDER CE POIDS.
- N'utiliser que des boulons et attaches approuvés Miller avec ces ancrages.
- L'ancrage à boulon en D pour béton 417C de Miller ne doit être posé que dans du béton de masse normale et de résistance à la pression d'au moins 2000 psi (13,8 MPa).
- L'ancrage à boulon en D pour béton (417C) peut être installé sur des surfaces horizontales surélevées ou verticales. Les autres applications d'installation doivent être approuvées par Miller (Miller Fall Protection).
- Contacter toujours Miller Fall Protection pour avoir son approbation avant d'utiliser l'ancrage à boulon en D pour béton (417C) dans les applications de cordage de sécurité horizontales.



Modèle de n°	Description	Matériel	Poids
417C	Ancrage à boulon en D avec boulon à expansion pour béton (boulon d'ancrage 5/8 po x 6 po avec rondelle de sécurité 5/8 po)	Acier d'alliage estampé	1 lb. 4 oz. (0.6kg)

Pose

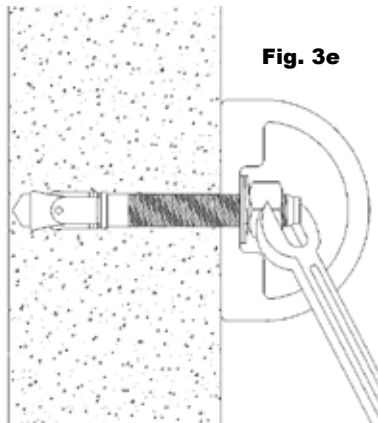
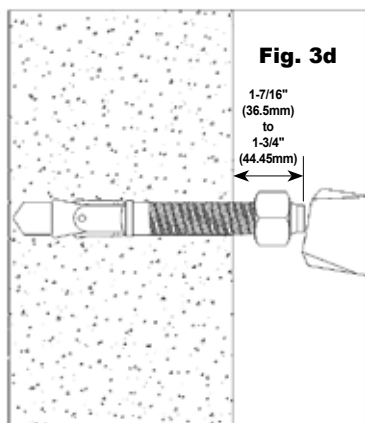
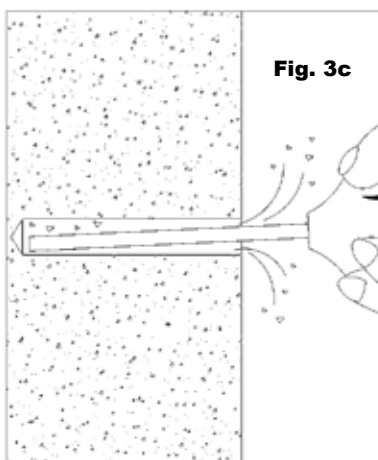
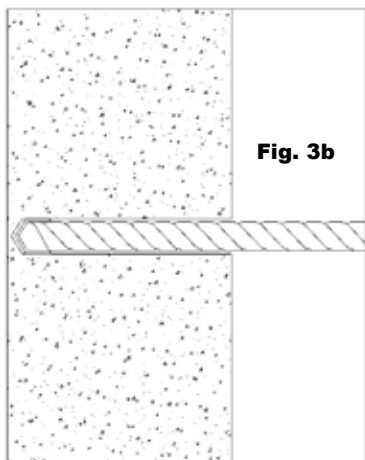
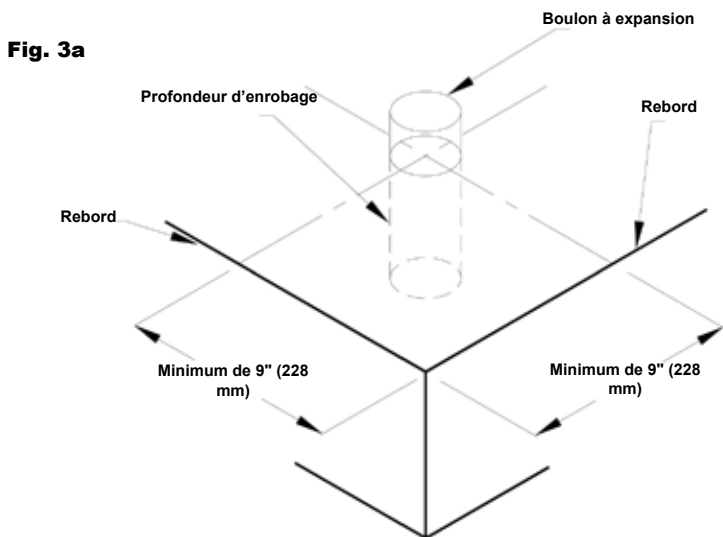
Dans le choix d'un emplacement, s'assurer qu'il y a un minimum de 9" (228 mm) à partir de tous les rebords et des joints de retrait (voir Fig. 3a).

MISE EN GARDE : Ne pas poser l'ancrage à boulon en D pour béton à moins de 9" (228 mm) de tout rebord ni poser dans du béton qui est craquelé, endommagé, brisé ou détérioré.

1. Percer avec un marteau un trou de 5/8" (15,9 mm) jusqu'à une profondeur d'enrobage minimale de 4 5/8" (117,5 mm) (voir Fig. 3b).
2. Extraire tous les débris du trou (voir Fig. 3c).
3. Pour protéger le filetage durant la pose, placer l'écrou sur le boulon d'expansion. Ensuite, insérer le boulon dans l'orifice jusqu'à ce qu'il reste une longueur de 1-7/16 (36,5 mm) à 1-3/4 po (44,45 mm) du montant au-dessus de la surface (voir Fig. 3d).
4. Retirer l'écrou et poser l'ancrage en D au boulon. Puis, poser la rondelle plate, suivie de la rondelle de blocage et de l'écrou. NOTA : Au moins 2 filets doivent paraître au-dessus de l'écrou après le montage. Serrer suivant un couple entre 80 et 85 lb-pi (voir Fig. 3e).

MISE EN GARDE : Ne pas trop serrer. Une tension excessive peut endommager le système d'ancrage.

Pour retirer : S'il est posé dans un trou sans fond, l'ancrage en D peut être retiré et le boulon peut être enfoncé à égalité avec la surface après usage.



4.0 Inspection et Entretien

Inspection

Les connecteurs d'ancrage Miller sont conçus pour les environnements de travail rigoureux d'aujourd'hui. Pour conserver leur durée de vie et leur grande efficacité, vérifier fréquemment tous les composants. **Les connecteurs d'ancrage doivent être inspectés visuellement par l'utilisateur avant chaque utilisation et inspectés régulièrement par une personne compétente.**

Inspecter le produit pour voir s'il présente l'une ou l'autre de ces anomalies : pièces pliées, craquelées, déformées, usées, défectueuses ou endommagées; attaches lâches ou pièces/composants manquants; détérioration; déformation; corrosion; signes indiquant que le produit a été soumis à un arrêt de chute; ou toute autre indication de dommage/problèmes susceptibles de nuire à l'intégrité et au fonctionnement du produit. En cas de doute, communiquer avec le fabricant.

Les dispositifs qui ne sont pas acceptés à l'inspection ou qui ont été soumis à des forces d'arrêt de chute doivent être retirés du service.

Nettoyage et Entreposage

En apportant un soin élémentaire à l'équipement de protection antichute Miller, on prolongera la durée utile de l'élément et en assurera l'efficacité. Nettoyer périodiquement le dispositif pour le débarrasser de toute saleté, peinture, éléments corrosifs, contaminants ou autre matière pouvant s'y être accumulés. Lorsqu'il n'est pas en usage, le remettre dans un endroit propre, sec, et non exposé aux émanations ou éléments corrosifs.

Entretien

Les réparations doivent être effectuées uniquement par le fabricant de l'équipement, ou par des personnes ou entités autorisées par écrit par le fabricant. On doit tenir un registre de toutes les dates d'entretien et d'inspection pour ce dispositif. Seules les pièces de rechange Miller d'origine sont approuvées pour être utilisées dans ce dispositif. Les dispositifs non réparables qui échouent à l'inspection doivent être éliminés pour éviter qu'on ne les utilise ultérieurement par inadvertance. Si vous avez des questions, communiquez avec les Services techniques Miller, au 1-800-873-5242.

Gracias

Le agradecemos su compra de equipo anticaídas Miller. Los productos de la marca Miller son manufacturados para cumplir con las más altas normas de calidad en nuestra fábrica, la cual posee la certificación ISO 9001. Cuidados como es debido, los equipos anticaídas Miller le servirán muchos años.

ADVERTENCIA

Toda persona que use este equipo debe leer, comprender y seguir cabalmente todas las instrucciones. No hacerlo podría tener como consecuencia lesiones graves o mortales. No use este equipo si no ha sido debidamente entrenado.

¿Consultas?

LLAMAR AL
1.800.873.5242

Es fundamental que la persona o usuario autorizado de este equipo anticaídas lea y comprenda las presentes instrucciones. Además, es responsabilidad del empleador que todos los usuarios hayan recibido capacitación para usar, inspeccionar y dar el debido mantenimiento al equipo anticaídas. La capacitación anticaídas debe ser parte integral de un programa completo de seguridad.

La utilización correcta de los sistemas de detención de caídas puede salvar vidas y disminuir las posibilidades de lesiones graves en caso de una caída. Los usuarios deben estar conscientes de que las fuerzas ejercidas para detener una caída o durante una suspensión prolongada pueden causar lesiones. Consulte a un médico en caso de duda sobre la capacidad del usuario para emplear este producto. Las mujeres embarazadas y los niños no deben usar este producto.

1.0 Requisitos Generales, Advertencias y Limitaciones

Deben suministrarse a las personas y usuarios autorizados todas las advertencias e instrucciones.

Todas las personas y usuarios autorizados deben consultar los reglamentos de seguridad laboral y las normas ANSI o CSA que correspondan. Las etiquetas del producto contienen información sobre los reglamentos OSHA y las normas ANSI y CSA que cumple el producto.

Siempre deben tomarse las debidas precauciones al retirar del área de trabajo obstrucciones, basura, material y otros peligros reconocidos que pudieran causar lesiones o interferir en el funcionamiento del sistema.

Todo el equipo debe ser inspeccionado visualmente antes de cada uso de conformidad con las instrucciones del fabricante.

Todo el equipo debe ser inspeccionado con regularidad por una persona calificada.

A fin de reducir al mínimo las posibilidades de un desenganche accidental, una persona

competente debe garantizar la compatibilidad del sistema.

El equipo no debe ser alterado de ninguna forma.

Las reparaciones deben ser efectuadas exclusivamente por el fabricante del equipo o bien por personas o entidades autorizadas por escrito por el fabricante.

Todo producto con deformidades, desgaste anormal o deterioro debe ser desechado de inmediato.

Todo equipo sometido a una caída debe ser puesto fuera de servicio.

El usuario debe contar con un plan y medios de rescate a mano para poder aplicarlos al usar este equipo.

Jamás lo utilice para fines distintos al proyectado. No use jamás el equipo para remolcar o izar objetos.

No debe exponerse el equipo a peligros ambientales ni a sustancias químicas que puedan producir un efecto perjudicial.

El uso del equipo en un entorno corrosivo o cáustico exige un programa de inspecciones y servicio más frecuentes para garantizar la integridad continuada del producto.

No permita que la cuerda o el tejido entren en contacto con cualquier cosa que pueda dañarlos, como superficies afiladas, abrasivas, ásperas o a alta temperatura, soldadura, fuentes de calor, peligros eléctricos o maquinaria en movimiento.

Debe protegerse todo el material sintético con el objeto de mantenerlo alejado de escorias, No esponga el equipo a ningún peligro que no

pueda soportar según su diseño de fabricación. En caso de duda consulte al fabricante.

Siempre revise para ver si hay obstrucciones abajo del área de trabajo con el fin de asegurarse de que esté despejada la trayectoria de una posible caída.

Deje una distancia segura de caída adecuada abajo de la superficie de trabajo.

Nunca desprenda etiquetas de los productos, las cuales pueden incluir importantes advertencias e información para la persona o usuario autorizado.

2.0 Compatibilidad del Sistema

Los productos anticaídas Miller están fabricados para usarse con componentes aprobados por dicha compañía. La sustitución o reemplazo de dichos componentes con combinaciones no aprobadas de componentes o subsistemas, puede afectar o interferir en el funcionamiento seguro de cada componente y poner en peligro la compatibilidad dentro del sistema. Esta incompatibilidad puede afectar la fiabilidad y seguridad del sistema total.

2.1 Grupos de Productos Anticaídas Miller

Un programa integral anticaídas debe ser visto como un "sistema total" que comienza con el reconocimiento del peligro y culmina con una revisión administrativa continua. Miller Fall Protection considera sus productos como "un sistema dentro de un sistema". Tres componentes principales del "sistema Miller" deben estar en su lugar y usarse debidamente para que puedan proporcionar la máxima protección al trabajador.

A. PUNTO DE ANCLAJE / CONECTOR DE ANCLAJE

El primer componente es el punto de anclaje / conector de anclaje. El punto de anclaje, también conocido como punto de amarre, es un punto seguro utilizado para fijar los dispositivos de conexión y debe ser capaz resistir 5000 lb (22.2 kN) por trabajador o cumplir con los requisitos de la norma OSHA 1926.502 para un factor de seguridad de dos, como los de una viga "I" u otra estructura de soporte. A veces se requieren conectores de anclaje, por ejemplo, correas para travesaños y pernos de argolla, para que las conexiones sean compatibles entre el dispositivo de conexión y el punto de anclaje.

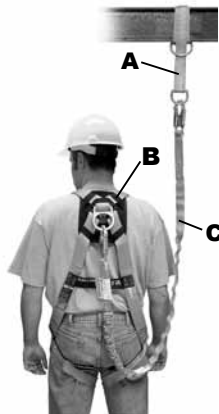
B. APAREJO

El segundo componente del sistema es el equipo de protección personal que traen puesto los trabajadores mientras realizan su labor. Miller Fall Protection fabrica arneses de cuerpo entero, cinturones de posicionamiento y cinturones para entornos de trabajo específicos. Los arneses de cuerpo entero están diseñados para contribuir a la parada de una caída libre y se deben usar siempre que el trabajador esté expuesto a una posible caída libre. Para reducir al mínimo las fuerzas de la caída, el arnés de cuerpo entero se debe usar conjuntamente con un equipo amortiguador de impacto. Es imperativo usar el arnés como es debido.

C. DISPOSITIVO DE CONEXIÓN

El último componente del sistema es el dispositivo de conexión. La característica más importante del dispositivo de conexión es el amortiguador de impacto incorporado. Independientemente de que dicho dispositivo sea una cuerda de seguridad con amortiguador de impacto o una cuerda salvavidas retráctil, ambas están diseñadas para reducir de manera impresionante las fuerzas ejercidas para detener la caída. Las cuerdas de seguridad de fibra, tejidas o de alambre usadas para la detención de caídas DE-BEN usarse conjuntamente con un amortiguador de impacto (por ejemplo, el paquete Miller SofStop).

De manera individual, ninguno de estos componentes ofrece protección contra una caída. Usados en conjunto como es debido, conforman el "sistema Miller" y se convierten en una parte de vital importancia del "sistema completo de protección contra caídas".



3.0 Instalación de los Conectores de Anclaje

Advertencias, limitaciones y requisitos de instalación referentes a todos los conectores de anclaje

Antes de instalar cualquier conector de anclaje, inspecciónelo cuidadosamente para asegurarse de que se encuentre en condiciones de ser usado. Verifique que no haya piezas faltantes o deterioradas. No use este equipo si cualquier componente no funciona correctamente o la unidad parece estar dañada de cualquier forma. Consulte la sección sobre inspección de este manual.

Sólo personal entrenado y competente debe instalar y utilizar este equipo.

Asegúrese de que la altura del punto de anclaje limite la distancia de caída libre a 1.8 m (6 pies) o menos.

Siempre trabaje directamente bajo el punto de anclaje para evitar una lesión por caída columpiada.

Asegúrese de que el conector de anclaje se encuentre a una altura tal que, en caso de una caída, no haga impacto en un nivel inferior. Al seleccionar un punto de anclaje, siempre recuerde que los amortiguadores de impacto se estiran al ser sometidos a las fuerzas de detención de caída. Consulte las etiquetas e instrucciones suministradas con el dispositivo de conexión para obtener la distancia máxima de estiramiento.

Los sistemas para detención de caídas utilizados con el conector de anclaje deben equiparse de conformidad con los requisitos establecidos. [Es preciso leer, comprender y seguir las instrucciones y advertencias suministradas con el sistema personal para detención de caídas.]

Asegúrese de que todas las conexiones del sistema para detención de caídas sean compatibles.

El conector de anclaje debe ser compatible con el gancho de resorte o con el mosquetón del dispositivo de conexión, y no debe aplicar ninguna carga en el retén o linguete.

Sólo utilice mosquetones aseguradores, ganchos aseguradores de resorte u otros conectores o dispositivos de conexión aprobados por Miller para unirlos a este equipo.

Jamás use un conector de anclaje que impida el cierre del gancho de resorte o del retén o linguete del mosquetón.

El conector de anclaje es **SOLAMENTE PARA UNA PERSONA**.

Todos los conectores de anclaje incluidos en este manual tienen 22.2 kN (5,000 lb) de resistencia mínima a la tracción.

La estructura a la que se fije este producto debe ser capaz de soportar 22.2 kN (5,000 lb) de carga de tracción u ofrecer un factor de seguridad de 2:1 en la dirección del tirón.

Los requisitos para el anclaje basados en las normas ANSI son como sigue:

- Para los sistemas de detención de caídas, los anclajes deben poder soportar una carga estática de 5,000 lb (22.2 kN) en el caso anclajes no certificados o dos veces la fuerza de detención máxima en el caso de anclajes certificados.
- Para los sistemas de detención de posicionamiento, los anclajes deben poder soportar una carga estática de 3,000 lb (13.3 kN) en el caso anclajes no certificados o dos veces la fuerza previsible en el caso de anclajes certificados.
- Para limitación de desplazamiento, los anclajes deben poder soportar una carga estática de 1,000 lb (4.5 kN) en el caso anclajes no certificados o dos veces la fuerza previsible en el caso de anclajes certificados.
- Para los sistemas de rescate, los anclajes deben poder soportar una carga estática de 3,000 lb (13.3 kN) en el caso anclajes no certificados o cinco veces la carga aplicada en el caso de anclajes certificados.
- Cuando se sujeta más de un sistema personal de detención de caídas a un anclaje, se deben multiplicar las fuerzas de anclaje indicadas arriba por el número de sistemas sujetos a dicho anclaje.

La argolla “D” montada (410), las anclas “D” de perno (415, 416/417, 416SS/417SS, 418/419 y 418SS/419SS) y el ancla “D” de perno para concreto (417C) cumplen las normas de OSHA y ANSI A10.32 & Z359.1 [140.6 kg (310 lb)].

[Nota: Si el sistema es utilizado por un trabajador con un peso total (cuerpo y herramientas) entre 140.6 kg (310 lb) y 181.4 kg (400 lb), entonces el empleador debe modificar como corresponda los criterios y protocolos a fin de proporcionar la debida protección para tales pesos más pesados, o el sistema no se considerará estar en cumplimiento de los requisitos de la norma OSHA 1926.502(d)(16).]

3.1 Ancla de argolla “D” montada (410)

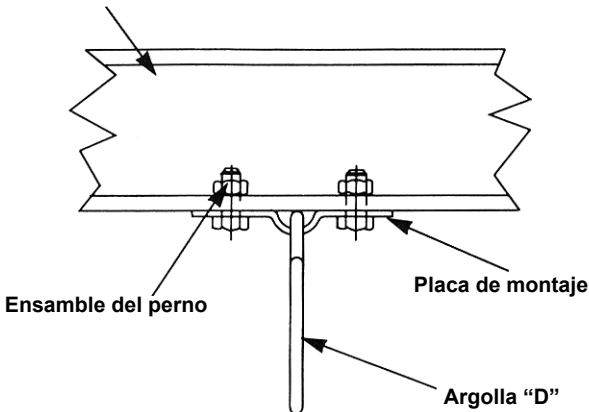
Advertencias y Limitaciones

- UNA sola persona únicamente. La capacidad máxima es 181.4kg (400 lb), incluidas las herramientas. — **NO EXCEDA ESTE PESO.**
- Con estas anclas use sólo pernos y piezas fijadoras aprobados por Miller.
- El Ancla “D” de argolla montada (410), sólo debe ser instalada en superficies horizontales elevadas sobre la cabeza. Las instalaciones para otras aplicaciones deben ser aprobadas por Miller Fall Protection.
- El Ancla “D” de argolla montada (410), está aprobada solamente para utilizarse como conector de anclaje para un solo usuario, y no debe ser utilizada como parte de ningún sistema de cuerda salvavidas horizontal.



Núm. de modelo	Descripción	Material	Peso
410	Ancla de argolla “D” con placa de montaje, 4 pernos de 3/8” x 3-1/2” de grado 5, 4 tuercas de 3/8” y 4 arandelas de seguridad de 3/8”	Aleación de acero forjado por estampación	1 lb. 9.6 oz. (0.7kg)

Anclaje / estructura



Instalación

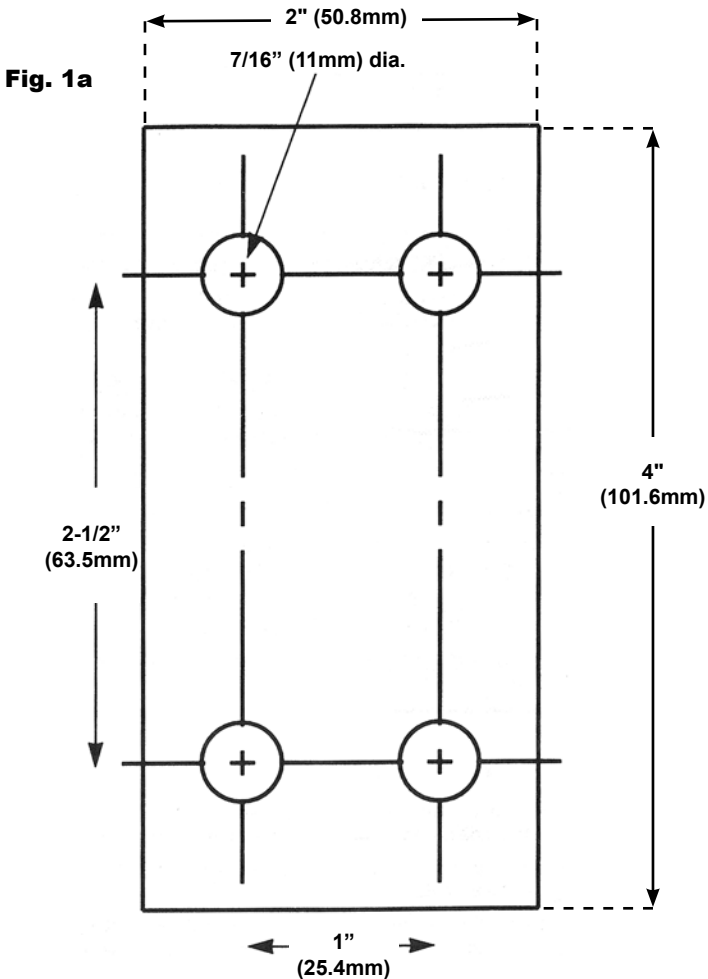
1. Localice e identifique un anclaje o estructura compatible aprobado. Asegúrese de que el lugar de montaje esté limpio y libre de basura.
2. Guiándose con una copia de la plantilla suministrada (vea fig. 1a), taladre cuatro (4) agujeros de 7/16” (11mm) de diámetro en la estructura. Debe dejarse suficiente espacio para apretar todos los pernos y tuercas.
3. Coloque la placa de montaje a través de la argolla “D”, centrando la barra de ésta en la placa.
4. Coloque la placa de montaje sobre los agujeros taladrados en la estructura. Coloque un perno a través de uno de los agujeros de la placa y del agujero correspondiente de la estructura. Coloque la arandela de seguridad y la tuerca en el perno, sin apretarlos completamente. Repita la operación con los tres pernos restantes.

5. Apriete completamente los pernos a un par de torsión de 27 a 34 N•m (20 a 25 lb•pie).
Asegúrese de que toda la tuerca esté enroscada en el perno y de que el dispositivo esté fijo de manera segura en la estructura.

ADVERTENCIA: No aplique un apriete excesivo. Un apriete excesivo puede causar daños al sistema de anclaje.

Remoción: Para desmontar la argolla "D" y la placa de montaje del anclaje o estructura, afloje y retire todas las tuercas, arandelas de seguridad y pernos.

PLANTILLA DE TALADRADO PARA MONTAR EL ANCLA DE ARGOLLA "D"



Tamaño natural

3.2 Ancla “D” de perno (415, 416/417, 416SS/417SS, 418/419, 418SS/419SS)

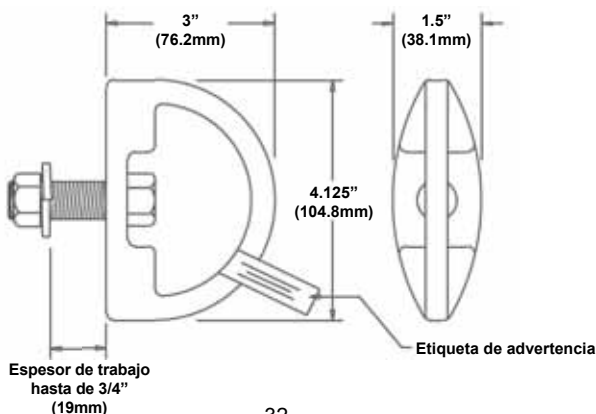
Advertencias y Limitaciones

- UNA sola persona únicamente. La capacidad máxima es 181.4kg (400 lb), incluidas las herramientas. — NO EXCEDA ESTE PESO.
- Con estas anclas use sólo pernos y piezas fijadoras aprobados por Miller. En el caso de los modelos 417, 417SS, 419 y 419SS el usuario debe proporcionar un perno de 5/8” de grado 8/18-8 para el ancla “D” de perno 417 y 417SS o un perno de 3/4” de grado 8/18-8 para el ancla “D” de perno 419 y 419SS.
- Las Anclas “D” de perno (415, 416, 416SS, 417, 417SS, 418, 418SS, 419 y 419SS), pueden ser instaladas en superficies verticales u horizontales elevadas sobre la cabeza. Las instalaciones para otras aplicaciones deben ser aprobadas por Miller Fall Protection.
- Las Anclas “D” de perno, modelo 415, están aprobadas solamente para utilizarse como conectores de anclaje para un solo usuario, y no deben ser utilizadas como anclajes finales en ningún sistema de cuerda salvavidas horizontal. Las Anclas “D” de perno, modelos 416, 416SS, 417, 417SS, 418, 418SS, 419 y 419SS, están aprobadas para ser utilizadas con los Sistemas de cuerda salvavidas horizontal SkyGrip™, TechLine™ y Titan WebLine™ de Miller. Cualesquiera otras aplicaciones deben ser aprobadas por Miller.

Modelo 415



Núm. de modelo	Descripción	Material	Peso
415	Ancla “D” de perno con piezas varias (perno de 1/2” grado 8, arandela de seg. y tuerca); para espesores hasta de 19 mm (3/4”)	Aleación de acero forjado por estampación	1 lb. 5 oz. (0.6kg)

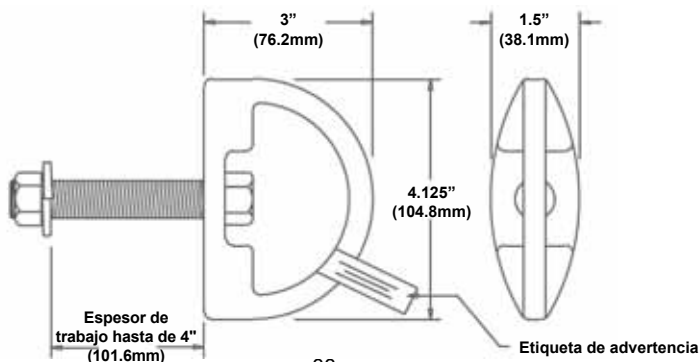


Modelos 416 & 418

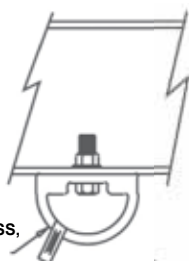


Núm. de modelo	Descripción	Material	Peso
416	Ancla "D" de perno con piezas varias (perno de 5/8" grado 8, arandela de seg. y tuerca); para espesores hasta de 101.6 mm (4")	Aleación de acero forjado por estampación	1 lb. 8 oz. (0.7kg)
416SS	Ancla "D" de perno con piezas varias (perno de 5/8" grado 18-8, arandela de seg. y tuerca); para espesores hasta de 101.6 mm (4")	Acero inoxidable	1 lb. 8 oz. (0.7kg)
417*	Ancla "D" de perno sin piezas varias (Nota: El usuario proporciona las piezas de montaje: perno de 5/8" grado 8, arandela de seg. y tuerca.)	Aleación de acero forjado por estampación	14.7 oz. (0.4kg)
417SS*	Ancla "D" de perno sin piezas varias (Nota: El usuario proporciona las piezas de montaje: perno de 5/8" grado 18-8, arandela de seg. y tuerca.)	Acero inoxidable	14.7 oz. (0.4kg)
418	Ancla "D" de perno con piezas varias (perno de 3/4" grado 8, arandela de seg. y tuerca); para espesores hasta de 101.6 mm (4")	Aleación de acero forjado por estampación	1 lb. 8 oz. (0.7kg)
418SS	Ancla "D" de perno con piezas varias (perno de 3/4" grado 18-8, arandela de seg. y tuerca); para espesores hasta de 101.6 mm (4")	Acero inoxidable	1 lb. 8 oz. (0.7kg)
419*	Ancla "D" de perno sin piezas varias (Nota: El usuario proporciona las piezas de montaje: perno de 3/4" grado 8, arandela de seg. y tuerca.)	Aleación de acero forjado por estampación	1 lb. (0.5kg)
419SS*	Ancla "D" de perno sin piezas varias (Nota: El usuario proporciona las piezas de montaje: perno de 3/4" grado 18-8, arandela de seg. y tuerca.)	Acero inoxidable	1 lb. (0.5kg)

*La longitud del perno puede variar para dar acomodo a varios espesores.



Instalación

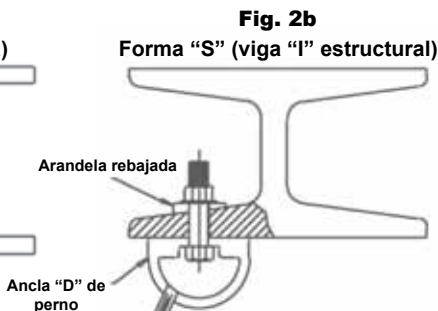
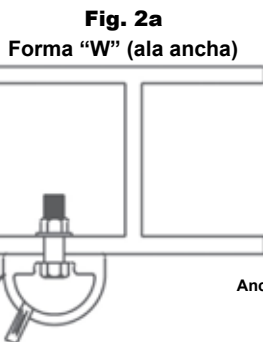


415, 416/417, 416SS/417SS,
418/419, 418SS/419SS
Ancla "D" de perno

1. Localice e identifique un anclaje o estructura compatible aprobado. Asegúrese de que el lugar de montaje esté limpio y libre de basura.
2. Localice o taladre un agujero de tamaño adecuado según la tabla mostrada abajo. Debe dejarse suficiente espacio para colocar la arandela de seguridad y apretar la tuerca.

Modelo	Tamaño del agujero
415	14 mm (17/32") de diám.
416/416SS/417/417SS	17 mm (21/32") de diám.
418/418SS/419/419SS	20 mm (25/32") de diám.

ADVERTENCIA: En el caso de anclas "D" de perno instaladas en vigas "W", el agujero de montaje debe taladrarse perpendicularmente al ala de la viga (ver fig. 2a). En el caso de anclas "D" de perno que van a instalarse en vigas de forma "S", los agujeros deben taladrarse perpendicularmente al ala de la viga y debe usarse una arandela rebajada (es decir, con bisel, chaflán o en forma de cuña) para asegurarse de que el perno del ancla "D" y/o la tuerca y la arandela asienten a escuadra contra la superficie de la viga (ver fig. 2b).



3. Montaje del ancla "D" de perno (415)

Para montar el ancla "D" de perno 415 pase un perno aprobado de 1/2" de grado 8 por el agujero del conector y por el agujero de la estructura. Coloque la arandela de seguridad y la tuerca.

Montaje del ancla "D" de perno (416/416SS/417/417SS)

Para montar el ancla "D" de perno 416/416SS/417/417SS pase un perno aprobado de 5/8" de grado 8/18-8 por el agujero del conector y por el agujero de la estructura. Coloque la arandela de seguridad y la tuerca.

Montaje del ancla "D" de perno (418/418SS/419/419SS)

Para montar el ancla "D" de perno 418/418SS/419/419SS pase un perno aprobado de 3/4" de grado 8/18-8 por el agujero del conector y por el agujero de la estructura. Coloque la arandela de seguridad y la tuerca.

4. Apriete el perno completamente al par de torsión recomendado según la tabla mostrada abajo. Asegúrese de que toda la tuerca esté enroscada en el perno y de que el dispositivo esté fijo de manera segura en la estructura.

Modelo	Valores de torque
415	65-75 ft. lbs.
416/417	125 ft. lbs.
416SS/417SS	90-100 ft. lbs.
418/419	185-195 ft. lbs.
418SS/419SS	125-135 ft. lbs.

ADVERTENCIA: No aplique un apriete excesivo. Un apriete excesivo puede causar daños al sistema de anclaje.

Remoción: Afloje y retire la tuerca y la arandela. Después retire el ancla "D" de perno del anclaje o estructura.

3.3 Ancla “D” de perno (417C)

Advertencias y Limitaciones

- UNA sola persona únicamente. La capacidad máxima es 140.6kg (310 lb), incluidas las herramientas. — **NO EXCEDA ESTE PESO.**
- Con estas anclas use sólo pernos y piezas fijadoras aprobados por Miller.
- El ancla “D” de perno para concreto Miller 417C sólo debe ser instalada en concreto completamente fraguado de peso normal con una resistencia a la compresión de 13.8 MPa (2000 psi).
- El Ancla “D” de perno para concreto, modelo 417C, puede ser instalada en superficies verticales o elevadas horizontales sobre la cabeza. Las instalaciones para otras aplicaciones deben ser aprobadas por Miller Fall Protection.
- Antes de utilizar el Ancla “D” 417C de perno para concreto, en cualquier aplicación de cuerda salvavidas horizontal, siempre contacte a Miller Fall Protection para obtener su aprobación.



Núm. de modelo	Descripción	Material	Peso
417C	Ancla “D” de perno con perno de expansión para concreto (16 mm x 152 mm (5/8” x 6”) con arandela de seguridad de 16 mm (5/8”))	Aleación de acero forjado por estampación	1 lb. 4 oz. (0.6kg)

Instalación

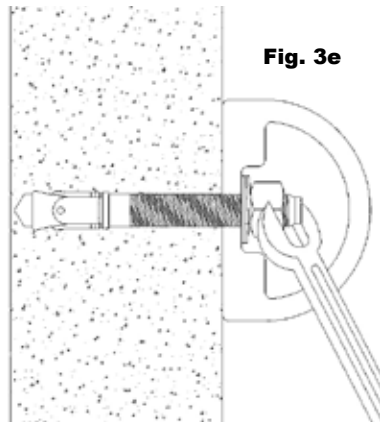
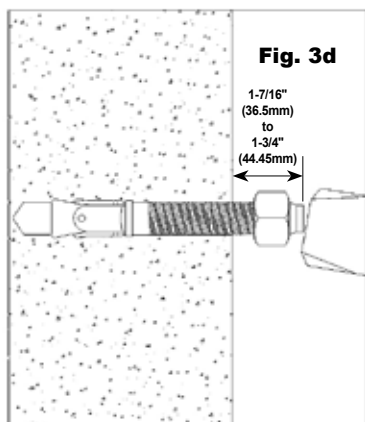
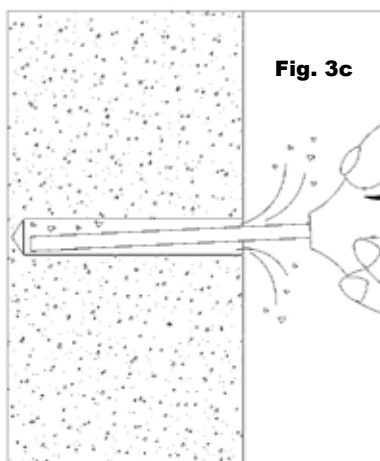
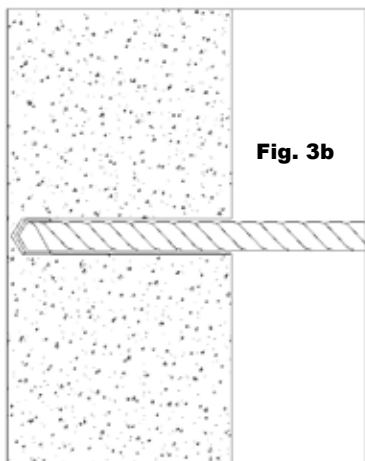
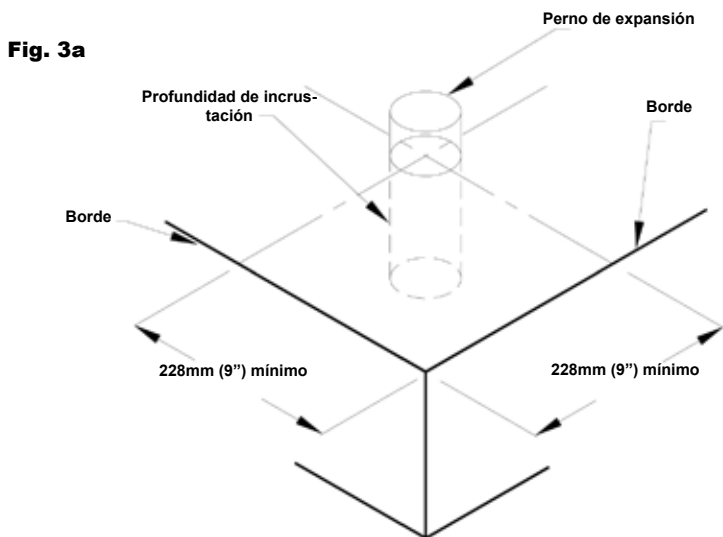
Al considerar el lugar de instalación, asegúrese de que haya como mínimo 228 mm (9”) desde todos los bordes y uniones de control (ver fig. 3a).

ADVERTENCIA: No instale el ancla “D” de perno para concreto a menos de 228 mm (9”) de los bordes, ni la instale en concreto que esté rajado, dañado, roto o deteriorado.

1. Con un taladro percutor taladre un agujero de 117.5 mm (4-5/8”) como mínimo de profundidad de incrustación (ver fig. 3b).
2. Elimine todo el escombros del agujero con una pera sopladora (ver fig. 3c).
3. Para proteger la rosca del perno durante la instalación coloque la tuerca en el perno de expansión. Luego atornille el perno en el orificio hasta que queden sobre la superficie, de 1-7/16 de pulgada (36.5mm) a 1-3/4 de pulgada (44.45mm) del tornillo (ver fig. 3d).
4. Retire la tuerca y coloque el ancla “D” en el perno. Después coloque la arandela plana y en seguida la arandela de seguridad y la tuerca. NOTA: Después del montaje deben sobresalir 2 vueltas de la rosca por lo menos. Aplique un par de torsión de 108 a 115 N•m (80 a 85 lb•pie) (ver fig. 3e).

ADVERTENCIA: No aplique un apriete excesivo. Un apriete excesivo puede causar daños al sistema de anclaje.

Remoción: Si la instalación se realizó en un agujero sin fondo, después de usarse el ancla “D” puede retirarse y el perno puede introducirse hasta dejarlo a ras con la superficie.



4.0 Inspección y Mantenimiento

Inspección

Los conectores de anclaje Miller están fabricadas para los rudos ambientes de trabajo de hoy en día. Para mantener su vida útil y gran desempeño, todos los componentes deben inspeccionarse con frecuencia. **Los conectores de anclaje deben ser inspeccionados visualmente por el usuario antes de cada uso y deben ser inspeccionados periódicamente por una persona competente.**

Inspeccione el producto para ver si tiene cualquiera de los siguientes defectos: está doblado, agrietado, distorsionado, desgastado, funciona mal o tiene partes dañadas; deformación; corrosión; elementos de unión sueltos o partes o componentes faltantes; deterioro; señales de que el producto ha sido sujeto a una detención de caída; o cualquier otra indicación de daños o problemas que puedan afectar la integridad y desempeño del producto. Si tiene dudas comuníquese con el fabricante.

Los dispositivos que no pasen la inspección o hayan sido sometidos a fuerzas de detención de caída deben retirarse del servicio.

Limpieza y Almacenamiento

Con un cuidado básico de todo el equipo Miller Fall Protection se prolonga la vida de servicio de la unidad y se contribuye al correcto desempeño de su vital función de seguridad. Limpie periódicamente el producto para eliminar toda suciedad, pintura, corrosivos, contaminantes y otros materiales que puedan haberse acumulado. Cuando no se tenga en uso, guarde el producto en un área limpia, seca y carente de exposición a emanaciones y agentes corrosivos.

Servicio

Las reparaciones deben ser efectuadas exclusivamente por el fabricante del equipo o bien por personas o entidades autorizadas por escrito por el fabricante. Debe llevarse un registro con todas las fechas de servicio e inspecciones realizados al dispositivo. Sólo las piezas de repuesto originales de Miller se aprueban para ser usadas en este dispositivo. Aquellos dispositivos no reparables que no pasen la inspección deben desecharse de tal manera que se prevenga su posterior uso por accidente. Si tiene preguntas comuníquese con el Depto. de Servicios Técnicos de Miller, llamando al 1-800-873-5242.

Product Labels

Étiquettes de Produit

Etiquetas del Producto

<p>⚠ WARNING</p> <p>All persons using this equipment must read, understand, and follow all instructions. Failure to do so may result in serious injury or death.</p> <p>1-800-873-5242 LB287 REV. C</p> <p>MILLER by Honeywell</p>	<p>⚠ WARNING</p> <p>All persons using this equipment must read, understand, and follow all instructions. Failure to do so may result in serious injury or death.</p> <p>1-800-873-5242 LB287 REV. C</p> <p>MILLER by Honeywell</p>
--	--

Inspection and Maintenance Log

Registre D'inspection et D'entretien

Registro de Inspección y Mantenimiento

DATE OF MANUFACTURE: _____
 DATE DE FABRICATION / FECHA DE FABRICACIÓN

MODEL NUMBER: _____
 NUMÉRO DE MODÈLE / NÚM. DE MODELO

DATE PURCHASED: _____
 DATE D'ACHAT / FECHA DE COMPRA

INSPECTION DATE DATE D'INSPECTION FECHA DE INSPECCIÓN	INSPECTION ITEMS NOTED POINTS NOTÉS LORS DE L'INSPECTION PUNTOS DE INSPECCIÓN RELEVANTES	CORRECTIVE ACTION ACTION CORRECTIVE MEDIDA CORRECTIVA	MAINTENANCE PERFORMED ENTRETIEN EFFECTUÉ MANTENIMIENTO REALIZADO
Approved by: Approuvé par: Aprobado por:			
Approved by: Approuvé par: Aprobado por:			
Approved by: Approuvé par: Aprobado por:			
Approved by: Approuvé par: Aprobado por:			
Approved by: Approuvé par: Aprobado por:			
Approved by: Approuvé par: Aprobado por:			
Approved by: Approuvé par: Aprobado por:			
Approved by: Approuvé par: Aprobado por:			
Approved by: Approuvé par: Aprobado por:			
Approved by: Approuvé par: Aprobado por:			
Approved by: Approuvé par: Aprobado por:			



MILLER® FALL PROTECTION PRODUCTS
TOTAL SATISFACTION ASSURANCE

At Miller Fall Protection, we have been providing quality Miller brand fall protection equipment to millions of workers worldwide since 1945.

LIMITED LIFETIME WARRANTY
BACKED BY OVER 65 YEARS IN THE FALL PROTECTION BUSINESS

We sincerely believe that our fall protection equipment is the best in the world. Our products endure rigorous tests to ensure that the fall protection equipment you trust is manufactured to the highest standards. Miller fall protection products are tested to withstand normal wear and tear, but are not indestructible and can be damaged by misuse. Our Limited Lifetime Warranty does not apply to normal wear and tear or abusive treatment of the product.

In the unlikely event that you should discover defects in either workmanship or materials, under our Limited Lifetime Warranty, we will repair or replace the product at our expense. If a replacement is necessary and your product is no longer available, a comparable product will be substituted. Should a product issue surface, contact us at 800.873.5242.

Manufacturing specifications are subject to change without notice.

PRODUITS MILLER® FALL PROTECTION
ASSURANCE DE SATISFACTION TOTALE

Chez Miller Fall Protection, nous fournissons des équipements de protection contre les chutes de marque Miller de qualité à des millions de travailleurs dans le monde entier depuis 1945.

GARANTIE LIMITÉE À VIE
ASSURÉE GRÂCE À PLUS DE 65 ANS PASSÉS DANS LE DOMAINE DE LA PROTECTION CONTRE LES CHUTES

Nous croyons sincèrement que notre équipement de protection contre les chutes est le meilleur au monde. Nos produits sont soumis à des tests rigoureux, afin d'assurer que les équipements de protection contre les chutes dans lesquels vous avez confiance sont fabriqués selon les normes les plus exigeantes. Les produits de protection contre les chutes Miller sont soumis à des essais pour vérifier qu'ils résistent à une usure normale; ils ne sont cependant pas indestructibles et peuvent s'endommager en cas de mauvaise utilisation. Notre garantie limitée à vie ne s'applique pas à l'usure normale ou à un usage abusif du produit.

Dans le cas peu probable où vous découvririez des défauts, soit de fabrication, soit de matériau, dans le cadre de notre garantie à vie, nous réparerons ou remplacerons le produit à nos frais. En cas de remplacement, si votre produit n'est plus offert, vous recevrez un produit comparable. En cas de problème sur un produit, nous contacter au 800-873-5242.

Les caractéristiques de fabrication peuvent être modifiées sans préavis.

PRODUCTOS ANTICAÍDAS MILLER®
GARANTÍA DE SATISFACCIÓN TOTAL

En Miller Fall Protection, venimos suministrando desde 1945 los equipos de protección anticaídas con la calidad Miller a millones de trabajadores en todo el mundo.

GARANTÍA LIMITADA DE POR VIDA
NOS RESPALDAN MÁS DE 65 AÑOS EN LA FABRICACIÓN DE EQUIPO ANTICAÍDAS

Sinceramente creemos que su equipo de protección contra caídas es el mejor del mundo. Nuestros productos resisten rigurosas pruebas para garantizar que el equipo de protección contra caídas en el que usted confía está fabricado de conformidad con las normas más elevadas. Los productos anticaídas Miller son sometidos a pruebas para que resistan el desgaste normal, pero no son indestructibles y su incorrecta utilización puede dañarlos.

Nuestra Garantía limitada de por vida no se aplica al desgaste normal ni al maltrato del producto.

En el poco probable caso de que usted descubriera defectos de mano de obra o materiales, por nuestra Garantía limitada de por vida, repararemos o sustituiremos el producto por cuenta nuestra. Si un reemplazo es necesario y nuestro producto ya no está disponible, se lo sustituiremos por otro comparable.

En caso de que surja un problema con el producto, contáctenos al 800.873.5242.

Las especificaciones de fabricación están sujetas a modificaciones sin previo aviso.



by Honeywell

Toll Free: 800.873.5242
Fax: 800.892.4078

Download this manual at: www.millerfallprotection.com
Téléchargez ce manuel à l'adresse: www.millerfallprotection.com
Puede bajar por Internet este manual en: www.millerfallprotection.com

Honeywell Safety Products
P.O. Box 271, 1345 15th Street
Franklin, PA 16323 USA