

Miller 5,000 lb. (5K) Zinc-Plated Swivel Anchors

Description

Miller 5K Zinc-Plated Swivel Anchors are designed to be installed on concrete or steel structures. A variety of installation kits are available to meet your application needs.

Materials

Swivel: Zinc-plated steel

Technical

Ultimate

Tensile Strength: 5,000 lbf. (22 kN)

Maximum User Weight: 310 lbs. (140 kg)

Working Load: 1,000 lbs. (454 kg)

Certifications

Meets all ANSI Z359.1-2007, Z359.7-2011 and OSHA 1926.502 requirements.

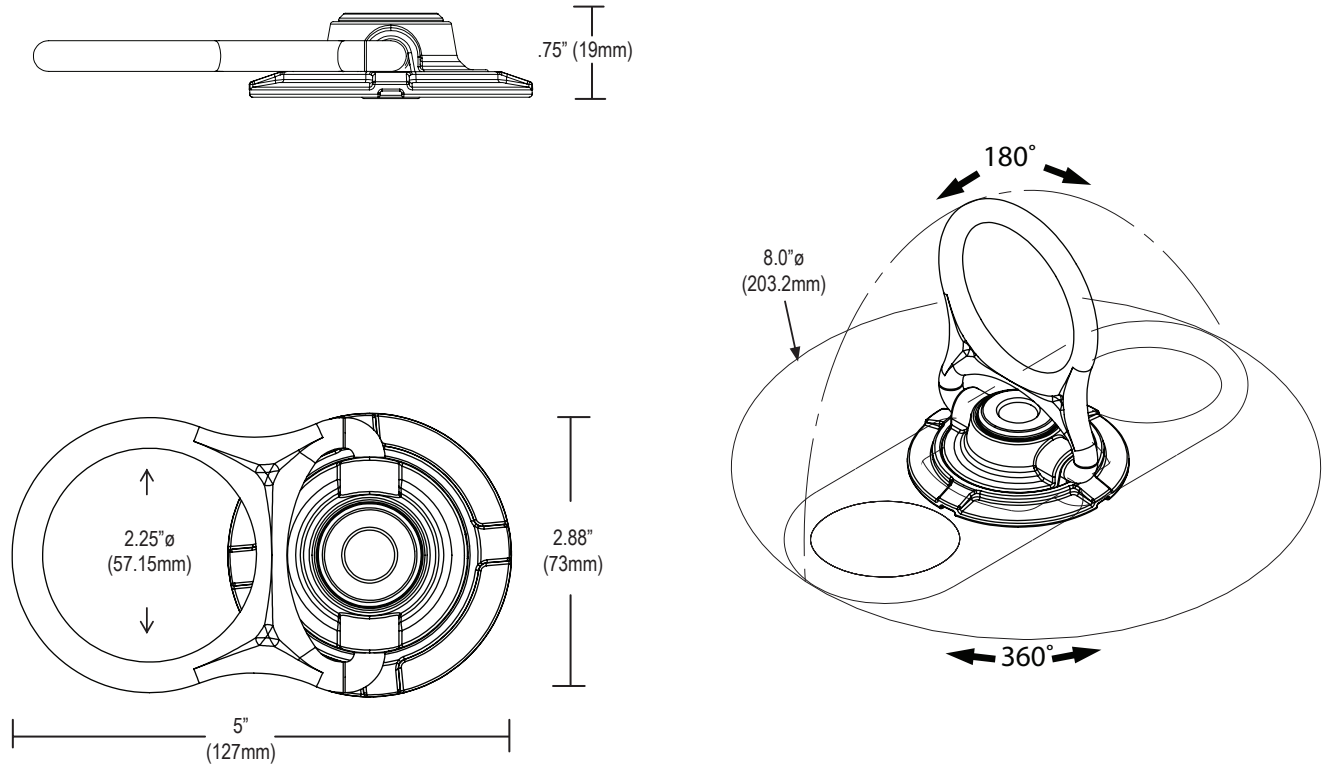


RACSWY050S

5,000 lb. (5K) Zinc Plated Swivel Anchors		
Model Number	Description	Weight
RACSWY050N	5K zinc-plated swivel only (hardware not included)	0.8 lbs. (0.4 kg)
RACSWY050S	5K zinc-plated swivel anchor with steel mounting hardware	1.1 lbs. (0.5 kg)
RACSWY050C	5K zinc-plated swivel anchor with concrete mounting hardware	1.2 lbs. (0.5 kg)
RACSWY2SBA	Steel mounting hardware only (swivel not included) - steel bolt 1/2"-13x4" grade 8 hexagonal head bolt with nylon insert locknut and lock washer steel yellow zinc	N/A
RACSWY2CSA	Concrete mounting only (swivel not included) - concrete bolt 5K 5/8" X 5" concrete sleeve anchor	N/A

Miller 5,000 lb. (5K) Zinc-Plated Swivel Anchors

Drawings and Measurements



Limitless Possibilities. Ask the Expert.

Technical Service: 800.873.5242
www.millerfallprotection.com

Honeywell Industrial Safety

900 Douglas Pike
Smithfield, RI 02917

USA

Phone: 800.430.5490
Fax: 800.322.1330

Canada

Phone: 888.212.7233
Fax: 888.667.8477

⚠ This equipment should only be used after reading and understanding the manufacturer's instructions. Failure to follow instructions could result in serious injury or fatality.