

## Miller 10,000 lb. (10K) Zinc-Plated Swivel Anchors

### Description

Miller 10K Zinc-Plated Swivel Anchors are designed to be installed on concrete or steel structures. A variety of installation kits are available to meet your application needs.

### Materials

Swivel: Zinc-plated steel

### Technical

Ultimate Tensile Strength: 10,000 lbf. (44 kN)  
Maximum User Weight: 310 lbs. (140 kg)  
Working Load: 2,000 lbs. (908 kg)



RACSWY100S

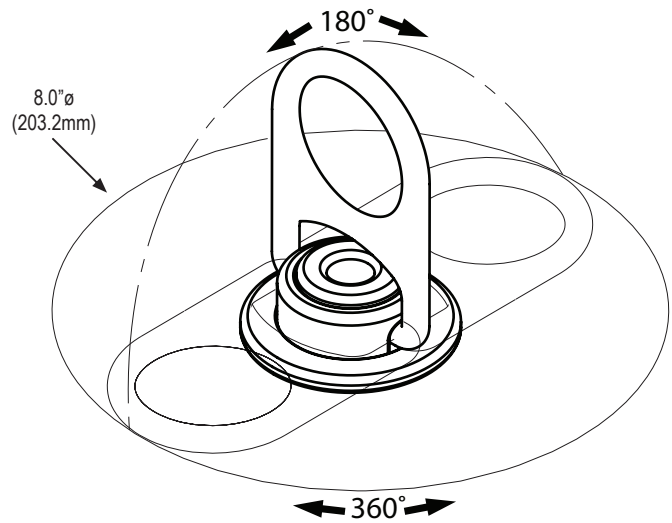
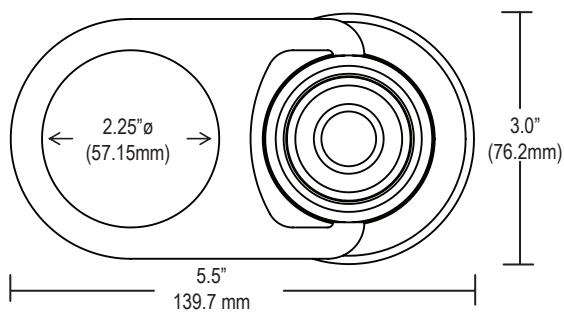
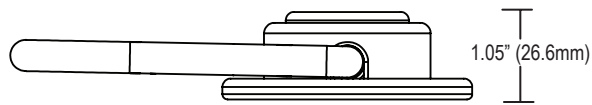
### Certifications

Meets all ANSI Z359.1-2007, Z359.7-2011 and OSHA 1926.502 requirements

10,000 lb. (10K) Zinc Plated Swivel Anchors		
Model Number	Description	Weight
RACSWY100N	10K zinc-plated swivel only (hardware not included)	1.4 lbs. (0.6 kg)
RACSWY100S	10K zinc-plated swivel anchor with steel mounting hardware	1.9 lbs. (0.9 kg)
RACSWY100C	10K zinc-plated swivel anchor with concrete mounting hardware	2.1 lbs. (1.0 kg)
RACSWY1SBA	Steel mounting hardware only (swivel not included) - steel bolt 10K 5/8"-11" x 4" hexagonal cap grade 8 ZN-Y bolt with locknut & lock washer	N/A
RACSWY1CSA	Concrete mounting hardware only (swivel not included) - concrete bolt 10K 3/4" X 5" concrete sleeve anchor	N/A
RACSWP100N-KIT	Weld kit for RACSWY100N - Puck with 5/8"-11" Spirallock® thread & 5/8"-11" x 1.75" grade 8 hexagonal head bolt	2.3 lbs. (1.0 kg)
RACSWX100N	6"x4"x1/4" steel back plate for RACSWY100N - steel bolt not included (steel bolt 5/8"-11" x length dependent on customer hexagonal cap grade 8 ZN-Y bolt with locknut & lock washer)	1.7 lbs. (0.8 kg)

# Miller 10,000 lb. (10K) Zinc-Plated Swivel Anchors

## Drawings and Measurements



**Limitless Possibilities. Ask the Expert.**

Technical Service: 800.873.5242  
[www.millerfallprotection.com](http://www.millerfallprotection.com)

**Honeywell Industrial Safety**

900 Douglas Pike  
Smithfield, RI 02917

**USA**

Phone: 800.430.5490  
Fax: 800.322.1330

**Canada**

Phone: 888.212.7233  
Fax: 888.667.8477

**⚠** This equipment should only be used after reading and understanding the manufacturer's instructions. Failure to follow instructions could result in serious injury or fatality.