

Miller 5,000 lb. (5K) Stainless Steel Swivel Anchors

Description

Miller 5K Stainless Steel Swivel Anchors are designed to be installed on concrete or steel structures. A variety of installation kits are available to meet your application needs.

Materials

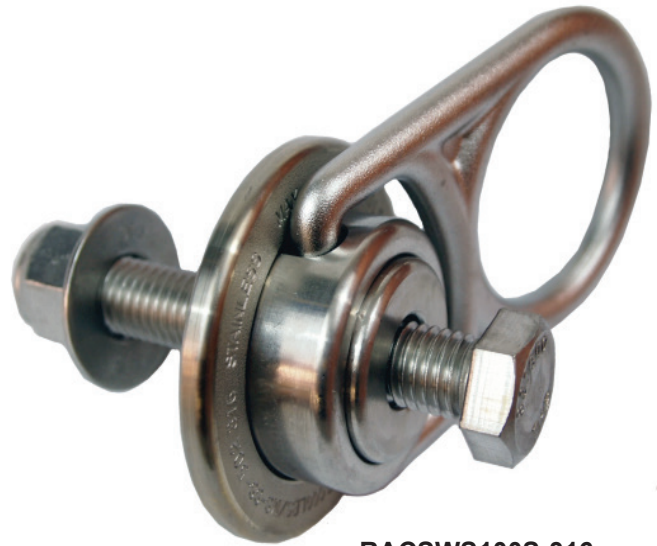
Swivel: Stainless steel

Technical

Ultimate
Tensile Strength: 5,000 lbf. (22 kN)
Maximum User Weight: 310 lbs. (140 kg)
Working Load: 1,000 lbs. (454 kg)

Certifications

Meets all ANSI Z359.1-2007, Z359.7-2011 and OSHA 1926.502 requirements

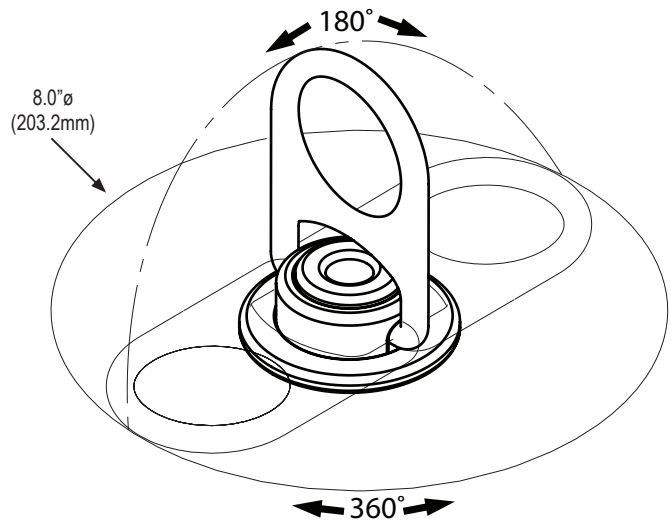
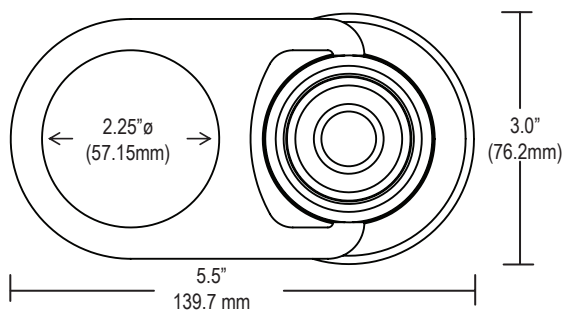
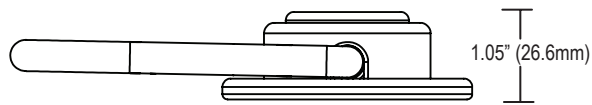


RACSWS100S-316

5,000 lb. (5K) Stainless Steel Swivel Anchors		
Model Number	Description	Weight
RACSWS100N-316	5K stainless steel swivel only (hardware not included)	1.4 lbs. (0.6 kg)
RACSWS100S-316	5K stainless steel swivel anchor with stainless steel mounting hardware	2.0 lbs. (0.9 kg)
RACSWS100C-316	5K stainless steel swivel anchor with concrete mounting hardware - RACDNC-TOOL required (sold separately)	1.9 lbs. (0.9 kg)
RACSWS1SBA-316	Stainless steel mounting hardware only (swivel not included) - 316SS 5/8" X 4" bolt flat washer nylon locknut	N/A
RACSWS1DNC-316	Concrete mounting hardware only (swivel not included)	N/A
RACDNC-TOOL	Concrete bolt assembly tool	0.7 lbs. (0.3 kg)
RACSWP100N-316	Weld kit for RACSWS100N-316 - Puck with 5/8"-11" thread & 5/8"-11" x 1.75" grade 8 hexagonal head bolt	3.7 lbs. (1.7 kg)

Miller 5,000 lb. (5K) Stainless Steel Swivel Anchors

Drawings and Measurements



Limitless Possibilities. Ask the Expert.

Technical Service: 800.873.5242
www.millerfallprotection.com

Honeywell Industrial Safety

900 Douglas Pike
Smithfield, RI 02917

USA

Phone: 800.430.5490
Fax: 800.322.1330

Canada

Phone: 888.212.7233
Fax: 888.667.8477

⚠ This equipment should only be used after reading and understanding the manufacturer's instructions. Failure to follow instructions could result in serious injury or fatality.