

## Miller 10,000 lb. (10K) Swivel Hybrid Anchor

### Description

The Miller 10K Swivel Hybrid Anchor combines the technology of the new Swivel Anchor and the Miller Grip™ Anchor, resulting in a high-strength Swivel Anchor that can be removed and simply re-installed in a new location.

### Materials

Swivel: Zinc plated steel  
 Bushing: Polyurethane  
 Bolt: Zinc plated steel  
 Sleeve: Zinc plated steel  
 Cone: Stainless steel  
 Spoons : Stainless steel  
 Return Wire: Aircraft cable  
 Retaining Bushing: Zinc plated steel

### Technical

Ultimate Tensile Strength: 10,000 lbf. (44 kN)  
 Maximum User Weight: 310 lbs. (140 kg)  
 Working Load: 2,000 lbs. (908 kg)

### Certifications

Meets all ANSI Z359.1-2007, Z359.7-2011 and OSHA 1926.502 requirements.

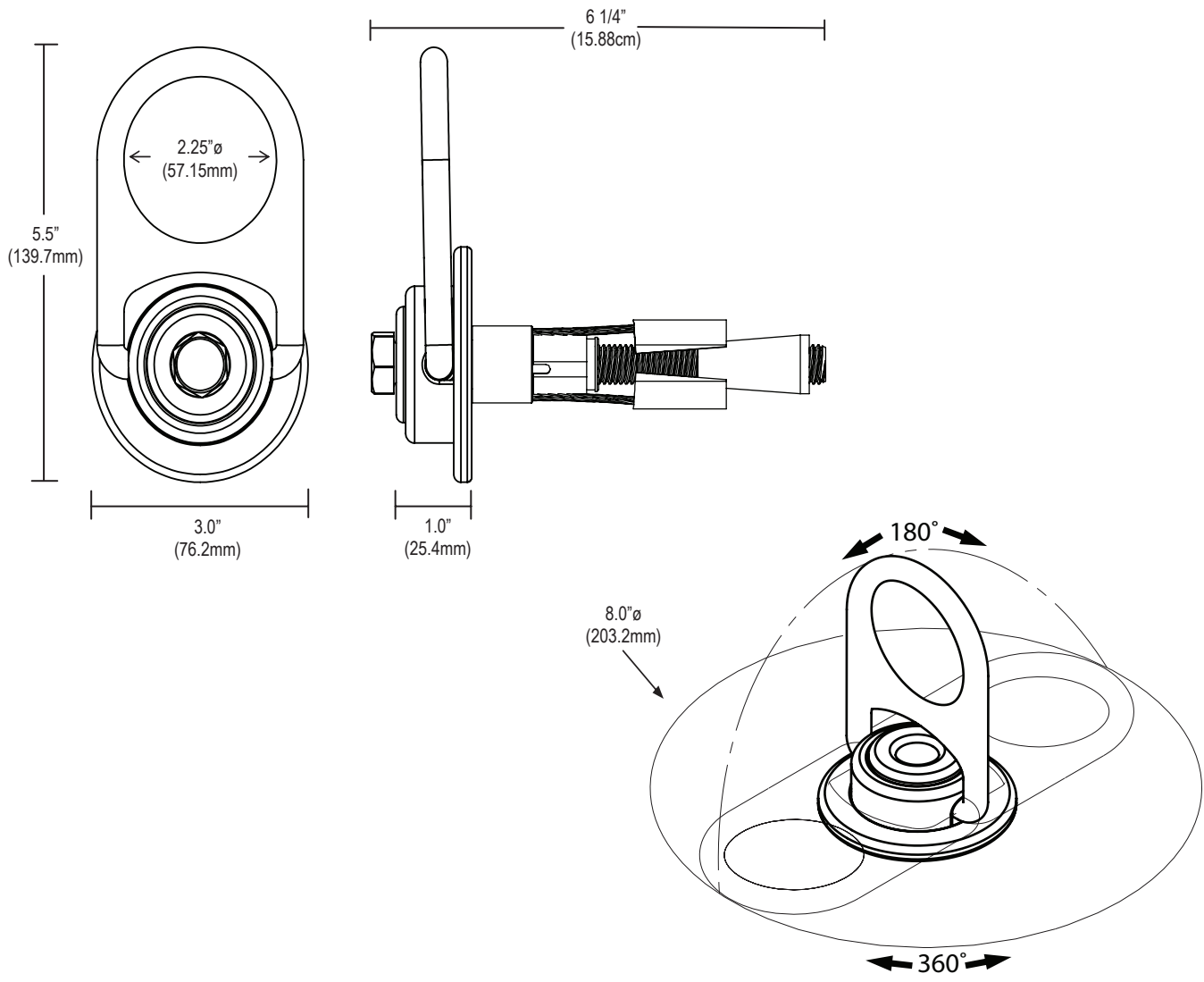


RACSWH100Y

Miller Hybrid 10,000 lb. (10K) Swivel Hybrid Anchor				
Model	Application	Color	Loading	Weight
RACSWH100Y	Concrete Mounting	Gold Zinc	10,000 lbf. (44 kN)	2.09 lbs. (.95 kg)

# Miller 10,000 lb. (10K) Swivel Hybrid Anchor

## Drawings and Measurements



**Limitless Possibilities. Ask the Expert.**

Technical Service: 800.873.5242  
www.millerfallprotection.com

**Honeywell Industrial Safety**

900 Douglas Pike  
Smithfield, RI 02917

**USA**

Phone: 800.430.5490  
Fax: 800.322.1330

**Canada**

Phone: 888.212.7233  
Fax: 888.667.8477

**⚠** This equipment should only be used after reading and understanding the manufacturer's instructions. Failure to follow instructions could result in serious injury or fatality.