

## 9081 Miller Edge™ Fall Protection System

### Description

The Miller Edge™ Fall Protection System is a portable engineered anchorage solution designed to protect decking crews from fall hazards. The Miller Edge reduces the need for a Safety Monitor or a temporary cable lifeline system on leading edge deck construction.

### Materials

<b>Frame:</b>	Painted Steel
<b>Swivel Casters:</b>	Althane, high strength, non-marking, chip-resistant, non-moisture absorbing
<b>Paint:</b>	Safety yellow enamel
<b>Feet:</b>	Rubber, black, high strength
<b>Push pin:</b>	Plated steel

### Application Requirement

Decking Surface:	Smooth surface with $\leq 5\%$ slope
Max. Working Distance:	26 feet forward 12 feet forward to each side

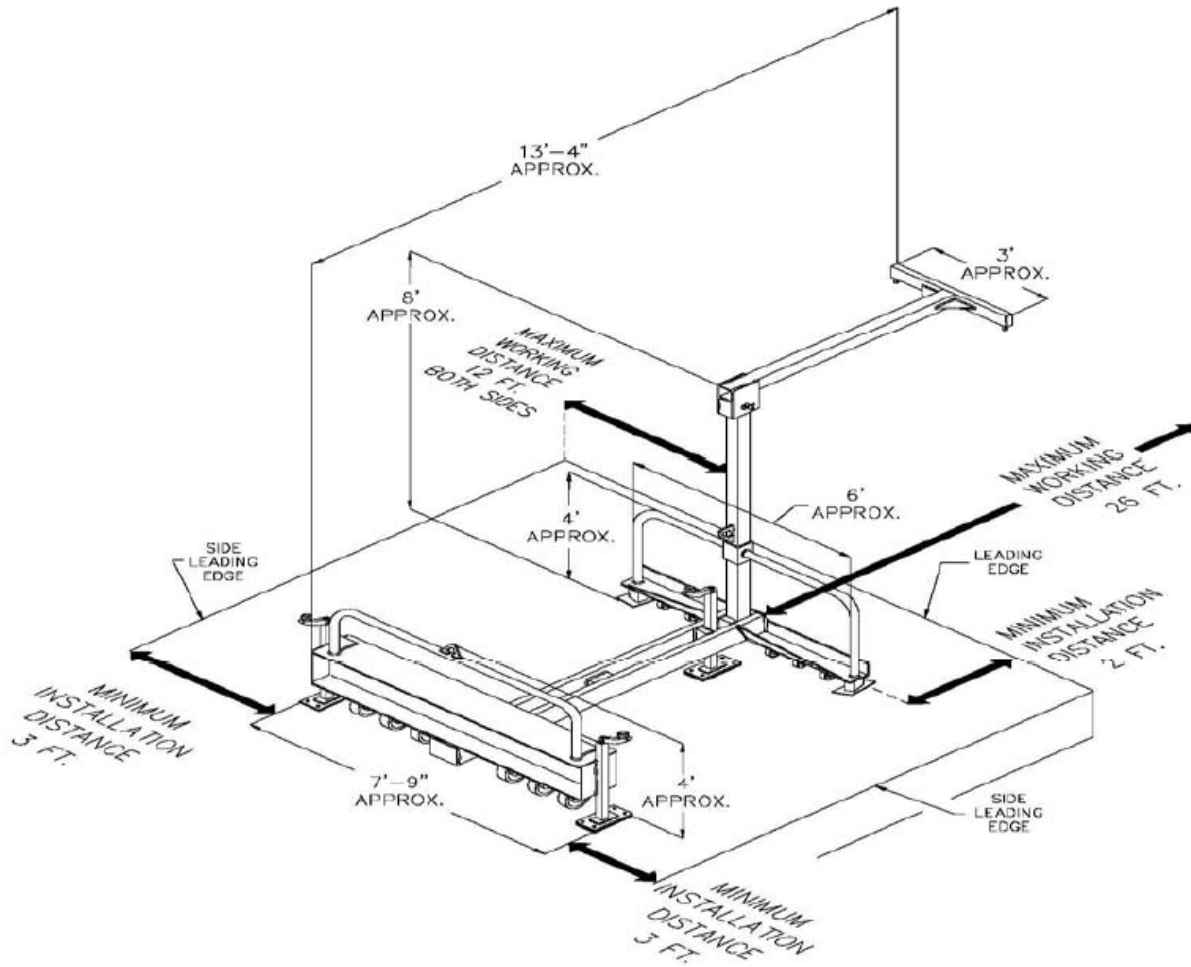
### Technical

<b>Max. Working Load:</b>	310 lbs. (140 kg) per attachment point 620 lbs. (281 kg) total per unit
<b>Weight:</b>	1,650 lbs. (748 kg)

### Certification

This product meets or exceeds the requirements of OSHA 1926.502 at the time of shipment.

**TECHNICAL DATA**  
SP105 Rev A 8-17



**Limitless Possibilities. Ask the Expert.**

Technical Service: 800.873.5242  
www.millerfallprotection.com

**Honeywell Industrial Safety**

900 Douglas Pike  
Smithfield, RI 02917

**USA**

Phone: 800.430.5490  
Fax: 800.322.1330

**Canada**

Phone: 888.212.7233  
Fax: 888.667.8477

**⚠** This equipment should only be used after reading and understanding the manufacturer's instructions. Failure to follow instructions could result in serious injury or fatality.