



IECEX Certificate of Conformity

INTERNATIONAL ELECTROTECHNICAL COMMISSION IEC Certification Scheme for Explosive Atmospheres

for rules and details of the IECEx Scheme visit www.iecex.com

Certificate No.: IECEx SIR 18.0031

Issue No: 0

Certificate history:

Issue No. 0 (2018-06-14)

Status: **Current**

Page 1 of 3

Date of Issue: **2018-06-14**

Applicant: **RAE Systems, Inc.**
A Honeywell Company
1349 Moffett Park Drive
Sunnyvale, CA 94089
United States of America

Equipment: **BWC-1001, BWC-1002, BWC-1003 and BWC-1004 Wireless IR to Bluetooth Transceiver**

Optional accessory:

Type of Protection: **Intrinsic Safety**

Marking:

Ex ia IIC T4 Ga
Ta: -40°C to 55°C

Approved for issue on behalf of the IECEx
Certification Body:

C Ellaby

Position:

Deputy Certification Manager

Signature:
(for printed version)

Date:

2018-06-14

1. This certificate and schedule may only be reproduced in full.
2. This certificate is not transferable and remains the property of the issuing body.
3. The Status and authenticity of this certificate may be verified by visiting the [Official IECEx Website](http://www.iecex.com).

Certificate issued by:

SIRA Certification Service
CSA Group
Unit 6, Hawarden Industrial Park
Hawarden, Deeside, CH5 3US
United Kingdom

sira
CERTIFICATION





IECEX Certificate of Conformity

Certificate No: IECEx SIR 18.0031 Issue No: 0
Date of Issue: 2018-06-14 Page 2 of 3
Manufacturer: **RAE Systems, Inc.**
by Honeywell
12220 Rojas Drive
El Paso, TX 79936
United States of America

Additional Manufacturing location(s):

RAE Systems (Shanghai) Inc.
No.990 E. Huiwang Road
JIADING DISTRICT
Shanghai 201815
China

This certificate is issued as verification that a sample(s), representative of production, was assessed and tested and found to comply with the IEC Standard list below and that the manufacturer's quality system, relating to the Ex products covered by this certificate, was assessed and found to comply with the IECEx Quality system requirements. This certificate is granted subject to the conditions as set out in IECEx Scheme Rules, IECEx 02 and Operational Documents as amended.

STANDARDS:

The apparatus and any acceptable variations to it specified in the schedule of this certificate and the identified documents, was found to comply with the following standards:

IEC 60079-0 : 2011 Explosive atmospheres - Part 0: General requirements
Edition:6.0
IEC 60079-11 : 2011 Explosive atmospheres - Part 11: Equipment protection by intrinsic safety "i"
Edition:6.0

*This Certificate **does not** indicate compliance with electrical safety and performance requirements other than those expressly included in the Standards listed above.*

TEST & ASSESSMENT REPORTS:

A sample(s) of the equipment listed has successfully met the examination and test requirements as recorded in

Test Report:

GB/SIR/ExTR18.0095/00

Quality Assessment Report:

NO/PRE/QAR16.0005/01

NO/PRE/QAR16.0006/01

NO/PRE/QAR17.0018/00



IECEX Certificate of Conformity

Certificate No: IECEx SIR 18.0031

Issue No: 0

Date of Issue: 2018-06-14

Page 3 of 3

Schedule

EQUIPMENT:

Equipment and systems covered by this certificate are as follows:

The subject equipment is a small, self-contained, battery powered, wireless, infrared to Bluetooth transceiver that communicates with hand-held portable gas detection instruments. The existing handheld instruments were designed with infrared transceiver capabilities, using a tiny optical port on the lower rear of the housing. This assembly is designed to physically mate with the existing instruments so that the optical ports on both devices align, enabling infrared digital information exchange. The device performs translation of this data and is provided with a wireless Bluetooth RF transceiver to exchange digital signal data with other (unspecified) Bluetooth devices located within a limited range of < 10 meters.

Refer to the Annexe for additional information.

SPECIFIC CONDITIONS OF USE: NO

Annex:

[IECEX SIR 18.0031 Issue 0 Annexe.pdf](#)

Annexe to: IECEx SIR 18.0031 Issue 0

Applicant: RAE Systems, Inc.
A Honeywell Company



Apparatus: BWC-1001, BWC-1002, BWC-1003 and
BWC-1004 Wireless IR to Bluetooth
Transceiver

Equipment:

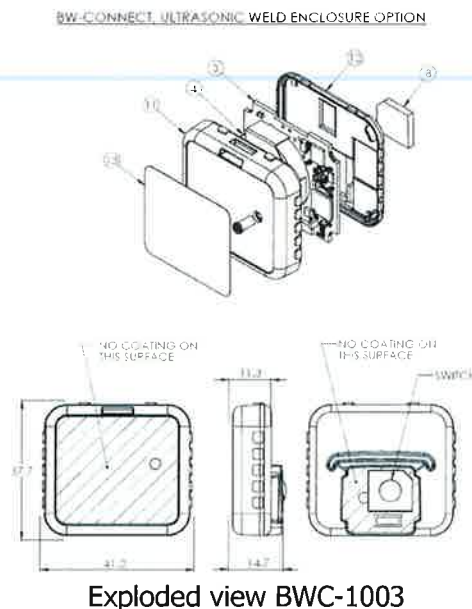
The subject equipment is a small, self-contained, battery powered, wireless, infrared to Bluetooth transceiver that communicates with hand-held portable gas detection instruments. The existing handheld instruments were designed with infrared transceiver capabilities, using a tiny optical port on the lower rear of the housing. This assembly is designed to physically mate with the existing instruments so that the optical ports on both devices align, enabling infrared digital information exchange. The device performs translation of this data and is provided with a wireless Bluetooth RF transceiver to exchange digital signal data with other (unspecified) Bluetooth devices located within a limited range of < 10 meters.

Several versions of this battery powered, self-contained device are available. One version utilizes an ultrasonically welded housing, and is designed to be disposable. The other version is provided with a two part housing that is held together with four M2 screws to facilitate battery replacement. Both of these variants are made available with, and without a momentary contact switch in the area where this device mounts to the "host" instrument.

All versions utilize a single 3V lithium manganese dioxide (Li/MnO₂) coin cell primary type battery, with a diameter of approximately 24.5 mm, by 5 mm thick as the only energy source. There is no wiring to or from this device. A periodically blinking LED signal on the front of the device is the only visible indication that the device is functioning.

The equipment is intended to mount directly to the rear surface face of a portable hand-held gas detection instrument. The geometry of a male boss, moulded into the rear of the housing is intended to mate with the geometry of a female boss moulded into the rear of the gas detection instrument, securing it in place.

Graphic Representation:



Exploded view BWC-1003

Date: 14 June 2018

Page 1 of 2

Form 9530 Issue 1

Sira Certification Service

Unit 6 Hawarden Industrial Park,
Hawarden, CH5 3US, United Kingdom

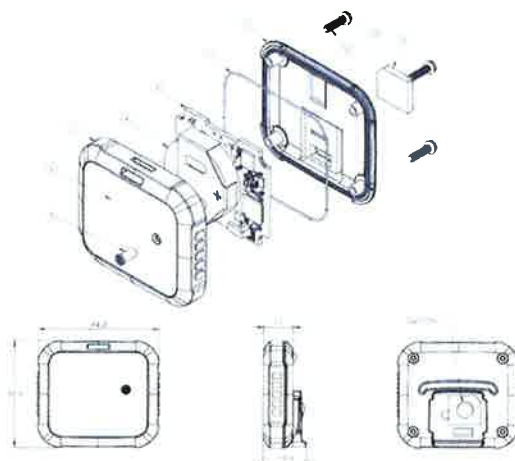
Tel: +44 (0) 1244 670900
Fax: +44 (0) 1244 681330
Email: ukinfo@csagroup.org
Web: www.csagroupuk.org

Annexe to: IECEx SIR 18.0031 Issue 0

Applicant: RAE Systems, Inc.
A Honeywell Company



Apparatus: BWC-1001, BWC-1002, BWC-1003 and
BWC-1004 Wireless IR to Bluetooth
Transceiver



Exploded view – BWC 1002



MicroClip
XT/XL/X3

Max XT II

Examples of subject equipment, mounted to hand-held gas detection instruments.

Specific Conditions of Use:

None

Conditions of Manufacture:

None

Date: 14 June 2018

Page 2 of 2

Form 9530 Issue 1

Sira Certification Service

Unit 6 Hawarden Industrial Park,
Hawarden, CH5 3US, United Kingdom

Tel: +44 (0) 1244 670900
Fax: +44 (0) 1244 681330
Email: ukinfo@csagroup.org
Web: www.csagroupuk.org