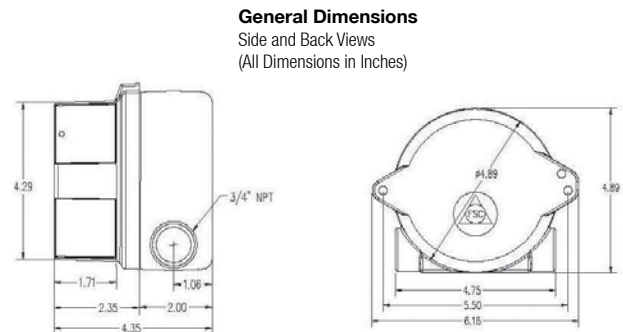
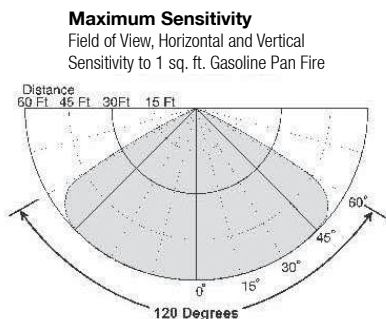


Fire Sentry SS4 SPECIFICATIONS

Electro-Optical Digital Fire and Flame Detectors



General Specifications	
Sensitivity	Adjustable between 60 ft., 45 ft., 30 ft, and 15 ft. to a 1 sq. ft. gasoline fire
Response Time	2-5 seconds to 1 sq. ft. of gasoline fire at 60 ft.
Field-of-View	120 degrees cone of vision (60 degrees from on axis).
Spectral Sensitivity	Ultraviolet: 185 to 260 nanometers Wide Band Infrared: 0.7 to 3.5 micrometers (SS4-A and SS4-AS only) Visible: 400 to 700 nanometers (SS4-A and SS4-AS only)
Input Power	24 Vdc nominal (20.5 to 34 Vdc)
Power Consumption	68 mA normal operation (relay version) 75 mA alarm condition (relay version) 95 mA alarm condition (analog version)
Output Relays	Fire Alarm Relay: NO & NC contacts Latching/Non-Latching, switch selectable Fire Verify Relay: NO & NC contacts Adjustable time from 0 to 30 seconds Fault Relay: NO & NC contacts Relay contact ratings: 0.5A at 120 V _{AC} , 1.0A at 24 V _{DC} Fault relay is energized during normal operation All other relays are de-energized
Operating Temperature	-40 to 185°F (-40 to 85°C)
Humidity Range	5 to 98% RH, non-condensing
Weight	4 pounds - Aluminum 7.5 pounds - Stainless Steel
Housing	Copper-free aluminum (less than 0.4%) powder coated NEMA4 (IP66), tamper resistant with integral dual 3/4" NPT conduit openings or optional M25. Stainless steel housing available
Electrical Classification	Explosion-proof Class I, Div. 1 & 2, Groups B, C and D Class II, Div. 1 & 2, Groups E, F and G Class III
Vibration	Meets or exceeds MIL Spec 810 C Method 514.2, Curve AW
Mounting	Swivel bracket assembly
Warranty	Two years from factory shipping date



Find out more
www.honeywellanalytics.com
 Toll-free: 800.538.0363

Please Note:
 While every effort has been made to ensure accuracy in this publication, no responsibility can be accepted for errors or omissions. Data may change, as well as legislation, and you are strongly advised to obtain copies of the most recently issued regulations, standards, and guidelines. This publication is not intended to form the basis of a contract.