



# 7600 Series Full Facepiece

## *Operating and Maintenance Instruction Manual*

---

**Honeywell International Inc.**  
855 S. Mint. St.  
Charlotte NC. 28202  
USA  
Telephone: 800 873 5242

**Honeywell Ind. de Tecnologia Ltda.**  
CNPJ 00.094.716/0002-09  
Rua Oswaldo Cruz, 615 - Itajubá/MG -  
+55 11 3711 6770  
Atendimento.hppe.br@honeywell.com

**Honeywell Safety Products Australia Pty Ltd.**  
45 Grosvenor Street  
Abbotsford. Vic 3067.  
Australia  
Telephone (Australia): +61 1300 139 166  
Telephone (New Zealand): +64 80 032 2200

## **INTRODUCTION**

The 7600 Series is comprised of full facepiece masks that are one component of a complete respirator. Components of these respirators are sold separately. Only those components manufactured by Honeywell and listed on the approval label may be used. These User Instructions refer only to the use and maintenance of this full facepiece, and to the assembly and use of this full facepiece as part of an air-purifying respirator. This respirator should **only** be used and maintained by individuals who have completely read and understand the instructions contained within this Instruction Manual and any other Operating and Maintenance Instruction Manuals included with the other components of a complete respirator. For more information and a complete listing of approved components refer to the Honeywell web site [www.honeywellsafety.com](http://www.honeywellsafety.com).

**Before occupational use of this respirator, a written respiratory protection program must be implemented meeting all the local government requirements. In the United States, employers must comply with OSHA 29 CFR 1910.134 which includes medical evaluation, training, and fit-testing.**

## **NIOSH CERTIFICATIONS**

When components listed on the NIOSH Approval Label are used, these respirators are approved as part of air-purifying, powered air-purifying or supplied air respirators. Refer to the User Instructions of those components and the NIOSH approval labels supplied with these products for a listing of all components that must be used to assemble a complete NIOSH approved respirator.

When used as air-purifying respirators the 7600 Series is for protection from hazardous gases, vapors and / or particulates where the concentration does not exceed 50 times the Permissible Exposure Limit (PEL) is below the contaminant's Immediately Dangerous to Life or Health (IDLH) threshold; and there is sufficient oxygen according to the OSHA or CSA requirements.

This respirator offers nuisance level relief from organic vapors, acid gases, and ozone that are below the Permissible Exposure Limit (PEL) when used with the 75FFP100NL filter. Nuisance level refers to concentrations not exceeding the OSHA PEL or other government occupational exposure limits, whichever is lower.

## **AUSTRALIAN CERTIFICATIONS**

When components listed on the AS/NZS Approval Label are used, these respirators are approved under Australian and New Zealand Standard 1716.2012 Lic. SMK 0563 for respiratory protection against hazardous gases, vapors and/or particulates; depending on the air-purifying cartridges and/or filters used and the contaminant concentration and/or toxicity; and if there is sufficient oxygen present in the contaminated atmosphere to support life.

## **BRAZILIAN CERTIFICATIONS**

These respirators are approved under Brazilian Standards NBR 13695, NBR 13696 and NBR 13697 for respiratory protection against hazardous gases, vapors and/or particulates, depending on the air-purifying cartridges and/or filters used and the contaminant concentration and/or toxicity, and if there is sufficient oxygen present in the contaminated atmosphere to support life.

## TERMINOLOGY

Warnings, cautions and notes used in this manual have the following significance:

### NOTE

Procedures and techniques that are considered important enough to emphasize.

### CAUTION

Procedures and techniques which, if not carefully followed, will result in damage to the equipment.

### WARNING

Procedures and techniques which, if not carefully followed, will expose the user to the risk of serious injury, illness or death.

### WARNING

**Improper Use of Your Respirator Can Be Harmful or Deadly!  
For Your Safety, Read and Follow These Directives.  
If You Do Not Understand Them—Ask Your Supervisor!**

1. Failure to follow these instructions and warnings may result in exposure to the hazardous materials, exposing the user to the risk of serious injury, illness or death. These instructions DO NOT APPLY if your full facepiece is being used as part of a powered air-purifying or supplied air respirator. Refer to the User Instructions for those components.
2. Never use this respirator:
  - To perform or observe sand-blasting/abrasive-blasting;
  - To fight fires;
  - In oxygen deficient atmospheres (any atmosphere having less than 19.5% oxygen by volume at sea level);

- In atmospheres where the concentrations of toxic contaminants are unknown, or are Immediately Dangerous to Life or Health (IDLH). An IDLH atmosphere is any atmosphere which has a concentration of any toxic, corrosive or asphyxiant substance that poses an immediate threat to life, which would cause irreversible debilitating effects on health, or which would interfere with the ability to escape from a dangerous atmosphere.
- In atmospheres where the concentration of the contaminant exceeds:
  - I. *If part of an OSHA or CSA Respiratory Protection Program:*
    1. 50 times the contaminant's permissible exposure limit (PEL). PEL is defined as the maximum permissible 8-hour time weighted average (TWA) concentration established by applicable OSHA or other government regulations, or by NIOSH, ACGIH or CSA.
    2. Any lower Maximum Use Concentration for that contaminant established by OSHA or other government regulations, NIOSH, ACGIH or CSA publications, or shown in the contaminant's Material Safety Data Sheet.
  - II. *If part of a Worksafe Australia Respiratory Protection Program:*
    1. In atmospheres where the concentration of the contaminant exceeds 50 times the contaminant's permissible exposure limit set by Worksafe Australia or other government regulations.
- If part of a Brazilian Ministry of Labor (MTE) Respiratory Protection Program:
  - I. In atmospheres where the concentration of the contaminant exceeds 100 times the contaminant's permissible exposure limit set by NR 15 or other government regulations.
- With any filters or cartridges other than those certified for use with this facepiece by the appropriate certifying organization.
- To protect against contaminants not listed on the label for that filter or cartridge.
  - I. *If part of an OSHA or CSA Respiratory Protection Program* the label is the NIOSH Approval label included with NIOSH approved cartridges and included with these User Instructions.
- *If part of a Worksafe Australia Respiratory Protection Program* the ratings on filters and cartridges are marked on cartridges certified to Australian and New Zealand Standards as P, A, B, E and/or K.
- If these contaminants are included in filter or cartridge User Instructions
- To protect against oil-based aerosols unless an 'R' or 'P' filter (defined by NIOSH) is used when the respirator is used as part of an OSHA or CSA Respiratory Protection Program.
- Without either an End-of-Service-Life Indicator (ESLI) on the cartridge for the gas and/or vapor present, or an established cartridge change schedule for all gases and vapors for which there is no ESLI.
- In poorly ventilated areas, or confined spaces such as tanks, small rooms, tunnels or vessels, unless the confined space is well ventilated and the concentration of toxic contaminants is known to be, and will continue to be, below the Maximum Use Concentration recommended for the respirator.



3. FOR USE IN NANOTECHNOLOGY ENVIRONMENT: OSHA recommends the use of HEPA filters or the equivalent NIOSH 42 CFR 84 particulate filters (N100, R100 or P100) for protection from exposure to particles created during nanotechnology processes. P3 is the equivalent per the AS/NZS and NBR Standards. Nano particles are defined as matter between approximately 1 and 100 nanometers (nm). Air-purifying respirators reduce, but will not completely eliminate, exposure to these contaminants. Because of their extremely small size, nano particles may enter the breathing zone from any minute opening in the facepiece where other particles would not be able to enter. Use of powered air-purifying respirators or supplied air respirators would provide better protection against nano particles.
4. Immediately leave work area and remove respirator if:
  - Breathing becomes difficult;
  - You become dizzy or disoriented;
  - You smell, taste or otherwise sense contaminants; or
  - Your respirator is damaged.
5. This respirator will not protect exposed areas of face or body from gases, vapors or airborne particles that can irritate, burn or be absorbed through your skin. You must wear hand and/or body protection.
6. Do not alter or modify this device in any way. Any alterations or modifications, including painting, affixing labels or using unapproved replacement parts can reduce protection and expose the user to the risk of illness, injury or death.

### **HEALTH LIMITATIONS**

You should be certified medically fit prior to using this respirator. In addition there are both physiological and psychological limitations which should be considered before using respirators. They include, but are not limited to:

- a) Emphysema
- b) Chronic obstructive pulmonary disease
- c) Bronchial asthma
- d) X-ray evidence of pneumoconiosis
- e) Evidence of reduced pulmonary function
- f) Coronary artery disease
- g) Severe or progressive hypertension

- h) Epilepsy (grand mal or petit mal)
- i) Pernicious anemia
- j) Diabetes (insipidus or mellitus)
- k) Breathing difficulties when wearing a supplied air respirator
- l) Claustrophobia or anxiety when wearing a supplied air respirator
- m) Abnormal EKG results from resting or stress tests
- n) Punctured or ruptured ear drum
- o) Medications

### **TRAINING PROGRAM**

These brief written instructions cannot substitute for a formal Respirator Training Program. Such training must be taken prior to first use of this product and should include an opportunity for you to handle the respirator, learn how to inspect it, have it properly fitted, wear it in normal air for a long familiarity period, and finally, to wear it in a test atmosphere.

The Training Program should be based on the most recent OSHA Regulation 29 CFR Section 1910.134, CSA Standard Z94.4, or Australian and New Zealand Standard 1715. You should also be familiar with any other pertinent regulations promulgated by various Regulatory Authorities including ANSI Z88.2 in the USA.

### **FIT TESTING**

Any respirator with a tight fitting facepiece may not be assigned until the user is given a qualitative or quantitative respirator fit test and the results of the test indicate that the facepiece of the respirator fits that person properly. The 7600 Series is available in two sizes. The letters "M/L" or "S" on oral/nasal cup indicate sizes Medium/Large or Small. See instructions below for putting on the respirator. Before occupational use of this respirator, a written respiratory protection program must be implemented meeting all the local government requirements. In the United States, employers must comply with OSHA 29 CFR 1910.134 which includes medical evaluation, training, and fit testing. In Canada employers must follow CSA Z94; Australia employers must follow (AS/NZA 1715) for specific Fit Test Procedures; in Brazil employers must follow MTE Respiratory Protection Program.

### **KEY TO NIOSH APPROVAL LABEL CAUTIONS AND LIMITATIONS FOR AIR-PURIFYING RESPIRATORS**

- A** Not for use in atmospheres containing less than 19.5 percent oxygen.
- B** Not for use in atmospheres immediately dangerous to life or health.
- C** Do not exceed maximum use concentrations established by regulatory standards.
- H** Follow established cartridge and canister change schedules or observe ESLI to ensure that cartridges and canisters are replaced before breakthrough occurs.
- J** Failure to properly use and maintain this product could result in injury or death.
- L** Follow the manufacturer's User Instructions for changing cartridges, canister and/or filters.

- M** All approved respirators shall be selected, fitted, used and maintained in accordance with OSHA and other applicable regulations.
  - N** Never substitute, modify, add or omit parts. Use only exact replacement parts in the configuration as specified by the manufacturer.
  - O** Refer to User Instructions, and/or maintenance manuals for information on use and maintenance of these respirators.
  - P** NIOSH does not evaluate respirators for use as surgical masks.
  - S** Special or critical User Instructions and/or specific use limitations. Refer User Instructions before donning.
- 
- 1** Honeywell and N-Series gas and vapor cartridges manufactured after August, 2012 require the use of a spider (P/N N750038) when a pad style filter is used with the cartridge.
  - 2** If the air-purifying cartridges have an ESLI, you must be able to see the indicator without moving the facepiece in any way that could break the facepiece-to-face seal.
  - 3** This respirator can offer nuisance level relief from organic vapors and acid gasses that are below the permissible exposure limit (PEL). Nuisance levels refers to concentrations not exceeding the OSHA PEL or other government occupational exposure limits, whichever is lower.

### **INSPECTION**

Each and every time you put on your respirator and prior to storage, you must inspect all components for wear or damage.

- 1) Check the nose cup and sealing area for any tears, holes or other damage.
- 2) Check the inhalation and exhalation valves to assure they are not missing or damaged.
- 3) Pull gently on the head straps to assure they are not worn. Check the head strap buckles for any damage.
- 4) Check the lens for any cracks or other damage.
- 5) Check the cartridge connectors to assure they are seated properly and are not cracked.

### **WARNING**

If any components are missing or damaged, do not use this respirator until all damaged and missing components are replaced with new or unused/undamaged NIOSH approved Honeywell replacement parts

Failure to comply with these warnings will result in the risk of serious injury, illness or death.

## ASSEMBLING THE RESPIRATOR

To use this full facepiece as an air-purifying respirator, you need to attach a filter, cartridge or cartridge/filter combination. Follow the directions below for the filter or cartridge type you are using.

1. If you are using a pad style filter only, you will need P/N N750037 (includes two N750027 covers and two N750015 filter holders) in addition to the two filters.
  - a) Place each filter into the filter cover, paying attention to the instructions on the filter “this side towards face” or “this side away from face” (Figure 1).
  - b) Snap the filter cover and filter onto the filter holder (Figure 2). Proceed to Step 5.
2. If you are using a pair of pad style filters (either 7506N95, 7506R95 or 7506N99) with a gas or vapor cartridge, you will need P/N N750036 (includes two N750027 filter covers and two N750038 filter supports) in addition to the two filters. Ensure the pad filters are the same type to provide proper protection.



Figure 1



Figure 2

### 1 - SPECIAL OR CRITICAL USER'S INSTRUCTIONS

Honeywell N-Series gas and vapor cartridges require the use of a filter support (P/N N750038) when a pad style filter is used with the cartridge. Failure to follow this instruction will result in the risk of serious illness, injury or death.

- a) Place the filter support (P/N N750038) on the cartridge so the eight indented notches nestle on the inner raised circle and the part number "N750038" is not backwards (see Figure 3).
- b) Place each filter into the filter cover (P/N N750027), paying attention to the instructions on the filter "this side towards face" or "this side away from face" (see Figure 1). Snap the filter assembly onto the cartridge filter "this side towards face" or "this side away from face". Snap the filter assembly onto the cartridge (see Figure 4)



Figure 3



Figure 4

3. If you are using flexible filters with a gas or vapor cartridge, you will need two N750035 adapters in addition to the filters.
  - a) Snap the N750035 onto the cartridge.
  - b) Being careful not to cross thread, attach the filter to the adapter. Proceed to Step 5.
4. If you are using the Backpack Adapter (P/N BP1002) with any combination of filters or cartridges, attach them to the male threaded end of the adapter. Check that the cartridges or filters are effectively sealed against the gasket on the back plate connector.

## 2 - SPECIAL OR CRITICAL USER'S INSTRUCTIONS

If the air-purifying cartridges have an ESLI, you must be able to see the indicator without moving the facepiece in any way that could break the facepiece-to-face seal. Do not use cartridges with an ESLI if you are using the Backpack Adapter. Failure to follow this instruction will result in the risk of serious illness, injury or death.

5. Attach your filter, filter assembly, cartridge, filter/cartridge or backpack assembly onto the facepiece.
  - Make sure the filters or cartridges do not cross thread.
  - Turn filters / cartridges until they are seated snugly against the gasket and you notice resistance to further turning. Ensure the cartridges are flush with the facepiece seal and that the cartridge connectors and gaskets are also flush with the inside of the mask.
  - Do not overtighten, as this may crack the cartridge connectors (Figure 5).
6. Tug slightly on your filter / cartridge assembly to assure that it is firmly affixed.

If you use prescription eyewear, Honeywell offers several styles of spectacle inserts, Refer ADDITIONAL COMPONENTS for a listing. Follow the instructions with your spectacle insert to assemble to the facepiece.

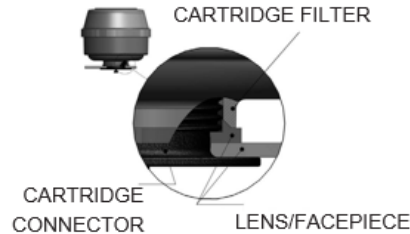


Figure 5

 **WARNINGS**

The NIOSH and AS/NZS approvals and all Honeywell warranties for this respirator are nullified if cartridges and/or filters from other manufacturers are used.

Filters, cartridges, and filter cartridge combinations must be the same on both sides of the respirator.

Only use filters, cartridges or filter cartridge combinations for protection from contaminants listed on that filter or cartridge NIOSH or AS/NZS Approval Label.

Do not use the Backpack Adapter with cartridges that have an ESLI as you will not be able to see the indicators while wearing the respirator, and will not know when to change the cartridges.

Failure to comply with these warnings will result in the risk of serious injury, illness or death.

## PUTTING ON THE RESPIRATOR

Follow INSPECTION directions 1 through 4, then tug once more on the cartridges or filters to assure they are securely attached.

- 1) Remove your hard hat or other headgear prior to putting on your respirator.
- 2) Adjust the head straps of the respirator to their full outward position by pulling up on the tabs to release the strap tension, then pulling the straps outward.
- 3) Grasp the harness by placing your hands in the harness and your thumbs between the lower straps (Figure 6).
- 4) Push the harness up on your forehead, brushing your hair upward from the seal area (Figure 7). Continue up and over your head until the harness is centered at the rear of your head and your chin fits into the chin cup (Figure 8).
- 5) Beginning with the lower straps, pull on the end tabs in small, equal increments to ensure they are tightened evenly.
- 6) Tighten the upper straps in small, equal increments.
- 7) Tighten the top strap until the entire facepiece is snug, comfortable and centered on your face (Figure 9).

### WARNING

Do not use your respirator if you cannot achieve a good facepiece-to-face seal due to:

1. Facial hair, including stubble,
  2. Eyewear with temples that interfere with the sealing area,
  3. Head or face coverings, jewelry or any other items that interfere with the sealing area, or
  4. Missing teeth or dentures, facial deformities or deep scars that prevent a good seal.
- Failure to follow these warnings will result in the risk of serious injury, illness or death.



Figure 6



Figure 7



Figure 8



Figure 9



## NOTE

7600 Series facepieces have a double-flanged sealing area to assure a maximum seal to the face. Be careful not to overtighten the respirator. Overtightening could distort the seal and may cause leakage between the facepiece-to-face seal.

### USER SEAL CHECKS

Each time you put on a respirator before entering a hazardous atmosphere, and periodically while wearing the respirator in the contaminated area, you must check the effectiveness of the facepiece-to-face seal by conducting a User Seal Check.

- 1) Positive Pressure User Seal Check
  - a) Place the palm of your hand over the exhalation valve and exhale normally (Figure 10).
  - b) If the facepiece moves away from your face slightly and no air leaks between the face and the facepiece, an effective seal has been obtained.
- 2) Negative Pressure User Seal Check
  - a) Place the palms of both hands over the cartridges or filter covers and inhale normally. Hold your breath for (5) seconds (Figure 11).
  - b) If the facepiece pulls into your face slightly and no air leaks between the face and the facepiece, an effective seal has been obtained.
- 3) If you detect any leaks, reseal the facepiece and/or readjust the tension of the head straps. Note that sometimes the straps may need to be loosened.
- 4) Repeat the User Seal Check(s) until an effective seal has been obtained. If you cannot achieve a seal, do not use this respirator. See your Supervisor for either a replacement respirator or to be refitted to an appropriate size.

### WARNING

If you cannot promptly achieve an effective seal while wearing the respirator in a contaminated area, you should immediately leave the contaminated area to prevent the risk of serious injury, illness or death.



Figure 10



Figure 11



Figure 12

## NOTE

OSHA 29 CFR 1910.134 Appendix B requires either a Positive or a Negative User Seal Check following the Manufacturer's instructions. CSA recommends following the Manufacturer's instructions, and provides guidelines for a Positive and Negative User Seal Check in Z94.4 Annex A.

Honeywell provides instructions for both seal checks since many Industrial Hygienists prefer the use of both methods, but only one of either two methods needs to be conducted. If you are conducting both a Positive and a Negative User Seal Check, conduct the Positive Seal Check first.

You are now ready to enter the contaminated area for which this respirator was designed.

## EMERGENCY DURING USE

Immediately leave the contaminated area if breathing becomes difficult; you become dizzy or disoriented; you smell, taste or otherwise sense contaminants; or your respirator becomes damaged.

## SERVICE LIFE

When this respirator is used for protection from gases or vapors with defined occupational exposure limits, you must follow a change-out schedule to assure the cartridges are changed before the end of their useful life. If the cartridges have an End-of-Service-Life Indicator (ESLI), the cartridges must be changed per the instructions that come with the ESLI cartridge. Filters must be replaced when breathing becomes difficult.

## REMOVING THE RESPIRATOR

### WARNING

Before removing your respirator you must go to an area with uncontaminated air.  
Failure to follow this warning will result in the risk of serious injury, illness or death

Loosen the head straps by pulling up and releasing the head strap latches (Figure 12). Remove the respirator.

## CLEANING YOUR FACEPIECE

During breaks and between a more thorough cleaning, a refresher wipe pad may be used to clean the portion of the mask that comes in contact with your face. For a thorough cleaning:

1. Remove the respirator's components.
  - a. Unthread the cartridges or filters and dispose or store them per the instructions in the section STORAGE.
  - b. Unthread the Backpack Adapter and pull out the spectacle insert if used.
  - c. Remove the oral/nasal cup it by gently pulling it away from the speech diaphragm housing.
  - d. Pull out the inhalation valves and valve seats in the oral/nasal cup.
  - e. Unthread the exhalation valve guard from the seat. Remove the valve and valve seat, and threaded flange holding the valve seat.
  - f. Remove the speech diaphragm assembly by unthreading the speech diaphragm nut on the outside of the mask. Push the speech diaphragm housing into the mask to remove it. Turn the locking ring counter-clockwise to remove the speech diaphragm, being careful not to lose the two orange O-rings.
  - g. Push in on the cartridge connectors to unseat them from the gaskets. Pull the cartridge gaskets out of the lens.
2. Inspect all components for any wear or damage.
  - a. Check components for holes, tears crazing or other signs of wear.
  - b. **Replace any components that are damaged or missing.**
3. Wash the facepiece components.
  - a. Prepare a solution of cleaner sanitizer according to instructions.
  - b. Wash the facepiece and components thoroughly in the cleaner sanitizer solution. Use a soft brush on the facepiece and headgear assembly to loosen any caked on dirt.
4. Reassemble your facepiece after following all steps outlined in INSPECTION. Use the REPLACEMENT PART schematic at the end of these User Instructions or on the Honeywell Facepiece Replacement Part Poster.
  - a. Inspect all components as they are being assembled. Replace any that are damaged or missing. Verify that the oral/nasal cup is the same size as the facepiece by verifying the letter(s) on the front of the oral/nasal cup. If you have a 760008A the cup should have an "M/L" (medium/Large) (P/N 80815-H5), and if you have a 760008AS the cup should have an "S" (small) (P/N 80800-H5).
  - b. Place the grommet (P/N 80871A) in the lens, making sure that the larger flange is on the inside and the inner and outer flanges lie flat against the lens.
  - c. Put one set of inhalation valves (P/N 770017) on the cartridge connectors (P/N 770016), making sure they lie flat against the connectors.
  - d. Insert the cartridge connectors by pushing through the grommets from the inside of the facepiece. Make sure the connectors are all the way through and lying flat against the flanges.
  - e. Insert the speech diaphragm (P/N 80870-H5) into the speech diaphragm housing (P/N 80858-H5) so the holes in the speech diaphragm are facing out, and the smaller orange O-ring (P/N 80857A) is between the speech diaphragm and the housing. Put the locking ring on top of the speech diaphragm and hand-tighten by turning clockwise.
  - f. Place the larger of the O-rings (P/N 80861A) onto
- c. Rinse the facepiece and components in clean warm water and then let dry completely.

the speech diaphragm housing and insert the speech diaphragm assembly into the larger port of the lens so the keys in the port line up with the notches in the housing, and the O-ring is between the inside of the lens and the speech diaphragm housing. When inserted properly the threads of the housing will be completely through the lens and the housing will be flush up against the inside of the lens.

- g. Insert the outer nut (P/N 80862-H5) onto the housing threads and hand-tighten by turning clockwise.
- h. Put the remaining inhalation valves (P/N 770017) on the valve seats (P/N 80814A) for the oral/nasal cup (P/N 80815-H5 for medium/large or 80800-H5 for small) making sure they lie flat against the seats. Insert the seat and inhalation valve assembly into the oral/nasal cup.
- i. Position the oral/nasal cup by first pulling the lower flange

on the cup through the small port on the lens so it lies flush with the lens. Straighten the cup by turning it so the peak of the nasal area is on top. Work larger opening of the cup into groove of the speech diaphragm housing that is furthest from the lens.

- j. Insert the exhalation valve (P/N 770018) into the exhalation valve seat (P/N 80862-H5) and pull in the tab until you hear a “click”. When inserted correctly the flat end of the exhalation valve will be on the thread side of the seat and sit flush with the seat.
- k. Push the exhalation valve assembly through the lower opening of the oral/nasal cup that is now assembled onto the facepiece. You may need to use a slight pressure to push the assembly completely through. Insert the exhalation housing guard (P/N 80867-H5) onto the housing threads and hand-tighten by turning clockwise.

#### **WARNING**

Never allow cartridges or filters to come in contact with water or cleaning and sanitizing solutions. Moisture can damage the cartridges or filters. Failure to comply with these warnings will result in the risk of serious injury, illness or death.

#### **REPLACING THE LENS AND LENS CLAMP**

For routine cleaning the lens and lens clamps should not need to be removed. For a complete cleaning or repair they may need to be removed and/or replaced. Required: Phillips screwdriver and needle-nose pliers.

To Remove:

- 1) Follow instructions above to remove all components.
- 2) Use the needle-nose pliers to hold the nut on the lens clamp and loosen the screws located on either side of the lens clamp.
- 3) Pull the lens clamps off the face seal.
- 4) Pull the face seal away from the lens.

To Assemble:

- 1) Work the lens seal onto the facepiece, making sure that it is centered and there are no gaps.
- 2) Work the upper and lower lens clamps onto the lens and face seal.
- 3) Use the needle-nose pliers to bring the two lens clamps together. Insert the screws so the thread side faces up.
- 4) Seat the nut into the cavity of the lens clamp and thread the nut onto the screw and tighten.

#### CAUTIONS

Do not use abrasive cleaners on the lens. Abrasives can remove the protective coating from the lens, making it susceptible to scratch and chemical degradation.

#### STORAGE

Store in a clean, dry area away from the chance of any contamination. Use the respirator storage bag provided with the facepiece or any other sealable container that will protect the facepiece. Optimum storage conditions are room temperature, between 50°F (10°C) and 100°F (38°C).

#### WARNING

Never store the facepiece with cartridges or filters that have been exposed to contaminants. If cartridges and/or filters are to be reused, seal them in a separate bag or container. Do not expose to direct sunlight, chemical pollutants or dust.

Cartridges that have been exposed to contaminants with a low boiling point, and all NIOSH rated R filters that have been exposed to oil-based aerosols must be discarded at the end of a shift.

Failure to comply with these warnings will result in the risk of serious injury, illness or death.

**NOTE**

When discarding contaminated cartridges, facepieces or components, follow local, state and/or national regulations pertaining to disposal of HazMat and/or other contaminated articles. Consult your supervisor and/or proper authorities.

**CAUTION**

Do not expose the respirator to excessive heat (above 140°F [60°C]), moisture or contaminative substances, or stack undue weight on top of the facepiece or components during storage because such conditions may distort the facepiece, resulting in the inability to achieve a proper fit the next time the facepiece is worn, or they may compromise the functionality of the component.

## REPLACEMENT PARTS

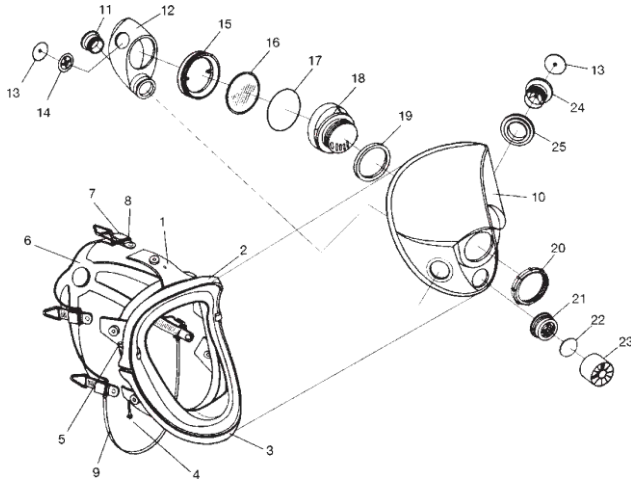
### Complete Assembly

For NIOSH Approved Respirators:

760008A, S	Full Facepiece, sizes medium/large and small
760008AW, SW	Full Facepiece with welding attachment, sizes medium/large and small

For AS/NZS Approved Respirators:

760008AA, S	Full Facepiece, sizes medium/large and small
760008AAW, SW	Full Facepiece with welding attachment, sizes medium/large and small



### Replacement Parts

1a	80840-H5	Basic Facepiece, Med/Lrg
1b	80801-H5	Basic Facepiece, Small
2 & 3	80798-H5	Lens Clamps, Upper and Lower (1 set)
4	80843A	Screw, Lens Clamp
5	80844A	Nut, Lens Clamp
6	80845	Head Strap, less Hardware
7	80846A	Latch, Head Strap
8	80847A	Bail, Head Strap
9	80848-H5	Neck Strap Assembly
10	80849-H5	Lens
11	80852-H5	Flange
12a	80815-H5	Oral/Nasal Cup, Med/Lrg
12b	80800-H5	Oral/Nasal Cup, Small
13	770017	Inhalation Valve
14	80814A	Valve Seat for Oral/Nasal Cup
15	80855-H5	Locking Ring
16	80870-H5	Speech Diaphragm
17	80857A	O-Ring, Speech Diaphragm
18	80858-H5	Housing, Speech Diaphragm
19	80861A	O-Ring, Speech Diaphragm
20	80862-H5	Nut, Adapter
21	80863-H5	Exhalation Valve Seat
22	770018	Exhalation Valve
23	80867-H5	Exhalation Valve Guard
24	770016	Cartridge Connector
25	80871A	Grommet

## **ADDITIONAL COMPONENTS**

<b>Part No.</b>	<b>Description</b>
-----------------	--------------------

### **Cartridge and Filter Holders**

N750035	Adapter for low profile filters to attach filters to gas or vapor cartridges
N750036	Assembly for filters. Includes (2) N750027 covers and (2) N750038 spiders to attach filter pads to gas and vapor cartridges
N750037	Assembly for filters. Includes (2) N750027 covers and (2) N750015 filter holders to attach filters to facepiece
N750037A	Assembly for filters. Includes (2) N750027 covers and (2) N750015 filter holders to attach filters to facepiece
BP1002	Backpack Adapter

### **Welding Attachment**

8404-H5	Welding Attachment Kit, converts 7600 to welding facepiece
8419	Flame Resistant Welding Shroud (NIOSH approved respirators only)

### **Spectacle Inserts & Peel-away Lenses**

80100-H5	Spectacle Insert, plastic frame with suction cup
760023	Spectacle Insert, metal frame with wire spring
760024	Spectacle Insert, metal frame with suction cup
80836A	Peel-away lens. Three peel-away lenses per assembly, five assemblies per pack



## **LIMITED WARRANTY**

**Honeywell Safety Products warrants this facepiece to the original owner to be free from defects in materials and workmanship for a period of one (1) year from the date of original shipment from Honeywell's factory. Honeywell's obligation under this warranty will be, at Honeywell's option, to repair or replace without charge the facepiece or any of its components found by Honeywell to have been defective during the warranty period, under the following terms:**

1. The warranty claim is made (i) by the owner who purchased the 7600 Series facepiece new from Honeywell or an authorized Honeywell Distributor, and (ii) not more than three (3) months after the end of the warranty period.
2. The 7600 Series facepiece or component is found by Honeywell to have been defective in normal use and service during the warranty period of one (1) year from the date of purchase by the owner.
3. The 7600 Series facepiece or component is returned freight prepaid to Honeywell, either to its factory or to a Honeywell authorized service center, and is thereafter returned to the owner freight collect.
4. This warranty does not apply to (i) any 7600 Series facepiece or component found by Honeywell to have become defective as a result of any accident, alteration, misuse, abuse, or servicing with parts not approved by Honeywell; (ii) deterioration or aging of any component made of rubber or other elastomer since such components can be adversely affected by undue exposure to heat, sun, water, chemicals, ozone or other deteriorating elements; or (iii) parts that become defective through normal use. The decision as to what constitutes normal use shall be made solely by HONEYWELL SAFETY PRODUCTS.
5. To maintain this warranty, the purchaser must perform maintenance and inspections as set forth in this Instruction Manual which shall include prompt replacement or repair of defective parts.

**THE OWNER ASSUMES ALL OTHER RISKS, IF ANY, SUCH AS THE RISK OF ANY DIRECT, INDIRECT OR CONSEQUENTIAL LOSS OR DAMAGE ARISING OUT OF THE USE OF, OR INABILITY TO USE, THE PRODUCT. SERVICING HONEYWELL RESPIRATORS WITH PARTS NOT APPROVED BY HONEYWELL WILL VOID THIS LIMITED WARRANTY, AND THE NIOSH AND AS/NZS APPROVALS FOR THE RESPIRATOR UNIT. THIS LIMITED WARRANTY IS MADE IN LIEU OF ALL OTHER WARRANTIES, EXPRESS OR IMPLIED AND MAY NOT BE VARIED OR EXTENDED EXCEPT IN WRITING BY AN AUTHORIZED OFFICIAL OF HONEYWELL SAFETY PRODUCTS.**

## **Masque complet Série 7600** *Manuel d'instructions d'utilisation et d'entretien*

---

**Honeywell International Inc.**  
855 S. Mint. St.  
Charlotte NC. 28202  
États-Unis  
Téléphone: 800 873 5242

**Honeywell Ind. de Tecnologia Ltda.**  
CNPJ 00.094.716/0002-09  
Rua Oswaldo Cruz, 615 - Itajubá/MG -  
+55 11 3711 6770  
Atendimento.hppe.br@honeywell.com

**Honeywell Safety Products Australia Pty Ltd.**  
45 Grosvenor Street  
Abbotsford. Vic 3067.  
Australie  
Téléphone (Australie): +61 1300 139 166  
Téléphone (New Zealand): +64 80 032 2200

## INTRODUCTION

La Série 7600 est composée de masques complets faisant partie d'un système de respirateur complet. Les différents éléments de ces respirateurs sont vendus séparément. Seuls les éléments fabriqués par Honeywell et figurant sur l'étiquette d'approbation peuvent être utilisés. Les présentes instructions portent uniquement sur l'utilisation et l'entretien de ce masque complet et sur l'assemblage et l'utilisation du masque complet en tant que respirateur filtrant. Ce respirateur doit être utilisé et entretenu **exclusivement** par des personnes ayant lu et compris les instructions contenues dans le présent manuel et dans tout autre manuel d'instructions d'utilisation et d'entretien fourni avec les autres éléments constitutifs d'un respirateur complet. Pour plus de renseignements et une liste complète des éléments homologués, consulter le site Web d'Honeywell à [www.honeywellsafety.com](http://www.honeywellsafety.com).

**Avant toute utilisation de ce respirateur dans un environnement professionnel, il est impératif de mettre en place un programme de protection respiratoire écrit respectant toutes les exigences gouvernementales locales. Aux États-Unis, les employeurs doivent se conformer à la norme OSHA 29 CFR 1910.134, qui inclut une évaluation médicale, une formation et des tests d'aptitude.**

## CERTIFICATIONS NIOSH

Lorsque des éléments figurant sur l'étiquette d'approbation NIOSH sont utilisés, ces respirateurs sont homologués dans le cadre de respirateurs filtrants, filtrants à ventilation assistée ou à adduction d'air. Voir la liste de tous les éléments devant être utilisés pour assembler un respirateur homologué NIOSH complet dans les manuels d'utilisation de ces éléments et sur les étiquettes d'approbation NIOSH fournies avec ces produits. Lorsqu'ils sont utilisés en tant que respirateurs filtrants, les masques Série 7600 sont destinés à la protection contre les gaz, vapeurs et/ou matières particulaires dangereux dont la concentration ne dépasse pas 50 fois la limite d'exposition admissible (PEL), qu'elle est inférieure au seuil de danger immédiat pour la vie ou la santé (DIVS) et si l'oxygène est suffisant conformément aux exigences OSHA ou CSA. Ce respirateur permet de réduire le niveau de nuisance des vapeurs organiques, des gaz acides et de l'ozone qui se trouvent en deçà de la Limite d'exposition admissible (PEL) lorsqu'utilisé avec le filtre 75FFP100NL. Le niveau de nuisance fait référence aux concentrations qui ne dépassent pas la PEL de l'OSHA ou d'autres limites d'exposition sur le lieu de travail imposées par le gouvernement, selon la moindre de ces valeurs.

## CERTIFICATIONS AUSTRALIENNES

Lorsque les éléments figurant sur l'étiquette d'approbation AS/NZS sont utilisés, ces respirateurs sont homologués selon la norme australienne et néo-zélandaise 1716.2012 Lic. SMK 0563 pour la protection respiratoire contre les gaz, vapeurs et/ou matières particulaires dangereux, en fonction des cartouches et/ou filtres d'épuration d'air utilisés et de la concentration et/ou toxicité du contaminant et s'il y a suffisamment d'oxygène dans l'atmosphère contaminée pour le maintien en vie.

## CERTIFICATIONS BRÉSILIENNES

Ces respirateurs sont homologués dans le cadre des normes brésiliennes NBR 13695, NBR 13696 et NBR 13697 comme protection respiratoire contre les vapeurs, particules et/ou gaz nocifs, en fonction des cartouches filtrantes et/ou filtres utilisés et de la concentration de contaminants et/ou de la toxicité et s'il y a suffisamment d'oxygène présent dans l'atmosphère contaminée pour vivre.

## TERMINOLOGIE

Signification des avertissements, conseils de prudence et remarques figurant dans ce manuel :

### REMARQUE

Procédures et techniques jugées suffisamment importantes pour être mises en évidence.

### ATTENTION

Procédures et techniques qui, si elles ne sont pas respectées avec soin, peuvent endommager l'équipement.

### AVERTISSEMENT

Procédures et techniques qui, si elles ne sont pas respectées avec soin, exposent l'utilisateur à un risque de lésion grave, de maladie ou de mort.

### AVERTISSEMENTS

**L'utilisation incorrecte du respirateur peut s'avérer nocive, voire mortelle!**  
**Pour plus de sécurité, veiller à lire et respecter ces directives.**  
**Si elles ne sont pas comprises, demander au superviseur!**

1. Tout manquement à respecter ces instructions et avertissements peut entraîner une exposition à des matières dangereuses et exposer l'utilisateur à un risque de lésion grave, de maladie ou de mort. Ces instructions **NE S'APPLIQUENT PAS** à un masque complet utilisé en tant qu'élément d'un respirateur filtrant à ventilation assistée ou à adduction d'air. Voir les instructions d'utilisation de ces éléments particuliers.
2. Ne jamais utiliser ce respirateur :
  - Pour effectuer ou observer du sablage/décapage par projection.
  - Pour lutter contre des incendies.
  - Dans des atmosphères pauvres en oxygène (toute atmosphère contenant moins de 19,5 % d'oxygène en volume au niveau de la mer).

- Dans des atmosphères dont les concentrations en contaminants toxiques sont inconnues ou présentent un danger immédiat pour la vie ou la santé (DIVS). Une atmosphère DIVS est toute atmosphère ayant une concentration en toute substance toxique, corrosive ou asphyxiante mettant directement la vie en danger, susceptible d'avoir des effets débilissants permanents sur la santé ou pouvant entraver l'aptitude à échapper à une atmosphère dangereuse.
- Dans les atmosphères où la concentration en contaminants dépasse :
  - i. Dans le cadre d'un programme de protection respiratoire OSHA ou CSA :*
    1. 50 fois la limite d'exposition admissible (PEL) du contaminant. Par définition, la PEL est la concentration admissible moyenne pondérée dans le temps (TWA) sur 8 heures établie par l'OSHA ou autre réglementation officielle ou par le NIOSH, l'ACGIH ou la CSA.
    2. Toute concentration utile maximale inférieure pour ce contaminant établie par l'OSHA ou autre réglementation officielle, publiée par le NIOSH, l'ACGIH ou la CSA ou figurant dans la fiche signalétique du contaminant.
  - ii. Dans le cadre d'un programme de protection respiratoire Worksafe Australia :*
    1. Dans les atmosphères où la concentration en contaminants dépasse 50 fois la limite d'exposition admissible du contaminant fixée par Worksafe Australia ou autre réglementation officielle.
- Si c'est dans le cadre d'un programme de protection respiratoire du Ministère du travail (MTE) brésilien :
  - i. Dans des atmosphères où la concentration de contaminants est 100 fois supérieure à la limite d'exposition admissible du contaminant, définie par la norme NR 15 ou d'autres réglementations gouvernementales.*
- Avec tout filtre ou cartouche autre que ceux certifiés pour une utilisation avec ce masque par l'organisme de certification compétent.
- Pour protéger contre des contaminants non indiqués sur l'étiquette de ce filtre ou cette cartouche.
  - i. Dans le cadre d'un programme de protection respiratoire OSHA ou CSA, il s'agit de l'étiquette d'approbation NIOSH fournie avec les cartouches homologuées NIOSH et avec les présentes instructions d'utilisation.*
  - ii. Dans le cadre d'un programme de protection respiratoire Worksafe Australia, les classes d'utilisation des cartouches certifiées par les normes australiennes et néo-zélandaises sont marquées sur les cartouches (P, A, B, E et/ou K).*
  - iii. Si ces contaminants sont inclus dans les Instructions d'utilisation du filtre ou de la cartouche.*
- Pour protéger contre les aérosols à base d'huile, sauf si un filtre « R » ou « P » (tel que défini par NIOSH) est utilisé alors que le respirateur est utilisé dans le cadre d'un programme de protection respiratoire OSHA ou CSA.
- En l'absence soit d'un indicateur de fin de service (ESLI) sur la cartouche pour les gaz et/ou vapeurs présents, soit d'un calendrier établi de changement des cartouches pour tous les gaz et vapeurs pour lesquels il n'y a pas d'ESLI.
- Dans des endroits mal aérés ou dans des espaces clos tels que des réservoirs, des petites pièces, des tunnels ou des cuves, sauf si l'espace clos est bien aéré et qu'il est établi que la concentration en contaminants toxiques est et restera inférieure à la concentration utile maximale recommandée pour le respirateur.

3. DESTINÉ À UNE UTILISATION DANS UN ENVIRONNEMENT NANOTECHNOLOGIQUE : L'OSHA recommande l'utilisation de filtres HEPA ou de filtres à particules NIOSH 42 CFR 84 équivalents (N100, R100 ou P100) pour assurer une protection contre l'exposition aux particules produites pendant les processus nanotechnologiques. P3 est le produit équivalent selon les normes AS/NZS et NBR. Les nanoparticules sont définies comme de la matière dont la taille est comprise entre 1 et 100 nanomètres (nm). Les respirateurs filtrants réduisent, mais n'éliminent pas complètement, l'exposition à ces contaminants. Du fait de leur taille extrêmement petite, les nanoparticules peuvent pénétrer à la moindre occasion dans la zone respiratoire de l'inhalateur, où d'autres particules ne pourraient pas entrer. L'utilisation de respirateurs filtrants électriques ou de respirateurs à adduction d'air apporterait une meilleure protection contre les nanoparticules

4. Quitter immédiatement la zone de travail et enlever le respirateur :

- si la respiration devient difficile,
- en cas d'étourdissement ou de désorientation,
- en présence d'odeur, de goût ou autre sensation de contaminant ou
- si le respirateur est endommagé.

5. Ce respirateur ne protège pas les surfaces exposées du visage ou du corps contre les gaz, les vapeurs ou les particules en suspension dans l'air susceptibles d'irriter, de brûler ou d'être absorbées par la peau. Veiller à porter une protection des mains et/ou du corps.

6. Ne pas altérer ni modifier cet appareil. Toute altération ou modification, notamment la peinture, la pose d'autocollants ou l'emploi de pièces de rechange inadaptées, peut réduire la protection et exposer l'utilisateur à un risque de maladie, de lésion ou de mort.

### **LIMITES CONCERNANT LA SANTÉ**

L'utilisateur doit être déclaré apte par un médecin à se servir du respirateur. En outre, il convient de tenir compte de certaines limites physiologiques et psychologiques avant d'utiliser un respirateur. Il s'agit notamment des affections suivantes :

- a) Emphysème
- b) Bronchopneumopathie chronique obstructive
- c) Asthme
- d) Radiographies indiquant une pneumoconiose
- e) Indication de fonction pulmonaire réduite
- f) Coronaropathie
- g) Hypertension sévère ou progressive
- h) Épilepsie (grand mal ou petit mal)

- i) Anémie pernicieuse
- j) Diabète (insipide ou sucré)
- k) Difficultés respiratoires lors du port d'un respirateur à adduction d'air
- l) Claustrophobie ou anxiété lors du port d'un respirateur à adduction d'air
- m) Résultats d'ECG anormaux aux épreuves d'effort ou au repos
- n) Rupture ou perforation de tympan
- o) Prise de médicaments

### **PROGRAMME DE FORMATION**

Ces brèves instructions écrites ne peuvent pas remplacer un programme structuré de formation à l'utilisation du respirateur. Une telle formation devra être suivie préalablement à la première utilisation et devra inclure la possibilité de manipuler le respirateur, d'apprendre comment le contrôler, de le faire ajuster correctement, de le porter dans l'air ambiant pendant une période de familiarisation prolongée et, enfin, de le porter dans une atmosphère d'essai.

Le programme de formation doit être fondé sur la version courante de la réglementation OSHA 29 CFR Section 1910.134, de la norme CSA Z94.4 ou de la norme australienne et néo-zélandaise AS/NZS 1715. Veiller aussi à se familiariser avec toutes les réglementations pertinentes par les diverses autorités réglementaires, notamment ANSI Z88.2 aux États-Unis.

### **ESSAI D'AJUSTEMENT**

Tout respirateur à masque à ajustement serré, avant d'être assigné à un utilisateur, doit faire l'objet d'un essai d'ajustement qualitatif ou quantitatif et les résultats de l'essai doivent indiquer que le masque du respirateur s'ajuste correctement sur la personne. Le masque Série 7600 est proposé en deux tailles. Les lettres « M/L » ou « S » sur le bol bucco-nasal correspondent aux tailles moyenne/grande et petite, respectivement. Voir les instructions de mise en place du respirateur ci-dessous. Avant l'utilisation professionnelle de ce respirateur, un programme écrit de protection respiratoire doit être mis en place et répondre à toutes les exigences des autorités locales. Aux États-Unis, les employeurs doivent se conformer à la norme OSHA 29 CFR 1910.134 qui comprend l'évaluation médicale, la formation et les essais d'ajustement ; au Canada, les employeurs doivent suivre la norme CSA Z94 ; en Australie, les employeurs doivent suivre la norme AS/NZS 1715 pour les procédures d'essais d'ajustement spécifiques ; au Brésil, les employeurs doivent suivre le programme de protection respiratoire de MTE.

### **LÉGENDE DES MISES EN GARDE ET DES LIMITES DE L'ÉTIQUETTE D'APPROBATION NIOSH POUR LES RESPIRATEURS FILTRANTS**

- A** Ne pas utiliser dans des atmosphères contenant moins de 19,5 % d'oxygène.
- B** Ne pas utiliser dans des atmosphères présentant un danger immédiat pour la vie ou la santé.
- C** Ne pas dépasser les concentrations utiles maximales établies par les normes réglementaires.
- H** Respecter les calendriers établis pour le changement des cartouches et boîtes filtrantes ou observer l'indicateur de fin de service (ESLI) pour s'assurer que les cartouches et boîtes filtrantes sont changés avant qu'il se produise une défaillance.
- J** Une utilisation et un entretien incorrects de ce produit peuvent entraîner des lésions ou la mort.
- L** Respecter les instructions du fabricant pour le changement des cartouches, boîtes filtrantes et/ou filtres.

- M** Tous les respirateurs homologués doivent être sélectionnés, ajustés, utilisés et entretenus conformément aux normes OSHA et autres réglementations en vigueur.
  - N** Ne jamais remplacer, modifier, ajouter ni omettre de pièces. Utiliser exclusivement des pièces de rechange correctes dans la configuration spécifiée par le fabricant.
  - O** Voir les informations sur l'utilisation et l'entretien de ces respirateurs dans les instructions d'utilisation et/ou les manuels d'entretien.
  - P** NIOSH n'évalue pas les respirateurs utilisés en tant que masques chirurgicaux.
  - S** Instructions spéciales ou critiques de l'utilisateur et/ou limitations d'utilisation spécifiques. Se référer aux instructions de l'utilisateur avant d'enfiler le vêtement.
- 
- 1** Les cartouches pour gaz et vapeur Honeywell Série N fabriquées après août 2012 nécessitent l'emploi d'une grille araignée (réf. N750038) lorsqu'un filtre de type tampon est utilisé avec la cartouche.
  - 2** Si les cartouches filtrantes comportent un indicateur de fin de service (ESLI), celui-ci doit être visible sans devoir déplacer le masque d'une façon pouvant rompre l'étanchéité entre le masque et le visage.
  - 3** Ce respirateur peut offrir une protection contre les vapeurs organiques et les gaz acides à des niveaux inférieurs à la limite d'exposition autorisée (PEL). Les niveaux de nuisance se réfèrent à des concentrations ne dépassant pas les limites d'exposition professionnelle OSHA, PEL ou d'autres gouvernements, selon la valeur la plus basse.

## CONTRÔLE

Chaque fois que le respirateur doit être porté et avant de l'entreposer, contrôler l'état général et l'usure de tous les éléments. Si un quelconque élément manque ou est endommagé, ne pas utiliser le respirateur.

- 1) Vérifier l'absence de déchirures, trous ou autres dommages au niveau du bol nasal et de la zone de contact facial.
- 2) Vérifier que les soupapes d'inspiration et d'expiration sont en place et en bon état.
- 3) Tirer légèrement sur les sangles de tête pour vérifier qu'elles ne sont pas usées. Contrôler le bon état des boucles de sangle.
- 4) Vérifier que la lentille ne présente aucune fissure ni autre dommage.
- 5) Vérifier que les connecteurs de cartouche sont correctement en place et ne sont pas fissurés.

## AVERTISSEMENT

Si des composants sont manquants ou endommagés, n'utilisez pas ce respirateur tant que tous les composants endommagés ou manquants n'ont pas été remplacés par des pièces de rechange neuves ou inutilisées/intactes approuvées par Honeywell.

En cas de non-respect de ces avertissements, vous vous exposez à des risques de blessures graves, de maladie ou de conséquences mortelles.



## ASSEMBLING THE RESPIRATOR

Pour utiliser ce masque complet en tant que respirateur filtrant, il doit être équipé d'un filtre, d'une cartouche ou d'un combiné filtre-cartouche. Suivre les instructions ci-dessous correspondant au type de filtre ou cartouche utilisé.

- 1) Si seuls des filtres de type tampon sont utilisés, l'ensemble réf. N750037 (comprend deux couvercles N750027 et deux porte-filtres N750015) est nécessaire en plus des deux filtres.
  - a) Placer chaque filtre dans un couvercle de filtre, en respectant les indications d'orientation « This side towards face » (face du côté visage) ou « This side away from face » (face du côté opposé au visage) (Figure 1).
  - b) Encliqueter le couvercle de filtre et le filtre dans le porte-filtre (Figure 2). Continuer à l'étape 5.
- 2) Si vous utilisez une paire de filtres en papier (soit 7506N95, soit 7506R95 ou encore 7506N99) avec une cartouche pour les gaz ou vapeurs, vous aurez besoin de l'article réf. N750036 (comprenant deux couvercles-filtres N750027 et deux supports de filtre N750038) en plus des deux filtres. Assurez-vous que les filtres en papier sont du même type pour garantir une protection appropriée



Figure 1



Figure 2

### 1 – INSTRUCTIONS D'UTILISATION SPÉCIALES OU CRITIQUES

Les ca cartouches fabriquées avant août 2012 comportent un motif grillagé; celles fabriquées après août 2012 présentent un motif circulaire et nécessitent l'emploi d'une araignée (réf. N750038) (Figure 3)

- a) Placez le support de filtre (réf. N750038) sur la cartouche de telle façon à ce que les huit encoches gaufrées reposent sur le cercle intérieur relevé et que l'article réf. N750038 ne soit pas à l'envers (Figure 3)
- b) Placer chaque filtre dans le couvercle de filtre (réf. N750027), en respectant les indications d'orientation « This side towards face » (face du côté visage) ou « This side away from face » (face du côté opposé au visage) (Figure 1). c) Encliqueter le filtre sur la cartouche (Figure 4).



Figure 3



Figure 4

- 3) Si seuls des filtres de type tampon sont utilisés, l'ensemble réf. N750037 (comprend deux couvercles N750027 et deux porte-filtres N750015) est nécessaire en plus des deux filtres.
  - a) Encliqueter le N750035 sur la cartouche
  - b) En prenant garde de ne pas fausser le filetage, attacher le filtre à l'adaptateur. Continuer à l'étape 5
- 4) Si un adaptateur de port dorsal (réf. BP1002) avec toute combinaison de filtres ou cartouches, les attacher au côté fileté mâle de l'adaptateur. Vérifier que les cartouches ou filtres appuient de façon étanche contre le joint sur le connecteur de plaque arrière

## 2 - SPECIAL OR CRITICAL USER'S INSTRUCTIONS

If the air-purifying cartridges have an ESLI, you must be able to see the indicator without moving the facepiece in any way that could break the facepiece-to-face seal. Do not use cartridges with an ESLI if you are using the Backpack Adapter. Failure to follow this instruction will result in the risk of serious illness, injury or death.

- 5) Attacher le filtre, l'ensemble filtrant, la cartouche, le combiné filtre-cartouche ou le dispositif de port dorsal au masque.
  - a) Veiller à ne pas fausser le filetage des filtres ou cartouches.
  - b) Visser les filtres / cartouches jusqu'à ce qu'ils appuient fermement sur le joint et qu'ils rencontrent une nette résistance au vissage. Vérifier que les cartouches sont dans l'alignement du joint de masque et que les connecteurs et les joints de cartouche sont également alignés avec l'intérieur du masque.
  - c) Ne pas forcer le serrage car cela peut fissurer les connecteurs de cartouche (Figure 5).
- 6) Tirer légèrement sur les filtre / cartouches pour vérifier qu'ils sont solidement attachés.

Pour les utilisateurs portant des lunettes correctrices, Honeywell propose plusieurs styles d'inserts pour lunettes. Voir la liste sous PIÈCES SUPPLÉMENTAIRES. Suivre les instructions fournies avec l'insert pour le monter sur le masque.

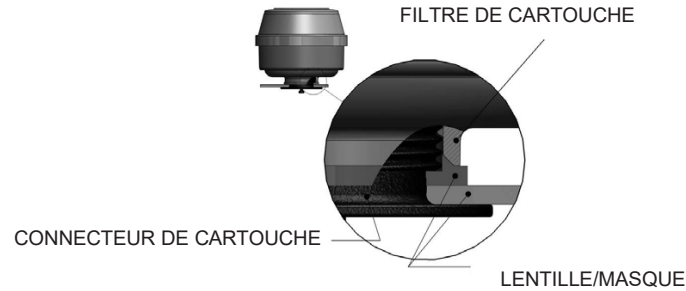


Figure 5

 **AVERTISSEMENTS**

Les homologations NIOSH et AS/NZS et toutes les garanties Honeywell pour ce respirateur sont annulées si des cartouches et/ou filtres d'autres fabricants sont utilisés.

Les filtres, cartouches et combinés filtre-cartouche doivent être les mêmes des deux côtés du respirateur.

Utiliser uniquement des filtres, cartouches ou combinés filtre-cartouche pour la protection contre les contaminants indiqués sur l'étiquette d'approbation NIOSH ou AS/NZS de ce filtre ou cette cartouche.

Ne pas utiliser l'adaptateur de port dorsal avec des cartouches à indicateur de fin de service (ESLI) car il ne serait pas possible de voir les indicateurs et de savoir quand changer les cartouches durant le port du respirateur.

Le non-respect de ces avertissements présente un risque de lésion grave, de maladie ou de mort.

### MISE EN PLACE DU RESPIRATEUR

Suivre les instructions 1 à 4 de la section CONTRÔLE, puis tirer une fois de plus sur les cartouches ou filtres pour vérifier qu'ils sont solidement fixés.

- 1) Enlever le casque ou autre couvre-tête avant de mettre en place le respirateur.
- 2) Allonger les sangles de tête du respirateur jusqu'à leur maximum en tirant sur les pattes pour relâcher la tension des sangles, puis en tirant les sangles vers l'extérieur.
- 3) Placer les mains dans le harnais et les pouces entre les sangles inférieures (Figure 6).
- 4) Pousser le harnais vers le haut contre le front en repoussant les cheveux vers l'arrière à l'écart de la zone d'étanchéité (Figure 7). Continuer de passer le harnais sur la tête jusqu'à ce qu'il soit centré à l'arrière de la tête et que le menton soit engagé dans la mentonnière (Figure 8).
- 5) En commençant par les sangles inférieures, tirer sur les pattes d'extrémité par petites longueurs égales pour s'assurer un serrage uniforme.
- 6) Serrer les sangles supérieures par petites longueurs égales.
- 7) Serrer la sangle du dessus jusqu'à ce que l'ensemble du masque soit centré de façon ferme et confortable sur le visage (Figure 9).



Figure 6



Figure 7



Figure 8



Figure 9

### AVERTISSEMENT

Ne pas utiliser le respirateur s'il n'est pas possible d'obtenir une bonne étanchéité masque-visage pour l'une des raisons suivantes :

1. Pilosité faciale, y compris barbe de quelques jours
2. Lunettes dont les branches entravent l'étanchéité du joint du masque
3. Couvre-tête, accessoires couvrant le visage, bijoux ou tout autre article entravant l'étanchéité du joint
4. Dents ou prothèses dentaires manquantes, malformations faciales ou cicatrices profondes ne permettant pas une bonne étanchéité.

En cas de non-respect de ces avertissements, vous vous exposez à des risques de blessures graves, de maladie ou de conséquences mortelles.

## REMARQUE

Les masques Série 7600 comportent un joint à bride double pour assurer une étanchéité maximale sur le visage. Prendre garde de ne pas trop serrer le respirateur. Un serrage excessif peut déformer le joint et provoquer des fuites entre le masque et le visage.

## CONTRÔLES D'ÉTANCHÉITÉ UTILISATEUR

Avant chaque accès à une atmosphère dangereuse et régulièrement durant le port du respirateur dans la zone contaminée, l'efficacité du joint masque-visage doit être vérifiée par un contrôle d'étanchéité utilisateur.

- 1) Contrôle d'étanchéité utilisateur par pression positive
  - a) Placer la paume de la main sur la soupape d'expiration et expirer normalement (Figure 10).
  - b) Si le masque s'écarte légèrement du visage et qu'il n'y pas de fuite d'air entre le visage et le masque, c'est que l'étanchéité est bonne.
- 2) Contrôle d'étanchéité utilisateur par pression négative
  - a) Placer les paumes des deux mains sur les cartouches ou les couvercles de filtre et inspirer normalement. Retenir sa respiration pendant 5 secondes (Figure 11).
  - b) Si le masque se rapproche légèrement du visage et qu'il n'y pas de fuite d'air entre le visage et le masque, c'est que l'étanchéité est bonne.
- 3) Si une quelconque fuite est détectée, rajuster la position du masque et/ou la tension des sangles de tête. Noter qu'il est parfois nécessaire de desserrer les sangles.
- 4) Répéter le(s) contrôle(s) d'étanchéité utilisateur jusqu'à obtenir une bonne étanchéité. S'il n'est pas possible de réaliser l'étanchéité, ne pas utiliser le respirateur. S'adresser au responsable pour obtenir un respirateur de rechange ou remesurer la taille de respirateur requise.

## AVERTISSEMENT

S'il n'est pas possible de réaliser rapidement une bonne étanchéité alors que le respirateur est porté dans une zone contaminée, quitter immédiatement la zone pour écarter le risque de lésion grave, de maladie ou de mort.



Figure 10



Figure 11



Figure 12

## REMARQUE

OSHA 29 CFR 1910.134 Appendix B exige un contrôle d'étanchéité utilisateur par pression positive ou négative conformément aux instructions du fabricant. La CSA conseille de suivre les instructions du fabricant et fournit des directives de contrôle d'étanchéité utilisateur par pression positive et négative dans Z94.4 Annexe A.

Honeywell fournit des instructions pour les deux contrôles d'étanchéité car de nombreux hygiénistes industriels préfèrent utiliser les deux méthodes, mais l'application de l'une ou l'autre procédure seulement suffit. Si les deux contrôles d'étanchéité, par pression positive et négative, sont prévus, effectuer d'abord le contrôle par pression positive.

L'utilisateur est maintenant prêt à pénétrer la zone contaminée pour lequel le respirateur a été conçu.

## URGENCE DURANT L'UTILISATION

Quitter immédiatement la zone contaminée si la respiration devient difficile, en cas d'étourdissement ou de désorientation, en présence d'odeur, de goût ou autre sensation de contaminant ou si le respirateur est endommagé.

## DURÉE DE SERVICE

Si ce respirateur est utilisé pour la protection contre des gaz ou vapeurs à limite d'exposition professionnelle définie, veiller à suivre un calendrier de remplacement pour s'assurer que les cartouches sont changées avant la fin de leur durée de service. Si les cartouches comportent un indicateur de fin de service (ESLI), les cartouches doivent être changées conformément aux instructions fournies avec la cartouche à ESLI. Les filtres doivent être changés lorsque la respiration devient difficile.

## ENLEVER LE RESPIRATEUR

### AVERTISSEMENT

Avant d'enlever le respirateur, veiller à être dans une atmosphère non contaminée.  
En cas de non-respect de cet avertissement, vous vous exposez à des risques de blessures graves, de maladie ou de conséquences mortelles.

Desserrer les sangles de tête en tirant les verrous de sangle de tête vers le haut pour les libérer (Figure 12). Enlever le respirateur.

## NETTOYER LE MASQUE

Durant les pauses et entre les nettoyages plus complets, utiliser éventuellement une lingette rafraîchissante pour essuyer la partie du masque qui vient au contact du visage. Nettoyage complet :

1. Retirez les composants du respirateur.
  - a. Dévissez les cartouches ou les filtres et disposez ou entreposez-les, selon les instructions offertes dans la section ENTREPOSAGE.
  - b. Dévissez l'adaptateur du sac à dos et retirez l'insertion de lunettes, si utilisée.
  - c. Retirez la coquille orale/nasale en la tirant hors du logement de la membrane phonique.
  - d. Retirez les soupapes d'inspiration et les sièges des soupapes dans la coquille orale/nasale.
  - e. Dévissez le dispositif de protection de la soupape d'expiration du siège. Retirez la soupape et le siège de la soupape, ainsi que la bride à visser qui maintient le siège de la soupape.
  - f. Retirez la membrane phonique en dévissant l'écrou de la membrane phonique à l'extérieur du masque. Poussez le logement de la membrane phonique dans le masque afin de le retirer. Tournez la bague de verrouillage dans le sens contraire des aiguilles d'une montre afin d'enlever la membrane phonique, en veillant à ne pas perdre les deux joints toriques orange.
  - g. Appuyez sur les connecteurs de la cartouche pour les désarçonner des joints. Retirez les joints de la cartouche des verres.
2. Inspectez tous les composants afin de déceler toute usure ou tout dommage.
  - a. Vérifiez les composants pour des signes d'usure comme des trous, des déchirures, des fendillements ou autres.
  - b. **Remplacez tous composants endommagés ou manquants.**
3. Nettoyez les composants du masque
  - a. Préparez une solution de nettoyant désinfectant conformément aux instructions.
  - b. Lavez méticuleusement le masque et les composants dans la solution de nettoyant désinfectant. Servez-vous d'une brosse à poils doux sur le masque et le capuchon afin de déloger toutes les saletés.
  - c. Rincez le masque et les composants dans de l'eau chaude propre, puis laissez sécher complètement.
4. Réassemblez votre masque en suivant toutes les étapes indiquées à la section INSPECTION. Utilisez le schéma des PIÈCES DE RECHANGE à la fin des instructions d'utilisation ou sur l'affiche des Pièces de rechange pourmasque d'Honeywell.
  - a. Inspectez tous les composants à mesure que vous les assemblez. Remplacez tous ceux qui sont endommagés ou manquants. Assurez-vous que la coquille orale/nasale est de la même taille que le masque en vérifiant la/les lettre(s) à l'avant de la coquille orale/nasale. Si vous avez un modèle 760008A, la coquille devrait avoir un « M/G » (moyen/grand) (n° p. 80815-H5), et si vous avez un modèle 760008AS, la coquille devrait avoir un « P » (petit) (n° p. 80800-H5).
  - b. Placez l'œillet (n° p. 80871A) dans les verres, en veillant à ce que la bride plus grande se trouve à l'intérieur et que les brides intérieure et extérieure soient posées à plat contre les verres.
  - c. Fixez le jeu de soupapes d'inspiration (n° p. 770017) sur les connecteurs de la cartouche (n° p. 770016), en vous assurant qu'elles reposent à plat contre les connecteurs.
  - d. Insérez les connecteurs de la cartouche en poussant dans les onglets à partir de l'intérieur du masque. Assurez-vous que les connecteurs sont complètement insérés et couchés à plat contre les brides.
  - e. Insérez la membrane phonique (n° p. 80870-H5) dans le logement de la membrane phonique (n° p. 80858-H5) de façon à ce que les trous dans la membrane phonique fassent face vers l'extérieur, et que le plus petit joint torique orange (n° p. 80857A) se trouve entre la membrane phonique et le logement. Placez la bague de verrouillage sur le dessus de la membrane phonique et serrez à la main en tournant dans le sens des aiguilles d'une montre.
  - f. Placez le plus grand des joints toriques (n° p. 80861A) sur le logement de la membrane phonique et insérez l'assemblage dans



le plus grand orifice des verres afin que les clés dans l'orifice s'alignent avec les encoches dans le logement, et que le joint torique se trouve entre l'intérieur des verres et le logement de la membrane phonique. Lorsqu'insérés correctement, les filets du logement seront complètement à travers les verres et le logement reposera à égalité contre l'intérieur des verres.

- g. Insérez l'écrou extérieur (n° p. 80862-H5) sur les filets du logement et serrez à la main en tournant dans le sens des aiguilles d'une montre.
- h. Placez les soupapes d'inspiration restantes (n° p. 770017) sur les sièges des soupapes (n° p. 80814A) pour la coquille orale/nasale (n° p. 80815 pour moyen/grand ou 80800-H5 pour petit) en vous assurant qu'elles reposent bien à plat contre les sièges. Insérez l'assemblage du siège et la soupape d'inspiration dans la coquille orale/nasale.
- i. Placez la coquille orale/nasale en tirant d'abord la bride inférieure sur la coquille à travers l'orifice sur les verres afin qu'elle repose à

égalité avec les verres. Redressez la coquille en la tournant jusqu'à ce que la partie nasale se situe en haut. Faites entrer la plus grande ouverture de la coquille dans l'encoche du logement de la membrane phonique qui se trouve la plus éloignée des verres.

- j. Insérez la soupape d'exhalation (n° p. 770018) dans le siège de la soupape d'exhalation (n° p. 80862-H5) et tirez sur l'onglet jusqu'à ce que vous entendiez un « clic ». Lorsqu'insérée correctement, la partie plate de la soupape d'exhalation se retrouvera sur le côté fileté du siège et reposera à égalité avec le siège.
- k. Poussez l'assemblage de la soupape d'exhalation à travers l'ouverture inférieure de la coquille orale/nasale, qui se trouve maintenant fixée au masque. Vous devrez peut-être appliquer une légère pression pour insérer complètement l'assemblage. Insérez le dispositif de protection du logement d'exhalation (n° p. 80867-H5) sur les filets du logement et tournez dans le sens des aiguilles d'une montre.

### AVERTISSEMENT

Ne jamais laisser les cartouches ou les filtres venir au contact de l'eau ou des solutions nettoyantes et désinfectantes. L'humidité peut endommager les cartouches ou les filtres et le non-respect de ces avertissements présente un risque de lésion grave, de maladie ou de mort.

### REPLACEMENT DE LA LENTILLE ET DES SERRE-LENTILLES

Le nettoyage courant ne nécessite pas le démontage de la lentille et des serre-lentilles. Pour un nettoyage complet ou une réparation, il peut être nécessaire de les démonter et/ou les remplacer. Outillage nécessaire : tournevis Phillips et pince à becs fins.

Démontage :

- 1) Suivre les instructions ci-dessus pour démonter toutes les autres pièces.
- 2) Utiliser la pince à becs fins pour tenir les écrous sur le serre-lentille et desserrer les vis sur l'autre côté sur serre-lentille.
- 3) Détacher les serre-lentilles du joint facial.
- 4) Détacher le joint facial de la lentille.

Remontage :

- 1) Enfiler le joint facial sur le masque en s'assurant qu'il est centré et qu'il n'y a aucun interstice.
- 2) Enfiler les serre-lentilles supérieur et inférieur sur la lentille et le joint facial.
- 3) Utiliser la pince à becs fins pour réunir les deux serre-lentilles. Insérer les vis avec le côté fileté vers le haut.
- 4) Placer un écrou dans chaque logement du serre-lentille, le visser sur la vis et le serrer.

#### **ATTENTION**

Ne pas utiliser de produit nettoyant abrasif sur la lentille. Les abrasifs peuvent détacher le revêtement protecteur de la lentille et l'exposer aux rayures et à la dégradation chimique.

#### **ENTREPOSAGE**

Entreposer dans un endroit propre et sec à l'abri de tout risque de contamination. Utiliser le sachet d'entreposage de respirateur fourni avec le masque ou tout autre contenant hermétique pour protéger le masque. Les conditions d'entreposage optimales sont une température ambiante comprise entre 10 °C (50 °F) et 38 °C (100 °F).

#### **AVERTISSEMENT**

Ne jamais entreposer le masque avec des cartouches ou des filtres qui ont été exposés à des contaminants. Si des cartouches et/ou des filtres doivent être réutilisés, les placer dans un sachet ou récipient hermétique séparé. Ne pas exposer au soleil, à des substances chimiques polluantes ou à la poussière.

Les cartouches qui ont été exposées à des contaminants à bas point d'ébullition et tous les filtres de classe NIOSH R qui ont été exposés à des aérosols à base d'huile doivent être mis au rebut à la fin du quart de travail.

En cas de non-respect de ces avertissements, vous vous exposez à des risques de blessures graves, de maladie ou de conséquences mortelles

### REMARQUE

Lors de l'élimination de cartouches, masques ou autre éléments contaminés, respecter les réglementations locales, provinciales et nationales en vigueur concernant l'élimination de matières dangereuses et/ou d'articles contaminés. Consulter son supérieur hiérarchique et/ou les autorités compétentes.

### ATTENTION

Ne pas exposer le respirateur à une chaleur excessive (supérieure à 60 ° C [140 ° F]), à l'humidité ou à des substances contaminantes, ni empiler un poids excessif sur le masque ou les composants pendant le stockage, car de telles conditions pourraient déformer le masque, ce qui pourrait en rendre pour obtenir un ajustement parfait la prochaine fois que le masque est porté, sinon ils pourraient compromettre la fonctionnalité du composant.

## PIÈCES DE RECHANGE

### Ensemble complet

Pour respirateurs homologués NIOSH :

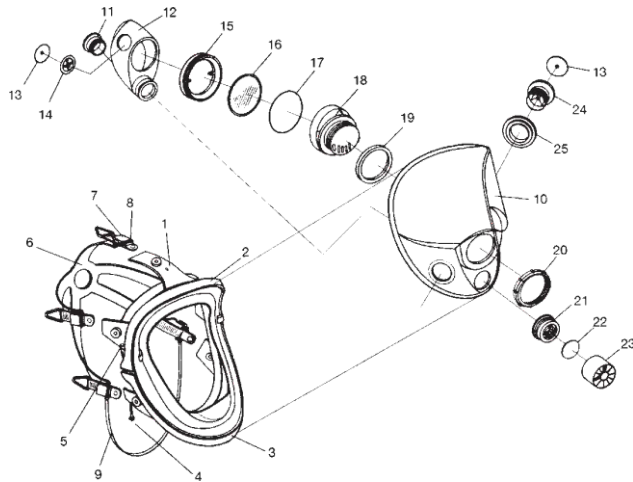
760008A, S Masque complet, moyen/grand et petit

760008AW, SW Masque complet avec accessoire de soudage, moyen/grand et petit

Pour respirateurs homologués AS/NZS :

760008AA, S Masque complet, moyen/grand et petit

760008AAW, SW Masque complet avec accessoire de soudage, moyen/grand et petit



### Pièces de rechange

1a	80840-H5	Masque de base, moy./grd
1b	80801-H5	Masque de base, petit
2 et 3	80798-H5	Serre-lentilles, supérieure et inférieure (1 jeu)
4	80843A	Vis de serre-lentille
5	80844A	Écrou de serre-lentille
6	80845	Sangle de tête, sans visserie
7	80846A	Verrou de sangle de tête
8	80847A	Anse de sangle de tête
9	80848-H5	Sangle de cou
10	80849-H5	Lentille
11	80852-H5	Bride
12a	80815-H5	Bol bucco-nasal, moy./grd
12b	80800-H5	Bol bucco-nasal, petit
13	770017	Soupape d'inspiration
14	80814A	Siège de soupape pour bol bucco-nasal
15	80855-H5	Bague de blocage
16	80870-H5	Membrane phonique
17	80857A	Joint torique de membrane phonique
18	80858-H5	Logement de membrane phonique
19	80861A	Joint torique de membrane phonique
20	80862-H5	Écrou d'adaptateur
21	80863-H5	Siège de soupape d'expiration
22	770018	Soupape d'expiration
23	80867-H5	Protège-soupape d'expiration
24	770016	Connecteur de cartouche
25	80871A	Œillet

## **PIÈCES SUPPLÉMENTAIRES**

### **Réf. Description**

#### **Porte-filtres et cartouches**

N750035	Adaptateur pour la fixation de filtres minces sur des cartouches pour gaz ou vapeur
N750036	Ensemble pour filtres. Comprend deux (2) couvercles N750027 et deux (2) araignées N750038 pour la pose de tampons filtres sur des cartouches pour gaz et vapeur
N750037	Ensemble pour filtres. Comprend deux (2) couvercles N750027 et deux (2) porte-filtres N750015 pour attacher les filtres au masque
N750037A	Ensemble pour filtres. Comprend deux (2) couvercles N750027 et deux (2) porte-filtres N750015 pour attacher les filtres au masque
BP1002	Adaptateur de port dorsal

#### **Accessoire de soudage**

8404-H5	Ensemble accessoire de soudage, pour transformer le 7600 en masque de soudage
8419	Écran de soudage ignifuge (respirateurs homologués NIOSH seulement)

#### **Inserts pour lunettes et lentilles décollables**

80100-H5	Insert pour lunettes, cadre plastique à ventouse
760023	Insert pour lunettes, cadre métallique à ressort
760024	Insert pour lunettes, cadre métallique à ventouse
80836A	Lentille décollable. Jeux de trois lentilles décollables, cinq jeux par paquet

## **GARANTIE LIMITÉE**

**Honeywell Safety Products garantit ce masque au propriétaire d'origine contre les défauts de matériau et de fabrication pendant une période d'un (1) an à compter de la date d'expédition initiale de l'usine Honeywell. L'obligation d'Honeywell en vertu de la présente garantie sera, à la discrétion d'Honeywell, de réparer ou de remplacer sans frais le masque ou un quelconque de ses éléments dont Honeywell aura déterminé qu'il est défectueux pendant la période de garantie, selon les modalités ci-dessous :**

1. Le recours à la garantie est effectué (i) par le propriétaire qui a acheté le masque Série 7600 neuf auprès d'Honeywell ou d'un distributeur Honeywell agréé et (ii) pas plus de trois (3) mois après la fin de la période de garantie.
2. Le masque Série 7600 ou l'élément a été jugé défectueux par Honeywell dans des conditions normales d'utilisation et d'entretien pendant la période de garantie d'un (1) an à compter de la date d'achat par le propriétaire.
3. Le masque Série 7600 ou l'élément est renvoyé à Honeywell en port payé, soit à son usine, soit à un centre de réparation agréé Honeywell, et est par la suite renvoyé au propriétaire en port dû.
4. La présente garantie ne s'applique pas (i) à un quelconque masque Série 7600 ou à un élément qu'Honeywell aura jugé défectueux suite à un accident, une modification, un emploi abusif ou détourné ou un entretien avec des pièces non approuvées par Honeywell; (ii) à la détérioration ou au vieillissement d'un quelconque élément fabriqué en caoutchouc ou autre élastomère, étant donné que ces éléments peuvent être détériorés par une exposition excessive à la chaleur, au soleil, à l'eau, aux produits chimiques, à l'ozone ou à d'autres éléments délétères; ou (iii) aux pièces devenues défectueuses suite à un emploi normal. La détermination de ce qui constitue un emploi normal relève entièrement de HONEYWELL SAFETY PRODUCTS.
5. Pour bénéficier de la présente garantie, l'acheteur doit effectuer l'entretien et les inspections indiqués dans le présent manuel d'instruction, qui doivent inclure le remplacement et la réparation rapides des pièces défectueuses.

**LE PROPRIÉTAIRE ASSUME TOUS LES AUTRES RISQUES ÉVENTUELS, NOTAMMENT LE RISQUE DE PERTES OU DOMMAGES DIRECTS, INDIRECTS OU CONSÉCUTIFS RÉSULTANT DE L'UTILISATION OU DE L'INCAPACITÉ D'UTILISATION DU PRODUIT. L'ENTRETIEN COURANT DES RESPIRATEURS HONEYWELL AVEC DES PIÈCES NON APPROUVÉES PAR HONEYWELL ANNULERA LA GARANTIE AINSI QUE LES APPROBATIONS DE LA NIOSH ET DE L'AS/NZS POUR LES APPAREILS RESPIRATOIRES. CETTE GARANTIE LIMITÉE REMPLACE TOUTE AUTRE GARANTIE, EXPRESSE OU IMPLICITE, ET NE PEUT PAS ÊTRE MODIFIÉE OU ÉTENDUE SAUF PAR ÉCRIT PAR UN AGENT AUTORISÉ DE HONEYWELL SAFETY PRODUCTS.**

## **Máscara Completa Serie 7600** *Manual de Instrucciones de Operación y Mantenimiento*

---

**Honeywell International Inc.**  
855 S. Mint. St.  
Charlotte NC. 28202  
EE. UU.  
Teléfono: 800 873 5242

**Honeywell Ind. de Tecnologia Ltda.**  
CNPJ 00.094.716/0002-09  
Rua Oswaldo Cruz, 615 - Itajubá/MG -  
+55 11 3711 6770  
Atendimento.hppe.br@honeywell.com

**Honeywell Safety Products Australia Pty Ltd.**  
45 Grosvenor Street  
Abbotsford. Vic 3067.  
Australia  
Teléfono (Australia): +61 1300 139 166  
Teléfono (Nueva Zelanda): +64 80 032 2200

## **INTRODUCCIÓN**

La Serie 7600 consta de máscaras completas que son un componente de un respirador completo. Los componentes de estos respiradores se venden por separado. Sólo se deben utilizar aquellos componentes fabricados por Honeywell que aparecen en la lista de la etiqueta de aprobación. Estas Instrucciones del usuario se refieren únicamente al uso y mantenimiento de esta máscara completa, y al montaje y uso de esta máscara completa como un respirador purificador de aire. Este respirador deberá ser utilizado y mantenido solamente por individuos que hayan leído y entendido completamente las instrucciones contenidas en este Manual de Instrucciones y cualesquiera otros Manuales de Instrucciones de Operación y Mantenimiento incluidos con los demás componentes de un respirador completo. Para obtener información adicional y la lista de todos los componentes aprobados, refiérase al sitio web de Honeywell en [www.honeywellsafety.com](http://www.honeywellsafety.com).

**Antes de usar este respirador con fines profesionales, se debe implementar un programa de protección respiratoria por escrito que cumpla con todos los requisitos gubernamentales locales. En los Estados Unidos, los empleadores deben cumplir con el título 29 del CFR 1910.134 de la OSHA, que incluye evaluación médica, capacitación y prueba de ajuste.**

## **CERTIFICACIONES NIOSH**

Cuando se utilizan los componentes que aparecen en la lista de la Etiqueta de aprobación NIOSH, estos respiradores están aprobados como parte de respiradores purificadores de aire, respiradores purificadores de aire forzado o respiradores de aire suministrado. Consulte las Instrucciones del Usuario de tales componentes y las etiquetas de aprobación NIOSH suministradas con estos productos para ver la lista de todos los componentes que deben utilizarse para armar un respirador completo aprobado por NIOSH. Cuando se utilizan como respiradores purificadores de aire, la serie 7600 brinda protección contra gases, vapores y/o partículas peligrosas donde la concentración de estos no es superior a 50 veces el Límite de Exposición Permissible (PEL); está por debajo del umbral de contaminantes considerados inmediatamente peligrosos para la vida o la salud (IDLH); y el nivel de oxígeno es suficiente de acuerdo a los requisitos OSHA o CSA. Este respirador ofrece alivio contra niveles molestos de vapores orgánicos, gases ácidos y ozono que estén por debajo del límite de exposición permisible (PEL) cuando se usa con el filtro 75FFP100NL. Niveles molestos se refiere a las concentraciones que no superen el PEL de la OSHA u otros límites de exposición gubernamentales para ambientes profesionales, el que sea más bajo

## **CERTIFICACIONES AUSTRALIANAS**

Cuando se utilizan los componentes que aparecen en la lista de la Etiqueta de Aprobación de Australia y Nueva Zelanda, estos respiradores están aprobados bajo la Norma 1716.2012 Lic.SMK 0563 de Australia y Nueva Zelanda para protección respiratoria contra gases, vapores y/o partículas peligrosas; dependiendo de los cartuchos purificadores de aire y/o los filtros utilizados y la concentración y/o la toxicidad del contaminante; y si hay suficiente oxígeno presente en la atmósfera contaminada para preservar la vida.

## **CERTIFICACIONES DE BRASIL**

Estos respiradores cuentan con aprobación de conformidad con las normas de Brasil NBR 13695, NBR 13696 y NBR 13697 correspondientes a protección respiratoria contra gases, vapores o partículas peligrosos, en función de los filtros o de los cartuchos purificadores de aire usados y la concentración o la toxicidad de los contaminantes, así como de la presencia de oxígeno suficiente en la atmósfera contaminada para soporte vital.



## TERMINOLOGÍA

Las advertencias, precauciones y avisos que contiene este manual tienen el siguiente significado:

### AVISO

Procedimientos y técnicas que se consideran lo suficientemente importantes para ser enfatizados.

### ATENCIÓN

Procedimientos y técnicas que, si no se observan cuidadosamente, podrían ocasionar daños al equipo.

### ADVERTENCIA

Procedimientos y técnicas que, si no se observan cuidadosamente, podrían exponer al usuario al riesgo de lesiones graves, enfermedad o la muerte.

### ADVERTENCIA

**¡El uso inadecuado del respirador puede resultar peligroso o mortal!  
Por su seguridad, lea y observe estas directrices. Si  
no las entiende, ¡pregunte a su supervisor!**

1. El incumplimiento de estas instrucciones y advertencias podría resultar en la exposición a materiales peligrosos, exponiendo al usuario al riesgo de lesión grave, enfermedad o muerte. Estas instrucciones **NO APLICAN** si se está utilizando la máscara completa como parte de un respirador purificador de aire forzado o respirador de aire abastecido. Consulte las Instrucciones del usuario para esos componentes.
2. Nunca utilice este respirador:
  - Para realizar u observar operaciones de limpieza con chorro de arena o chorro abrasivo;
  - Para combatir incendios;
  - En atmósferas sin suficiente oxígeno (cualquier atmósfera con menos de 19,5% de oxígeno por volumen a nivel del mar);

- En atmósferas donde se desconocen las concentraciones de los contaminantes tóxicos o donde son directamente peligrosos para la vida o para la salud. Una atmósfera directamente peligrosa para la vida o la salud es aquella que tiene una concentración de alguna sustancia tóxica, corrosiva o asfixiante, que presente una amenaza directa a la vida, que pueda producir efectos debilitantes irreversibles sobre la salud o que pueda interferir con la capacidad para escapar de una atmósfera peligrosa.
- En atmósferas donde la concentración del contaminante exceda:
  - i. *Si es parte de un Programa de Protección Respiratoria de la OSHA o la CSA:*
    1. 50 veces el Límite de Exposición Permisible (PEL) del contaminante. PEL se define como la concentración máxima permisible de 8 horas de tiempo promedio ponderado (TPP) establecido por las normativas de la OSHA u otras normativas gubernamentales aplicables, o por NIOSH, ACGIH o CSA.
    2. Cualquier Concentración de uso máximo más baja para ese contaminante establecida por las normativas de la OSHA u otras normativas gubernamentales, las publicaciones de NIOSH, ACGIH o CSA, o mostrada en la Hoja de Datos de Seguridad de Materiales del contaminante.
  - ii. *Si es parte de un Programa de Protección Respiratoria de Worksafe Australia:*
    1. En atmósferas donde la concentración del contaminante es superior a 50 veces el límite de exposición permisible del contaminante establecido por Worksafe Australia u otras regulaciones gubernamentales.
  - iii. *De ser parte de un programa de protección respiratoria del Ministerio de Trabajo (MTE) de Brasil:*
    1. En atmósferas donde la concentración del contaminante supera 100 veces el límite de exposición permisible del contaminante establecido por la norma NR 15 u otra norma gubernamental
- Con cualesquiera filtros o cartuchos otros que aquellos certificados para uso con esta máscara por la organización certificadora apropiada.
- Para proteger contra contaminantes no indicados en la etiqueta de ese filtro o cartucho.
  - i. *Si es parte de un Programa de Protección Respiratoria de la OSHA o CSA, la etiqueta es la etiqueta de aprobación NIOSH incluida con los cartuchos de aprobación NIOSH e incluida con estas Instrucciones del usuario.*
  - ii. *Si es parte de un Programa de Protección Respiratoria de Worksafe Australia, las capacidades de los filtros y cartuchos se marcan en los cartuchos certificados para los Estándares de Australia y Nueva Zelanda como P, A, B, E y/o K.*
  - iii. *Si estos contaminantes están incluidos en las instrucciones para el usuario del filtro o del cartucho*
- Para proteger contra aerosoles a base de aceite a menos que se utilice un filtro 'R' o 'P' (definidos por NIOSH) cuando se utiliza el respirador como parte de un Programa de Protección Respiratoria de la OSHA o CSA.
- Sin un Indicador de fin de vida útil (ESLI) en el cartucho para el gas y/o el vapor presentes, o bien un programa establecido de cambio de cartucho para todos los gases y vapores para los cuales no haya un ESLI.
- En áreas con ventilación deficiente, o espacios confinados tales como tanques, habitaciones pequeñas, túneles o recipientes, a menos que el espacio confinado esté bien ventilado y se sepa que la concentración de los contaminantes tóxicos es menor y seguirá siendo menor que la concentración máxima de uso recomendada para el respirador.

3. PARA USO EN ENTORNOS QUE IMPLICAN NANOTECNOLOGÍA: La OSHA recomienda el uso de filtros de alta eficacia (HEPA) o de filtros de partículas equivalentes del título 42 del CFR 84 del NIOSH (N100, R100 o P100) para la protección contra la exposición a las partículas creadas durante los procesos que implican nanotecnología. P3 es el equivalente según las normas AS/NZS y NBR. Se define como nanopartículas a la materia de, aproximadamente, 1 a 100 nanómetros (nm). Los respiradores purificadores de aire reducen, pero no eliminan por completo, la exposición a estos contaminantes. Debido a su tamaño extremadamente pequeño, las nanopartículas podrían ingresar en la zona de respiración desde cualquier abertura diminuta que hubiera en la máscara, por donde otras partículas no podrían ingresar. El uso de respiradores purificadores de aire eléctricos o de respiradores con suministro de aire proporcionarían una mejor protección contra las nanopartículas
4. Abandone inmediatamente el área de trabajo y quítese el respirador si:
  - Se dificulta la respiración;
  - Se maree o se desorienta;
  - Usted huele, saborea o de alguna otra forma detecta contaminantes;
  - Su respirador se ha dañado.
5. Este respirador no protegerá áreas expuestas de la cara o del cuerpo contra gases, vapores o partículas aerotransportadas que pueden irritar, quemar o ser absorbidas a través de la piel. Usted debe usar protección para las manos y/o el cuerpo
6. No altere ni modifique de ninguna forma este dispositivo. Cualesquiera alteraciones o modificaciones, incluyendo pintura, pegadura de etiquetas o el uso de partes de repuesto no aprobadas, pueden reducir la protección y exponer al usuario al riesgo de enfermedad, lesión o muerte

#### **LIMITACIONES DE SALUD**

Usted deberá estar certificado como médicamente apto antes de usar este respirador. Además hay limitaciones tanto fisiológicas como psicológicas que se deben tener en cuenta antes de usar respiradores. Estas incluyen, pero no se limitan a:

- a) Enfisema
- b) Enfermedad pulmonar obstructiva crónica
- c) Asma bronquial
- d) Evidencia de neumoconiosis en una radiografía
- e) Evidencia de función pulmonar reducida
- f) Enfermedad arterial coronaria
- g) Hipertensión severa o progresiva
- h) Epilepsia (gran mal o mal leve)
- i) Anemia perniciosa
- j) Diabetes (insípida o mellitus)
- k) Dificultad respiratoria al usar un respirador de aire suministrado
- l) Claustrofobia o ansiedad al usar un respirador de aire suministrado

- m) Resultados anormales de EKG en pruebas en reposo o de esfuerzo
- n) Tímpano punzado o roto
- o) Medicamentos

### **PROGRAMA DE CAPACITACIÓN**

Estas breves instrucciones escritas no sustituyen un programa formal de capacitación para el uso del respirador. Tal capacitación debe tomarse antes de utilizar este producto por primera vez y deberá incluir una oportunidad para que usted maneje el respirador, aprenda a inspeccionarlo, lo ajuste correctamente, lo use con aire normal por un período prolongado para familiarizarse con el mismo, y finalmente, lo use en una atmósfera de prueba.

El Programa de Capacitación deberá estar basado en la norma más reciente de OSHA, 29 CFR Sección 1910.134, norma Z94.4 de CSA, la norma 1715 de Australia y Nueva Zelanda o el Programa de Protección Respiratoria en Brasil (MTE). También deberá estar familiarizado con cualesquiera otras regulaciones pertinentes promulgadas por diversas Autoridades reguladoras, incluyendo ANSI Z88.2 en EE.UU.

### **PRUEBA DE AJUSTE**

No se le debe asignar a ningún usuario un respirador con una máscara ceñida hasta que el usuario haya pasado por una prueba de ajuste cualitativa o cuantitativa del respirador y los resultados de la misma indiquen que el ajuste de la máscara es adecuado para esa persona. La máscara de la Serie 7600 está disponible en dos tamaños. Las letras "M/L" o "S" en la copa oral/nasal indican los tamaños Mediano/Grande o Pequeño. Consulte las instrucciones que se dan abajo para colocarse el respirador. Antes del uso de este respirador, se debe implementar un programa escrito de protección respiratoria que cumpla con todos los requisitos del gobierno local. En los Estados Unidos, los empleadores deben cumplir con OSHA 29 CFR 1910.134 que incluye evaluación médica, capacitación y pruebas de ajuste. En Canadá, los empleadores deben seguir la norma CSA Z94; en Australia, los empleadores deben seguir la norma (AS/NZS 1715) para procedimientos específicos de pruebas de ajuste; en Brasil, los empleadores deben seguir el programa de protección respiratoria MTE.

### **CLAVE DE LAS ADVERTENCIAS Y LIMITACIONES PARA LOS RESPIRADORES PURIFICADORES DE AIRE QUE APARECEN EN LA ETIQUETA DE APROBACIÓN NIOSH**

- A** No se debe usar en atmósferas que contengan menos del 19,5 por ciento de oxígeno.
- B** No se debe usar en atmósferas que sean directamente peligrosas para la vida o la salud.
- C** No exceda las concentraciones de uso máximo establecidas por los estándares reguladores.
- H** Siga los programas establecidos de cambio de cartuchos y latas pequeñas u observe el indicador de fin de vida útil (ESLI) para asegurar el reemplazo de los cartuchos y las latas pequeñas antes de que ocurra una ruptura.
- J** Si este producto no se usa y se mantiene correctamente, se pueden producir lesiones o la muerte.
- L** Siga la Instrucción para el Usuario publicada por el fabricante para cambiar los cartuchos, latas y/o filtros.
- M** Todos los respiradores aprobados se deben seleccionar, ajustar, usar y mantener de acuerdo con las regulaciones de OSHA y otras regulaciones aplicables.
- N** Nunca sustituya, modifique, añada u omita partes. Utilice únicamente partes de repuesto exactas en la configuración, según la especificación del fabricante.

- O** Consulte los manuales de instrucciones y/o de mantenimiento para obtener la información sobre el uso y mantenimiento de estos respiradores.
- P** NIOSH no evalúa los respiradores para uso como máscaras de cirugía.
- S** Instrucciones Especiales o Críticas y/o Limitaciones de uso específicas: Consulte las instrucciones de uso antes de colocarse el equipo.
- 1** Los cartuchos de gas y vapor de la Serie N de Honeywell fabricados después de agosto de 2012 requieren el uso de una rejilla redonda tipo telaraña (P/N N750038) cuando se utiliza un filtro de tipo almohadilla con el cartucho.
- 2** Si los cartuchos purificadores de aire tienen un indicador de fin de vida útil (ESLI), éste deberá ser visible sin tener que mover la máscara de ninguna forma que pueda romper el sello de la cara con la máscara.
- 3** Este respirador puede ofrecer alivio en niveles molestos de vapores orgánicos y gases ácidos que están por debajo del límite de exposición permisible (PEL). Los niveles molestos se refieren a concentraciones que no superan el PEL de OSHA u otros límites de exposición ocupacional gubernamental, aquel con rango inferior.

### **INSPECCIÓN**

Cada vez y toda vez que usted se ponga su respirador y antes de almacenarlo, debe inspeccionar todos los componentes para ver si están desgastados o dañados. Si cualquier componente falta o está dañado, no utilice el respirador.

- 1) Verifique que no hayan rasgaduras, agujeros u otros daños en la copa para la nariz y el área de sello.
  - 2) Revise las válvulas de inhalación y exhalación para asegurarse que no falten ni estén dañadas.
  - 3) Tire ligeramente de las correas para la cabeza para asegurarse que no estén desgastadas. Verifique que las hebillas de la correa para la cabeza no estén dañadas.
  - 4) Revise la lente para ver si está rajada o tiene otros daños.
  - 5) Revise los conectores del cartucho para asegurarse que estén bien asentados y no estén rajados.
- Si cualesquiera componentes faltan o están dañados, no utilice el respirador.

### **ADVERTENCIA**

Si alguno de los componentes falta o está dañado, no use este respirador hasta que todos los componentes dañados o faltantes se hayan reemplazado con piezas de repuesto Honeywell nuevas o sin usar/sin daños aprobadas por el NIOSH. La falta de cumplimiento de estas advertencias podría tener como consecuencia lesiones graves, enfermedades o la muerte.

## CÓMO ENSAMBLAR EL RESPIRADOR

Para usar esta máscara completa como un respirador purificador de aire, se le debe conectar un filtro, un cartucho o una combinación de cartucho y filtro. Siga las instrucciones que se dan a continuación para el tipo de filtro o cartucho que esté usando.

- 1) Si está utilizando un filtro de tipo almohadilla únicamente, necesitará el componente P/N N750037 (incluye dos cubiertas N750027 y dos soportes de filtro N750015) además de los dos filtros.
  - a) Coloque cada filtro en la cubierta para filtros, prestando atención a las instrucciones en el filtro “este lado hacia la cara” o “este lado alejado de la cara” (Figura 1).
  - b) Enganche la cubierta para filtros y el filtro en el soporte de filtro (Figura 2). Proceda al Paso 5.
- 2) Si usa un par de filtros de tipo almohadilla (7506N95, 7506R95 o 7506N99) con un cartucho para gas o vapor, necesitará la pieza número N750036 (incluye dos cubiertas para filtro N750027 y dos crucetas para filtro N750038) además de los dos filtros. Es muy importante que controle que los dos filtros de almohadilla sean del mismo tipo para que proporcionen la protección adecuada.

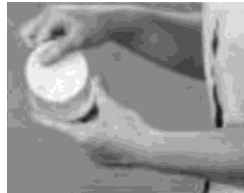


Figura 1



Figura 2

## 1 – INSTRUCCIONES ESPECIALES O CRÍTICAS PARA EL USUARIO

Los cartuchos de gas y vapor de la Serie N de Honeywell fabricados después de agosto de 2012 requieren el uso de una rejilla redonda tipo telaraña (P/N N750038) cuando se utiliza un filtro de tipo almohadilla con el cartucho. El incumplimiento de estas advertencias resultará en el riesgo de lesiones graves, enfermedad o muerte

- a) Coloque la cruceta para filtro (P/N N750038) en el cartucho de manera que las ocho muescas endentadas en el círculo interior en relieve y el número de pieza "N750038" no queden hacia atrás.
- b) Coloque cada filtro en la cubierta para filtros (P/N N750027), prestando atención a las instrucciones en el filtro "este lado hacia la cara" o "este lado alejado de la cara" (Figura 1).
- c) Enganche el conjunto del filtro en el cartucho (Figura 4). Proceda al Paso 5.



Figura 3

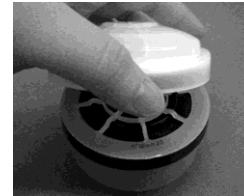


Figura 4

- 3) Si está usando filtros de bajo perfil con un cartucho de gas o vapor, necesitará dos adaptadores N750035 además de los filtros.
  - a) Enganche el adaptador N750035 en el cartucho.
  - b) Instale el filtro en el adaptador, teniendo cuidado para no enroscarlos en forma incorrecta. Proceda al Paso 5.
- 4) Si está utilizando el Adaptador dorsal (P/N BP1002) con cualquier combinación de filtros o cartuchos, móntelos en el extremo roscado macho del adaptador. Verifique que los cartuchos o filtros estén efectivamente sellados contra la empaquetadura en el conector de placa posterior.

## 2 – INSTRUCCIONES ESPECIALES O CRÍTICAS PARA EL USUARIO

Si los cartuchos purificadores de aire tienen un indicador de fin de vida útil (ESLI), éste deberá ser visible sin tener que mover la máscara de ninguna forma que pueda romper el sello de la cara con la máscara. No utilice cartuchos con un indicador de fin de vida útil (ESLI) si está usando el Adaptador dorsal.

- 5) Instale su filtro, conjunto de filtro, cartucho, filtro/cartucho o conjunto dorsal en la máscara.
  - a) Asegúrese de enroscar los filtros o cartuchos de forma correcta.
  - b) Gire los filtros o cartuchos hasta que queden bien asentados contra la empaquetadura y usted sienta resistencia al tratar de seguir girándolos. Asegúrese que los cartuchos estén al ras con el sello de la máscara y que las empaquetaduras y conectores de cartucho también estén al ras con el lado interior de la máscara.
  - c) No apriete demasiado ya que los conectores para cartuchos se podrían agrietar (Figura 6).
- 6) Tire ligeramente del conjunto del filtro/cartucho para asegurarse que esté firmemente fijo.

Si usted utiliza gafas con receta médica, Honeywell ofrece varios estilos de insertos para anteojos. Consulte la sección COMPONENTES ADICIONALES para ver una lista de los mismos. Siga las instrucciones del inserto para anteojos para instalarlo en la máscara.

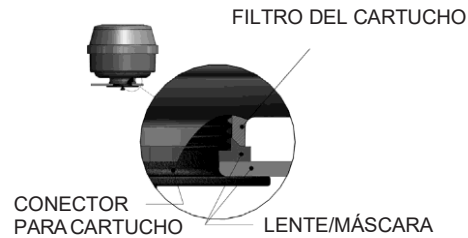


FIGURA 5



### ADVERTENCIAS

Las aprobaciones NIOSH y AS/NZS y todas las garantías de Honeywell para este respirador se anulan si se usan cartuchos y/o filtros de otros fabricantes.

Los filtros, cartuchos y combinaciones de filtros y cartuchos deben ser iguales en ambos lados del respirador.

Utilice únicamente filtros, cartuchos o combinaciones de filtros y cartuchos para protección contra los contaminantes indicados en la Etiqueta de Aprobación NIOSH o AS/NZS de ese filtro o cartucho.

No utilice el Adaptador dorsal con cartuchos que tengan un indicador de fin de vida útil (ESLI), ya que no podrá ver los indicadores mientras usa el respirador, y no sabrá cuando cambiar los cartuchos.

El incumplimiento de estas advertencias resultará en el riesgo de lesiones graves, enfermedad o muerte.

### PONERSE EL RESPIRADOR

Siga las instrucciones de INSPECCIÓN 1 a 4, luego tire nuevamente de los cartuchos o filtros para asegurarse que estén firmemente fijos.

- 1) Antes de ponerse el respirador, quítese el casco u otros equipos de la cabeza.
- 2) Ajuste las correas para la cabeza del respirador a su máxima posición extendida. Para hacer esto, tire de las lengüetas hacia arriba para destensar la correa, luego tire de las correas hacia afuera.
- 3) Coloque las manos en el arnés para sujetarlo, y sus pulgares entre las correas inferiores (Figura 6).
- 4) Empuje el arnés en la frente, apartando el cabello hacia arriba del área de sello entre la máscara y la cara (Figura 7). Continúe hacia arriba y sobre la cabeza hasta que el arnés esté centrado en la parte posterior de su cabeza y su barbilla calce en la copa de la barbilla (Figura 8).
- 5) Comenzando con las correas inferiores, tire de las puntas en incrementos pequeños e iguales para asegurarse que queden igualmente apretadas.
- 6) Apriete las correas superiores en incrementos pequeños e iguales.
- 7) Apriete la correa superior hasta que toda la máscara quede bien ajustada, se sienta cómoda, y esté centrada en su cara (Figura 9).



Figura 6



Figura 7



Figura 8



Figura 9

### ADVERTENCIA

Nunca use el respirador si no puede lograr un buen sello de la cara con la máscara debido a:

1. Vello facial, incluyendo toda barba,
2. Gafas con patillas que interfieren con el área de sello,
3. Cubiertas para la cabeza o la cara, prendas o cualesquiera otros artículos que interfieran con el área de sello; o
4. Dientes faltantes o dentaduras postizas, deformidades faciales o cicatrices profundas que impidan un buen sello.

La falta de cumplimiento de estas advertencias podría tener como consecuencia lesiones graves, enfermedades o la muerte

## AVISO

Las máscaras de la Serie 7600 tienen un área de sello de doble brida para garantizar un sello máximo de la cara con la máscara. Tenga cuidado de no apretar demasiado el respirador. Apretarlo demasiado podría deformar el sello de la máscara con la cara y producir fugas en éste.

### VERIFICACIONES DEL SELLO DEL USUARIO

Cada vez que se ponga el respirador antes de entrar a un área que contenga una atmósfera peligrosa y, periódicamente, mientras tenga puesto el respirador en el área contaminada, usted debe comprobar la eficacia del sello entre la máscara y la cara mediante una prueba de sello del usuario.

- 1) Verificación del sello del usuario a presión positiva
  - a) Coloque la palma de la mano sobre la válvula de exhalación y exhale normalmente (Figura 10).
  - b) Si la máscara se aleja ligeramente de su cara y no hay ninguna fuga de aire entre su cara y la máscara, entonces se ha logrado un sello eficaz.
- 2) Verificación del sello del usuario a presión negativa
  - a) Coloque las palmas de ambas manos sobre las cubiertas de filtro o los cartuchos e inhale normalmente. Aguante la respiración durante 5 segundos (Figura 11).
  - b) Si la máscara se acerca ligeramente a su cara y no hay ninguna fuga de aire entre su cara y la máscara, entonces se ha logrado un sello eficaz.
- 3) Si detecta una fuga de aire, vuelva a asentar la máscara y/o reajuste la tensión de las correas para la cabeza. Observe que a veces quizá sea necesario aflojar las correas.
- 4) Repita la verificación(nes) del sello del usuario hasta que se obtenga un sello efectivo. Si no puede lograr un sello, no utilice el respirador. Consulte a su supervisor ya sea para obtener un respirador de repuesto o para reajustarlo a un tamaño adecuado.

### ADVERTENCIA

Si no puede lograr rápidamente un sello eficaz mientras usa el respirador en un área contaminada, debe salir inmediatamente del área contaminada para evitar el riesgo de lesión grave, enfermedad o muerte.



Figura 10



Figura 11



Figura 12

## AVISO

La norma OSHA 29 CFR 1910.134 Anexo B requiere una Verificación del sello del usuario ya sea positiva o negativa, realizada de acuerdo con las instrucciones del fabricante. CSA recomienda seguir las instrucciones del fabricante, y proporciona directrices para la Verificación del sello del usuario Positiva y Negativa en la norma Z94.4 Anexo A.

Honeywell proporciona instrucciones para ambas verificaciones del sello porque muchos Higienistas industriales prefieren el uso de ambos métodos, pero sólo es necesario utilizar uno de los dos métodos. Si está realizando ambas verificaciones del sello del usuario, positiva y negativa, realice primero la verificación del sello positiva.

Ahora ya está listo para entrar al área contaminada para la cual se ha diseñado el respirador.

### EMERGENCIA DURANTE EL USO

Abandone inmediatamente el área contaminada si se dificulta la respiración; se mareo o se desorienta; usted huele, saborea o de alguna otra forma detecta contaminantes; o se daña el respirador.

### VIDA ÚTIL

Cuando se usa este respirador para protegerse contra gases o vapores para los que se haya definido restricciones laborales de exposición, se debe seguir un programa de reemplazo que garantice el reemplazo de los cartuchos antes de agotarse su vida útil. Si los cartuchos tienen un Indicador de fin de vida útil (ESLI), los cartuchos se deben reemplazar de acuerdo con las instrucciones que vienen con el cartucho ESLI. Los filtros deben reemplazarse cuando sea difícil respirar.

### PARA QUITARSE EL RESPIRADOR

#### ADVERTENCIA

Antes de quitarse el respirador, vaya a un área que no tenga aire contaminado.  
La falta de cumplimiento de esta advertencia podría tener como consecuencia lesiones graves, enfermedades o la muerte.

Afloje las correas para la cabeza. Para hacer esto, tire de ellas hacia arriba y libere los seguros de las correas para la cabeza (Figura 12). Quítese el respirador.

### LIMPIEZA DE LA MÁSCARA

Durante los descansos y entre las limpiezas más a fondo, se puede utilizar un paño limpiador refrescante para limpiar la porción de la máscara que entre en contacto con su cara. Para una limpieza más a fondo:

1. Retire los componentes del respirador.
  - a. Desenrosque los cartuchos o filtros y deséchelos o guárdelos de acuerdo a las instrucciones en la sección ALMACENAMIENTO.
  - b. Desenrosque el Adaptador de Soporte y saque el inserto para lentes si hubiese sido usado.
  - c. Retire la mascarilla oral/nasal sacándola cuidadosamente de la caja del diafragma de voz.
  - d. Saque las válvulas de inhalación y asientos de válvula en la mascarilla oral/nasal.
  - e. Desenrosque el protector de la válvula de exhalación del asiento. Retire la válvula y el asiento de la válvula y brida enroscada que sujeta el asiento de la válvula.
  - f. Retire el conjunto de diafragma de voz desenroscando la tuerca del diafragma de voz que se encuentra fuera de la máscara. Presione la caja del diafragma de voz en la máscara para sacarla. Gire el anillo de bloqueo de izquierda a derecha para retirar el diafragma de voz teniendo cuidado de no soltar los dos anillos O de color naranja.
  - g. Presione hacia adentro en los conectores del cartucho para sacarlos de las juntas. Jale las juntas del cartucho afuera de los lentes.
2. Inspeccione todos los componentes de cualquier desgaste o daño.
  - a. Verifique que los componentes no tengan agujeros, desgarros u otros signos de desgaste.
  - b. Reemplace cualquier componente que falte o que esté dañado.**
3. Lave los componentes de la mascarilla facial
  - a. Prepare una solución desinfectante limpiadora de acuerdo a las instrucciones.
  - b. Lave completamente la mascarilla facial y sus componentes en la solución desinfectante limpiadora. Utilice una brocha suave en el conjunto de mascarilla facial y casco para sacar cualquier suciedad pegada.
- c. Enjuague la mascarilla facial y los componentes con agua tibia limpia y luego deje secar completamente.
4. Vuelva a ensamblar su mascarilla luego de seguir todos los pasos señalados en la INSPECCIÓN. Utilice el esquema de la PIEZA DE REEMPLAZO al final de estas Instrucciones del Usuario o en el Afiche de la Pieza de Reemplazo de la Mascarilla Facial Honeywell.
  - a. Inspeccione si todos los componentes están ensamblados. Reemplace cualquier componente que falte o que esté dañado. Verifique que la mascarilla oral/nasal sea del mismo tamaño que la mascarilla facial viendo la(s) letra(s) frente a la mascarilla oral/nasal. Si tiene una 760008A la mascarilla debe ser una “M/L” (mediana/grande) (P/N 80815-H5) y si usted tiene una 760008AS la mascarilla debe tener una “S” (pequeña) (P/N 80800-H5).
  - b. Coloque la arandela (P/N 80871A) en los lentes, asegurándose de que la brida más grande se encuentre dentro y que las bridas internas y externas permanezcan recostadas contra los lentes.
  - c. Coloque un conjunto de válvulas de inhalación (P/N 770017) en los conectores del cartucho (P/N 770016), asegurándose de que permanezcan recostados contra los conectores.
  - d. Inserte los conectores del cartucho presionando las arandelas de adentro de la mascarilla facial. Asegúrese de que todos los conectores se encuentren en su lugar y recostados contra las bridas.
  - e. Inserte el diafragma de voz (P/N 80870-H5) en la caja de diafragma de voz (P/N 80858-H5) de manera que los agujeros en el diafragma de voz estén hacia afuera y el anillo O de color naranja más pequeño (P/N 80857A) se encuentre entre el diafragma de voz y la caja. Coloque el anillo de bloqueo en la parte superior del diafragma de voz y ajuste manualmente girando de izquierda a derecha.
  - f. Coloque los anillos O más grandes (P/N 80861A) en la caja

del diafragma de voz e inserte el conjunto del diafragma de voz en el puerto más grande de lentes de manera que las llaves en el puerto se encuentren alineadas con las muescas en la caja y el anillo O se encuentre entre la parte interna de los lentes y la caja del diafragma de voz. Al insertar correctamente las roscas de la caja, éstas atravesarán completamente los lentes y la caja estará alineada contra la parte interna de los lentes.

- g. Inserte la tuerca externa (P/N 80862-H5) en las roscas de la caja y ajuste manualmente girando de izquierda a derecha.
- h. Coloque las válvulas de inhalación restantes (P/N 770017) en los asientos de la válvula (P/N 80814A) para la mascarilla oral/nasal (P/N 80815 para mediano/grande o 80800 para pequeño) asegurándose de que permanezcan recostadas contra los asientos. Inserte el conjunto de asiento y válvula de inhalación en la mascarilla oral/nasal.
- i. Coloque la mascarilla oral/nasal primero jalando la brida en la parte inferior de la mascarilla a través de un puerto pequeño

en los lentes de manera que quede al ras de los lentes. Enderece la mascarilla girándola de manera que la punta del área nasal se encuentre hacia arriba. Trabaje en la abertura más grande de la mascarilla en la ranura de la caja del diafragma de voz que se encuentra más alejada de los lentes.

- j. Inserte la válvula de exhalación (P/N 770018) en el asiento de la válvula de exhalación (P/N 80862-H5) y tire de la pestaña hasta que escuche un “clic”. Al insertar correctamente el extremo plano de la válvula de exhalación estará en el lado de la rosca del asiento y al ras del asiento.
- k. Empuje el conjunto de la válvula de exhalación a través de la abertura inferior de la mascarilla oral/nasal que ahora está ensamblada en la mascarilla facial. Puede ser que necesite utilizar una presión ligera para empujar el conjunto completamente. Inserte el protector de la caja de exhalación (P/N 80867-H5) en las roscas de la caja y ajuste manualmente girando de izquierda a derecha.

### ADVERTENCIA

Nunca permita que los cartuchos o los filtros entren en contacto con el agua o con las soluciones de limpieza y desinfección. La humedad puede dañar los cartuchos o los filtros, y el incumplimiento de estas advertencias resultará en el riesgo de lesiones graves, enfermedad o muerte.

### REEMPLAZO DE LALENTE Y LA ABRAZADERA DE LALENTE

Para la limpieza de rutina, no es necesario retirar la lente ni las abrazaderas de la lente. Para una limpieza total o reparación, es posible que se tengan que retirar o reemplazar. Se necesita: un destornillador Phillips y alicates de punta de aguja.

Para retirarlos:

- 1) Siga las instrucciones indicadas arriba para retirar todos los componentes.
- 2) Utilice los alicates de punta de aguja para sujetar la tuerca en la abrazadera de la lente y afloje los tornillos que están situados en cada lado de la abrazadera de la lente.
- 3) Tire de las abrazaderas de la lente y retírelas del sello de la cara.
- 4) Tire del sello de la cara y separe éste de la lente.

Para montarlos:

- 1) Monte el sello de la lente en la máscara, y asegúrese que esté centrada y no haya huelgos.
- 2) Monte las abrazaderas superior e inferior de la lente en la lente y el sello de la cara.
- 3) Utilice los alicates de punta de aguja para unir las dos abrazaderas una con otra. Inserte los tornillos de manera que el lado roscado esté orientado hacia arriba.
- 4) Asiente la tuerca en la cavidad de la abrazadera de la lente, y enrosque y apriete la tuerca en el tornillo.

### PRECAUCIONES

No utilice limpiadores abrasivos en la lente. Los abrasivos pueden eliminar la cubierta protectora de la lente y hacerla susceptible a rayaduras y degradación química.

### ALMACENAMIENTO

Guarde la unidad en un lugar limpio y seco, y lejos de toda posibilidad de contaminación. Utilice la bolsa de almacenamiento del respirador suministrada con la máscara o cualquier otro contenedor sellable que protegerá la máscara. Las condiciones de almacenamiento óptimas son: una temperatura ambiente entre 10°C (50°F) y 38°C (100°F).

### ADVERTENCIA

Nunca almacene la máscara con cartuchos o filtros que hayan estado expuestos a contaminantes. Si los cartuchos y/o filtros se van a volver a utilizar, séllelos en una bolsa separada o contenedor separado. No los exponga a la luz directa del sol, contaminantes químicos o polvo.

Los cartuchos que hayan estado expuestos a contaminantes con un bajo punto de ebullición, y todos los filtros NIOSH de clase R que hayan estado expuestos a aerosoles a base de aceite, se deben desechar al final de un turno de trabajo. Cuando deseche máscaras, componentes o cartuchos contaminados, cumpla con las regulaciones locales, estatales y/o nacionales pertinentes al desecho de materiales peligrosos (HazMat) y/u otros artículos contaminados. Consulte a su supervisor y/o a las autoridades apropiadas.

La falta de cumplimiento de estas advertencias podría tener como consecuencia lesiones graves, enfermedades o la muerte

### NOTE

Cuando deseche cartuchos, máscaras o componentes contaminados, siga las normas locales, estatales o nacionales correspondientes al desecho de materiales peligrosos u otros artículos contaminados. Consulte con su supervisor o con las autoridades adecuadas.

### **ATENCIÓN**

No exponga el respirador durante su almacenamiento a un calor excesivo (más de 60°C [140°F]), ni a humedad o sustancias contaminantes, o apile un peso indebido encima de la máscara o los componentes durante el almacenamiento ya que estas condiciones podrían deformar la máscara, e impedir que se pueda lograr un ajuste correcto la siguiente vez que se use la máscara, o podrían comprometer la funcionalidad del componente.



**PARTES DE REPUESTO**

**Conjunto completo**

Para los respiradores aprobados por NIOSH:

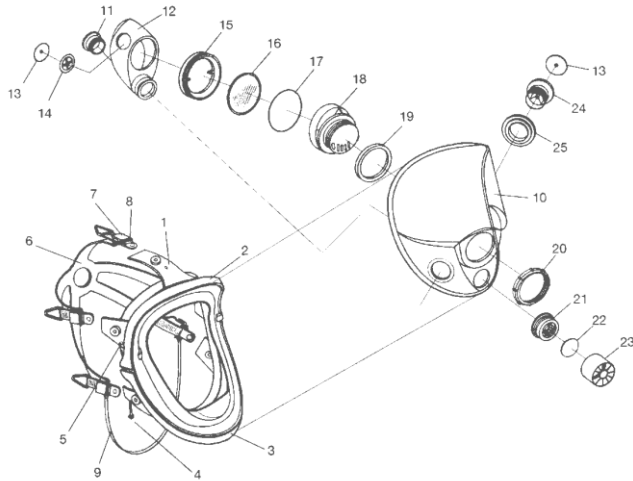
760008A, S Máscara completa, tamaños mediano/grande y pequeño

760008AW, SW Máscara completa con aditamento para soldadura, tamaños mediano/grande y pequeño

Para los respiradores aprobados por AS/NZS:

760008AA, S Máscara completa, tamaños mediano/grande y pequeño

760008AAW, SW Máscara completa con aditamento para soldadura, tamaños mediano/grande y pequeño



**Partes de repuesto**

1a	80840-H5	Máscara básica, mediana/grande
1b	80801-H5	Máscara básica, pequeña
2 & 3	80798-H5	Abrazaderas de la lente, superior e inferior (1 juego)
4	80843A	Tornillo de la abrazadera de la lente
5	80844A	Tuerca de la abrazadera de la lente
6	80845	Correa para la cabeza, sin los herrajes
7	80846A	Seguro de la correa para la cabeza
8	80847A	Gancho de la correa para la cabeza
9	80848-H5	Conjunto de la correa para el cuello
10	80849-H5	Lente
11	80852-H5	Brida
12a	80815-H5	Copa oral/nasal, mediana/grande
12b	80800-H5	Copa oral/nasal, pequeña
13	770017	Válvula de inhalación
14	80814A	Asiento de la válvula para la copa oral/nasal
15	80855-H5	Anillo de fijación
16	80870-H5	Diafragma parlante
17	80857A	Anillo O del diafragma parlante
18	80858-H5	Caja del diafragma parlante
19	80861A	Anillo O del diafragma parlante
20	80862-H5	Tuerca del adaptador
21	80863-H5	Asiento de la válvula de exhalación
22	770018	Válvula de exhalación
23	80867-H5	Protección de la válvula de exhalación
24	770016	Conector del cartucho
25	80871A	Ojal

## **COMPONENTES ADICIONALES**

### **No. de Parte Descripción**

#### **Soportes de cartucho y filtro**

N750035	Adaptador para filtros de bajo perfil, para montar filtros en los cartuchos de gas o vapor
N750036	Conjunto para filtros. Incluye (2) cubiertas N750027 y (2) rejillas redondas tipo telaraña N750038 para montar almohadillas de filtro en los cartuchos de gas y vapor
N750037	Conjunto para filtros. Incluye (2) cubiertas N750027 y (2) soportes de filtro N750015 para montar filtros en la máscara
N750037A	Conjunto para filtros. Incluye (2) cubiertas N750027 y (2) soportes de filtro N750015 para montar filtros en la máscara
BP1002	Adaptador dorsal

#### **Aditamento para soldadura**

8404-H5	Juego de aditamento para soldadura, convierte la unidad 7600 en una máscara para soldadura
8419	Protector piroresistente para soldadura (sólo los respiradores aprobados por NIOSH)

#### **Insertos para anteojos y lentes despegables**

80100-H5	Inserto para anteojos, marco de plástico con ventosa
760023	Inserto para anteojos, marco metálico con resorte de alambre
760024	Inserto para anteojos, marco metálico con ventosa
80836A	Lente despegable. Tres lentes despegables por conjunto, cinco conjuntos por paquete

### **GARANTÍA LIMITADA**

**Honeywell Safety Products le garantiza al dueño original que esta máscara estará libre de defectos en materiales y mano de obra por un período de un (1) año a partir de la fecha de envío original del producto desde la fábrica de Honeywell. La obligación de Honeywell bajo esta garantía será, a la opción de Honeywell, de reparar o reemplazar sin cargo alguno la máscara o cualquiera de sus componentes que Honeywell encuentre estar defectuosos durante el período de garantía, bajo los siguientes términos:**

1. El reclamo de garantía lo hace (i) el dueño que compró la máscara de la Serie 7600 nueva de Honeywell o de un Distribuidor Autorizado de Honeywell, y (ii) a no más de tres (3) meses después del vencimiento del período de garantía.
2. Honeywell establece que la máscara de la Serie 7600 o el componente de la misma estaba defectuoso bajo uso y servicio normales durante el período de garantía de un (1) año a partir de la fecha de compra por el dueño.
3. La máscara de la Serie 7600 o el componente de la misma es devuelto con flete pagado a Honeywell, ya sea a su fábrica o a un centro de servicio autorizado por Honeywell, y es luego devuelto al dueño con flete por pagar en destino.
4. Esta garantía no aplica a (i) cualquier máscara de la Serie 7600 o componente de la misma que Honeywell determine estar defectuoso debido a cualesquier accidente, alteración, mal uso, abuso, o reparación o mantenimiento con partes no aprobadas por Honeywell; (ii) el deterioro o envejecimiento de cualesquiera de sus componentes hechos de goma u otro elastómero, ya que estos componentes pueden ser afectados adversamente por la excesiva exposición al calor, sol, agua, sustancias químicas, ozono u otros elementos deteriorantes; o (iii) las partes que se malogran por uso normal. La decisión sobre qué constituye uso normal será decidida solamente por HONEYWELL SAFETY PRODUCTS.
5. Para mantener esta garantía, el comprador deberá realizar el mantenimiento y las inspecciones como se indica en este Manual de instrucciones, que deberá incluir el pronto reemplazo o pronta reparación de las partes defectuosas.

**EL DUEÑO ASUME TODOS LOS OTROS RIESGOS, SI ALGUNO, TAL COMO EL RIESGO DE CUALQUIER PÉRDIDA O DAÑO DIRECTO, INDIRECTO O CONSECUENTE QUE SURJA COMO CONSECUENCIA DEL USO DEL PRODUCTO, O DE LA INCAPACIDAD PARA USAR EL MISMO. DAR MANTENIMIENTO A LOS RESPIRADORES DE HONEYWELL CON PIEZAS NO APROBADAS POR HONEYWELL ANULARÁN ESTA GARANTÍA LIMITADA Y LAS APROBACIONES DE NIOSH Y AS/NZS DE LA UNIDAD DEL RESPIRADOR. ESTA GARANTÍA LIMITADA SE HACE EN LUGAR DE TODAS LAS OTRAS GARANTÍAS, EXPRESAS O IMPLÍCITAS Y NO PUEDE VARIAR O AMPLIARSE A MENOS QUE SEA POR ESCRITO POR UN FUNCIONARIO AUTORIZADO DE HONEYWELL SAFETY PRODUCTS.**



## **Máscara inteira série 7600**

### *Manual de Instruções de Operação e Manutenção*

---

**Honeywell International Inc.**  
855 S. Mint. St.  
Charlotte NC. 28202  
EE. UU.  
Telefone: 800 873 5242

**Honeywell Ind. de Tecnologia Ltda.**  
CNPJ 00.094.716/0002-09  
Rua Oswaldo Cruz, 615 - Itajubá/MG -  
+55 11 3711 6770  
Atendimento.hppe.br@honeywell.com

**Honeywell Safety Products Australia Pty Ltd.**  
45 Grosvenor Street  
Abbotsford. Vic 3067.  
Australia  
Telefone (Australia): +61 1300 139 166  
Telefone (Nueva Zelanda): +64 80 032 2200

## **INTRODUÇÃO**

A série 7600 é composta de máscaras inteiras, que são componentes de um respirador completo. Os componentes destes respiradores são vendidos separadamente. Somente os componentes fabricados pela Honeywell e relacionados no selo de aprovação devem ser usados. Estas Instruções para o Usuário referem-se exclusivamente ao uso e manutenção da máscara inteira, bem como à sua montagem e utilização como respirador purificador de ar. Este respirador deve ser usado e mantido **somente** por pessoas que leram e compreenderam totalmente as instruções contidas neste Manual de Instruções e quaisquer outros Manuais de Instruções de Operação e Manutenção incluídos com os demais componentes do respirador completo. Para obter informações adicionais e uma lista completa de componentes aprovados, acesse o website da Honeywell: [www.honeywellsafety.com](http://www.honeywellsafety.com).

**Antes do uso ocupacional do respirador, um programa de proteção respiratória por escrito deve ser implementado atendendo a todos os requisitos governamentais locais. Nos Estados Unidos, funcionários devem seguir o OSHA 29 CFR 1910.134, que inclui avaliação médica, treinamento e testes de adequação**

## **CERTIFICAÇÕES DO NIOSH**

Quando os componentes relacionados no selo de aprovação do NIOSH forem utilizados, estes respiradores são aprovados como parte dos respiradores purificadores de ar (com ou sem motor) e respiradores com suprimento de ar. Consulte as Instruções para o Usuário destes componentes e os selos de aprovação do NIOSH fornecidos com esses produtos para uma lista de todos os componentes que precisam ser usados para montar um respirador completo aprovado pelo NIOSH. Quando usada como respiradores purificadores de ar, a série 7600 oferece proteção contra gases, vapores e/ ou particulados perigosos em situações na qual a concentração não seja superior a 50 vezes o Limite de Exposição Permitido (PEL) da OSHA, seja inferior ao limite imediatamente perigoso à vida ou à saúde (IDLH) e haja oxigênio suficiente de acordo com os requisitos da norma OSHA ou CSA. Este respirador oferece alívio a nível de incômodo de vapores orgânicos, gases ácidos e de ozônio que podem estar abaixo do Limite de Exposição Permitido (PEL) quando usado com o filtro 75FFP100NL. O nível de incômodo se refere às concentrações que não excedem o OSHA PEL ou outros limites de exposição ocupacionais do governo, o que for menor.

## **CERTIFICAÇÕES AUSTRALIANAS**

Quando são usados os componentes relacionados no Selo de Aprovação das Normas AS/NZS, estes respiradores contam com a aprovação da Norma 1716.2012 Lic. 0563 da Austrália e Nova Zelândia para proteção respiratória contra gases, vapores e/ou particulados perigosos –dependendo dos filtros e/ou cartuchos purificadores de ar utilizados, da concentração e/ou toxicidade dos contaminantes e se há presença de oxigênio suficiente na atmosfera contaminada para sustentar a vida.

## **CERTIFICAÇÕES BRASILEIRAS**

Esses respiradores são aprovados de acordo com as Normas Brasileiras NBR 13695, NBR 13696 e NBR 13697 para proteção respiratória contra gases, vapores e/ou partículas nocivas, dependendo dos cartuchos e/ou filtros de purificação de ar usados e a concentração e/ou toxicidade do contaminante, e se há oxigênio suficiente presente na atmosfera contaminada para dar suporte à vida.

## **TERMINOLOGIA**

Definição dos avisos de advertência, atenção e notas usados neste manual:

### OBSERVAÇÃO

Procedimentos e técnicas considerados bastante importantes para serem enfatizados.

### ATENÇÃO

Procedimentos e técnicas que, se não forem cuidadosamente observados, resultarão em danos ao equipamento.

### ADVERTÊNCIA

Procedimentos e técnicas que, se não forem cuidadosamente observados, irão expor o usuário a riscos de lesões e doenças graves ou morte.

### ADVERTÊNCIAS

**O uso indevido do respirador pode ser nocivo ou fatal!  
Para a sua segurança, leia e observe estas diretrizes.**

**Peça esclarecimentos ao seu supervisor quando tiver qualquer dúvida sobre as diretrizes.**

1. A inobservância destas instruções e advertências pode resultar na exposição a materiais nocivos, colocando o usuário em risco de lesões e doenças graves ou morte. Estas instruções **NÃO SE APLICAM** quando a máscara estiver sendo usada como parte de um respirador purificador de ar motorizado ou com suprimento de ar. Consulte as Instruções para o Usuário referentes a esses componentes.D
2. Nunca use este respirador:
  - Para realizar ou observar jateamento com areia ou jateamento abrasivo;
  - Para combater incêndios;
  - Em atmosferas deficientes de oxigênio (toda atmosfera, ao nível do mar, contendo um volume de oxigênio inferior a 19,5%);

- Em atmosferas nas quais as concentrações de contaminantes tóxicos sejam desconhecidas ou imediatamente perigosas à vida ou à saúde (IDLH). Atmosfera IDLH é definida como toda atmosfera com uma concentração de qualquer substância tóxica, corrosiva ou asfixiante que represente ameaça imediata à vida, que poderia causar efeitos debilitadores irreversíveis à saúde ou que poderia interferir com a capacidade de fuga de uma atmosfera perigosa.
- Em atmosferas nas quais a concentração do contaminante seja superior a:
  - i. *Se parte de um Programa de Proteção Respiratória da OSHA ou CSA:*
    1. 50 vezes o limite de exposição permitido (PEL) do contaminante. PEL é definido como a máxima concentração média ponderada pelo tempo (TWA) de exposição para a jornada de 8 horas estabelecida pela OSHA ou outros regulamentos governamentais, ou pelo NIOSH, ACGIH ou CSA.
    2. Qualquer valor inferior à Máxima Concentração de Uso para o contaminante em questão estabelecido pela OSHA ou outros regulamentos governamentais, publicações do NIOSH, ACGIH ou CSA, ou indicado na Ficha de Informações de Segurança de Produtos Químicos do contaminante.
  - ii. *Se parte de um Programa de Proteção Respiratória da Worksafe Australia (Autoridade para Segurança do Trabalho na Austrália):*
    1. Em atmosferas onde a concentração do contaminante exceda 10 vezes o limite de exposição permitido para o contaminante em questão definido pela Worksafe Australia ou outros regulamentos governamentais.
  - iii. *Se for parte de um Programa de Proteção Respiratória do Ministério do Trabalho do Brasil (MTE):*
    1. Em atmosferas com concentração de contaminante superior a 100 vezes o limite permitido de exposição ao contaminante definido pela NR 15 ou outros regulamentos governamentais.
- Com quaisquer filtros ou cartuchos além daqueles aprovados para o uso com esta máscara pela devida organização certificadora.
- Para proteger contra contaminantes não relacionados na etiqueta do filtro ou cartucho.
  - i. *Se parte de um Programa de Proteção Respiratória da OSHA ou CSA*, a etiqueta é o selo de aprovação do NIOSH incluído com os cartuchos aprovados pelo NIOSH e estas Instruções para o Usuário.
  - ii. *Se for parte de um Programa de Proteção Respiratória da Worksafe Australia*, as classificações nos filtros e cartuchos encontram-se marcados nos cartuchos certificados segundo as Normas da Austrália e Nova Zelândia: P, A, B, E e/ou K.
  - iii. *Se estes contaminantes estiverem incluídos nas Instruções do usuário do filtro ou cartucho*
- Para proteger contra aerossóis a base de óleo, exceto quando utilizado um filtro 'R' ou 'P' (conforme a definição do NIOSH) como parte do Programa de Proteção Respiratória da OSHA ou CSA.
- Sem um Indicador de Término de Vida Útil (End-of-Service-Life Indicator –ESLI) no cartucho para o gás e/ou vapor presente nem um cronograma estabelecido para a troca de cartuchos para todos os gases e vapores que não contenham o ESLI.
- Em áreas com ventilação precária ou em espaços confinados como tanques, pequenas salas, túneis ou embarcações, exceto quando o espaço confinado for bem ventilado e sabe-se que a concentração dos contaminantes tóxicos está e permanecerá abaixo da Máxima Concentração de Uso recomendada para o respirador.

3. **PARA USO EM AMBIENTE DE NANOTECNOLOGIA:** A OSHA recomenda o uso de filtros HEPA ou filtros de partículas NIOSH 42 CFR 84 equivalentes (N100, R100 ou P100) para proteção contra a exposição a partículas criadas durante processos de nanotecnologia. P3 é o equivalente de acordo com as Normas AS/NZS NBR. As nanopartículas são definidas como matéria entre aproximadamente 1 e 100 nanômetros (nm). Os respiradores purificadores de ar reduzem, mas não eliminam por completo, a exposição a esses contaminantes. Por causa de seu tamanho extremamente pequeno, as nanopartículas podem entrar na zona respiratória a partir de qualquer ínfima abertura na peça facial onde outras partículas não conseguiriam entrar. O uso de respiradores de purificação de ar ou respiradores de fornecimento de ar ofereceriam melhor proteção contra nanopartículas
4. Abandone imediatamente a área de trabalho e remova o respirador se:
  - Você começar a ter dificuldades para respirar;
  - Ficar tonto ou desorientado;
  - Cheirar, sentir o gosto ou, de alguma outra forma, perceber a presença de contaminantes; ou
  - O respirador estiver danificado.
5. Este respirador não oferecerá proteção para áreas expostas do rosto ou do corpo contra gases, vapores ou partículas aéreas que podem irritar, queimar ou ser absorvidos pela pele. Deve-se usar proteção para as mãos e/ou corpo.
6. Não altere nem modifique este dispositivo de forma alguma. Quaisquer alterações ou modificações, incluindo a pintura, afixação de etiquetas ou o uso de peças de reposição não aprovadas podem reduzir a proteção e expor o usuário ao risco de doenças, lesões ou morte.

### **LIMITAÇÕES À SAÚDE**

Antes de usar este respirador, você deve receber um atestado médico declarando estar em condições para usá-lo. Além disso, há limitações fisiológicas e psicológicas a serem consideradas antes de usar os respiradores. Elas incluem, porém não se limitam a:

- a) Enfisema
- b) Doença pulmonar obstrutiva crônica
- c) Asma brônquica
- d) Evidência radiográfica de pneumoconiose
- e) Evidência de função pulmonar reduzida
- f) Doença arterial coronariana
- g) Hipertensão arterial grave ou progressiva
- h) Epilepsia (grande mal ou pequeno mal)
- i) Anemia perniciosa
- j) Diabetes (insipidus ou mellitus)
- k) Dificuldades para respirar ao usar um respirador com suprimento de ar
- l) Claustrofobia ou ansiedade ao usar um respirador com suprimento de ar



- m) Resultados anormais de eletrocardiogramas de repouso ou de esforço
- n) Tímpano perfurado ou rompido
- o) Medicamentos

### **PROGRAMA DE TREINAMENTO**

Estas instruções resumidas não devem substituir um programa formal de treinamento de respiradores. O programa formal de treinamento deve ser feito antes de usar este produto pela primeira vez e deve incluir oportunidades para manusear, aprender a inspecionar, ajustar, usar o respirador em condições de ar normal durante um longo período de familiarização e, por fim, usá-lo em uma atmosfera de teste.

O programa de treinamento deve-se basear no mais recente Regulamento da OSHA(29 CFR Seção 1910.134), Norma Z94.4 da CSA ou Norma 1715 da Austrália e Nova Zelândia. Deve-se também estar familiarizado com quaisquer outros regulamentos pertinentes promulgados pelas diversas autoridades regulamentares, incluindo a ANSI Z88.2 dos EUA.

### **TESTE DE AJUSTE**

Nenhum respirador contendo máscara com vedação poderá ser designado ao usuário antes dele passar por um teste de ajuste qualitativo ou quantitativo e os resultados desse teste indicarem que a máscara fica devidamente ajustada no usuário. A série 7600 encontra-se disponível em dois tamanhos. As letras “M/L” ou “S” na copa nasal/bucal indicam os tamanhos Médio/Grande ou Pequeno. Leia abaixo as instruções de colocação do respirador. Antes da utilização profissional deste respirador, deve ser implementado um programa escrito de proteção respiratória que cumpra todos os requisitos do governo local. Nos Estados Unidos, as entidades patronais têm de cumprir a norma OSHA 29 CFR 1910.134, que inclui avaliação médica, formação e testes de adaptação. No Canadá, as entidades patronais têm de seguir a norma CSA Z94; na Austrália, as entidades patronais têm de seguir a norma (AS/NZS 1715) para procedimentos específicos de testes de adaptação; no Brasil, as entidades patronais têm de seguir o Programa de Proteção Respiratória do MTE.

### **LEGENDA DAS ADVERTÊNCIAS E LIMITES DO SELO DE APROVAÇÃO DO NIOSH PARA OS RESPIRADORES PURIFICADORES DE AR**

- A** Não deve ser usado em atmosferas contendo menos de 19,5% de oxigênio.
- B** Não deve ser usado em atmosferas imediatamente perigosas à vida ou à saúde.
- C** Não exceder as concentrações máximas de uso estabelecidas por normas regulamentares.
- H** Observar os cronogramas estabelecidos para a troca de cartuchos e tubos, ou observar o indicador de término de vida útil (ESLI) para assegurar sua troca antes que deixem de funcionar.
- J** O uso e a manutenção incorretos deste produto poderiam resultar em lesões ou morte.
- L** Observar as Instruções para o Usuário detalhadas pelo fabricante quanto à substituição de cartuchos, tubos e/ou filtros.
- M** Todos os respiradores aprovados devem ser selecionados, ajustados, usados e mantidos de acordo com os regulamentos da OSHA e de outros regulamentos pertinentes.
- N** Nunca se deve substituir, modificar, acrescentar ou omitir peças. Usar somente peças de reposição exatas na configuração, de acordo com as especificações do fabricante.

- O** Consultar as Instruções para o Usuário e/ou os manuais de manutenção para obter informações sobre o uso e a manutenção destes respiradores.
  - P** O NIOSH não avalia respiradores para utilização como máscaras cirúrgicas.
  - S** Instruções especiais ou críticas para o utilizador e/ou limitações específicas de utilização. Consultar as instruções de uso antes de utilizar.
- 
- 1** Os cartuchos contra vapores e gases série N da Honeywell fabricados depois de agosto de 2012 exigem a utilização de uma tampa de filtro tipo teia de aranha (Nº ref. N750038), quando for empregado um filtro tipo almofada com o cartucho.
  - 2** Quando os cartuchos purificadores de ar possuírem um indicador ESLI, deve ser possível visualizar o indicador sem movimentar a máscara de nenhuma forma que pudesse romper a vedação entre a máscara e o rosto.
  - 3** Este respirador pode oferecer alívio de nível de incomodo de vapores orgânicos e gases ácidos que estão abaixo do limite de exposição permissível (PEL). Os níveis de incomodo referem-se a concentrações que não excedem o PEL da OSHA ou outros limites de exposição profissional do governo, consoante o que for mais baixo.

### **INSPEÇÃO**

Toda vez que colocar o respirador e antes de guardá-lo, deve-se inspecionar todos os seus componentes quanto ao desgaste ou danos. Não use este respirador se qualquer um de seus componentes estiver faltando ou apresentar danos.

- 1) Verificar se há rasgos, furos ou outros danos na copa nasal e na área de vedação.
- 2) Verificar as válvulas de inalação e exalação para garantir que não estejam faltando nem apresentem danos.
- 3) Esticar os tirantes com cuidado, certificando-se de que não estão desgastados. Inspecionar as fivelas dos tirantes quanto a danos.
- 4) Verificar o visor quanto a rachaduras ou outros danos.
- 5) Verificar os conectores do cartucho para assegurar que estão devidamente assentados e sem rachaduras.

Não use este respirador se qualquer um de seus componentes estiver faltando ou apresentar danos.

### **ADVERTÊNCIA**

Se houver componentes ausentes ou danificados, não use este respirador até que todos os componentes danificados e ausentes sejam substituídos com novas peças de reposição Honeywell não usadas/não danificadas aprovadas pela NIOSH.

O não cumprimento destes avisos resultará no risco de lesão ou doença grave e até mesmo morte.

## MONTAGEM DO RESPIRADOR

Para usar esta máscara inteira como um respirador purificador de ar será necessário conectar um filtro, cartucho ou combinação de cartucho/filtro. Siga as instruções abaixo de acordo com o tipo de filtro ou cartucho utilizado.

- 1) Se estiver usando somente um filtro tipo almofada, será necessário usar o componente N° ref. N750037 (que inclui duas tampas N750027 e dois suportes de filtro N750015) além dos dois filtros.
  - a) Posicione cada filtro na sua tampa, prestando atenção às instruções encontradas no filtro: “este lado para cima” ou “este lado para baixo” (Figura 1).
  - b) Encaixe a tampa do filtro e o filtro no suporte (Figura 2). Passe à Etapa 5.
  
- 2) Se você estiver usando um par de filtros no estilo esponja (ou 7506N95, 7506R95 ou 7506N99) com um cartucho de gás ou vapor, você precisará do P/N N750036 (inclui duas capas de filtro N750027 e dois suportes de filtro N750038) além dos dois filtros. Certifique-se de que os filtros de esponja sejam do mesmo tipo para fornecer proteção adequada.



Figura 1

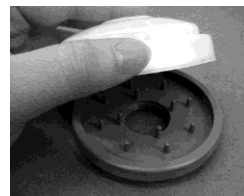


Figura 2

### 1 – INSTRUÇÕES ESPECIAIS OU CRÍTICAS PARA O USUÁRIO

Os cartuchos contra vapores e gases série N da Honeywell fabricados exigem a utilização de uma tampa tipo teia de aranha (N° ref. N750038) quando o filtro tipo almofada for usado com o cartucho.

O não cumprimento dessas advertências resultará em riscos de lesões e doenças graves ou morte.

- a) Coloque o suporte do filtro (Nº ref. N750038) sobre o cartucho, de forma que os oito entalhes se ajustem no círculo saliente interno e que a peça Nº ref. N750038 não fique invertida (Figura 4).
- b) Posicione cada filtro na tampa (Nº ref. N750027), prestando atenção às instruções no filtro: “este lado para cima” ou “este lado para baixo” (Figura 1).



Figura 3



Figura 4

- 3) Se estiver usando filtros de baixo perfil com um cartucho contra gás ou vapor, serão necessários dois adaptadores N750035 além dos filtros.
  - a) Encaixe o N750035 no cartucho.
  - b) Conecte o filtro no adaptador, cuidando para não danificar as roscas. Passe à Etapa 5.
- 4) Ao usar o adaptador para mochila (Nº ref. BP1002) com qualquer combinação de filtros ou cartuchos, conecte-o na extremidade rosqueada macho do adaptador. Verifique se os cartuchos ou filtros estão bem vedados com a junta do conector da placa posterior.

## 2 – INSTRUÇÕES ESPECIAIS OU CRÍTICAS PARA O USUÁRIO

Quando os cartuchos purificadores de ar possuírem um indicador ESLI, deve ser possível visualizar o indicador sem movimentar a máscara de nenhuma forma que pudesse romper a vedação entre a máscara e o rosto. Não use cartucho com ESLI ao usar o Adaptador para Mochila.

O não cumprimento dessas advertências resultará em riscos de lesões e doenças graves ou morte.

- 5) Prenda o filtro, conjunto do filtro, cartucho, filtro/cartucho ou conjunto da Mochila na máscara.
  - a) Cuide para que os filtros ou cartuchos não danifiquem as roscas.
  - b) Gire os filtros/cartuchos até ficarem bem assentados na junta e sentir certa resistência para continuar girando. Verifique se os cartuchos estão rentes com a vedação da máscara, e os conectores do cartucho e as juntas também estão rentes com o interior da máscara.
  - c) Não aperte demais, pois os conectores do cartucho podem rachar (Figura 5).
- 6) Puxe levemente o conjunto do filtro/cartucho para ter certeza de que está afixado firmemente.

Se você usar óculos de grau, a Honeywell oferece diversos estilos de suportes para óculos. Consulte a seção de COMPONENTES ADICIONAIS para ver a lista. Observe as instruções que acompanham o suporte para óculos, a fim de montá-lo na máscara.

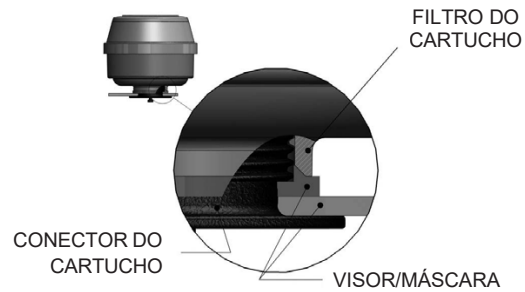


Figura 6

## ADVERTÊNCIAS

As aprovações do NIOSH e das normas da Austrália e da Nova Zelândia (AS/NZS), e todas as garantias da Honeywell para este respirador serão revogadas quando forem usados cartuchos e/ou filtros de outros fabricantes.

Filtros, cartuchos e outras combinações desses componentes devem ser iguais nos dois lados do respirador.

Use somente filtros, cartuchos ou combinações de filtros e cartuchos que ofereçam proteção contra os contaminantes relacionados no seu selo de aprovação do NIOSH ou AS/NZS.

Não use o adaptador para mochila com cartuchos que apresentem ESLI porque você não enxergará os indicadores ao usar o respirador nem saberá quando está na hora de trocar os cartuchos.

O não cumprimento dessas advertências resultará em riscos de lesões e doenças graves ou morte.

### COLOCAÇÃO DO RESPIRADOR

Siga as instruções de INSPEÇÃO números 1 a 4 e, em seguida, puxe novamente os cartuchos ou filtros para garantir que estão conectados seguramente.

- 1) Retire o capacete ou qualquer outro equipamento de proteção da cabeça antes de colocar o respirador.
- 2) Ajuste os tirantes do respirador até ficarem totalmente para fora puxando as linguetas para cima a fim de aliviar a tensão dos tirantes. A seguir, puxe os tirantes para fora.
- 3) Prenda o arnês passando as mãos por dentro e colocando os polegares entre os tirantes inferiores (Figura 6).
- 4) Empurre o arnês por cima da testa, levantando e retirando os cabelos da área de vedação (Figura 7). Continue levantando e colocando o arnês sobre a cabeça até centrá-lo na parte detrás da cabeça e o queixo ficar bem assentado na queixeira (Figura 8).
- 5) Começando pelos tirantes inferiores, puxe as linguetas da extremidade em incrementos pequenos e iguais, para assegurar um aperto uniforme.
- 6) Aperte os tirantes superiores em incrementos pequenos e uniformes.
- 7) Aperte o tirante superior até toda a máscara ficar justa, confortável e centrada no seu rosto (Figura 9).



Figura 6



Figura 7



Figura 8



Figura 9

### ADVERTÊNCIA

Não use o respirador caso não consiga obter uma boa vedação entre a máscara e o rosto em virtude de:

1. Pelo facial, incluindo barba por fazer,
2. Óculos com hastes que interfiram na área da vedação,
3. Coberturas para a cabeça ou rosto, joias ou outros itens que interfiram na área de vedação, ou
4. Dentes ou dentaduras faltantes, deformidades faciais ou cicatrizes profundas que impossibilitem uma boa vedação.

Não seguir estes avisos resultará no risco de lesão ou doença grave e até mesmo morte.

## OBSERVAÇÃO

As máscaras série 7600 possuem um área de vedação com flange duplo, para garantir máxima vedação facial. Cuide para não apertar demais o respirador. Isso poderia deformar a vedação e causar vazamentos na vedação entre a máscara e o rosto.

### VERIFICAÇÕES DA VEDAÇÃO PELO USUÁRIO

Toda vez que colocar um respirador antes de entrar em uma área contendo atmosfera perigosa e regularmente enquanto estiver usando o respirador na área contaminada, deve-se constatar a eficácia da vedação entre o rosto e a máscara fazendo uma verificação da vedação.

- 1) Verificação da vedação com pressão positiva realizada pelo usuário
  - a) Coloque a palma da mão sobre a válvula de exalação e expire normalmente (Figura 10).
  - b) Se a máscara se afastar levemente de seu rosto, porém sem que haja vazamentos de ar, foi obtida uma vedação eficaz.
- 2) Verificação da vedação com pressão negativa pelo usuário
  - a) Coloque as palmas das mãos sobre as tampas dos filtros ou cartuchos e inspire normalmente. Prenda a respiração por 5 segundos (Figura 11).
  - b) Se a máscara pressionar levemente contra seu rosto, porém sem que haja vazamentos de ar entre o rosto e a máscara, foi obtida uma vedação eficaz.
- 3) Se detectar quaisquer vazamentos, reassente a máscara e/ou reajuste a tensão dos tirantes. Observe que, às vezes, será necessário afrouxar os tirantes.
- 4) Repita as verificações de vedação até obter uma vedação eficaz. Se não conseguir uma boa vedação, não utilize este respirador. Contate seu supervisor para substituir o respirador ou reajustá-lo a um tamanho apropriado.

### ADVERTÊNCIA

Caso não consiga pronta e eficazmente vedar o respirador quando estiver em uma área contaminada, você deve abandonar a área imediatamente para evitar riscos de lesões e doenças graves ou morte.



Figura 10



Figura 11



Figura 12



## OBSERVAÇÃO

A Norma OSHA 29 CFR 1910.134 Apêndice B exige que o usuário realize um teste da vedação com pressão positiva ou negativa, de acordo com as instruções do fabricante. A CSA recomenda seguir as instruções do fabricante e fornece orientações para o usuário testar a vedação com pressão positiva e negativa na norma Z94.4, Anexo A.

A Honeywell fornece instruções para ambos os testes de vedação, visto que muitos higienistas industriais preferem utilizar os dois métodos, embora apenas um deles seja necessário. Se for testar a vedação com pressões positiva e negativa, faça primeiro o teste com pressão positiva.

Agora já estará pronto para entrar na área contaminada para a qual o respirador foi projetado.

## EMERGÊNCIAS DURANTE O USO

Abandone a área imediatamente caso comece a ter dificuldades para respirar; se ficar tonto ou desorientado; se cheirar, sentir o gosto ou de alguma outra forma perceber a presença de contaminantes, ou se o seu respirador ficar danificado.

## VIDA ÚTIL

Quando este respirador é usado para a proteção contra gases ou vapores com limites definidos de exposição ocupacional, deve-se observar um cronograma de substituição dos cartuchos para garantir a troca antes do final de sua vida útil. Se os cartuchos tiverem um indicador de término da vida útil (ESLI), deve-se respeitar as instruções de troca do indicador que acompanham o cartucho. Os filtros devem ser trocados quando a respiração se tornar difícil.

## REMOÇÃO DO RESPIRADOR

### ADVERTÊNCIA

Antes de remover o respirador, dirija-se a uma área com ar não contaminado.  
Não seguir este aviso resultará no risco de lesão ou doença grave e até mesmo morte

Afrouxe os tirantes puxando as travas para cima e soltando-as (Figura 12). Retire o respirador.

## LIMPEZA DA MÁSCARA

Durante intervalos e entre as limpezas mais minuciosas, pode-se usar um lenço umedecido para limpar a porção da máscara que entra em contato com o rosto. Para uma limpeza minuciosa:

1. Remover os componentes do respirador.
  - a. Desenroscar os cartuchos ou filtros e descartar ou guardá-los, de acordo com as instruções na seção ARMAZENAMENTO.
  - b. Desenroscar o Adaptador para Mochila e remover os suportes para lentes, se houver.
  - c. Remover a copa oral/nasal, puxando-a suavemente do corpo do diafragma de voz.
  - d. Retirar as válvulas de inalação e as sedes das válvulas na copa oral/nasal.
  - e. Desenroscar o protetor da válvula de exalação da sede. Remover a válvula e a sede da válvula, bem como o flange roscado que segura a sede da válvula.
  - f. Remover o conjunto do diafragma de voz, desenroscando a porca do diafragma de voz na parte externa da máscara. Empurrar o corpo do diafragma de voz para dentro da máscara para removê-lo. Girar o anel de bloqueio no sentido anti-horário para remover o diafragma de voz, tomando cuidado para não perder os dois anéis o-ring laranja.
  - g. Empurrar os conectores do cartucho para desencaixá-los das juntas de vedação. Remover as juntas do cartucho do visor.
2. Inspeccionar todos os componentes, verificando se não estão desgastados ou danificados.
  - a. Verificar se não existem furos, rupturas, fissuras ou outros sinais de desgaste nos componentes.
  - b. Substituir quaisquer componentes que estejam danificados ou ausentes.**
3. Lavar os componentes da máscara facial.
  - a. Preparar uma solução limpadora desinfetante de acordo com as recomendações.
  - b. Lavar abundantemente a máscara facial e os componentes com a solução limpadora desinfetante. Usar uma escova macia para eliminar quaisquer sujeiras da máscara facial e do tirante de cabeça.
  - c. Enxaguar a máscara facial e os componentes com água morna e deixá-los secar completamente.
4. Montar a máscara novamente seguindo todas as etapas indicadas em INSPEÇÃO. Referir-se ao esquema PEÇAS DE REPOSIÇÃO no final deste Manual de Instruções ou ao Poster de Peças de Reposição para Máscara Facial Honeywell.
  - a. Inspeccionar todos os componentes à medida que forem sendo montados. Substituir quaisquer peças danificadas ou ausentes. Assegurar-se de que a copa oral/nasal corresponde ao tamanho da máscara facial, verificando a(s) letra(s) na parte frontal da copa oral/nasal. Se figurar um 760008A, a copa é de tamanho “M/G” (médio/grande) (ref. 80815-H5). Se tiver um 760008AS, a copa é de tamanho “P” (pequeno) (ref. 80800-H5).
  - b. Instalar o anel isolante (ref. 80871A) no visor, assegurando-se de que o flange maior esteja do lado de dentro e que os flanges interno e externo estejam perfeitamente ajustados ao visor.
  - c. Montar um conjunto de válvulas de inalação (ref. 770017) nos conectores do cartucho (ref. 770016), certificando-se de que estejam perfeitamente ajustadas aos conectores.
  - d. Inserir os conectores do cartucho, empurrando-os através dos anéis isolantes no interior da máscara. Assegurar-se de que os conectores estejam perfeitamente ajustados aos flanges em toda a sua extensão.
  - e. Inserir o diafragma de voz (ref. 80870-H5) no corpo do diafragma de voz (ref. 80858-H5), de maneira que os orifícios fiquem voltados para fora e o anel o-ring laranja menor (ref. 80857A) fique entre o diafragma de voz e o corpo. Colocar

- o anel de bloqueio na parte superior do diafragma de voz e apertá-lo manualmente, girando no sentido horário.
- f. Posicionar os anéis o-ring (ref. 80861A) no corpo do diafragma de voz e inserir o conjunto do diafragma de voz na abertura maior do visor, de maneira que as linguetas da abertura fiquem alinhadas com as ranhuras do corpo, e que o anel o-ring fique entre a parte interna do visor e o corpo do diafragma de voz. Quando inseridas corretamente, as estrias do corpo ficam completamente encaixadas no visor e o corpo ficará nivelado com a parte interna do visor.
  - g. Posicionar a porca externa (ref. 80862-H5) na rosca do corpo e apertar manualmente no sentido horário.
  - h. Instalar as válvulas de inalação restantes (ref. 770017) nas sedes das válvulas (ref. 80814A) da copa oral/nasal (ref. 80815 para médio/grande e 80800-H5 para pequeno), assegurando-se de que estejam perfeitamente assentadas nas sedes. Inserir o conjunto formado pela sede e válvula de inalação na copa oral/nasal.
  - i. Posicionar a copa oral/nasal, empurrando o flange inferior da copa através da abertura menor do visor, de maneira que fiquem nivelados. Apertar a copa, girando até que a ponta da mascarilha nasal fique virada para cima. Encaixar a abertura maior da copa no sulco do corpo do diafragma de voz, que está adiante do visor.
  - j. Inserir a válvula de exalação (ref. 770018) na sede da válvula (ref. 80862-H5) e empurrar a lingueta até ouvir um “clique”. Quando inserida corretamente, a extremidade chata da válvula de exalação fica do lado da rosca da sede e se nivela com a sede.
  - k. Introduzir o conjunto da válvula de exalação através da abertura inferior da copa oral/nasal já montada na máscara facial. Pode ser preciso exercer uma leve pressão para encaixar o conjunto completamente. Posicionar o invólucro de proteção de exalação (ref. 80867-H5) na rosca do corpo e apertar manualmente, girando no sentido horário.

### ADVERTÊNCIA

Nunca deixe cartuchos ou filtros entrar em contato com a água ou com as soluções de limpeza e sanitizantes. A umidade pode danificar esses componentes e o não cumprimento desta advertência resultará em riscos de lesões e doenças graves ou morte.

### RECOLOCAÇÃO DO VISOR E FIXADOR DO VISOR

Não há necessidade de remover o visor e seus fixadores durante a limpeza de rotina. Para uma limpeza completa ou reparos, talvez seja necessário removê-los e/ou trocá-los. O que você vai precisar: uma chave de fenda Phillips e alicate de ponta fina.

Para remover:

- 1) Siga as instruções acima para remover todos os componentes.
- 2) Use o alicate de ponta fina para prender a porca no fixador do visor e afrouxar os parafusos localizados em ambos os lados do fixador.
- 3) Puxe os fixadores do visor para fora da vedação facial.
- 4) Afaste a vedação facial do visor

Para montar:

- 1) Coloque a vedação do visor na máscara, certificando-se de que está centrada e não há aberturas.
- 2) Coloque os fixadores superior e inferior do visor no visor e na vedação facial.
- 3) Use o alicate de ponta fina para aproximar os fixadores do visor. Insira os parafusos de forma que o lado rosqueado fique voltado para cima.
- 4) Assente a porca na cavidade do fixador do visor, rosqueie a porca no parafuso e aperte.

### ATENÇÃO

Não use soluções de limpeza abrasivas no visor. Produtos abrasivos podem remover o revestimento protetor do visor, deixando-o suscetível a riscos e à degradação química.

### ARMAZENAMENTO

Armazene em uma área limpa e seca, evitando a possibilidade de contaminação. Use o saco para armazenagem do respirador fornecido com a máscara ou qualquer outro recipiente vedável que oferecerá proteção à máscara. A temperatura ambiente entre 10 °C (50 °F) e 38 °C (100 °F) é ideal para o armazenamento.

### ADVERTÊNCIA

Nunca armazene a máscara com cartuchos ou filtros que tenham sido expostos a contaminantes. Se os cartuchos e/ou filtros forem reutilizados, vede-os em um saco ou recipiente separado. Não exponha a máscara à luz solar direta, poluentes químicos ou poeira.

Cartuchos previamente expostos a contaminantes com um baixo ponto de ebulição e todos os filtros com classificação R do NIOSH expostos a aerossóis a base de óleo devem ser descartados ao fim da jornada de trabalho.

O não cumprimento destes avisos resultará no risco de lesão ou doença grave e até mesmo morte

### OBSERVAÇÃO

Ao descartar cartuchos contaminados, peças faciais ou componentes, siga os regulamentos locais, estaduais e/ou nacionais relativos ao descarte de HazMat e/ou outros artigos contaminados. Consulte seu supervisor e/ou as autoridades relevantes.

### ATENÇÃO

Não exponha o respirador a calor excessivo (acima de 140 ° F [60 ° C]), umidade ou substâncias contaminantes, ou coloque peso indevido sobre a peça facial ou os componentes durante o armazenamento. Essas condições podem distorcer a peça facial, resultando na impossibilidade de obter um encaixe adequado na próxima vez que a peça facial for usada, ou podem comprometer a funcionalidade do componente.

## PEÇAS DE REPOSIÇÃO

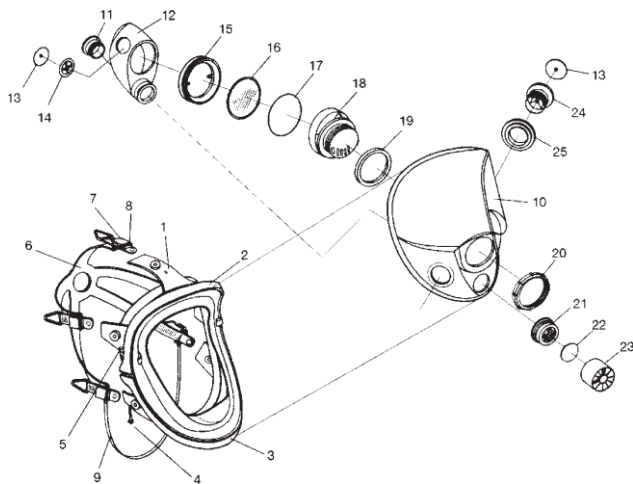
### Conjunto completo

Para respiradores aprovados pelo NIOSH:

760008A, S	Máscara inteira, tamanhos médio/grande e pequeno
760008AW, SW	Máscara inteira com acessório para solda, tamanhos médio/grande e pequeno

Para respiradores aprovados pela AS/NZS:

760008AA, S	Máscara inteira, tamanhos médio/grande e pequeno
760008AAW, SW	Máscara inteira com acessório para solda, tamanhos médio/grande e pequeno



### Peças de reposição

1a	80840-H5	Máscara básica, Média/Grande
1b	80801-H5	Máscara básica, pequena
2 & 3	80798-H5	Fixadores do visor, superior e inferior (1 conjunto)
4	80843A	Parafuso, fixador do visor
5	80844A	Porca, fixador do visor
6	80845	Tirante, sem ferragens
7	80846A	Engate, tirante
8	80847A	Trinco, tirante
9	80848-H5	Conjunto de alça de pescoço
10	80849-H5	Visor
11	80852-H5	Flange
12a	80815-H5	Copa nasal/bucal, Média/Grande
12b	80800-H5	Copa nasal/bucal, Pequena
13	770017	Válvula de inalação
14	80814A	Sede da válvula para a copa nasal/bucal
15	80855-H5	Anel de retenção
16	80870-H5	Diafragma da voz
17	80857A	Anel de vedação, diafragma da voz
18	80858-H5	Caixa, diafragma da voz
19	80861A	Anel de vedação, diafragma da voz
20	80862-H5	Porca, adaptador
21	80863-H5	Sede da válvula de exalação
22	770018	Válvula de exalação
23	80867-H5	Proteção da válvula de exalação
24	770016	Conector do cartucho
25	80871A	Anel isolante

## **COMPONENTES ADICIONAIS**

**Nº de ref. Descrição**

### **Suportes de cartuchos e filtros**

N750035	Adaptador para filtros de baixo perfil, para fixar os filtros nos cartuchos contra gases ou vapores
N750036	Conjunto para filtros. Inclui (2) tampas N750027 e (2) tampas de filtro tipo aranha N750038 para prender almofadas de filtro nos cartuchos contra gases e vapores
N750037	Conjunto para filtros. Inclui (2) tampas N750027 e (2) suportes de filtro N750015 para conectar os filtros à máscara
N750037A	Conjunto para filtros. Inclui (2) tampas N750027 e (2) suportes de filtro N750015 para conectar os filtros à máscara
BP1002	Adaptador para mochila

### **Acessório de solda**

8404-H5	Kit de acessórios de solda, converte o 7600 em uma máscara de solda
8419	Capa de solda resistente a chamas (somente em respiradores aprovados pelo NIOSH)

### **Suportes para óculos e visores descartáveis**

80100-H5	Suporte para óculos, armação plástica com ventosa
760023	Suporte para óculos, armação metálica com mola de arame
760024	Suporte para óculos, armação metálica com ventosa
80836A	Visor descartável. Três visores descartáveis por conjunto, cinco conjuntos por pacote

## **GARANTIA LIMITADA**

**A Honeywell Safety Products garante ao proprietário original que esta máscara não apresentará nenhum defeito de material e mão de obra por um período de 1 (um) ano a partir da data de remessa original da fábrica da Honeywell. De acordo com esta garantia, a responsabilidade da Honeywell será, a seu critério, reparar ou trocar gratuitamente a máscara ou quaisquer de seus componentes que julgue estarem defeituosos durante o período de garantia, de acordo com os seguintes termos:**

2. A reivindicação da garantia seja (i) feita pelo proprietário que adquiriu a máscara série 7600 da Honeywell ou de um de seus distribuidores autorizados e (ii) feita no máximo após 3 (três) meses do término do período da garantia.
3. A Honeywell julgar que a máscara ou o componente da série 7600 apresentou defeito dentro do período de 1 (um) ano de utilização e manutenção normais da data de aquisição do produto pelo proprietário.
4. A máscara ou componente da série 7600 seja enviado com frete pré-pago à Honeywell, quer para a sua fábrica ou para um de seus centros de serviços autorizados. A máscara ou o componente será posteriormente reenviado ao proprietário com frete a pagar.
5. Esta garantia não se aplica (i) a nenhuma máscara ou componente da série 7600 que a Honeywell julgue estar defeituosa em decorrência de acidentes, alterações, uso indevido, abusos ou serviços de manutenção realizados com peças não aprovadas pela Honeywell; (ii) a deterioração ou envelhecimento de qualquer componente feito de borracha ou de outro elastômero, já que tais componentes podem ser prejudicados por exposição indevida ao calor, sol, água, produtos químicos, ozônio ou outros elementos deteriorantes; ou (iii) peças que se tornam defeituosas com o decorrer do uso normal. A decisão do que constitui uso normal será tomada exclusivamente pela HONEYWELL SAFETY PRODUCTS.
6. Para manter esta garantia, o comprador deverá realizar manutenções e inspeções conforme estabelecidas no Manual de Instruções, que incluem a substituição ou reparo imediato de peças defeituosas.

**O PROPRIETÁRIO ASSUME TODOS OS DEMAIS RISCOS, SE HOUVER, TAIS COMO O RISCO DE PERDAS DIRETAS, INDIRETAS OU CONSEQUENTES OU DE DANOS DECORRENTES DO USO OU DA INCAPACIDADE DE USAR O PRODUTO. A MANUTENÇÃO DOS RESPIRADORES HONEYWELL COM PEÇAS NÃO APROVADAS PELA HONEYWELL ANULARÃO A PRESENTE GARANTIA LIMITADA, BEM COMO AS AUTORIZAÇÕES CONFERIDAS PELO NIOSH E PELA AS/NZS PARA OS RESPIRADORES. ESTA GARANTIA LIMITADA SUBSTITUI QUAISQUER OUTRAS GARANTIAS, EXPLÍCITAS OU IMPLÍCITAS, NÃO PODENDO SER ALTERADA OU PRORROGADA SEM A AUTORIZAÇÃO POR ESCRITO DE UM REPRESENTANTE OFICIAL AUTORIZADO DOS PRODUTOS DE SEGURANÇA DA HONEYWELL.**