

Core Mount Sleeve

Model: DH-9ZP and DH-9SS

Description

Zinc plated mild steel or stainless steel constructions. Designed for slip-in installation into Ø4.0 core hole in concrete or in an existing steel structure. Comes with PVC sleeve liner.

Materials

FOR DH-9ZP

General Construction:	Welded Steel
Weld Certification:	AWS
Structure Material:	A-36 Steel Plate
Sleeve Material:	Sch. 40 Pipe
Sleeve Bearing Material:	PVC Pipe ASTM-D-1785
Thrust Bearing Material:	High Density Polyethylene
Finish (Steel Sleeves):	Zinc Chromate
Plating Specification:	ASTM Designation B633-85, Type II, SC2

FOR DH-9SS

General Construction:	Stainless Steel
Weld Certification:	AWS
Structure Material:	304 SS
Sleeve Material:	304 SS
Sleeve Bearing Material:	PVC Pipe ASTM-D-1785
Thrust Bearing Material:	High Density Polyethylene
Finish (Stainless Steel):	Brush Blast

Technical

Rated Capacity:	450lbs (204kg) working load limit @ minimum 4:1 Design Factor
Mast Moment Proof Load	90,000 in-lbs (10,200 N.m)
Mast Rotation	360°
Weight	8lbs (3.6kg)

Note: Sleeves are designed to withstand the proof load rating of all standard Miller DuraHoist masts.



Mounting Requirements (Minimum)

The structure and mounting hardware must be capable of withstanding a 90,000lbs (10,170kNm) moment and a 5,000lb (22.2kN) vertical load.

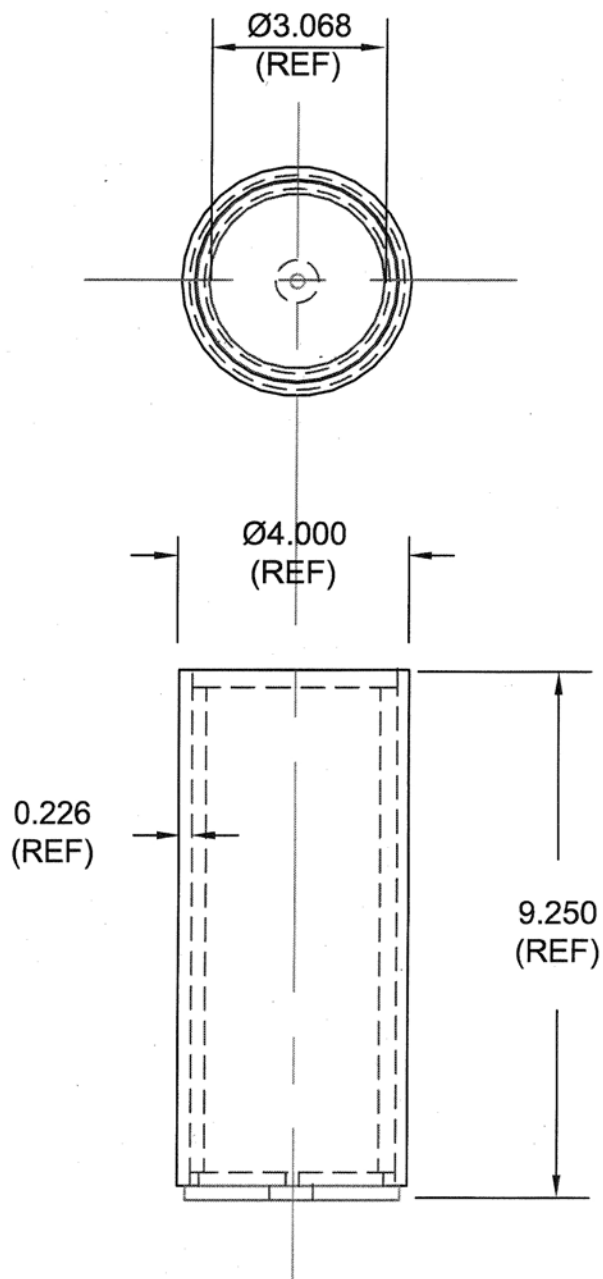
Note: Concrete MUST be sufficiently thick or have sufficient underlying structure to support the 5000lbs (2268kgs) vertical load. Installation MUST be approved to local standards by a qualified engineer.

Application Restrictions

1. Sleeves are for use with approved masts and accessories ONLY.
2. System design factor depends on other system components and the configurations in which they are assembled. The minimum design factor for all standard MILLER DuraHoist mast and accessories is 4:1.
3. All welding is to be carried out by qualified personnel.
4. If base material does not meet minimum requirements, reinforcement MUST be added to meet minimum requirements.
5. Each installation MUST be approved to local standards by a qualified engineer.

Core Mount Sleeve

Model: DH-9ZP and DH-9SS



MILLER

by Honeywell

Toll Free 800.873.5242 (press 4) • hsptechsupport@honeywell.com • www.millerfallprotection.com

WARNING! THIS DOCUMENT PROVIDES AN OVERVIEW OF FALL PROTECTION PRODUCTS AVAILABLE FROM HONEYWELL AND CARE HAS BEEN TAKEN TO ASSURE THE ACCURACY OF THE DATA. IT DOES NOT PROVIDE IMPORTANT PRODUCT WARNINGS AND INSTRUCTIONS. HONEYWELL RECOMMENDS ALL USERS OF FALL PROTECTION EQUIPMENT UNDERGO THOROUGH TRAINING, AND THAT ALL WARNINGS AND INSTRUCTIONS PROVIDED WITH THE PRODUCTS BE THOROUGHLY READ AND UNDERSTOOD PRIOR TO EACH USE. FAILURE TO READ AND FOLLOW ALL PRODUCT WARNINGS AND INSTRUCTIONS COULD RESULT IN SERIOUS INJURY OR DEATH.