

# 17D-1 Carabiner

## Description

Miller twist lock carabiners with spring loaded keepers are used as anchorage connectors. The 17D-1 has a 1" gate opening, and is plated to resist rust and corrosion.

## Materials

**Carabiners:** Zinc Dichromate Plated  
Forged Alloy Steel

## Technical

**Proof Tested:** 3,600 lbs (16kN)

**Min Tensile Strength:** 5,000 lbs (22.2kN)

**Max Working Load:** 400 lbs (181kg)

**Weight:** 8.0 oz.

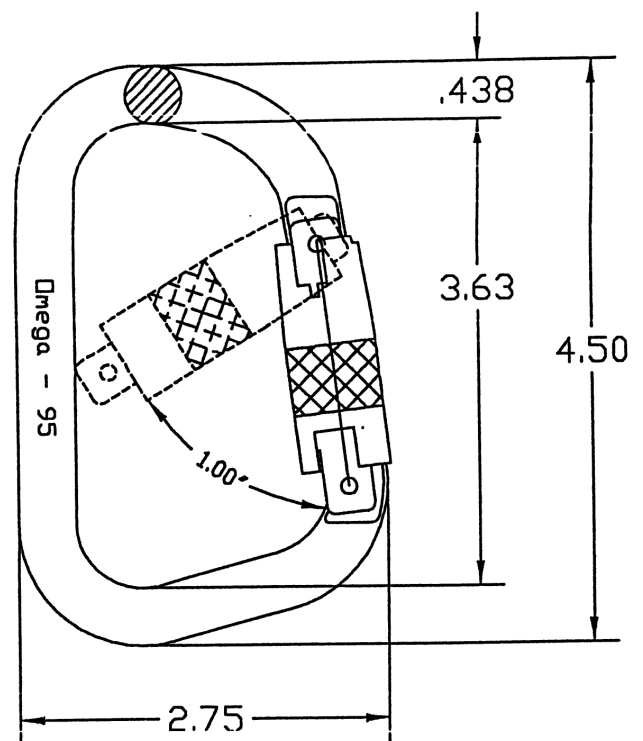
## Certification

Meets or exceeds OSHA 1926.502, ANSI Z359-2007 and CSA Z259.12 requirements.

\*ANSI Z359-2007 compliant for connectors which meet the 3,600lb gate requirements.

## Warning!

Carabiner must be closed and locked prior to use. Inspect before each use. Improper use could result in serious injury or death.



**MILLER**<sup>®</sup>  
by SPERIAN

Toll Free 800-873-5242 • Phone 814.432.2118 • Fax 814.437.2973 • [www.millerfallprotection.com](http://www.millerfallprotection.com)

**WARNING!** THIS DOCUMENT PROVIDES AN OVERVIEW OF FALL PROTECTION PRODUCTS AVAILABLE FROM MILLER FALL PROTECTION AND CARE HAS BEEN TAKEN TO ASSURE THE ACCURACY OF THE DATA. IT DOES NOT PROVIDE IMPORTANT PRODUCT WARNINGS AND INSTRUCTIONS. MILLER FALL PROTECTION RECOMMENDS ALL USERS OF FALL PROTECTION EQUIPMENT UNDERGO THOROUGH TRAINING, AND THAT ALL WARNINGS AND INSTRUCTIONS PROVIDED WITH THE PRODUCTS BE THOROUGHLY READ AND UNDERSTOOD PRIOR TO EACH USE. FAILURE TO READ AND FOLLOW ALL PRODUCT WARNINGS AND INSTRUCTIONS COULD RESULT IN SERIOUS INJURY OR DEATH.