



**FSL100 SERIES FLAME DETECTORS
AND ACCESSORIES**

Revision History

Revision	Comment	Date
Issue 01	First Issue	29/07/2015
Issue 02	First Revision	02/09/2016
Issue 03		

Disclaimer

In no event shall Honeywell be liable for any damages or injury of any nature or kind, no matter how caused, that arise from the use of the equipment referred to in this manual.

Strict compliance with the safety procedures set out and referred to in this manual, and extreme care in the use of the equipment, are essential to avoid or minimise the chance of personal injury or damage to the equipment.

The information, figures, illustrations, tables, specifications, and schematics contained in this manual are believed to be correct and accurate as at the date of publication or revision. However, no representation or warranty with respect to such correctness or accuracy is given or implied and Honeywell will not, under any circumstances, be liable to any person or corporation for any loss or damages incurred in connection with the use of this manual.

The information, figures, illustrations, tables, specifications, and schematics contained in this manual are subject to change without notice.

Unauthorised modifications to the detection system or its installation are not permitted, as these may give rise to unacceptable health and safety hazards.

In no event shall Honeywell be liable for any equipment malfunction or damages whatsoever, including (without limitation) incidental, direct, indirect, special, and consequential damages, damages for loss of business profits, business interruption, loss of business information, or other pecuniary loss, resulting from any violation of the above prohibitions.

Warranty

Honeywell Analytics warrants the FSL100 Series Flame Detection system and accessories against defective parts and workmanship, and will repair or (at its discretion) replace any components that are or may become defective under proper usage within 24 months from the date of commissioning by a Honeywell Analytics approved representative* or 30 months from shipment from Honeywell Analytics, whichever is sooner.

This warranty does not cover consumable, batteries, fuses, normal wear and tear, or damage caused by accident, abuse, improper installation, unauthorized use, modification or repair, ambient environment, poisons, contaminants or abnormal operating conditions.

This warranty does not apply to sensors or components that are covered under separate warranties, or to any 3rd-party cables and components

Any claim under the Honeywell Analytics Product Warranty must be made within the warranty period and as soon as reasonably practicable after a defect is discovered. Please contact your local Honeywell Analytics Service representative to register your claim.

This is a summary. For full warranty terms please refer to the Honeywell Analytics' General Statement of Limited Product Warranty, which is available on request.

* A Honeywell Analytics approved representative is a qualified person trained or employed by Honeywell Analytics, or a qualified person trained in accordance with this manual.

Copyright Notice

Honeywell is the registered trademark of Honeywell Safety and Productivity Solutions (SPS).

FSL100 is a registered trademark of Honeywell Analytics (HA).

Other brand and product names mentioned in this manual may be trademarks or registered trademarks of their respective companies and are the sole property of their respective holders.

Find out more at www.honeywellanalytics.com

This page deliberately left blank.

CONTENTS

Contents

1	Introduction	3
1.1	Intended Readers	3
2	Safety Hazards, Warnings and Cautions	5
2.1	General Warnings and Cautions	5
2.2	Important Information.....	5
2.3	FSL100 Safety Features	6
3	Overview	7
4	Mechanical Installation	9
4.1	Siting.....	9
4.2	Mounting and Orientation.....	9
4.3	Installing the FSL100 Flame Detectors.....	9
4.4	Cone of Vision	10
4.5	Shadow Effect.....	10
4.6	Mounting Below a Ceiling	11
4.7	Vote Count.....	12
4.8	Weather Protection	13
4.9	Hot Work.....	13
5	Electrical Installation	15
5.1	Power Supply.....	15
5.2	Cabling Recommendations.....	15
5.3	Earth (Ground) Regimes.....	15
5.4	Wiring Diagram	16
5.5	Electrical Connection (General)	17
5.6	Wiring to a Controller (General)	17
5.7	Wiring to a Fire Control Panel.....	18
5.8	Wiring to a PLC.....	19
5.9	Wiring to a 4-20 mA Non-Isolated (Sourcing) Current Output.....	19
5.10	Connecting the Manual Self-Test.....	19
5.11	FSL100 Latching Alarm Settings	20
6	Commissioning and Testing	21
6.1	Commissioning	21
6.2	Functional Testing	22
6.3	Fault Analysis	22
6.4	Fault Testing.....	23
7	FSL100 Operation	25
7.1	The Display LEDs	25
7.2	Normal Operation	25
7.3	Fault Conditions.....	25
7.4	Relay Outputs	25
7.5	Analogue Output 0–20 mA (Stepped, Sinking, Non-Isolated).....	25
7.6	Self-Testing.....	25
7.7	Manual Self-Test.....	26
8	Maintenance	27
9	FSL100-SM21 Swivel Mount	29

CONTENTS

9.1	How to Install the Detector Using the Swivel Mounting.....	29
9.2	Cleaning	30
10	FSL100-TL Test Lamp Non-EX.....	31
10.1	Safety Instructions	31
10.2	Before First Use.....	32
10.3	Test Lamp Operation	32
10.4	Battery Charging and Storage:	32
10.5	Bulb Replacement	33
11	FSL100-TLX Test Lamp Hazardous Areas	35
11.1	Safety Instructions	35
11.2	Before First Use.....	36
11.3	Operation.....	36
11.4	Battery Replacement	36
12	FSL100 Specifications	37
13	Accessory Specifications.....	39
14	FSL100 Certifications	41
14.1	EC Declaration of Conformity	41
14.2	National and International Certificates of Compliance	41
14.3	Rating Label.....	41
14.4	North American approvals – cFMus class 3611 & FM class 3260	43
15	Ordering Information	43
16	Returns and Repairs Policy	45
17	List of Figures	47
18	List of Tables.....	49

INTRODUCTION

1 Introduction

This technical manual is available in several languages and it covers the installation, operation and maintenance of the following equipment:

- FSL100-IR3 Flame Detector (Triple Infrared)
- FSL100-UV Flame Detector (Ultraviolet)
- FSL100-UVIR Flame Detector (Ultraviolet and Infrared)
- FSL100-TL Test Lamp, Charger and Case (Safe Areas)
- FSL100-TLX Test Lamp, Charger and Case (Intrinsically safe – IECEx, ATEX)
- FSL100-SM21 Swivel Mounting

1.1 Intended Readers

This Manual should be read by everyone who operates or monitors the FSL100 Flame Detection system.

Only personnel who have been fully trained by Honeywell are authorised to Install, Set-up, Service, and Test, Repair, or Recondition Honeywell flame detection systems.

INTRODUCTION

This page deliberately left blank.

SAFETY

2 Safety Hazards, Warnings and Cautions



Important

Read and understand the instruction manual before operating or servicing the equipment.

2.1 General Warnings and Cautions



WARNINGS AND CAUTIONS

1. Installation and commissioning must only be carried out by a Honeywell Analytics approved person or by a qualified person trained in accordance with this manual, and only in accordance with the recognized regulations and standards of the appropriate authority in the country concerned.
2. Do not make any unauthorised changes to the equipment as essential safety and certification requirements may be invalidated.
3. Do not operate the detectors in normal conditions with covers open or removed. Access to the interior of the detector must only be carried out by trained personnel.
4. Ensure the detector power is off and electrically isolated before opening the detector in a hazardous area. Do not open the enclosure or touch live terminals when the system is energised.
5. Do not touch or contaminate the sensors or lenses as this may shorten their life and may affect their sensitivity to UV / IR radiation. Clean contaminated sensors and lenses carefully using lint-free or micro-fibre cloth dampened only with optical-grade cleaning solution.
6. These flame detectors do not require earthing (grounding), but must be installed correctly to avoid electrical shocks and interference.
7. The FSL100 Flame Detector is only assessed under ATEX for ignition hazards.
8. Operators, site personnel and visitors should be made fully aware of the action to be taken in the event of an alarm sounding.

2.2 Important Information

This manual is for use with FS100 Series Fire Detectors only.

Honeywell Analytics can take no responsibility for installation and/or use of its equipment if not done so in accordance with the appropriate issue and/or amendment of the Operating Manual.

The reader of this Manual should ensure that it is appropriate in all details for the exact equipment to be installed and/or operated. If in doubt, contact Honeywell Analytics for advice.

The following types of notices are used throughout this Operating Manual:



Warning

Indicates a potentially hazardous situation that, if not avoided, **could result** in death or serious injury.



Caution

Indicates a potentially hazardous situation that, if not avoided, **may result** in minor or moderate injury. It is also used to alert the user against unsafe working practices and potential damage to equipment.

SAFETY

Every effort has been made to ensure the accuracy of this document; however, Honeywell Analytics can assume no responsibility for any errors or omissions in this document or their consequences.

Honeywell Analytics would greatly appreciate being informed of any errors or omissions that may be found in the content of this document.

For information not covered in this document, or if there is a requirement to send comments/corrections about this document, please contact Honeywell Analytics using the contact details given on the back page.

Honeywell Analytics reserve the right to change or revise the information supplied in this document without notice and without obligation to notify any person or organization of such revision or change. If information is required that does not appear in this document, contact the local distributor/agent or Honeywell Analytics

2.3 FSL100 Safety Features

The FSL100 has the following safety features:

- Hazardous area certified: ATEX Zone 2/22, FM Class 1, 2, 3 Div. 2
- Performance certified: EN54-10 and FM 3260
- Robust Glass Reinforced Polyester (GRP) housing, which is available in standard red housing or white housing options and is:
 - Light weight but impact resistant
 - Weather sealed and incorporating pressure compensating breather
 - Non-Incendive (flameproof), non-corrosive and UV resistant
- Automatic Sensor self-test continuously monitors the sensors, electronics and firmware for proper operation
- Manual Self test initiated by contact closure
- Relay and mA sink outputs and selectable latching / non-latching alarm relay outputs
- Local status LEDs
- Optional (safe area or hazardous area) Function Test Lamps to enable simple coverage and operational checks of the Honeywell FSL100 series Flame Detectors (with long range test source detection)

OVERVIEW

3 Overview

The Honeywell Analytics FSL100 series of Flame Detectors comprises three models:

- FSL100-IR3 Triple Infrared flame detector
- FSL100-UV Ultraviolet flame detector
- FSL100-UVIR Ultraviolet and Infrared flame detector

These flame detectors monitor an area by looking for the presence of invisible infrared or ultraviolet light that occur outside the frequency range occupied by visible flames, and they can do this in the presence of interference (sunlight, smoke, dust, vapour etc.) to determine whether or not a fire is actually present within their field of view.

All three detectors utilize a microprocessor for sophisticated electronic signal analysis. Detectors with IR sensors also analyse the flame flicker effect. The Triple IR flame detector uses this method to give highly reliable nuisance alarm rejection and is also less affected by optical contamination and smoke than are UV based flame detectors.

The diagram below shows the spread of invisible UV/IR radiation that is available for sampling outside the human visual range, and shows how a UV/IR detector can be potentially 1 million times more sensitive than a human eye.

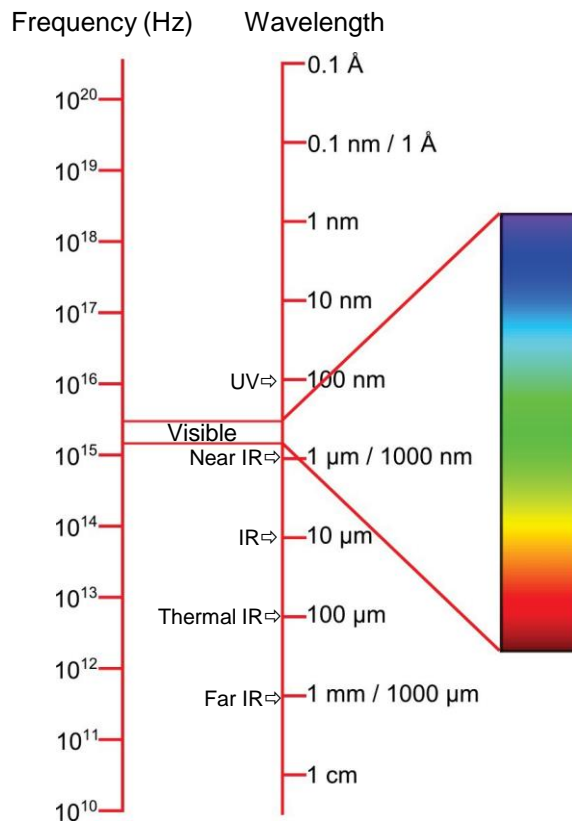


Figure 1. Comparison of Visible Radiation Range to UV/IR Radiation Range

Note: Monitoring a fire zone (i.e. a fume chamber) through its glass or acrylic walls could reduce or defeat the sensitivity of certain types of flame detector.

For example, plain glass and acrylic are known to block IR but may transmit UV, whereas coated materials may block both.

Please consult Honeywell Analytics Technical Support for further information if you need this type of application

OVERVIEW

This page deliberately left blank.

INSTALLATION

4 Mechanical Installation

This chapter describes the mechanical requirements for installing FSL100 Series Flame Detectors. Electrical installation is discussed in the next chapter.

4.1 Siting

The number, type and placement of fire detectors and alarm control systems should be determined in consultation with Honeywell Analytics specialist technical advisors and Site specialists.

Remember that the FSL100 series are flame detectors only; they cannot detect flammable gas or dust atmospheres. Please contact Honeywell Analytics if you need a flammable atmosphere detection system.

Generally speaking, one or more FSL100 flame detectors should be positioned on walls or posts above the monitored object or area, and they should overlap so that shadow areas cannot occur (see diagrams that follow).

4.2 Mounting and Orientation

In this chapter a number of general guidelines are given for the flame detector system design. Several of these guidelines are discussed in more detail in the following chapters.

4.3 Installing the FSL100 Flame Detectors

There are 2 options for installing the FSL100 series of Flame Detectors:

1. You can use the optional Swivel Mount to mount them on walls, ceilings or posts (see *Ch.10 FSL100-SM21 Swivel Mount*).
2. You can mount them directly to a ceiling (i.e. in a fume chamber or in an engine room) or inside ducting.

Use the measurements below for mounting, remembering to allow clearance for the cables.

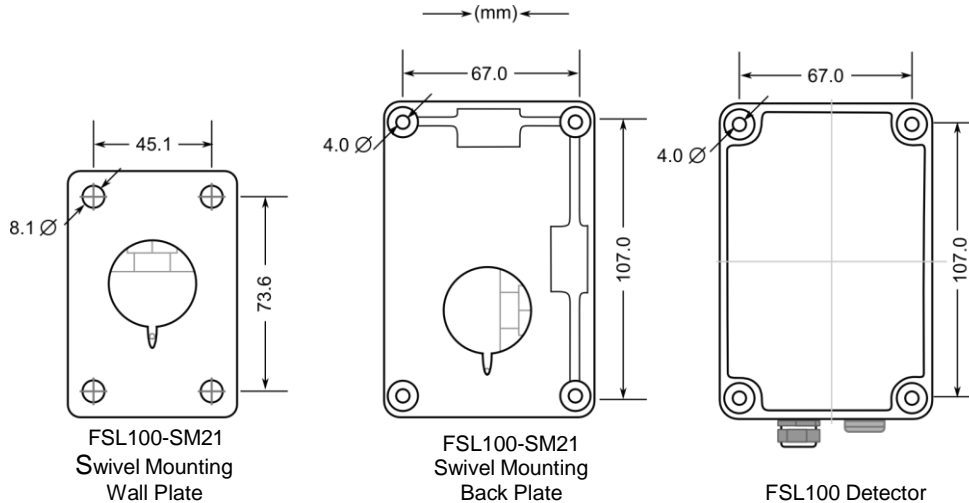


Figure 2. Mounting Hole Dimensions

INSTALLATION

4.4 Cone of Vision

The FSL100 flame detector has a cone of vision of 90° so it can monitor an area extending from floor to ceiling and extending to approximately 23 m (FSL100-UV and UVIR) or 35 m (FSL100-IR3).

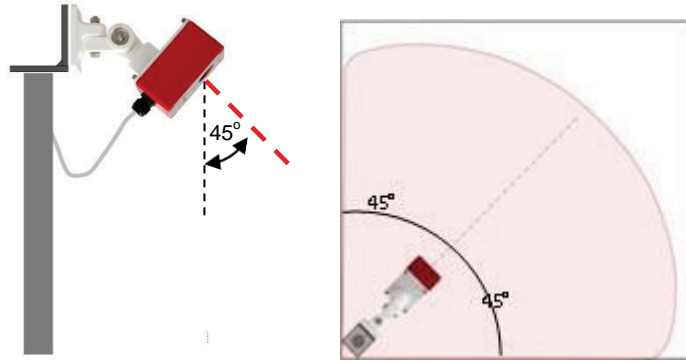
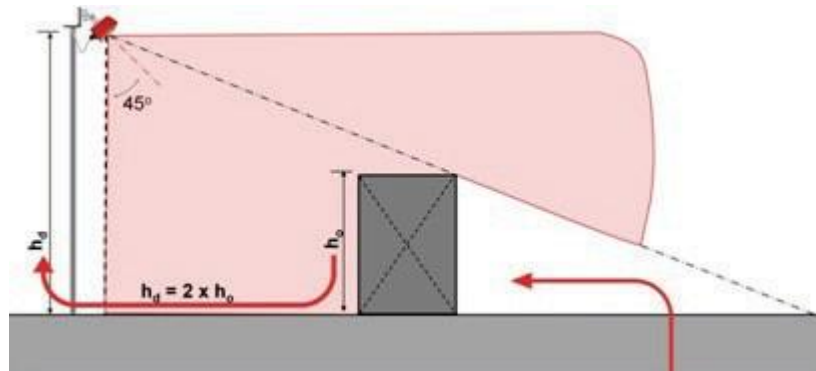


Figure 3. Cone of View

4.5 Shadow Effect

If monitoring a solid object, the mounting height (h_d) of the flame detector should be at least twice the height (h_o) of the highest object in the monitored zone:



Detector height (h_d) = 2 x height of the highest object (h_o) Shadow effect

Figure 4. Shadow Effect

INSTALLATION

To avoid the shadow effect (in zones that cannot be fully monitored by a solo flame detector) place a second flame detector in the opposite corner.

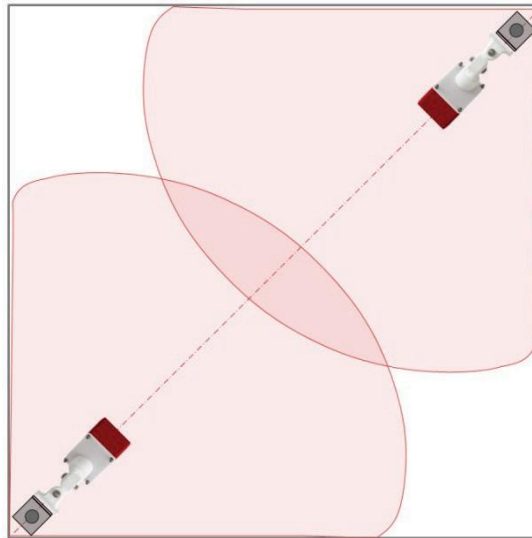


Figure 6. Shadow Cancelling

4.6 Mounting Below a Ceiling

Smoke rises and can form a layer at ceiling height long before naked flames are visible. Dense smoke can block some of the wavelengths of light given off by flames, and this can ultimately decrease the sensitivity and speed of the flame detector.

To avoid the risk of smoke blocking their fields of view, you should mount the FSL100-IR3 flame detectors at least 0.5 m (2 ft), and the FSL100-UV and FSL100-UVIR detectors at least 1.5m (6 ft), below the ceiling (see dimension 'D' below).

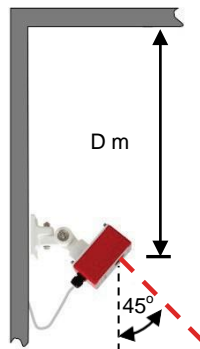


Figure 7. Mounting Clearance



Caution

Reducing the height of a detector above the monitored item will increase the size of shadow areas, so a minimum of two detectors will be required to cover the shadows. See Shadow Effect explanation above.

INSTALLATION

4.7 Vote Count

FSL100 flame detectors will not give an alarm until several different alarm criteria occur at the same time, and the probability of a false alarm is very low. The flame detector is therefore suitable for relay activated actions (i.e. drenching) based on the signal of one flame detector.

However, 'voting' may be demanded in a functional specification, in which case the 'voting-system' may be applied; i.e., the flame detectors may be mounted in multiples, as shown in the example below where an alarm output would be dependent on the controller receiving confirmatory alarm inputs from at least two of the available detectors.

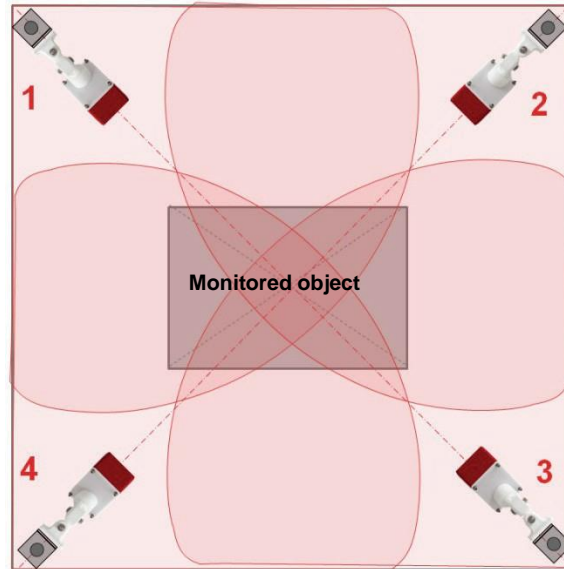


Figure 8. Voting Arrangement Using Four Detectors

A good example of voting would be in a Server room or process room that uses inert gas drenching to replace oxygen in the atmosphere, and the voting of any 2 out of the 4 flame detectors should be mandated before the relay output can be triggered.

Note: The fire control panel or PLC must be able to support the two detector voting system.

Caution

A flame detector is a line of sight detector so voting with just two flame detectors is not reliable. The redundant flame detector in the opposite corner cannot be used for a 2 detector dependent output because a flame occurring in a shadow area would not be seen by the second detector until the fire is well established. In this case the second flame detector will give an alarm too late or not at all.



INSTALLATION

4.8 Weather Protection

It is recommended to place a hood or shield above the flame detector to protect it from sunlight, rain and snow. A stainless steel metal plate of approximately 30 x 30 cm (12 x 12 in) can be mounted directly above the flame detector without inhibiting its field of view. A similar plate can be used to shield it from potential false alarm sources such as smoke-stack flares.

4.9 Hot Work

Flame Detectors may alarm in the presence of hot work, for example a welding operation, and this must be taken into account when doing Hot Work risk assessments and when issuing Hot Work permits.

Usually it is sufficient to inhibit or isolate the alarm system in that area and substitute a 'Fire Marshall' or safety man armed with an appropriate fire extinguisher.

INSTALLATION

This page deliberately left blank.

INSTALLATION

5 Electrical Installation

5.1 Power Supply

Typical Cable Data		Maximum Cable Length (L)	
Cable size (cross sectional area)	Cable resistance Ω/km (Ω/mile)	Metres	Feet
$0.5 \text{ mm}^2 \cong 20 \text{ AWG}$	36.8 (59.2)	245	808
$1.0 \text{ mm}^2 \cong 17 \text{ AWG}$	19.5 (31.4)	462	1516
$1.5 \text{ mm}^2 \cong 16 \text{ AWG}$	12.7 (20.4)	709	2326

Table 1. FSL100 Cable Data

Note: Safety margins should include an allowance for resistance changes due to changes in T ambient over time. I.e. Higher temperature = higher resistance, while resistance may increase due to oxidation or loss of ductility over time.

5.2 Cabling Recommendations

The FSL100 Flame Detector is supplied fitted with a suitable gland. The use of industrial grade, screened and suitably armoured field cable is recommended.

For example, three core copper cable, with screen (90% coverage) and suitable mechanical protection (i.e. insulated steel wire armour) to suit M20 gland entry.

The maximum conductor size for the terminals is 1.5 mm^2 (16 AWG).

Ensure the cable gland is installed correctly and fully tightened. All unused cable/conduit entries must be sealed with a suitable certified sealing plug.

5.3 Earth (Ground) Regimes

Please note:

- Controllers should be connected to protective earth (ground) via an isolator switch that cannot disconnect the earth line.
- Field cable screens should be connected to instrument earth (ground) in the controller only. The other end of the field cable screen shall be cut and isolated.
- Field cable armour / conduit shall be insulated from the cable screening and earthed (grounded).
- Avoid earth (ground) loops at all times.

INSTALLATION

5.4 Wiring Diagram

Terminal 1 has a Blocking Diode for reverse polarity protection and a Multi-fuse for overcurrent protection.

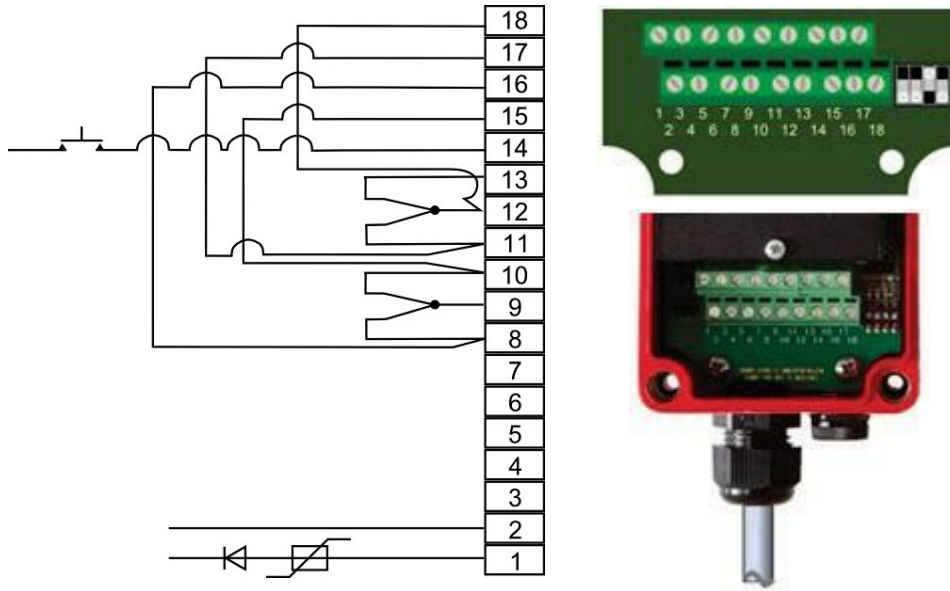


Figure 9. FSL100 Wiring Diagram (Power On – Normal)

Terminal	Input	Terminal	Input
1	+10 to +28 VDC Input	10	NC Alarm
2	-Ve Input	11	NC Fault
3	Not in use	12	MC Fault
4	Not in use	13	NO Fault
5	Not in use	14	+10 to +28 VDC Manual Self Test Input (>5 s)
6	Not in use	15	EOL Resistor
7	4–20 mA Sink Output	16	AL Resistor
8	NO Alarm	17	EOL Resistor
9	MC Alarm	18	AL Resistor

Table 2. FSL100 Terminal Allocation

INSTALLATION

5.5 Electrical Connection (General)

The flame detector has several wiring options; the most important are:

1. Wiring to a fire control panel using the 'current increase' principle.
2. Wiring to a PLC using a 0-20 mA output.
3. Wiring with an additional manual self-test.
4. Stand-alone wiring, with direct use of relays.

Options 1 to 3 are explained in this chapter, and Option 4 is shown in *Chapter 5.4 Wiring Diagram*.



Warning

The cable Earth (Ground) core must be connected to Protective Earth via the Controller power supplies, and the cable screen must be connected to the controller's common earth (ground) point.

The cable armour or conduit must be bonded to Protective Earth at regular intervals while being isolated from the cable screen, cores and controller.

Avoid earth (ground) loops at all times.

5.6 Wiring to a Controller (General):

1. Use multi-core, shielded, twisted pair cable with earth (ground), depending on the panel and the type of connection. The isolation resistance to ground must be at least 500K Ohm.
2. Core size must be 0.5 to 1.5 mm² (20 to 16 AWG).
3. The length and diameter of the wires should be selected so that the flame detector will have sufficient power under all conditions (normal and alarm) to ensure that the operating voltage is never below 10 VDC, especially when in alarm mode.
4. On the flame detector side of the cable leave a 10 cm (4 in) loop of spare cable to allow for alignment of the detector.
5. Grounding on the flame detector side: ensure that the screen cannot make an electrical connection with ground or with the electronics in the detector housing. Ensure that the electronics in the flame detector housing are isolated from local ground to avoid potential differences (ground loops).
6. Do not connect more than one flame detector per loop.

The flame detector has a cable gland fitted with an 8 mm insert. Use the cable gland with the insert for cables from 5.5 – 8 mm diameter. Remove the insert for cables of 8 – 13 mm diameter.



Figure 10. FSL100 Cable Gland with and without Cable Entry Insert

INSTALLATION

5.7 Wiring to a Fire Control Panel

The flame detector can be connected to a fire control panel using the current increase principle.

The flame detector is connected to the fire panel with 3 or 4 core cables, i.e. 2 cores for the power supply and 1 or 2 cores for the loop. An additional core for the manual self-test may be used (see the FSL100 Terminal Connection Diagram).

The end of line resistor (EOL) is placed between the terminals 15 and 17. The alarm resistor (AL) is placed between terminals 16 and 18. The end of line and alarm resistors should be adapted to the fire control panel. They are approximately the same size resistors that are used when connecting a manual call point to a fire control panel.

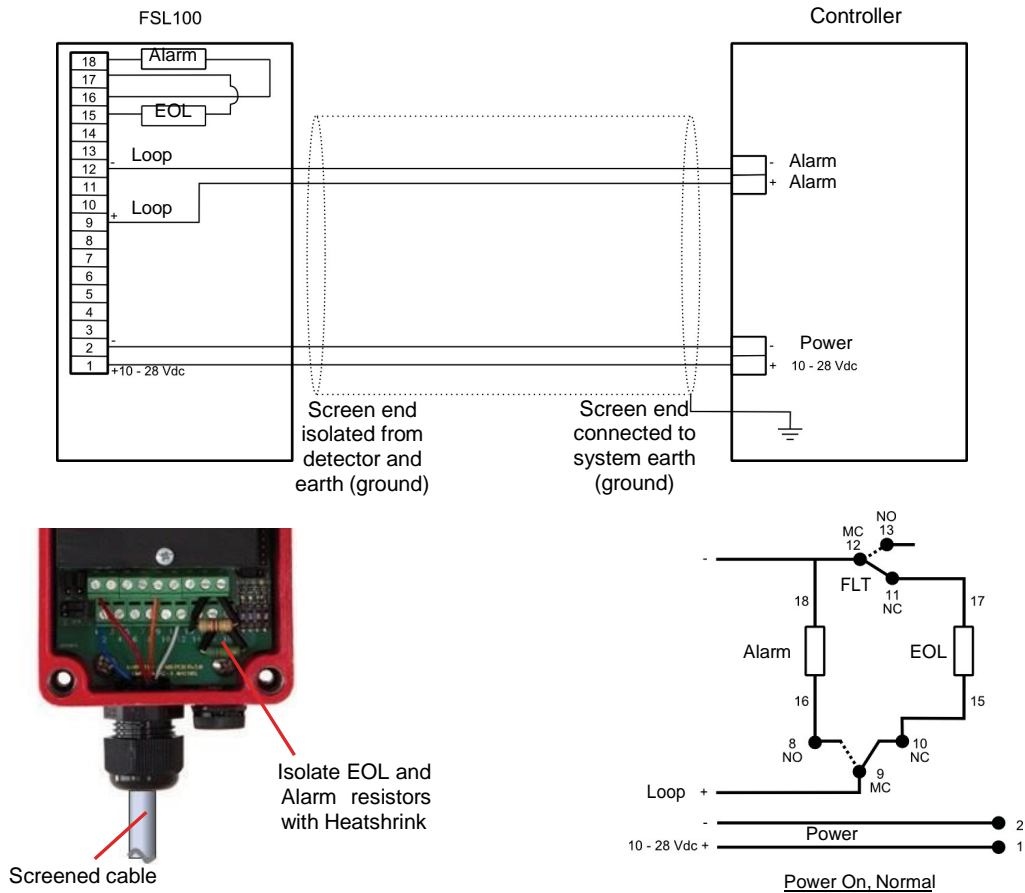


Figure 11. FSL100 to Controller Wiring

Operating Principle:

The loop uses the alarm contact and the fault contact of the flame detector plus two resistors. In the event of a detector fault a wire breakage is simulated. In the event of a fault followed by an alarm, a current V_n/AL is flowing through the loop. Thus an alarm 'overrides' a fault signal, as can be seen in the figure.

Notes:

1. Please consult the fire control panel manufacturer for the values of the Alarm and EOL resistors.
2. The alarm and EOL resistor must be rated 2 W minimum each, and the total power dissipation of both alarm and EOL resistor should not exceed 2 W. Use heat shrink tubing to insulate the legs of the EOL and the AL resistor when in-situ.
3. Do not connect more than one flame detector to a loop.

INSTALLATION

5.8 Wiring to a PLC

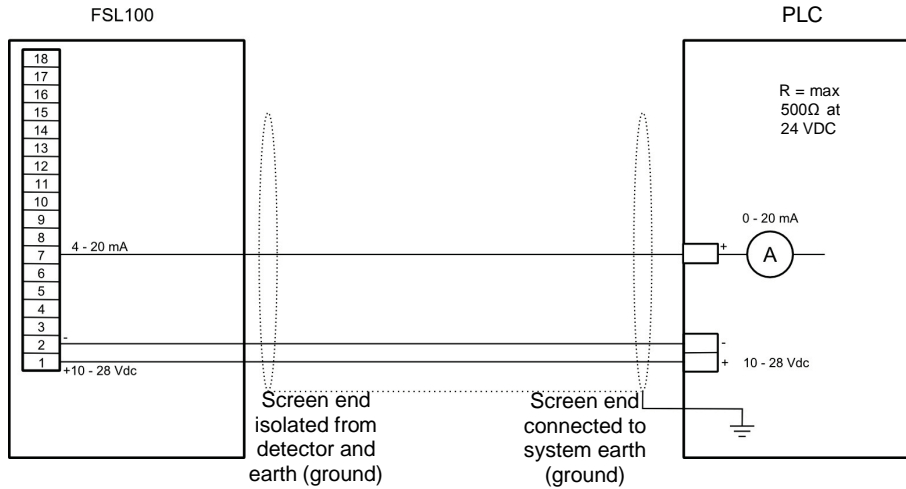


Figure 12. Wiring to a PLC

Notes

1. 0-20 mA sinking analogue output, non-isolated.

5.9 Wiring to a 4-20 mA Non-Isolated (Sourcing) Current Output

The FLS100 detectors can be wired to a 4-20 mA non-Isolated (Sourcing) Output by using the controller's alarm and fault relays, as shown below.

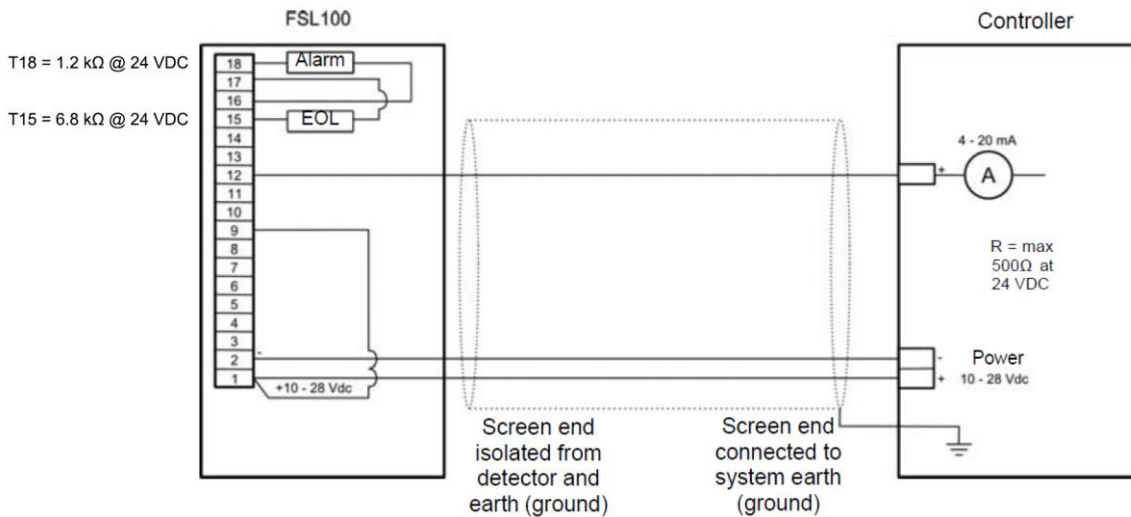


Figure 13. Wiring to a 0-20 mA Non-Isolated (Sourcing) Current Output

The 4-20 mA sourcing output has the following values:

- ≥ 4 mA = Normal operation
- ≥ 20 mA = Alarm
- 0 mA = Fault (the 0 mA current will change to ≥ 20 mA (alarm) if flames are detected while the source is in fault)

Note:

This configuration has 2 wires connected to T1, but you should check if this is forbidden by your local regulations.

INSTALLATION

5.10 Connecting the Manual Self-Test

A manual self-test switch can be incorporated by supplying a +10 to +28 VDC switched current to terminal 14 in the detector. This switch can be integral or external to the Fire Control panel or the PLC.

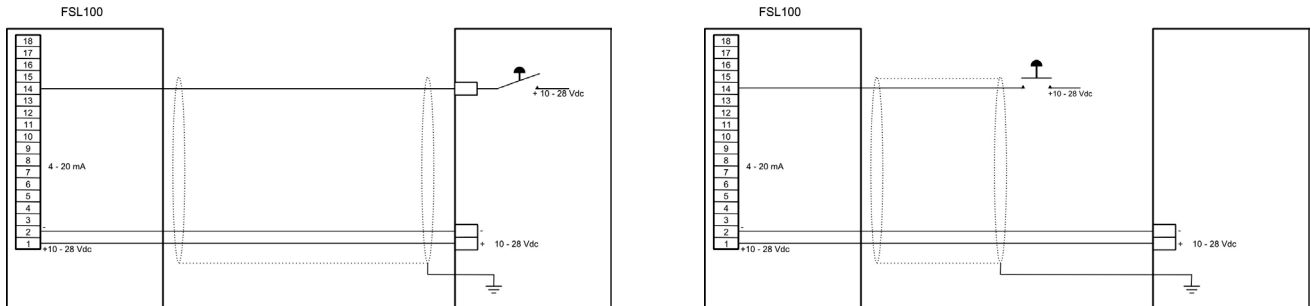


Figure 14. Manual Self-Test Switch Locations

5.11 FSL100 Latching Alarm Settings

The FSL100 uses DIL switch 3 for field selectable alarm latching or unlatching. The default setting is latching ON, and DIL switches 1, 2 and 4 are currently unused.

To change alarm status, change the DIL switch, and then power off for >1 second before switching back on again.

This setting is standard for fire control panels in conformity with the European standard EN54. However, you should always read your controller's handbook as some systems can control alarm latching status by software, in which case there is no need to reset the detector by powering it off.

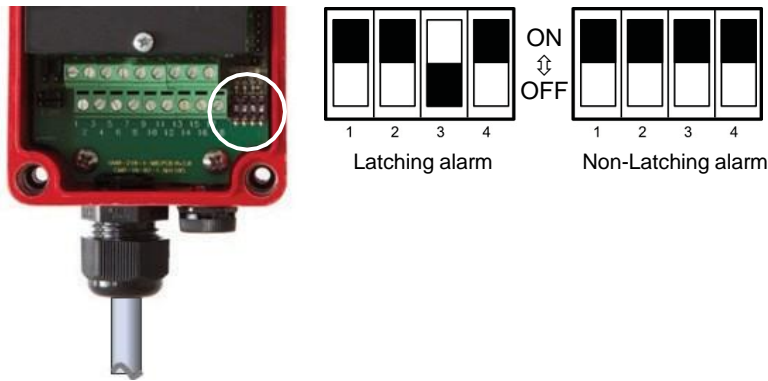


Figure 15. Latching Alarm Settings

COMMISSIONING

6 Commissioning and Testing

Notes:

1. Commissioning, maintenance and functional testing of Honeywell Fire Detection systems must only be carried out by qualified Honeywell approved persons or qualified persons trained in accordance with this manual.
2. All local laws and regulations for the commissioning and the cabling apply, including law and regulations for activating alarm systems, extinguishing systems and other outputs.
3. For hazardous area applications appropriate regulations shall be followed.
4. The IR sensors can become saturated if exposed to high ambient IR radiation, so ensure that the FSL100 detectors are shielded from potential sources such as boilers, radiators and IR lamps. The FSL100 detector returns to normal within 10 seconds once the IR source is removed.

6.1 Commissioning



Caution

Always ensure that relay operated outputs and alarms are inhibited or isolated before carrying out any work on Alarm systems.

Always ensure that Alarm Systems are returned to Normal Operation when work is completed.

Carry out the following steps before the flame detector is activated for the first time and in conjunction with the associated Controller or PLC's Technical Manual:

1. Satisfy yourself that the chosen FSL100 is the correct choice for this situation, location and controller.
2. Clean the FSL100 window using a microfiber glass cloth or optical wipe.
3. Check the terminals, seals and cable gland, and then close and secure the FSL100 housing.
4. Check position and alignment.
5. Check if there are potential false alarm sources in the field of view and shield if necessary.
6. Thoroughly tighten the cable gland and all fasteners.
7. Check the cabling in between the FSL100 and the controller.
8. Check the controller is electrically safe (isolator, protective earth (ground) etc.)
9. Check the cable screening is correctly bonded to the controller.
10. Check that armoured conduit is earthed (grounded) but isolated from the cable screen.
11. Test the manual self-test by shorting FSL100 terminals 1 & 14 for approximately 5 seconds.
12. Perform a functional test with the FSL100-TL or FSL100-TLX test lamp even if the manual test was ok.
13. If satisfied, and when all detectors are commissioned and tested, set the Controller or PLC to normal operation.

COMMISSIONING

6.2 Functional Testing



Caution

Always ensure that relay operated outputs and alarms are inhibited or isolated before carrying out any work on Alarm systems.

Always ensure that Alarm Systems are returned to Normal Operation when work is completed.

The FSL100 flame detector has been tested in the factory and shall be tested as part of installation and commissioning. In addition the flame detector should be functionally tested regularly (i.e. weekly) as part of a site fire alarm test. Check and clean the FSL100 window prior to testing. Contamination lowers the sensitivity of the flame detector and can build up over time if not monitored and cleaned regularly.

Honeywell supplies the FSL100-TL (safe area) and FSL100-TLX (hazardous area) test lamps for the FSL100 series of flame detectors. Please read the test lamp instructions in this manual before you start the functional test.



Warning

A user-defined performance requirement may stipulate that an actual (real) fire performance test is carried out from time-to-time. Ensure that a Safe System of Work is used to avoid the risk of death, injury or damage to property.

6.3 Fault Analysis

False alarms may be triggered by transient events or because:

1. The sensor is activated by a known or unknown source in its field of view.
2. The sensor is activated by electromagnetic interference.
3. The sensor is activated by cabling faults or damage (may be intermittent).
4. The sensor electronics are faulty.

A single false alarm should not cause undue concern, but a series of false alarms should be carefully investigated to rule out the causes listed above. You should also consider other factors such as season, weather, time of day, ambient temperature or humidity, angle of the sun, etc.

COMMISSIONING

6.4 Fault Testing



Caution

Always ensure that relay operated outputs and alarms are inhibited or isolated before carrying out any work on Alarm systems.

Always ensure that Alarm Systems are returned to Normal Operation when work is completed.

Refer to the manufacturer's instructions before carrying out any testing as some controllers require sensors to be decommissioned before removal or replacement.

1. Always follow a structured fault analysis and test regime.
2. Check the suspect FSL100 for signs of displacement, contamination, damage, loose or damaged cables, transient sources etc.
3. Cover the FSL100 optics to ensure that no light or other radiation can reach the sensor and wait 30 seconds for the sensor to return to normal. A continuing alarm state may be caused by the cabling or by the electronics. Ensure that the detector window is uncovered after this test.
4. Check off the items listed in the section on Commissioning.
5. Check the power supplies; cables, voltage, current, ripples on the voltage signal etc.
6. Replace the flame detector with a known serviceable spare and re-test.

COMMISSIONING

This page deliberately left blank.

OPERATION

7 FSL100 Operation

7.1 The Display LEDs

The FSL100 series flame detectors have 3 LEDs on the display:

- Steady green: powered up and in normal operation
- Steady yellow: fault (blinking yellow: repeated self-test after a self-test fault)
- Steady red: alarm

7.2 Normal Operation

The green LED is on when power is applied and the detector is in normal operation.

Fire Alarm

The green normal operation LED turns off and the red alarm LED turns on whenever the detector senses an alarm condition and (under default settings) the alarm will remain latched (held on) until the event is cleared and either the alarm is reset at the controller or the detector's power is cycled.

Alternatively, if the latch setting has been changed to 'unlatched' the detector will return to normal operation once the alarm trigger event has been removed.

Note: Optional alarm system relay outputs may be triggered during an alarm condition.

7.3 Fault Conditions

The yellow and green LEDs are illuminated when a fault condition occurs. The yellow LED turns off as soon as the fault is cleared.

The green and yellow LEDs turn off and the red LED turns on if an alarm occurs during a non-critical fault condition (i.e. during an IR or UV lamp test).

A blinking yellow LED shows that a self-test is in progress. The LED will become steady yellow if the FSL100 repeatedly fails self-test.

7.4 Relay Outputs

The flame detector has 2 relay outputs:

1. Alarm relay (SPDT) that can be used to operate an alarm or relay controlled event. It can be changed from Latching (default) to Unlatched. A latched alarm can be reset by using controller software or by cycling the detector power off and on.
2. Fault relay (SPDT). The fault relay is energized when the detector is powered up and will be de-energized in the event of a fault. The fault relay is non-latching.

7.5 Analogue Output 0–20 mA (Stepped, Sinking, Non-Isolated)

The analogue output has the following possible values:

- 0 mA power fault / microprocessor fault
- 2 mA optical fault
- 4 mA normal operation
- 20 mA Alarm

The output defaults to 20 mA if, during a fault, the FSL100 detects a fire.

7.6 Self-Testing

The FSL100 carries out a Power On Self Test (POST), and the 3 LEDs will flash sequentially until it is completed (10 Seconds) The LED sequence is replaced by a steady green LED If the detector passes the test.

While powered up, an optical self-test is periodically and automatically executed to monitor the electronics and the sensor(s). During this short test the yellow LED may flash and the FSL100 outputs are temporarily inhibited. The test may repeat several times if a sensor fails the optical self-test.

The yellow fault LED will be steady and the fault relay will de-energize if the fault condition remains after the repeated self-tests.

OPERATION

7.7 Manual Self-Test

The flame detector can test the sensor(s) and also the signal processing with help of the optional manual self-test circuit.

During a successful manual self-test the alarm relay is energized and the red alarm LED illuminates. If the detector is latched, the alarm continues until the detector is powered off.

For the manual self-test a switch can be mounted in the controller or connected externally to a +10 to +28 VDC supply. (See *Ch. 6.5 Connecting the Manual Self-Test.*)

During commissioning this option can be tested by shorting the FSL100 terminals 1 & 14 for 5 seconds maximum.



Caution

Always ensure that relay operated outputs and alarms are inhibited or isolated before carrying out any work on Alarm systems.

Always ensure that Alarm Systems are returned to Normal Operation when work is completed.

1. The manual self-test can be used during commissioning to test the detector without the necessity to use a flame detector test lamp.
2. The manual self-test is not a replacement for the functional test using a test lamp. After the commissioning is completed, the flame detectors must be functionally tested by means of a test lamp.

MAINTENANCE

8 Maintenance

Periodically inspect FSL100 and cabling for signs of physical damage. Do not use solvents or abrasive cleaners on the detector housing or optics. Clean only with microfiber cloths moistened with water, or use optical grade wipes.



Warning – Explosion Hazard

Rubbing the GRP housing or mounting may cause static discharges that can result in an explosion in a combustible atmosphere.

In hazardous areas use only a clean, damp cloth (moistened with water) to clean the mounting and detector.

FSL100 has no user serviceable parts. Honeywell Analytics recommends that the unit is checked and serviced annually by an approved Honeywell field technician.

Except for cleaning there is no specific preventive maintenance needed. Routine inspection of the following items is recommended as follows:

1. Check the position and the alignment of the flame detectors.
2. Check there are no potential false alarm sources in the field of view.
3. Check there are no obstacles which restrict the field of view.
4. Clean the detector window with a microfiber cloth (see above).
5. Ensure that the cover of the housing (with detector window) is mounted correctly on the housing. The sensors must be visible when you look through the detector window.
6. Check the cabling and conduits from the flame detectors to the controller for damage, insecurity, loose connections, especially at earth (ground) points.
7. Check the cover and the gland are secure and undamaged to protect the IP rating.
8. Check that all fasteners and the cable gland are tight and secure.
9. Perform a functional test with help of an FSL100-TL or FSL100-TLX test lamp.
10. Ensure that once a year the inner side of the detector window is cleaned (i.e. during a field service technician's annual inspection).

Note:

1. The user is responsible for keeping the equipment in optimal condition. Contact Honeywell Analytics Technical Support if you have any concerns about the serviceability or operation of the FSL100 Flame detectors, or if you need help with this manual.
2. Do not use a liquid cleaning agent for cleaning the flame detector.
3. Your local Honeywell representative or distributor will be happy to advise you about keeping replacement Flame Detectors or Test Lamps.

MAINTENANCE

This page deliberately left blank.

ACCESSORIES

9 FSL100-SM21 Swivel Mount

The optional swivel mount is a convenient mounting device for fixing the FSL100 series of flame detectors to a variety of surfaces or poles. The two axis swivel enables you to accurately align the detector's field of view to the area of fire risk, or you can use it to increase the detector's stand-off from the mounting surface (i.e. for cooling and ventilation).

The FSL100-SM21 swivel mount is suitable for Hazardous Area applications, but see the Warning below.

Warning – Explosion Hazard

Rubbing the GRP housing or mounting may cause static discharges that can cause an explosion in a combustible atmosphere.

Use only a clean, damp cloth (moistened with water) to clean the mounting and detector.



9.1 How to Install the Detector Using the Swivel Mounting

Installation should be carried out by qualified persons only, and in conjunction with the instructions in this handbook.

Tools required:

- 13 mm wrench
- 7 mm wrench
- #7 screwdriver



Figure 16. Swivel Mounting Fitment (Optional)

1. Unbolt either of the two swivel joints to make it easier to fix the detector to the mounting plate later on.
2. Mount the wall plate to a vibration free wall, ceiling or pole using 4 suitable fixings (not supplied).
3. Carefully undo the four plastic screws at the corners of the detector cover plate, and gently separate the cover from the body. Be careful not to touch or damage the electronics inside.
4. Locate and remove the four steel bolts shown in the figure above. Use these bolts to secure the detector body to the swivel mounting plate, ensuring that the screw heads are fully seated in the body recesses, that the swivel hub is closest to the cable gland, and that the cable gland will point downwards when fully assembled.
5. Reconnect the swivel joint and tighten the bolt finger tight.
6. Connect the power/signal cable (see Wiring to a Controller (General)) and tighten the cable gland.
7. Place the cover of the detector on the housing and carefully tighten the four red plastic screws to 2 Nm (1.5 ft/lb) torque.
Note: The sensors should be clearly visible through the detector window.
8. Adjust the detector to the correct orientation and fully tighten the two swivel bolts.
9. Check that all is secure and correctly fitted, and then test (with a Honeywell approved test lamp) to ensure that the operation is correct.

ACCESSORIES

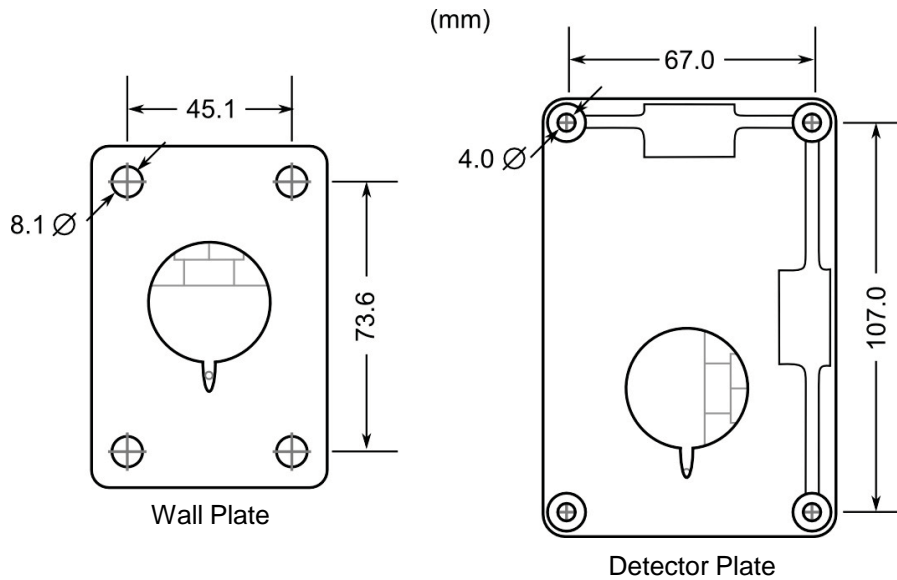


Figure 17. SM21 Swivel Mount Attachment Plate Dimensions

9.2 Cleaning

Only experience of the operating environment will dictate how often you clean your detectors and mountings, but you should remove contamination by wiping the mounting, detector and detector window regularly with a lightly dampened micro-fibre cloth.

Do not use dry cloth or dry paper in flammable atmospheres as this may cause static discharge that may result in an explosion. Remember that airborne dusts can be more hazardous than flammable vapours.

Used cleaning cloths may be hazardous to health, so launder them carefully or dispose of them as hazardous waste.

ACCESSORIES

10 FSL100-TL Test Lamp Non-EX

The FSL100-TL (test lamp) is a rechargeable, hand-held IR and UV radiation source that is specifically designed to test Honeywell FSL100 series flame detectors used in **safe areas only**. The detection range is approximately 4 meters (13 ft).

It is supplied in a custom carry case with a dedicated charging unit suitable for mains connection.



Warning – Safe Areas Only

The FSL100-TL test lamp is only compatible with the Honeywell Analytics FSL100 series flame detectors used in safe areas. The test lamp is not approved for use with any other types of detector or location.

Always ensure that relay operated systems (drenchers, alarms, etc.) are inhibited or disabled before operating this test lamp in the vicinity of any flame detector.

Always ensure that Alarm Systems are returned to Normal Operation when work is completed.

10.1 Safety Instructions

Read this manual carefully and study the warnings and cautions before using this equipment.

1. This test lamp is only suitable for testing Honeywell FSL100 series flame detectors in safe areas.
2. Do not use the test lamp in wet conditions.
3. Ensure testing of the flame detectors does not activate unwanted alarm signals.
4. Press the trigger to switch on, release it to switch off.
5. Batteries may be damaged if you use the test lamp continuously for longer than 10 minutes.
6. The grid may become hot during use. Be careful not to allow contact with skin or flammable objects.
7. Do not touch or remove the protective grid or stick fingers or objects through it.
8. Do not point directly at eyes from a short distance. Do not look directly into the light.
9. Store the test lamp in its box in a clean and dry location. A dirty reflector will reduce the test range.
10. Do not incinerate or mistreat the lamp or battery as the battery could leak or explode.
11. The test lamp should not be used when damaged. If a fault does occur, do not open the lamp other than to change the battery. Return faulty lamps to Honeywell Analytics for repair.
12. Keep the test lamp and batteries away from children. Dispose of items in accordance with the WEEE directive.



Figure 18. FSL100-TL Test Lamp Kit

ACCESSORIES



Caution – WEEE Directive

According to local laws and regulations batteries should be disposed of separately from household waste. Take them to a collection point designated by local authorities when they are no longer needed.

10.2 Before First Use

The battery is fully charged when leaving the factory, but it should be fitted to the lamp and recharged prior to use.

1. Remove the battery compartment cover (on the top of the test lamp).
2. Fit the battery so that its terminals are making contact with the lamp terminals.
3. Refit the battery cover.
4. Attach the charging unit and charge the battery for $\cong 4$ hours (6 hours max.).
5. The red LED should be lit during charging, although it may not come on straight away if the battery is completely discharged.



10.3 Test Lamp Operation



Caution

Test outputs will be generated and relays will be activated during Cause and Effect Testing. Ensure that relay activated output systems (i.e. emergency deluge / sirens etc.) are inhibited or isolated before starting the test.

Ensure that the system is returned to normal operation once testing is complete

This is usually a two-person operation; one at the detector and one at the controller. In addition you may need additional fire-watchers while the alarms are inhibited.

1. Inhibit or isolate all affected relay outputs before beginning the test.
2. Aim the test lamp at the flame detector from a distance of $\cong 4$ m (13 ft).
3. Operate the test lamp for $\cong 30$ seconds and check that the alarm operated correctly. Do not use the test lamp for longer than 1 minute continuously
4. Reset the alarm and test the next detector, waiting at least 30 seconds between tests to allow the lamp to cool down.

10.4 Battery Charging and Storage:

1. The red LED should be lit during charging, although it may not come on immediately if the battery is fully discharged.
2. Attach the charging unit to the lamp and charge the battery for $\cong 4$ hours (6 hours max.).
3. Recharge the battery after prolonged use.
4. Recharge batteries every 3 months when in storage. Failing to do so will reduce battery life.
5. Store the test lamp and batteries in a cool, dry, ventilated place.
6. Do not allow the storage temperature to fall below 4°C as this will reduce battery life.

ACCESSORIES

10.5 Bulb Replacement

In the event of a bulb failure, you may replace the bulb with Honeywell part number FSL100-TLBU only. However, Honeywell recommend that this is only carried out by competent personnel, or that the Test Lamp is returned to Honeywell for repair.



Caution

Do not touch the replacement bulb with bare skin as this will deposit contaminants that will lead to premature failure of the bulb.

1. Remove the battery cover and then remove the battery (Step 1).
2. Remove the protective ring from the front of the test lamp (Step 2).
3. Vertically cut the label on the rear seam (Step 3).
4. Remove qty. 5 screws (Step 4).
5. Carefully separate the two casing halves.
6. Hold the reflector in place and remove the bulb clip by squeezing the legs (Step 7).
7. Remove the bulb from the reflector and disconnect the lead from the connector.
8. Connect the new bulb lead to the connector.
9. Insert the bulb into the reflector.
10. Place the bulb clip over the bulb and lock it in into the bushing.
11. Reassemble the two casing halves and refit the 5 screws.
12. Refit the battery and battery cover.
13. Test the lamp.
14. Refit the protective ring.

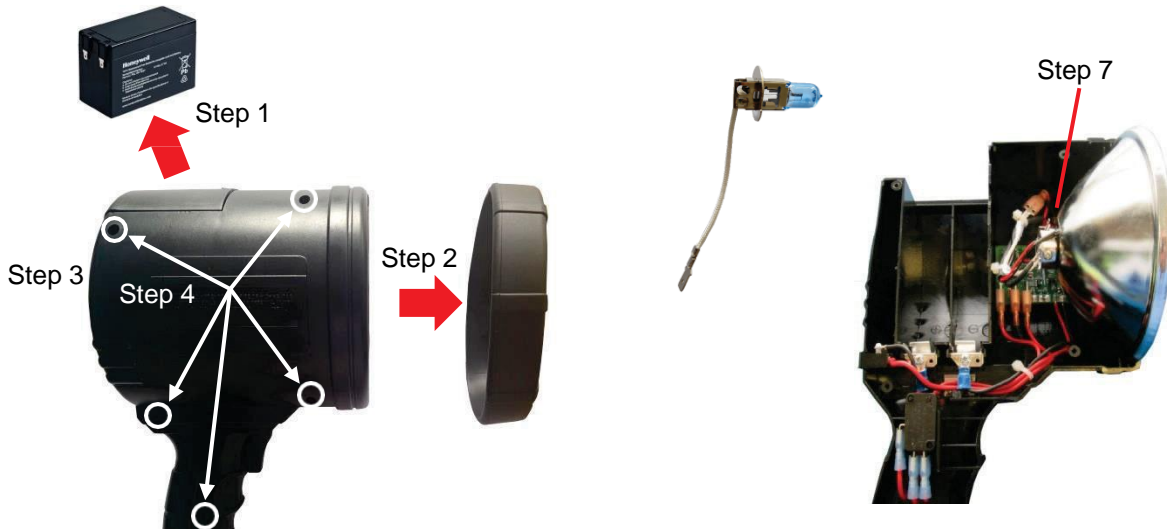


Figure 19. FSL100-TL Bulb Replacement Exploded View

ACCESSORIES

This page deliberately left blank.

ACCESSORIES

This page deliberately left blank.

ACCESSORIES

11 FSL100-TLX Test Lamp Hazardous Areas

The FSL100-TLX (test lamp) is an Intrinsically Safe (IS), battery operated, hand-held IR and UV radiation source that is specifically designed to test Honeywell FSL100 series flame detectors in both safe and hazardous areas. The detection range is approximately 4 meters (13 ft).



Figure 20. FSL100-TLX Test Lamp

11.1 Safety Instructions

1. Suitable for use in safe areas and IECEx zone 1, but only when properly assembled and in serviceable condition.
2. This unit is intrinsically safe only while all covers and components are in place. Do not assemble, disassemble, remove covers or replace batteries other than in a known safe area.
3. The test lamp is only approved for testing Honeywell FSL100 flame detectors.
4. Do not use the test lamp in wet conditions.
5. The lamp does not contain any user replaceable parts other than the batteries. In the event of faults contact Honeywell Analytics Technical Support for help.
6. It is advisable to remove the batteries if storing the test lamp for any period of time. Battery leakage could damage the equipment.
7. Keep the test lamp and batteries away from children. Dispose of items in accordance with the WEEE directive.
8. Do not mistreat or incinerate. The batteries could explode if exposed to intense heat.



Caution – WEEE Directive

According to local laws and regulations batteries should be disposed of separately from household waste. Take them to a collection point designated by local authorities when they are no longer needed.

ACCESSORIES

11.2 Before First Use

Perform the following actions in a known safe area:

1. Remove the two screws securing the battery compartment cover.
2. Remove the battery cover.
3. Place the four supplied AA batteries correctly in the battery compartment.
4. Replace the battery compartment lid and secure with the 2 screws. Do not overtighten.
5. Place the test lamp in its protective case with the shoulder strap in its correct position.

11.3 Operation

Caution

Test outputs will be generated and relays will be activated during Cause and Effect Testing. Ensure that relay activated output systems (i.e. emergency deluge / sirens etc.) are inhibited or isolated before starting the test.

Ensure that the system is returned to normal operation once testing is complete.

This is usually a two-person operation; one at the detector and one at the controller. In addition you may need additional fire-watchers while the alarms are inhibited.

1. Inhibit or isolate all affected relay outputs before beginning the test.
2. The test lamp will turn on/off by pushing/releasing the pushbutton.
3. Aim the test lamp at the flame detector from a distance of $\cong 4$ m (13 ft).
4. Operate the test lamp for $\cong 30$ seconds and check that the alarm operated correctly. Do not use the test lamp for longer than 1 minute continuously.
5. Reset the alarm and test the next detector.

11.4 Battery Replacement

Replacement non-rechargeable 1.5 VDC AA Alkaline batteries can be purchased locally.

1. Remove the two screws securing the battery compartment cover.
2. Remove the battery cover.
3. Place the four AA batteries correctly in the battery compartment.
4. Replace the battery compartment lid and secure with the 2 screws. Do not overtighten.
5. Place the test lamp in its protective case with the shoulder strap in its correct position.

Caution – WEEE Directive

According to local laws and regulations batteries should be disposed of separately from household waste. Take them to a collection point designated by local authorities when they are no longer needed.



SPECIFICATIONS

12 FSL100 Specifications

FSL100 General Specifications	
Power	DC 12–24 V (10–28 VDC)
Current Normal	25 mA at 24 VDC
Current In Alarm	+/- 75 mA at 24 VDC
Start Up Time	<10 sec
Alarm Output Setting	Selectable LEDs and relays latching/non latching, factory setting: latching
Connects to	<ul style="list-style-type: none"> - a fire control panel by means of end of line (EOL) and alarm resistor (current increase) - a device that can take relay outputs - a PLC with a 0–20 mA input
End Of Line And Alarm Resistor	<p>To match the fire control panel, free terminals dedicated for the resistors are available</p> <p>Note: the alarm and EOL resistors must be rated 2 W minimum each and the total power dissipation of both alarm and EOL resistors should not exceed 2 W</p>
Local LEDs	<ul style="list-style-type: none"> ● continuous green: normal operation ● continuous yellow: fault (blinking yellow: repeated self-test after a self-test fault) ● continuous red: alarm
Alarm Relay	De-energized during normal operation, no alarm, SPDT, 30 VDC – 2 A, 60 W max.
Fault Relay	Energized during normal operation, no fault, SPDT, 30 VDC – 2 A, 60 W max.
Current Output	<p>Standard available 0-20 mA (stepped, sinking, non-isolated) 0 mA power fault / microprocessor fault</p> <p>2 mA optical fault</p> <p>4 mA normal operation</p> <p>20 mA Alarm</p>
Maximum Range (IR) (to alarm <10 s for a 0.1 m ² n-heptane fire)	35 m/115 ft. (FSL100-IR3)
Maximum Range (UV and UVIR) (to alarm <10 s for a 0.09 m ² n-heptane fire)	23 m/75 ft. (FSL100-UV and FSL100-UVIR)
Alarm Response Time	8 to 30 s.

table continued...

SPECIFICATIONS

FSL100 General Specifications	
Cone Of Vision	90°
Ingress Protection	IP65
Temperature, Operating, ATEX/IECEX/FM	-25 °C to +70 °C (-13 °F to +158 °F)
Temperature, Operating, Safe Areas	-40 °C to +70 °C (-40 °F to +158 °F)
Temperature, Storage	-40 °C to +70 °C (-40 °F to +158 °F)
Humidity Range	0 – 95 %RH, non-condensing
Automatic and Manual Self-Test	Automatic Sensor Test (Built in Self-Test) and manual self-test
Detector Body	GRP, Non-Incendive. UV resistant, Self-Extinguishing V-0 (UL-94).
Swivel Mounting	PA66 (UV Resist.), 316 SS (Fixings)
Dimensions (Body only)	125 x 80 x 57 mm (4.9 x 3.15 x 2.25 inch)
Weight	465 gram (1.05 lb) 745 g (1.67 lb) with optional mounting
Cable Gland	cores 0.5 to 1.5 mm ² (20 to 16 AWG)
Pressure Compensating Element	The Pressure Compensating Element (PCE) helps prevent moisture build up inside the detector housing caused by ambient fluctuation
Terminals	Suitable for cores 0.5 to 1.5 mm ² (20 to 16 AWG), tightening torque 0.4 Nm (0.3 ft/lb)
EN54-10 Certificate	FSL100-IR3 Flame Detector: Class 1 FSL100-UV Flame Detector: Class 2 FSL100-UVIR Flame Detector: Class 2
ATEX Certificate	FSL100-IR3 Flame Detector: ATEX zone 2/22 FSL100-UV Flame Detector: ATEX zone 2/22 FSL100-UVIR Flame Detector: ATEX zone 2/22
FM3260 Approval	FSL100-IR3 Flame Detector FSL100-UV Flame Detector FSL100-UVIR Flame Detector
FM3611 Approval	FSL100-IR3 Flame Detector: Non-Incendive, Class 1,2 & 3 Div 2 FSL100-UV Flame Detector: Non-Incendive, Class 1,2 & 3 Div 2 FSL100-UVIR Flame Detector: Non-Incendive, Class 1,2 & 3 Div 2
RoHS	FLS100 Series is RoHS compliant

Table 3. FSL100 General Specifications

SPECIFICATIONS

13 Accessory Specifications

FSL100-TL Safe Area Test Lamp Specifications	
Lamp Housing	ABS (plastic) black
Ingress Protection rating	IP30 / NEMA 1
Adapter (charger)	100-240 Vac, 500 mA switching with plugs for US, EU, GB and AU
Battery	12 VDC / 2.8 Ah Sealed Lead Acid Battery
Lamp	H3, 12 VDC / 100 W
Temperature range	+4 to +40 °C (+39 to +104 °F)
Continuous Operation (Max)	10-15 minutes under optimal conditions
Operational range	Up to 4 m (13 ft)
Country of Origin/Intrastatistic Number	EU, 8531 10 30
Shipping dimensions (Lamp box)	310 x 220 x 210 mm (12.725 x 9 x 8.725 ins)
Shipping weight (Lamp)	2.1 kg (4.62 lbs)
Carrying case	Case: polypropylene, Inlay: polyurethane
Shipping dimensions (box)	440 x 340 x 280 mm (17.375 x 13.375 x 11 ins)
Shipping weight incl. test lamp	5 kg (11.1 lbs)
FSL100-TL Battery Specifications	
Replacement Part No.	FSL100-TLBT
Battery Type	Rechargeable Sealed Lead-Acid Battery
Battery Voltage And Capacity	12 VDC / 2.7 Ah
Terminal Type	Spade
Dimensions	103 x 70 x 46 mm
FSL100-TLX Hazardous Area Test Lamp Specifications	
Housing	Aluminium
Ingress Protection Rating	IP66
Power (Batteries)	6 VDC Nominal (4 X 1.5 VDC AA Alkaline Battery)
Operational Range	Up To 4 M (13 Ft)
Working Temperature Range	-25 To +50 °C (-13 to +122 °F)
Storage Temperature Range	-40 To + 80 °C
Country Of Origin/Intrastatistic Number	EU, 8531 10 30
Shipping Dimensions (Box)	32 X 30 X 13 cm (13 X 11 X 5 in.)
Shipping Weight	3 kg (7 lbs.)
IECEX Certificate	IECEX Zone 1
FSL100-SM21 Swivel Mount	
Material Swivel / Bolts and Nuts	PA66 / 316 SS
Weight	280 grams (0.62 lbs)

Table 4. Accessory Specifications

SPECIFICATIONS

This page deliberately left blank.

CERTIFICATION

14 FSL100 Certifications

14.1 EC Declaration of Conformity

A full EC declaration of conformity is available on either original hardcopy or electronic file (Honeywell Analytics website). This document lists the European Standards with which FSL100 Series flame detectors comply.

14.2 National and International Certificates of Compliance

The FSL100 series of Flame Detectors holds the following National and International Certificates and Certification Codes:

Title	Standards	Certificates
ATEX	DEKRA Certification B.V.	DEKRA15ATEX0105X
IECEX	DEKRA Certification B.V.	IECEX DEK 15.0070X
FM	FM Approvals	Check www.approvalguide.com
CPR	SKG-IKOB Certificatie B.V.	0960-CPR-SKGIKOB.009676

Copies of the certificates are available on request.

Note 1: OEMs are responsible for ensuring that their systems are certified in accordance with these tables and any 3rd-party requirements.

14.3 Rating Labels

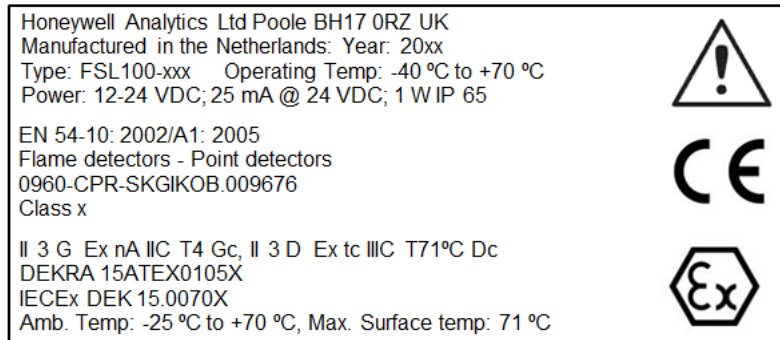


Figure 22. EN54-10/ATEX/IECx Label

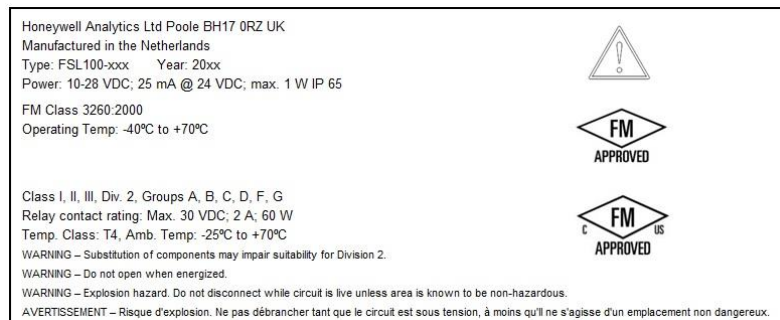


Figure 23. FM Label

CERTIFICATION

14.4 North American approvals – cFMus class 3611 & FM class 3260

All drawings and other details are listed in the “Document List FSL100-series flame detector”.

FM approvals for the:

FSL100-UV UV Flame Detector
FSL100-UVIR UVIR Flame Detector
FSL100-IR3 IR3 Flame Detector



Nonincendive per FM class 3611: Class I, II, III, Div. 2, Groups A, B, C, D, F, G
Nonincendive per C22.2 No. 213: Class I, Div. 2, Groups A, B, C, D
Dust-tight per C22.2 No. 25: Class II, III, Div. 2, Groups F, G

Ambient temperature : -25°C to +70°C
Temperature Code: T4 at Ta < +70°C
Ingress Protection: IP65

Warnings:

1. The power supply of the flame detector must comply with NEC class 2, as described by the National Electrical Code (ANSI / NFPA 70).
2. Cable used with the flame detector must be PLTC or ITC type as described by the National Electrical Code (ANSI / NFPA 70); twisted shielded pairs.
3. When cleaning the swivel mount SM21, exclusively use a damp micro fiber cloth to avoid the mount from getting static.
4. The screws of the housing lid should be tightened with a torque of 2 Nm.
5. The screws of the wire terminals should be tightened with a torque of 0.4 Nm.
6. The alarm- and EOL resistor must be rated 2 W minimum each and the total power dissipation of both alarm- and EOL resistor should not exceed 2 W.
7. Substitution of components may impair suitability for division 2.
8. Do not open when energized.
9. Explosion hazard. Do not remove or replace while circuit is powered or when a flammable or combustible atmosphere is present.
10. Explosion hazard. Do not disconnect equipment when a flammable or combustible atmosphere is present.
11. Explosion hazard. Do not disconnect while circuit is powered unless the area is known to be non-hazardous.

-For language translation assistance, contact your local representative, or email: gasdetection@honeywell.com

-Pour la langue de traduction aide, contactez votre représentant local ou envoyez, un e-mail: gasdetection@honeywell.com

Avertissement:

Risque d'explosion. Ne pas débrancher tant que le circuit est sous tension, à moins qu'il ne s'agisse d'un emplacement non dangereux.

CERTIFICATION



Performance per FM class 3260:2000

Operating temperature : -40 °C to +70 °C

Response characteristics

Fuel	FSL100-UV	FSL100-UVIR	FSL100-IR3	time
n-Heptane 30 x 30 cm (1 sqft)	23 m (75 ft)	23 m (75 ft)	35 m (115 ft)	within 10 sec.
Alcohol (Ethanol) 50 x 50 cm (20 inch by 20 inch)	18.3 m (60 ft)	18.3 m (60 ft)	30 m (98 ft)	within 10 sec.
Methane plume 35 cm (1.1 ft) 1 Bar (15 psi) 5 cm (2") diam.	8 m (26 ft)	2 m (6.5 ft)	4 m (13 ft)	within 10 sec.
Propane plume 40 cm (1.3 ft) 0.5 Bar (7 psi) 1 cm (0.4") diam.	8 m (26 ft)	2 m (6.5 ft)	4 m (13 ft)	within 10 sec.

Unwanted alarm immunity

Source	FSL100-UV	FSL100-UVIR	FSL100-IR3
Sunlight, direct, reflected, unmodulated	no alarm	no alarm	no alarm
Sunlight, direct, reflected, modulated	no alarm	no alarm	no alarm
Shielded Quartz Halogen lamp 500 W unmodulated @ 2 m (7 ft)	no alarm	no alarm	no alarm
Shielded Quartz Halogen lamp 500 W modulated @ 2 m (7 ft)	no alarm	no alarm	no alarm
Shielded Fluorescent lamp 20 W unmodulated @ 2 m (7 ft)	no alarm	no alarm	no alarm
Shielded Fluorescent lamp 20 W modulated @ 2 m (7 ft)	no alarm	no alarm	no alarm
Electric Heater with fan 3000 W unmodulated @ 2 m (7 ft)	no alarm	no alarm	no alarm
Electric Heater with fan 3000 W modulated @ 2 m (7 ft)	no alarm	no alarm	no alarm
Arc welding	alarm	no alarm 4 m (13 ft)	no alarm 3 m (10 ft)

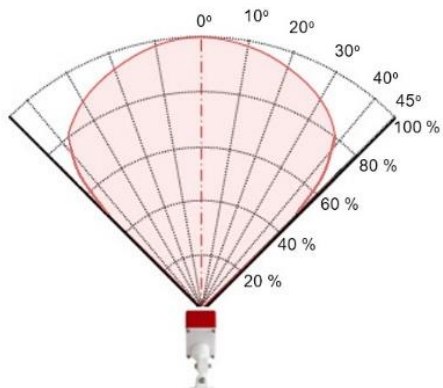
Response characteristics in the presence of unwanted alarm sources

Source	Fire	FSL100-UV	FSL100-UVIR	FSL100-IR3
Sunlight, direct, reflected, unmodulated	6" Propane @ 2 m (7 ft)	alarm within 10 s	alarm within 10 s	alarm within 10 s
Sunlight, direct, reflected, modulated	6" Propane @ 2 m (7 ft)	alarm within 10 s	alarm within 10 s	alarm within 10 s
Shielded Quartz Halogen lamp 500 W unmodulated @ 2 m (7 ft)	n-Heptane 1 sqft @ 10 m (33 ft)	alarm within 10 s	alarm within 10 s	alarm within 10 s
Shielded Quartz Halogen lamp 500 W modulated @ 2 m (7 ft)	n-Heptane 1 sqft @ 10 m (33 ft)	alarm within 10 s	alarm within 10 s	alarm within 10 s
Shielded Fluorescent lamp 20 W unmodulated @ 2 m (7 ft)	n-Heptane 1 sqft @ 10 m (33 ft)	alarm within 10 s	alarm within 10 s	alarm within 10 s
Shielded Fluorescent lamp 20 W modulated @ 2 m (7 ft)	n-Heptane 1 sqft @ 10 m (33 ft)	alarm within 10 s	alarm within 10 s	alarm within 10 s
Electric Heater with fan 3000 W unmodulated @ 2 m (7 ft)	n-Heptane 1 sqft @ 10 m (33 ft)	alarm within 10 s	alarm within 10 s	alarm within 10 s
Electric Heater with fan 3000 W modulated @ 2 m (7 ft)	n-Heptane 1 sqft @ 10 m (33 ft)	alarm within 10 s	alarm within 10 s	alarm within 10 s
Arc welding @ 4 m (13 ft)	n-Heptane 1 sqft @ 10 m (33 ft)	alarm within 10 s	alarm within 10 s	alarm within 10 s

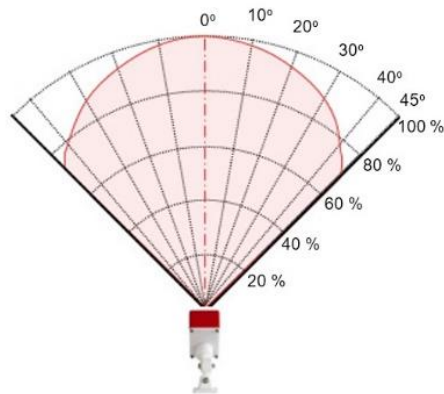
Field of view

Fuel		FSL100-UV	FSL100-UVIR	FSL100-IR3
n-Heptane	horizontal and vertical: 90°	at least 70% at +45° or -45°	at least 70% at +45° or -45°	at least 50% at +45° or -45°
Alcohol (Ethanol)	horizontal and vertical: 90°	at least 70% at +45° or -45°	at least 70% at +45° or -45°	at least 50% at +45° or -45°
Methane	horizontal and vertical: 90°	at least 70% at +45° or -45°	at least 70% at +45° or -45°	at least 70% at +45° or -45°
Propane	horizontal and vertical: 90°	at least 70% at +45° or -45°	at least 70% at +45° or -45°	at least 70% at +45° or -45°

Field of view: <90°, 50% @ 45°



Field of view: <90°, 70% @ 45°



CERTIFICATION

ORDERING

15 Ordering Information

Part Number	Description
FSL100-UV	UV flame detector suitable for: <ul style="list-style-type: none">• ATEX Zone 2/22• FM 3611 Class 1, 2 and 3, Div 2• EN54-10 certificate• FM3260 approval
FSL100-UV-W	Same specification as UV; white body
FSL100-UVIR	UVIR flame detector suitable for: <ul style="list-style-type: none">• ATEX zone 2/22• FM3611 Class 1, 2 and 3, Div 2• EN54-10 certificate• FM3260 approval
FSL100-UVIR-W	Same specification as UVIR; white body
FSL100-IR3	Triple IR flame detector suitable for: <ul style="list-style-type: none">• ATEX zone 2/22• FM3611 Class 1, 2 and 3, Div 2• EN54-10 certificate• FM3260 approval
FSL100-IR3-W	Same specification as IR3; white body
FSL100-SM21	Swivel mount (Optional)
FSL100-TL	FSL100 test lamp, incl. universal charger and carrying case; safe areas only
FSL100-TLX	FSL100 test lamp, incl. carrying case; intrinsically safe, hazardous areas
FSL100-TLBT	Spare battery for the FSL100-TL test lamp
FSL100-TLBU	Spare light bulb for test lamps
FSL100-TLCH	Universal charger 100-240 Vac with 4 plugs for AU, EU, GB and USA

Table 6. Ordering Information

Additional copies of this manual, in English and various other languages, may be downloaded from our website. Navigate to www.honeywellanalytics.com, select Technical Services & Support, and then select Technical Library.

ORDERING

This page deliberately left blank.

RETURNS

16 Returns and Repairs Policy

Please contact Honeywell Analytics Technical Support if you want to make a claim under the warranty terms, or if you want to arrange a test, repair or replacement outside of warranty, or if you want to return any unused item. Contact details are on the back page of this handbook.

Note: The flame detectors and test lamps do not contain parts that are suitable for a local or field repair.

RETURNS

This page deliberately left blank.

FIGURES

17 List of Figures

Figure 1.	Comparison of Visible Radiation Range to UV/IR Radiation Range	7
Figure 2.	Mounting Hole Dimensions	9
Figure 3.	Cone of View	10
Figure 4.	Shadow Effect	10
Figure 6.	Shadow Cancelling	11
Figure 7.	Mounting Clearance	11
Figure 8.	Voting Arrangement Using Four Detectors	12
Figure 9.	FSL100 Wiring Diagram (Power On – Normal)	16
Figure 10.	FSL100 Cable Gland with and without Cable Entry Insert	17
Figure 11.	FSL100 to Controller Wiring	18
Figure 12.	Wiring to a PLC	19
Figure 13.	Wiring to a 0-20 mA Non-Isolated (Sourcing) Current Output	19
Figure 14.	Manual Self-Test Switch Locations	20
Figure 15.	Latching Alarm Settings	20
Figure 16.	Swivel Mounting Fitment (Optional)	29
Figure 17.	SM21 Swivel Mount Attachment Plate Dimensions	30
Figure 18.	FSL100-TL Test Lamp Kit	31
Figure 19.	FSL100-TL Bulb Replacement Exploded View	33
Figure 20.	FSL100-TLX Test Lamp	35
Figure 21.	ATEX Label	41
Figure 22.	EN54-10/ATEX/IECx Label	41
Figure 23.	FM Label	41

FIGURES

This page deliberately left blank.

TABLES

18 List of Tables

Table 1.	FSL100 Cable Data	15
Table 2.	FSL100 Terminal Allocation	16
Table 3.	Accessory Specifications	39
Table 4.	Ordering Information	43

Find out more at

www.honeywellanalytics.com

Contact Honeywell Analytics:

Europe, Middle East, Africa, India

Life Safety Distribution GmbH

Javastrasse 2

8604 Hegnau

Switzerland

Tel: +41 (0)44 943 4300

Fax: +41 (0)44 943 4398

gasdetection@honeywell.com

Customer Service:

Tel: 00800 333 222 44 (Freephone number)

Tel: +41 44 943 4380 (Alternative number)

Fax: 00800 333 222 55

Middle East Tel: +971 4 450 5800 (Fixed GasDetection)

Middle East Tel: +971 4 450 5852 (Portable GasDetection)

Americas

Honeywell Analytics Inc.

405 Barclay Boulevard

Lincolnshire, Illinois 60069

USA

Tel: +1 847 955 8200

Toll free: +1 800 538 0363

Fax: +1 847 955 8210

detectgas@honeywell.com

www.honeywell.com

Asia Pacific

Honeywell Industrial Safety

7F SangAm IT Tower

434 Worldcup Buk-ro, Mapo-gu

Seoul 03922

Korea

Tel: +82 2 6909 0300

VOIP: +8 5401 0321

Fax: +82 2 6909 0329

India Tel: +91 124 4752700

analytics.ap@honeywell.com

Technical Services

EMEA: HAexpert@honeywell.com

US: ha.us.service@honeywell.com

AP: ha.ap.service@honeywell.com

www.honeywell.com

Please Note:

While every effort has been made to ensure accuracy in this publication, no responsibility can be accepted for errors or omissions. Data may change, as well as legislation and you are strongly advised to obtain copies of the most recently issued regulations, standards and guidelines. This publication is not intended to form the basis of a contract

Honeywell