

Miller RA30-1 Reusable Roof Anchor

Description

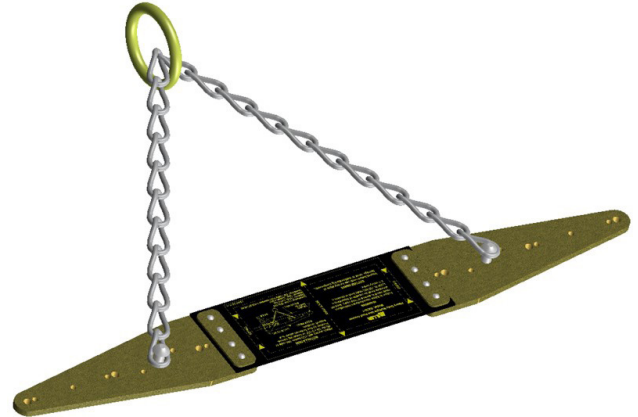
The RA30 Reusable Roof Anchor is used to provide temporary, reusable roof anchorage for residential and construction applications. The RA30 comes complete with twelve (12) 16d steel nails and six (6) 1/4" X 2 1/2" lag screws. (Either the 12 nails or the 6 screws must be used for installation.)

Note: Use nails in smaller diameter holes.

The RA30 can be bent over the peak of the trusses and nailed or screwed to the truss members. The truss members used should be capable of supporting a 5,000 lb. load or meet the requirements of OSHA 1926.502 – 2:1 safety factor.

Materials

Anchor Plates:	1/4" thick, laser-cut, yellow-zinc plated steel
Anchor Pins:	Yellow-zinc plated steel
O-Ring:	3" O.D. Forged zinc plated steel
Belting:	3-ply nylon
Chain:	22-link (21") zinc plated steel
Nails:	16d steel (includes 12)
Rivets:	Copper
Lag Screws:	1/4" X 2 1/2" steel (includes 6)

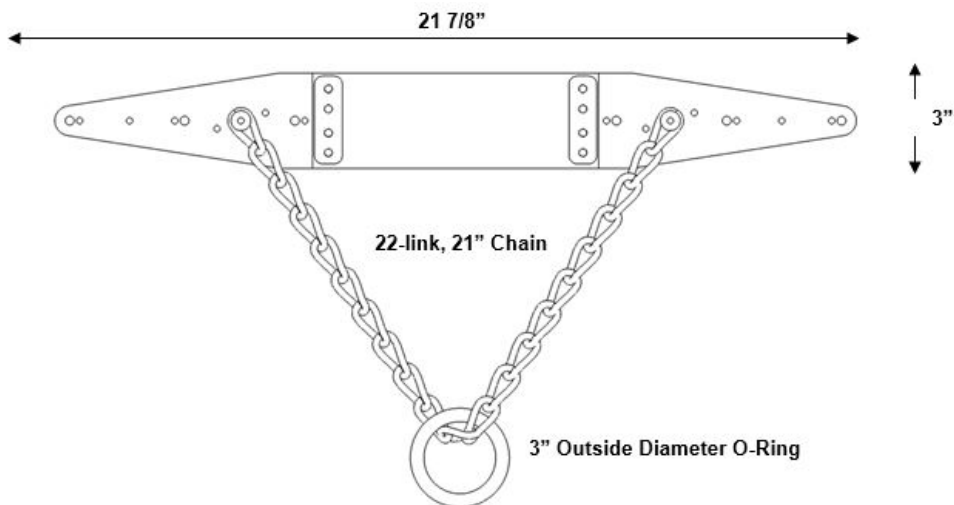


Technical

Weight:	4 lbs. (1.81 kg)
Max. Working Load:	310 lbs (140.62 kg)
Tensile Strength:	5,000 lbs (22kN)

Certification

Meets OSHA 1926.502 requirements



Limitless Possibilities. Ask the Expert.

Technical Service: 800.873.5242
www.millerfallprotection.com

Honeywell Industrial Safety

900 Douglas Pike
Smithfield, RI 02917

USA

Phone: 800.430.5490
Fax: 800.322.1330

Canada

Phone: 888.212.7233
Fax: 888.667.8477

! This equipment should only be used after reading and understanding the manufacturer's instructions. Failure to follow instructions could result in serious injury or fatality.