

Miller RA 15-1 Reusable Roof Anchor

Description

The RA15-1 Reusable Roof Anchor is used to provide temporary, reusable roof anchorage for residential and construction applications. The RA15-1 comes complete with ten (10) reusable anchors, D-rings and screws.

The RA15-1 is approved for use on both wood and metal roofing. Different screws are required.

Materials

Anchor: 14 gauge steel
D-Ring*: Clear Chromate Finished Carbon;
*Meets ASTM fifty-hour salt spray test requirements.

Roofing

Screws: #12 2-½ in. pan head sheet metal screws

Metal Roofing

Screws*: #12 2-½ in. TEK self-tapping screws

*Sheet metal must be a minimum of 20 gauge (0.036-in.) thickness and each TEK screw must completely go into a structural member (e.g. purlins of Z bar or C bar).

Requirements

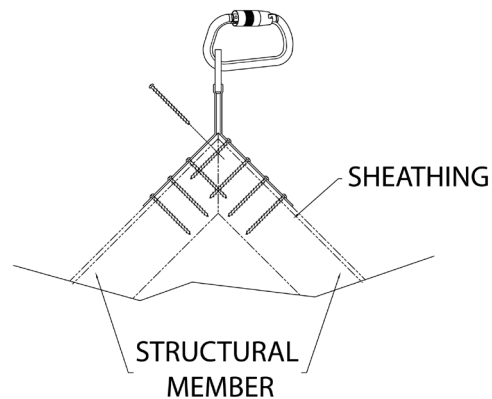
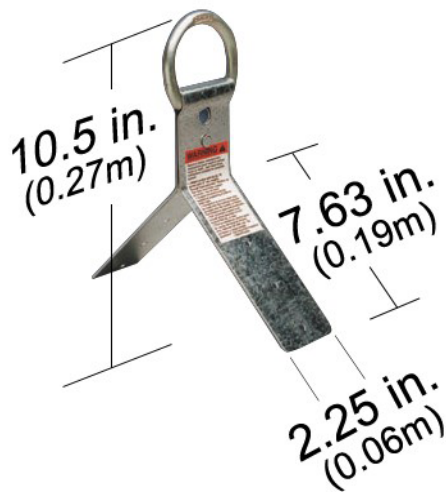
1. RA15-1 roof brackets must be used only with Miller approved components that limit the fall arresting forces to 900 lbs. or less.
2. Support structure at anchor site must be capable of supporting a 5,000 lb. static load.

Technical

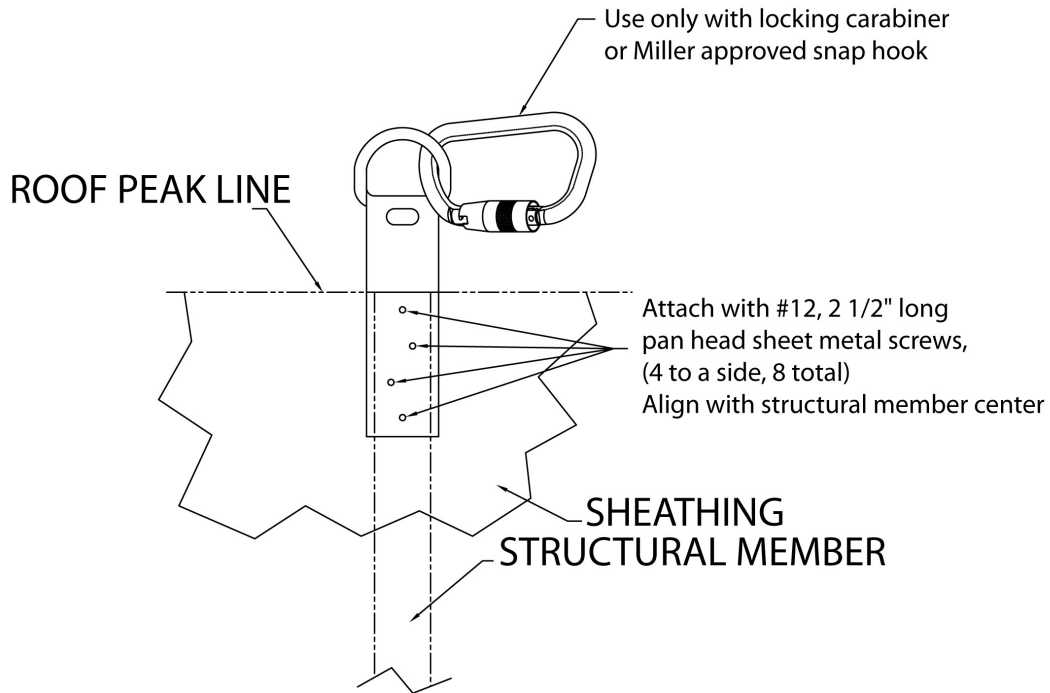
Weight: 1.24 lbs. (0.56 kg) each
Max. Working Load: 310 lbs (140.62 kg)
D-ring Min. Tensile: 5,000 lbs (22 kN)

Certification

Meets OSHA 1926.502(d)(16)(v) requirements.



TECHNICAL DATA
SP438 Rev A 10-17



Limitless Possibilities. Ask the Expert.

Technical Service: 800.873.5242
www.millerfallprotection.com

Honeywell Industrial Safety

900 Douglas Pike
Smithfield, RI 02917

USA

Phone: 800.430.5490
Fax: 800.322.1330

Canada

Phone: 888.212.7233
Fax: 888.667.8477

⚠ This equipment should only be used after reading and understanding the manufacturer's instructions. Failure to follow instructions could result in serious injury or fatality.