

**Convertisseur de signaux numériques
Digital Signal Converter**

**Manuel de l'utilisateur
420I
User Manual**

ERP 511399
2/07

Digital Signal Converter

420I User Manual

ERP 511399
2/07

Notices and Trademarks

Copyright by Honeywell International Inc.
Release 511399 February 2007

While this information is presented in good faith and believed to be accurate, Honeywell disclaims the implied warranties of merchantability for a particular purpose and makes no express warranties except as may be stated in its written agreement with and for its customers.

In no event is Honeywell liable to anyone for any indirect, special or consequential damages. The information and specifications in this document are subject to change without notice.

Honeywell Analytics
4005 Matte Blvd, Unit G
Brossard, Quebec, J4Y 2P4

Contacts

World Wide Web

The following Honeywell Websites may be of interest to Industry Solution customers:

Honeywell Organization	WWW Address (URL)
Honeywell Analytics	http://www.honeywellanalytics.com
Corporate	http://www.honeywell.com
International	http://content.honeywell.com/global/

Telephone

Contact us by telephone at the numbers listed below:






	Organization	Phone Number
United States and Canada	Honeywell Analytics	1-800-563-2967
		1-450-619-2450
		Fax: 1-888-967-9938
Asia Pacific	Honeywell Asia Pacific Inc. Hong Kong	(852) 23 31 9133
Europe	Honeywell Pace Brussels, Belgium	[32-2]728-2711
Latin America	Honeywell International Inc. Sunrise, Florida, U.S.A.	(954) 845-2600

Sales Informations

Contact us at sales@vulcaininc.com

Symbol Definitions

The following table lists the symbols used in this document to denote certain conditions:

Symbol	Definition
	ATTENTION: Identifies information that requires special consideration
	TIP: Identifies advice or hints for the user, often in terms of performing a task
	REFERENCE _ INTERNAL: Identifies an additional source of information within the bookset.
CAUTION	Indicates a situation which, if not avoided, may result in equipment or work (data) on the system being damaged or lost, or may result in the inability to properly operate the process.
	CAUTION: Indicates a potentially hazardous situation which, if not avoided, may result in minor or moderate injury. It may also be used to alert against unsafe practices. CAUTION: Symbol on the equipment refers the user to the product manual for additional information. The symbol appears next to required information in the manual.
	WARNING: Indicates a potentially hazardous situation which, if not avoided, could result in serious injury or death. WARNING symbol on the equipment refers the user to the product manual for additional information. The symbol appears next to required information in the manual.

Contents

INTRODUCTION	11
Unpacking	11
Description	11
Installation Guidelines	11
INSTALLATION	12
AVAILABLE CONFIGURATIONS	13
Listening Mode	13
Polling Mode	14
Split Address Mode	14
Available Configuration for 301C	15
4-20 mA Configuration	16
4-20 mA Output Loop-powered Operation	17
4-20 mA Output Configuration	19
WIRING DETAILS	20
SPECIFICATIONS	21
LED Position and Significance	21
4-20 mA Output Adjustments	21
DIP Switch Settings	23
LIMITED WARRANTY	25
Limited Warranty	25
Re-Stocking Policy	25
Exclusions	26
Warranty Limitation and Exclusion	26
Disclaimer of Unstated Warranties	27
Limitation of Liability	27

Introduction

Unpacking

After opening the package and removing the equipment and components, make sure that you have all the items described on the order form or packing slip.

Installation Guidelines

- Make sure to locate the monitor in an area easily accessible to a technician.
- Avoid any location where temperature changes occur rapidly.
- Verify all the requirements and existing regulations which may affect the choice of location.
- Conduit installation must conform to local fire, building and electrical codes.

Description

Available Configurations

Description

The unit can be factory set to one of three configurations. In the most standard configuration, the 420I converts the transmitter digital signal to 4-20 mA analog outputs.

Although the unit is preconfigured, it is also possible to modify configurations using the unit's DIP switch (see Changing the 420I Configuration section).

Available Configurations

This section provides details on the various 420I configurations available as well as various wiring diagrams. The 420I converter may be configured in three modes: Listening, Polling and Split Address.

Listening Mode

In this mode, the 420I only listens to the information transmitted between the controller and the transmitters. It does not intervene in network operation. The converter transforms the digital signal from the transmitters into a 4-20 mA analog signal.

Once set, the converter provides a 4-20 mA analog signal for the transmitters at addresses 1 to 8 or 9 to 16 if the converter is connected to channel 1 of the 201C, and 17 to 24 or 25 to 32 if the converter is connected to channel 2.

Each converted signal is associated to a distinct output (J16 through J23).

Three statistic values are also available: Minimum, Maximum and Average, with the appropriate settings. These values are available with addresses 1 to 8, 9 to 16, or 1 to 16 if the converter is connected to channel 1 of the 201C, or 17 to 24, 25 to 32, or 17 to 32 if the converter is connected to channel 2. The outputs associated with the statistic mode are the following:

Output J20: Average

Output J18: Minimum

Output J16: Maximum

Polling Mode

In this mode, the converter polls the network. There is no 201C on the network. The 420I (master) polls the transmitters (slaves) and converts the digital signal from the transmitters into a 4-20 mA analog signal.

Once set, the converter provides a 4-20 mA analog signal for the transmitters at address 1 to 8 or 9 to 16 if the converter is connected to channel 1 of the 201C, and 17 to 24 or 25 to 32 if the converter is connected to channel 2. Each converted signal is associated with a distinct output (J16 through J23).

Three statistic values are also available : Minimum, Maximum and Average, with the appropriate settings. These values are available with addresses 1 to 8, 9 to 16, or 1 to 16 if the converter is connected to channel 1 of the 201C, or 17 to 24, 25 to 32, or 17 to 32 if the converter is connected to channel 2.

Split Address Mode

(Listening or Polling)

This mode is used with a SQN8x (4 points, 2 gases). The SQN8x uses 4 points per gas. Addresses 1 to 4 are for the first gas and addresses 9 to 12 for the second gas.

On the 420I, the addresses are fixed. Addresses 1 to 4 are attributed to the first 4 outputs and addresses 9 to 12 are attributed to the last 4 outputs. This configuration allows for the use of only one 420I with a SQN8x with two gases.

Description

Available Configuration for 301C

Available Configuration for 301C

This function is only available with recent versions (2005 onward). When used with the 301C, it is in listening mode only; the broadcast mode must be activated on the controller side.

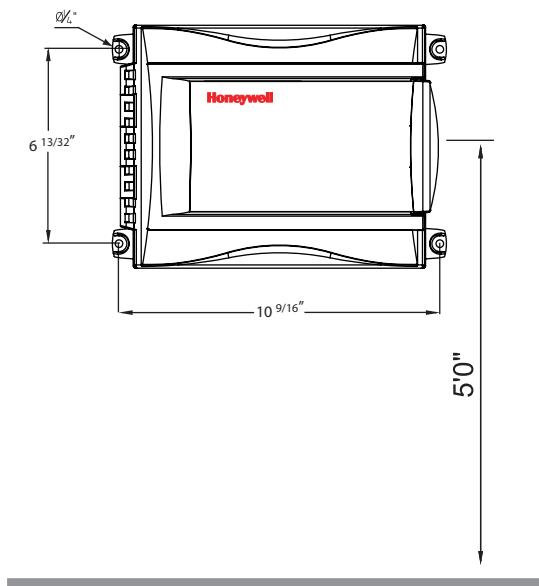
Addresses can be selected in groups of 8 (i.e. 1 - 8, 9-16 and so on until 89-96. See DIP Switch settings for further details). There are also three (3) statistic values available for selected groups: Minimum, Maximum and Average.

.Each converted signal is associated to the following outputs;

Output J20: Average;
Output J18: Minimum;
Output J16: Maximum.

Installation

Installation of the converter simply requires the physical mounting of the enclosure and connection of the power and output lines.



Mounting Instructions

1. Select installation location
2. Measure and mark mounting holes (as shown)
3. Pre-drill or prepare as required by mounting surface (drywall plugs, etc.)
4. Position unit and align mounting holes with markings and install necessary screws.

Note: Remember to remove knock-outs before mounting the unit.

Wiring Details

4-20 mA Current Sourcing Output Wiring

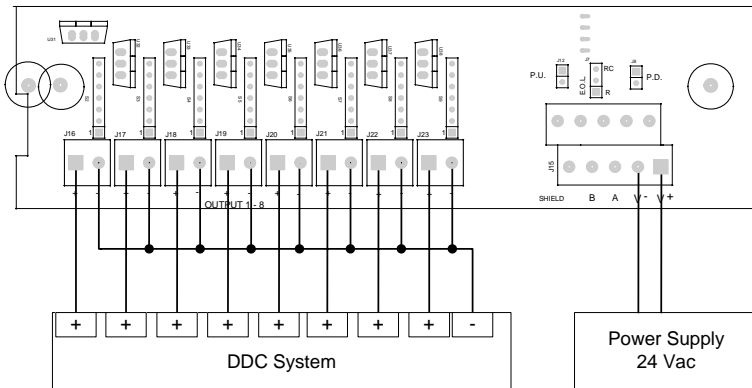
Wiring Details

4-20 mA Current Sourcing Output Wiring

The transmitter supplies the loop current. The maximum impedance supported by the loop is 400 ohms. To enable this configuration, the three jumpers must be placed on positions 1-2, 3-4 and 5-6 at distinct outputs J16 through J23.

WARNING

A dedicated power supply must be used with each unit. Considerable damage may occur if this condition is not strictly met.



4-20 mA Output Loop-powered Wiring

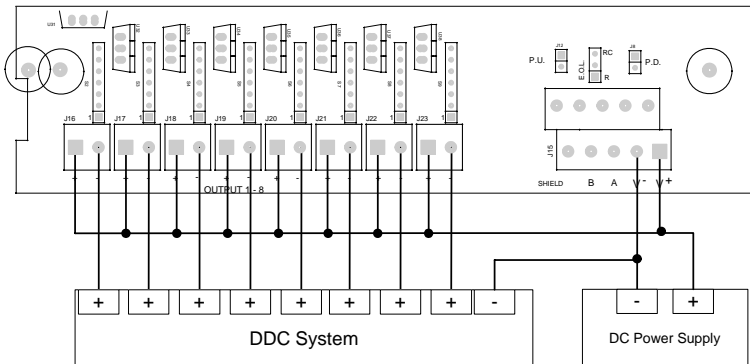
(Factory Setting)

The 4-20 mA output is factory set for loop-powered operation and requires a power source of 12 Vdc to 30 Vdc. The overall permitted impedance depends on the voltage supplied at the 4-20 mA loop. To enable this configuration, the three jumpers must be placed on positions 2-3, 4-5 and 6-7 at distinct outputs J16 through J23.

Permitted Impedance in the 4-20 mA Loop

Voltage Source Applied	Total Impedance
12 Vdc	400 Ohms
16 Vdc	600 Ohms
20 Vdc	800 Ohms
24 Vdc	1000 Ohms
30 Vdc	1300 Ohms

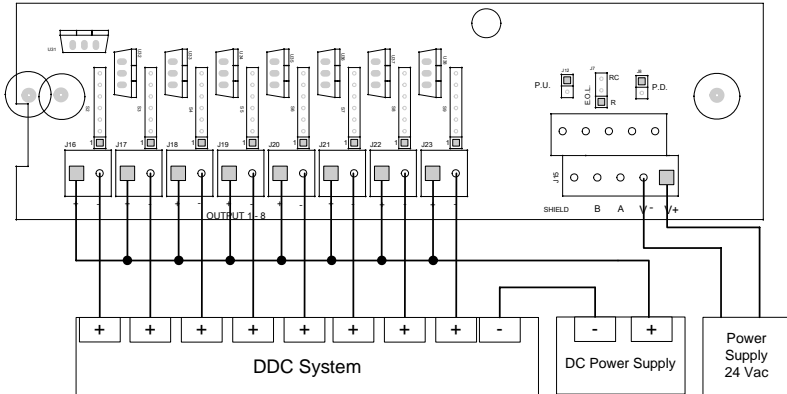
3-wire configuration



Wiring Details

4-20 mA Output Loop-powered Wiring

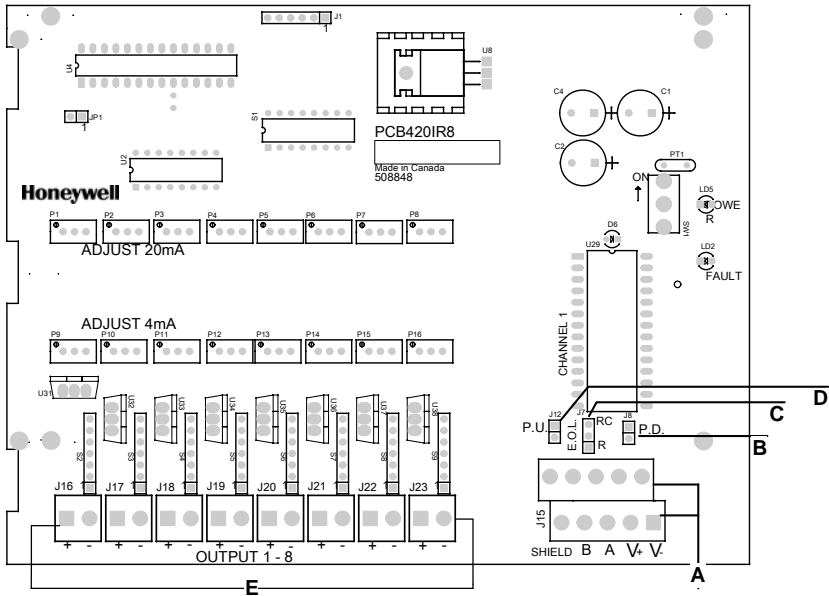
4-wire configuration



4-20 mA Output Configuration

The 420I has 8 4-20 mA outputs. It converts a digital signal entering at J15 into an analog signal through outputs J16 to J23. The output signal is linear to the input. The 4 mA output represents the minimum scale from the input and the 20 mA output represents the maximum scale from the input.

PCB Terminals



- A. **Power and Communication:** J15 Input: Lower Terminal Output: Upper Terminal (for communication use 2-24 AWG twisted and shielded cable, Belden 9841 or equivalent)
- B. **J8:** Pull down resistor
- C. **J7:** 1-2, end of line resistor 2-3, end of line RC filter resistor
- D. **J12:** Pull up resistor
- E. **4-20 mA Outputs:** J16 to J23 4-20 mA outputs may be set to be Current sourcing or Loop-powered
 Current Sourcing: S2 to S9 jumpers at 1-2, 3-4 and 5-6
 Loop-Powered: S2 to S9 jumpers at 2-3, 4-5 and 6-7
 When the output reads 3.33mA, the 420I does not see the corresponding transmitter.

WARNING

A dedicated power source must be used with the 420I when using current sourcing as input 4-20mA configuration.

Specifications

Power requirement:	17-27 Vac, 24-38 Vdc, 500 mA
Number of outputs:	8 dedicated 4-20 mA outputs
Operating temperature range:	-20 to 50° C (-4° to 122° F)
Operating humidity range:	0% - 95% RN, non-condensing
Communication cable	2-24 AWG twisted and shielded (Belden 9841 or equivalent)
Dimensions:	8.4 in (H) x 8.6 in (W) x 2.5 in (D) (21.3 cm x 13,4 cm x 5.7 cm)
Weight:	3.5 lbs (1.58 kg) - with metal housing
Certifications	UL1244 CSA C22.2 no.205M1983(R1999)

LED Descriptions

PCB version 6 and before	PCB version 7 and up
LED 1: Power	LD5: Power
LED 4: Digital to analog signal (DAC)	LD2: Fault
LED 5: Micro-controller	D6: Communication LED

4-20 mA Output Adjustments



Before changing the S1 DIP switch settings for the 4-20 mA adjustments, note the actual setting to reset the dip switch for normal operation. After the adjustments are made, replace jumpers at S2 through S9 to the correct configuration.

The outputs must be set for current sourcing configuration. Install jumpers at positions 1-2, 3-4 and 5-6 for S2 through S9.

WARNING

Do NOT use Current Sourcing Configuration if there will be voltage on the line.

Set Dipswitch S1 as follows for 4 mA adjustment:

Dip1: OFF

Dip2: OFF

Dip3: ON

Dip4: OFF

With your ampmeter at each output, adjust the 4 mA with Potentiometers P9 through P16.

Set Dipswitch S1 as follows for 20 mA adjustment:

Dip1: OFF

Dip2: ON

Dip3: ON

Dip4: OFF

With your ampmeter at each output, adjust the 20 mA with potentiometers P1 through P8.

Once completed, replace the settings to their original places.

Changing the 420I Configuration

DIP Switch Settings

	1	2	3	4*	5	6	7	8	Mode
VULBUS (201C)	0	0	0	0/1	0	0	0	0	Interrogation mode; Adr. 9-16
	1	0	0	0/1	0	0	0	0	Interrogation mode; Adr. 1-8
	0	1	0	0/1	0	0	0	0	Listen mode; Adr 9-16
	1	1	0	0/1	0	0	0	0	Listen mode; Adr. 1-8
	0	0	1	0	0	0	0	0	Output adjustment; 4mA
	1	0	1	0/1	0	0	0	0	Interrogation mode; split adr 1-4, 9-12
	0	1	1	0	0	0	0	0	Output adjustment: 20mA
	1	1	1	0/1	0	0	0	0	Listen mode; split adr. 1-4, 9-12
	0	0	1	1	0	0	0	0	Interrogation mode; statistic 1-16
0	1	1	1	0	0	0	0	Listen mode; statistic 1-16	
MODBUS (301C)	0	0	0	0/1	1	0	0	0	Modbus listen; Adr. 1-8
	0	0	0	0/1	0	1	0	0	Modbus listen; Adr. 9-16
	0	0	0	0/1	1	1	0	0	Modbus listen; Adr. 17-24
	0	0	0	0/1	0	0	1	0	Modbus listen; Adr. 25-32
	0	0	0	0/1	1	0	1	0	Modbus listen; Adr. 33-40
	0	0	0	0/1	0	1	1	0	Modbus listen; Adr. 41-48
	0	0	0	0/1	1	1	1	0	Modbus listen; Adr. 49-56
	0	0	0	0/1	0	0	0	1	Modbus listen; Adr. 57-64
	0	0	0	0/1	1	0	0	1	Modbus listen; Adr. 65-72
	0	0	0	0/1	0	1	0	1	Modbus listen; Adr. 73-80
	0	0	0	0/1	1	1	0	1	Modbus listen; Adr. 81-88
	0	0	0	0/1	0	0	1	1	Modbus listen; Adr. 89-96
	0	0	0	0/1	1	0	1	1	Not Available
	0	0	0	0/1	0	1	1	1	Not Available
0	0	0	0/1	1	1	1	1	Not Available	

Note: * When DIP Switch four (4) is set to 1, it is in statistic mode (except for adjustment settings)

Limited Warranty

Limited Warranty

Honeywell Analytics, Inc. warrants to the original purchaser and/or ultimate customer ("Purchaser") of Vulcain products ("Product") that if any part thereof proves to be defective in material or workmanship within twelve (12) months, such defective part will be repaired or replaced, free of charge, at Honeywell Analytics' discretion if shipped prepaid to Honeywell Analytics at 4005 Matte Blvd., Unit G, Brossard, Quebec, J4Y 2P4, in a package equal to or in the original container. The Product will be returned freight prepaid and repaired or replaced if it is determined by Honeywell Analytics that the part failed due to defective materials or workmanship. The repair or replacement of any such defective part shall be Honeywell Analytics' sole and exclusive responsibility and liability under this limited warranty.

Re-Stocking Policy

The following re-stocking fees will apply when customers return products for credit:

- 15% re-stocking fee will be applied if the product is returned within **1 month** following the shipping date
- 30% re-stocking fee will be applied if the product is returned within **3 months** following the shipping date

A full credit (less re-stocking fee) will only be issued if the product is in perfect working condition. (If repairs are required on the returned product, the cost of these repairs will be deducted from the credit to be issued.)

No credits will be issued beyond the three month period.

Exclusions

- a.If Gas sensors are part of the Product, the gas sensor is covered by a twelve (12) month limited warranty of the manufacturer.
- b.If gas sensors are covered by this limited warranty, the gas sensor is subject to inspection by Honeywell Analytics for extended exposure to excessive gas concentrations if a claim by the Purchaser is made under this limited warranty. Should such inspection indicate that the gas sensor has been expended rather than failed prematurely, this limited warranty shall not apply to the Product.
- c.This limited warranty does not cover consumable items, such as batteries, or items subject to wear or periodic replacement, including lamps, fuses, valves, vanes, sensor elements, cartridges, or filter elements.

Warranty Limitation and Exclusion

Honeywell Analytics will have no further obligation under this limited warranty. All warranty obligations of Honeywell Analytics are extinguishable if the Product has been subject to abuse, misuse, negligence, or accident or if the Purchaser fails to perform any of the duties set forth in this limited warranty or if the Product has not been operated in accordance with instructions, or if the Product serial number has been removed or altered.

Disclaimer of Unstated Warranties

The warranty printed above is the only warranty applicable to this purchase. All other warranties, express or implied, including, but not limited to, the implied warranties of merchantability or fitness for a particular purpose are hereby disclaimed.

Limitation of Liability

It is understood and agreed that Honeywell Analytics' liability, whether in contract, in tort, under any warranty, in negligence or otherwise shall not exceed the amount of the purchase price paid by the purchaser for the product and under no circumstances shall Honeywell Analytics be liable for special, indirect, or consequential damages. The price stated for the product is a consideration limiting honeywell analytics' liability. No action, regardless of form, arising out of the transactions under this warranty may be brought by the purchaser more than one year after the cause of actions has occurred.

Convertisseur de signaux numériques

4201
Manuel d'utilisateur

ERP 511399
2/07

Avis et marques de commerce

**Tous droits réservés par Honeywell International Inc.
Parution 511399 février 2007**

Quoique cette information est présentée en bonne foi et est présumée exacte, Honeywell décline la garantie tacite de la qualité marchande pour un emploi particulier et offre aucune garantie exprès, à l'exception des conventions écrites avec et pour ses clients.

Honeywell ne sera, sous aucune circonstance, responsable à qui que ce soit pour des dommages spéciaux ou indirectes. Les informations et les spécifications dans ce document sont susceptibles d'être modifiées sans préavis.

Honeywell Analytics
4005 Matte Blvd, Local G
Brossard, Québec, J4Y 2P4

Nous joindre

Web

Les sites Web suivant d'Honeywell peuvent être utiles pour les clients d'Industry Solution :

Organisation Honeywell	Adresses WWW (URL)
Honeywell Analytics	http://www.honeywellanalytics.com
Corporate	http://www.honeywell.com
International	http://content.honeywell.com/global/

Téléphone

Utiliser les numéros de téléphone ci-dessous pour nous contacter :

	Organisation	Numéro de téléphone
États Unis et Canada	Honeywell Analytics	1-800-563-2967
		1-450-619-2450
		Fax: 1-888-967-9938
Asie Pacifique	Honeywell Asia Pacific Inc. Hong Kong	(852) 23 31 9133
Europe	Honeywell Pace Bruxelles, Belgique	[32-2]728-2711
Amérique latine	Honeywell International Inc. Sunrise, Floride, É.U.	(954) 845-2600

Informations des ventes

Nous contacter à sales@vulcaininc.com

Définitions des symboles

Le tableau suivant contient la liste des symboles utilisés dans ce document pour indiquer certaines conditions :





Symbole	Définition
	ATTENTION: Identifie une information demandant une attention spéciale
	Truc: Identifie un conseil ou un truc pour l'utilisateur, souvent concernant une tâche
	RÉFÉRENCE- INTERNE Indique une source d'information supplémentaire à l'intérieur du document.
ATTENTION	Indique une situation à éviter pouvant entraîner des dommages au système ou la perte de travail (documents) ou pouvant prévenir l'opération normale du système.
	ATTENTION : Indique une situation potentiellement dangereuse qui peut entraîner des blessures mineures ou modérées si pas évité. Peut également signaler des actions dangereuses ATTENTION: Un symbole sur l'équipement qui réfère l'utilisateur à la documentation pour de plus amples informations. Ce symbole apparaît à côté des informations nécessaires dans le manuel.
	AVERTISSEMENT : Indique une situation potentiellement dangereuse qui peut entraîner des blessures majeures ou la mort si pas évité. AVERTISSEMENT Un symbole sur l'équipement qui réfère l'utilisateur à la documentation pour de plus amples informations. Ce symbole apparaît à côté des informations nécessaires dans le manuel.

Table des matières

INTRODUCTION	11
Déballage	11
Directives d'installation	11
DESCRIPTION	12
Configurations disponibles	12
Mode écoute	12
Mode interrogation	13
Mode adresse divisée (écoute ou interrogation)	13
Configuration disponible pour 301C	14
INSTALLATION	15
Instructions de montage	15
DÉTAILS DE CONNEXION	16
Configurations 4@20 mA	16
La configuration active	16
La configuration passive	17
Configuration à 3 fils	18
Configuration à 4 fils	18
Les sorties 4@20 mA	19
BORNIERS DE RACCORDEMENT ÉLECTRIQUE	20
SPÉCIFICATIONS	21
Définition des DEL	21
Ajustements des sorties 4@20 mA	22
CHANGER LA CONFIGURATION DU 420I	23
Réglages commutateurs DIP	23
Garantie limitée	25
Politique de Retour	25
Exclusions	26
Limitation et exclusion de la garantie	26
Dénégation de responsabilité d'autres garanties	27
Limitation de responsabilité	27

Introduction

Déballage

Dès son ouverture, vérifier le contenu de l'emballage. Assurez-vous que vous avez reçu tous les éléments tels qu'indiqués sur le bon de connaissance.

Directives d'installation

- Localiser chaque unité à un endroit facilement accessible pour un technicien.
- Éviter toute localisation des unités près des sources de bruits électriques et de vibrations.
- Éviter toute localisation des unités près des sources de température et d'humidité instables.
- Avant de débiter l'installation, vérifier tous les codes, normes ou législations pouvant affecter les travaux.

Description

Configurations disponibles

Le convertisseur 420I peut être configuré pour trois modes. Dans une première configuration, le convertisseur 420I permet de lire les valeurs numériques transmises par les transmetteurs et de les convertir en signaux 4-20 mA.

Quoique l'unité est configuré es usine, il est possible de modifier la configuration depuis le commutateur DIP de l'unité (voir la section *Changer la configuration du 420I*).

Mode écoute

Dans ce mode, le 420I écoute l'information transigée entre le contrôleur 201C et des transmetteurs. Le convertisseur transforme les signaux numériques des transmetteurs en signaux analogiques 4-20 mA.

Le convertisseur fournit la conversion analogique des signaux pour les transmetteurs 1 à 8 ou 9 à 16 si le convertisseur est branché au canal 1 du contrôleur 201C; et 17 à 24 ou 25 à 32 si le convertisseur est branché au canal 2 du contrôleur. Chaque signal est fourni sur une sortie distincte (J16 à J23).

Les trois valeurs statistiques : minimale, maximale, et la moyenne; sont aussi disponibles par réglage, pour les transmetteurs 1 à 8, 9 à 16 ou 1 à 16 si le convertisseur est branché au canal 1 du contrôleur 201C; et 17 à 24, 25 à 32 ou 17 à 32 si le convertisseur est branché au canal 2 du contrôleur. Trois sorties distinctes fournissent la valeur minimale (J18), la valeur maximale (J16) et le moyenne (J20) des unités en écoute.

Mode interrogation

Le mode interrogation est utilisé en l'absence de contrôleur 201C. Le convertisseur interroge les transmetteurs et convertit les signaux numériques des transmetteurs en signaux analogiques 4-20 mA.

Le convertisseur, selon le réglage, fournit la conversion analogique des signaux pour les transmetteurs 1 à 8 ou 9 à 16 si le convertisseur est branché au canal 1 du contrôleur 201C; et 17 à 24 ou 25 à 32 si le convertisseur est branché au canal 2 du contrôleur. Chaque signal est fourni sur une sortie distincte (J16 à J23).

Les trois valeurs statistiques : minimale, maximale, et la moyenne; sont aussi disponibles par réglage, pour les transmetteurs 1 à 8, 9 à 16 ou 17 à 16 si le convertisseur est branché au canal 1 du contrôleur 201C; et 17 à 24, 25 à 32 ou 17 à 32 si le convertisseur est branché au canal 2 du contrôleur. Trois sorties distinctes fournissent la valeur minimale (J18), la valeur maximale (J16) et le moyenne (J20) des unités en interrogation.

Mode adresse divisée (écoute ou interrogation)

Ce mode est utilisé avec un SQN8X lorsque ce dernier a 4 points, 2 gaz. En effet, ce mode permet l'interrogation ou l'écoute des 4 points pour chacun des gaz. Les adresses 1 à 4 pour le premier gaz et les adresses 9 à 12 pour le deuxième gaz.

Sur le 420I, les sorties attribuées sont J16 à J19 pour les adresses 1 à 4 et J20 à J23 pour les adresses 9 à 12. Ceci permet d'utiliser un seul 420I.

Description

Configuration disponible pour 301C

Configuration disponible pour 301C

Cette fonction est seulement disponible sur les version 7 et plus du 301C. Lorsque utilisé avec le 301C, ce dernier est en mode écoute seulement; le mode "broadcast" doit être activé dans la centrale.

Les adresses peuvent être sélectionnées en groupes de 8 (soit, 1 à 8, 9 à 16, et ainsi de suite jusqu'à 113 à 120. Voir la section de Réglages commutateurs DIP pour de plus amples informations). Il y a également trois valeurs de statistiques disponibles: Minimum, Maximum et Moyenne.

Chaque signal convertit est associé à l'une des sorties suivantes:

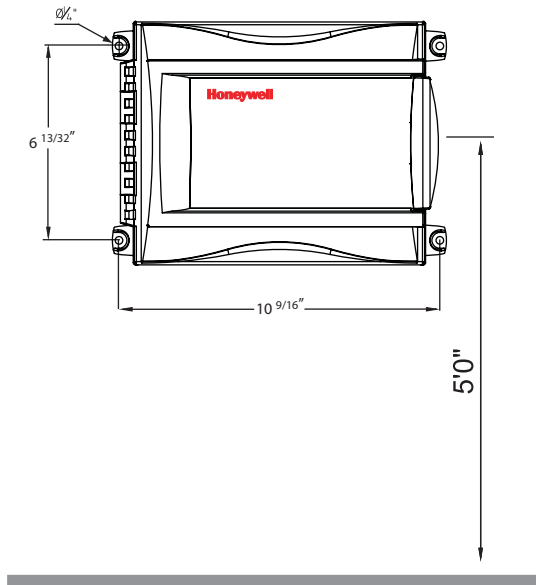
Sortie J20: Moyenne

Sortie J18: Minimum

Sortie J16: Maximum

Installation

L'installation du convertisseur nécessite simplement le montage mural et le raccordement électrique



Instructions de montage

1. Choisir l'emplacement pour l'installation
2. Mesurer et marquer les trous de montages (selon l'illustration)
3. Perçer ou préparer les trous de montage selon la surface (ancrages, etc.)
4. Aligner l'unité avec les trous puis affixer avec les vis appropriées.

Note: Enlever les pastilles poinçonnées (knock-out) avant de fixer l'unité.

Détails de connexion

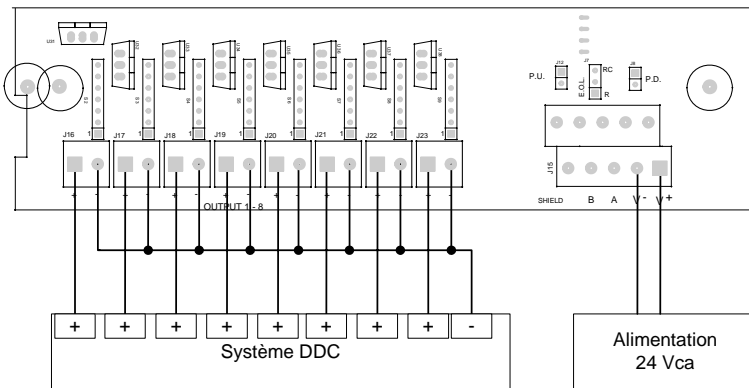
Configurations 4@20 mA

La configuration active

Le convertisseur fournit la tension à la boucle de courant. L'impédance maximale que peut supporter la boucle est de 400 Ohms. Pour configurer ce mode, il faut placer les trois cavaliers de boucles dans la position 1-2, 3-4 et 5-6. Les étiquettes des cavaliers des boucles de 1 à 8 sont respectivement "J16" à "J23".

ATTENTION

Une alimentation séparée pour chacun des 420I est requise pour cette configuration. D'importants dommages peuvent survenir si les conditions ci-haut mentionnées ne sont pas correctement suivies.



La configuration passive

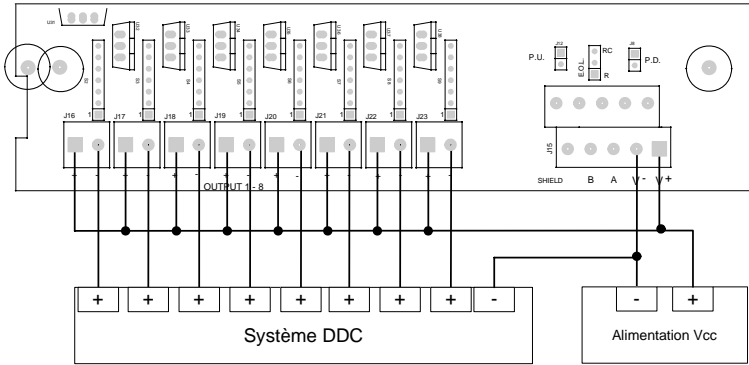
(Configuration réglée en usine)

Configurées en 4-20 mA passif, les sorties nécessitent une alimentation de 12 Vcc à 30 Vcc. L'impédance totale permise dépend du voltage de l'alimentation de la boucle 4-20 mA. Pour configurer ce mode, il faut placer les trois cavaliers des boucles dans la position 2-3, 4-5 et 6-7. Les étiquettes des cavaliers des boucles de 1 à 8 sont respectivement "J16" à "J23".

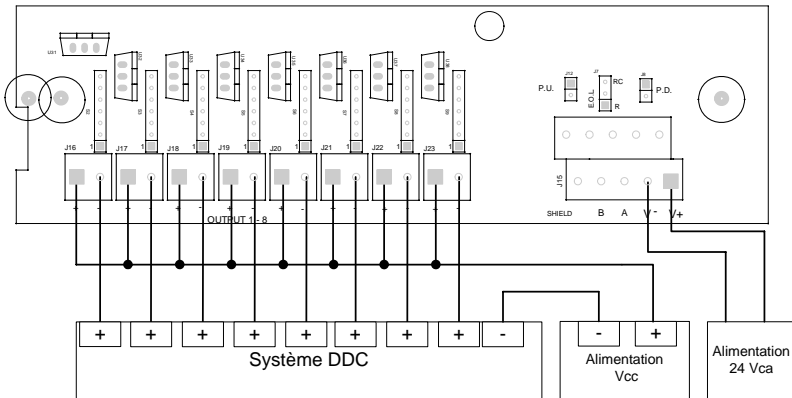
Impédance permise dans la boucle 4-20 mA

Source de différence de potentiel (voltage) appliqué	Impédance Total
12 Vdc	400 Ohms
16 Vdc	600 Ohms
20 Vdc	800 Ohms
24 Vdc	1000 Ohms
30 Vdc	1300 Ohms

Configuration à 3 fils



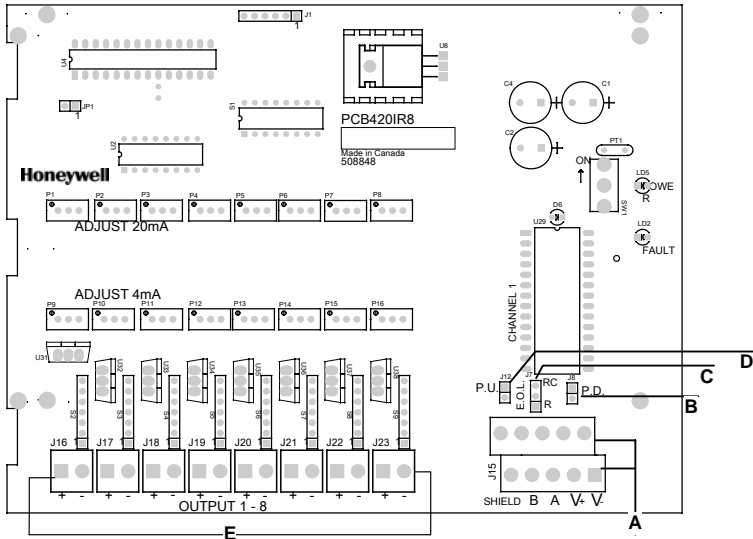
Configuration à 4 fils



Les sorties 4@20 mA

Le 420I contient 8 sorties 4-20mA. Le 420I convertit un signal numérique entrant par J15 en un signal analogique 4-20mA fourni aux sorties J16 à J23. La sortie est linéaire à l'entrée. Le signal 4mA de la sortie représente la valeur minimum de la plage du signal d'entrée et le signal 20mA représente la valeur maximale de la plage du signal d'entrée.

Borniers de raccordement électrique



- A. **Alimentation et Communication** : J15 Entrée : Bornier du bas, Sortie : Bornier du haut
- B. **J8** : Résistance “pull-down”
- C. **J7** : Position 2-3, Filtre RC fin de ligne, Position 1-2, Résistance de fin de ligne
- D. **J12** : Résistance “pull-down”
- E. **Entrée 4-20mA** : J16 à J23 Sorties 4-20 mA peuvent être utilisées pour configuration active ou passive.
 Configuration Active : Cavaliers S2 à S9 sur 1-2, 3-4 et 5-6.
 Configuration Passive : Cavaliers S2 à S9 sur 2-3, 4-5 et 6-7.
 Quand la sortie lit 3.33 mA, le 420I ne détecte pas le transmetteur correspondant.

ATTENTION

Une alimentation séparée pour chaque unité est requise pour cette configuration.

Spécifications

Alimentation requise :	17 à 27 Vca, 24 à 38 Vcc, 500 mA
Nombre de sorties :	8 sorties dédiées 4-20 mA
Plage de température:	-20° à 50° C (-4° à 1220° F)
Plage d'humidité :	0 à 95% RH non-condensé
Câble de communication	2-24 AWG torsadé et blindé (Belden 9841 ou équivalent)
Dimensions :	21,3 cm (H) x 13,4 cm (L) x 5,7 cm (P)
Poids :	1,58 Kg (3.5 lbs) boîtier en métal
Certifications	UL1244 CSA C22.2 no. 205M1983 (R1999)

Définition des DEL

Version 6 et plus récent	Version 7 et plus récent
DEL 1 = Alimentation	LD5: Alimentation
DEL 4: Convertisseur analogue numérique	LD2: Faute
DEL 5: Micro-contrôleur	D6: Communication

Spécifications

Ajustements des sorties 4@20 mA

Ajustements des sorties 4@20 mA



Avant de changer les réglages des commutateurs DIP de S1 pour les ajustements 4-20 mA, veuillez prendre note des réglages existants pour opération normale. Après avoir fait les ajustements, remettez les cavaliers de S2 à S9 en position correcte.

Les sorties doivent être réglées pour la configuration active. Installez les cavaliers aux positions 1-2, 3-4 et 5-6 de S2 à S9.

ATTENTION Si la ligne sera mise sous tension, ne PAS utiliser la configuration active.

Réglez le commutateur DIP S1 comme suit pour les ajustements 4 mA :

Dip1: OFF
Dip2: OFF
Dip3: ON
Dip4: OFF

Avec l'ampèremètre à chaque sortie, ajustez le 4 mA à l'aide des potentiomètres P9 à P16.

Réglez le commutateur DIP S1 comme suit pour les ajustements 20 mA :

Dip1: OFF
Dip2: ON
Dip3: ON
Dip4: OFF

Avec l'ampèremètre à chaque sortie, ajustez le 20 mA à l'aide des potentiomètres P1 à P8.

Aussitôt terminé, ne pas oublier de remettre les paramètres d'origine.

Changer la configuration du 420I

Réglages commutateurs DIP

	1	2	3	4*	5	6	7	8	Mode
VULBUS (201C)	0	0	0	0/1	0	0	0	0	Mode interrogation; Adr. 9-16
	1	0	0	0/1	0	0	0	0	Mode interrogation; Adr. 1-8
	0	1	0	0/1	0	0	0	0	Mode écoute; Adr 9-16
	1	1	0	0/1	0	0	0	0	Mode écoute; Adr. 1-8
	0	0	1	0	0	0	0	0	Ajustment sortie; 4mA
	1	0	1	0/1	0	0	0	0	Mode interrogation; adr. div. 1-4, 9-12
	0	1	1	0	0	0	0	0	Ajustment sortie: 20mA
	1	1	1	0/1	0	0	0	0	Mode écoute; adr. div. 1-4, 9-12
	0	0	1	1	0	0	0	0	Interrogation mode; statistique 1-16
	0	1	1	1	0	0	0	0	Mode écoute; statistique1-16
MODBUS (301C)	0	0	0	0/1	1	0	0	0	Modbus écoute; Adr. 1-8
	0	0	0	0/1	0	1	0	0	Modbus écoute; Adr. 9-16
	0	0	0	0/1	1	1	0	0	Modbus écoute; Adr. 17-24
	0	0	0	0/1	0	0	1	0	Modbus écoute; Adr. 25-32
	0	0	0	0/1	1	0	1	0	Modbus écoute; Adr. 33-40
	0	0	0	0/1	0	1	1	0	Modbus écoute; Adr. 41-48
	0	0	0	0/1	1	1	1	0	Modbus écoute; Adr. 49-56
	0	0	0	0/1	0	0	0	1	Modbus écoute; Adr. 57-64
	0	0	0	0/1	1	0	0	1	Modbus écoute; Adr. 65-72
	0	0	0	0/1	0	1	0	1	Modbus écoute; Adr. 73-80
	0	0	0	0/1	1	1	0	1	Modbus écoute; Adr. 81-88
	0	0	0	0/1	0	0	1	1	Modbus écoute; Adr. 89-96
	0	0	0	0/1	1	0	1	1	Non disponible
	0	0	0	0/1	0	1	1	1	Non disponible
	0	0	0	0/1	1	1	1	1	Non disponible

Note: * Lorsque le commutateur 4 est en position 1, il est en mode statistique (sauf ceux en mode ajustement)

Garantie limitée

Garantie limitée

Honeywell Analytics, Inc. garantie à l'Acheteur d'origine et/ou au client final (« Acheteur ») de produits Vulcain (« Produit ») que si une pièce quelconque du produit s'avère défectueuse, soit en matériel ou en main d'oeuvre dans les douze (12) mois, cette pièce sera réparée ou remplacée, sans frais, à la discrétion d'Honeywell Analytics si expédié, port payé, à Honeywell Analytics at 4005 Matte Blvd., Unit G, Brossard, Quebec, J4Y 2P4, dans l'emballage d'origine ou l'équivalent. Le Produit sera retourné au client port payé si Honeywell Analytics détermine que la pièce est défectueuse en raison de défaut matériel ou de main d'oeuvre. La réparation ou le remplacement d'une telle pièce défectueuse représente la seule et exclusive responsabilité d'Honeywell Analytics sous cette garantie limitée.

Politique de Retour

Les frais suivants seront applicables lors de retour de produit pour crédit :

- Des frais de retour de 15% seront appliqués lorsque le produit est retourné dans le **1er mois** suivant la date d'expédition
- Des frais de retour de 30% seront appliqués lorsque le produit est retourné dans les **3 mois** suivant la date d'expédition

Un crédit total (moins les frais de retour) sera uniquement appliqué si le produit est en parfait état de fonctionnement. Si des réparations sont nécessaires sur le produit retourné, les frais de cette réparation seront déduit du crédit.

Aucun crédits ne seront appliqués pour les retours après les 3 mois suivant la date d'expédition.

Exclusions

A. Si des capteurs de gaz font partie du Produit, le capteur est couvert par une garantie limitée de douze (12) mois du fabricant.

B. Si les capteurs de gaz sont couverts par cette garantie limitée, le capteur sera assujéti à l'inspection par Honeywell Analytics pour l'exposition prolongée à des concentrations de gaz élevées si l'Acheteur fait une réclamation sous cette garantie limitée. Si l'inspection indique que la cause de la défectuosité est l'épuisement du capteur plutôt qu'un défaut, cette garantie ne s'appliquera pas au Produit.

C. Cette garantie limitée ne s'applique pas au produits consommables, tels les piles, ou les articles sujets à l'usure ou au remplacement régulier, incluant les lampes, les fusibles, les valves, les aubes, les éléments de sonde, les cartouches ou les éléments de filtres.

Limitation et exclusion de la garantie

Honeywell Analytics n'aura aucun autre responsabilité sous cette garantie limitée. Toutes responsabilités de garantie d'Honeywell Analytics sont annulées si le Produit a subi des abus, de la négligence, un accident ou si l'Acheteur est en défaut de ses obligations tels que décrit dans cette garantie ou si le Produit n'a pas été utilisé selon les instructions ou si le numéro de série du Produit été enlevé ou modifié.

Dénégation de responsabilité d'autres garanties

La garantie ci-haut est la seule garantie applicable à cet achat. Toutes autres garanties, soit implicites ou exprès, incluant mais pas limité à, les garanties tacites de qualité marchande ou de l'aptitude à un emploi particulier sont dénuées par le présent document.

Limitation de responsabilité

Il est entendu que la responsabilité d'Honeywell Analytics, soit en contrat, en délit civil, sous n'importe quelle garantie de responsabilité, en négligence ou autrement n'excédera pas le prix d'achat payé par l'Acheteur pour le produit. Honeywell Analytics ne sera pas responsable, sous aucune circonstance, pour des dommages spéciaux ou indirectes. Le prix déclaré pour le produit est une considération limitant la responsabilité d'Honeywell Analytics. Aucune action, en quelle forme que soit, survenant des transactions sous cette garantie peuvent être entreprises par l'Acheteur plus d'un an après l'occurrence de la cause de ces actions.

