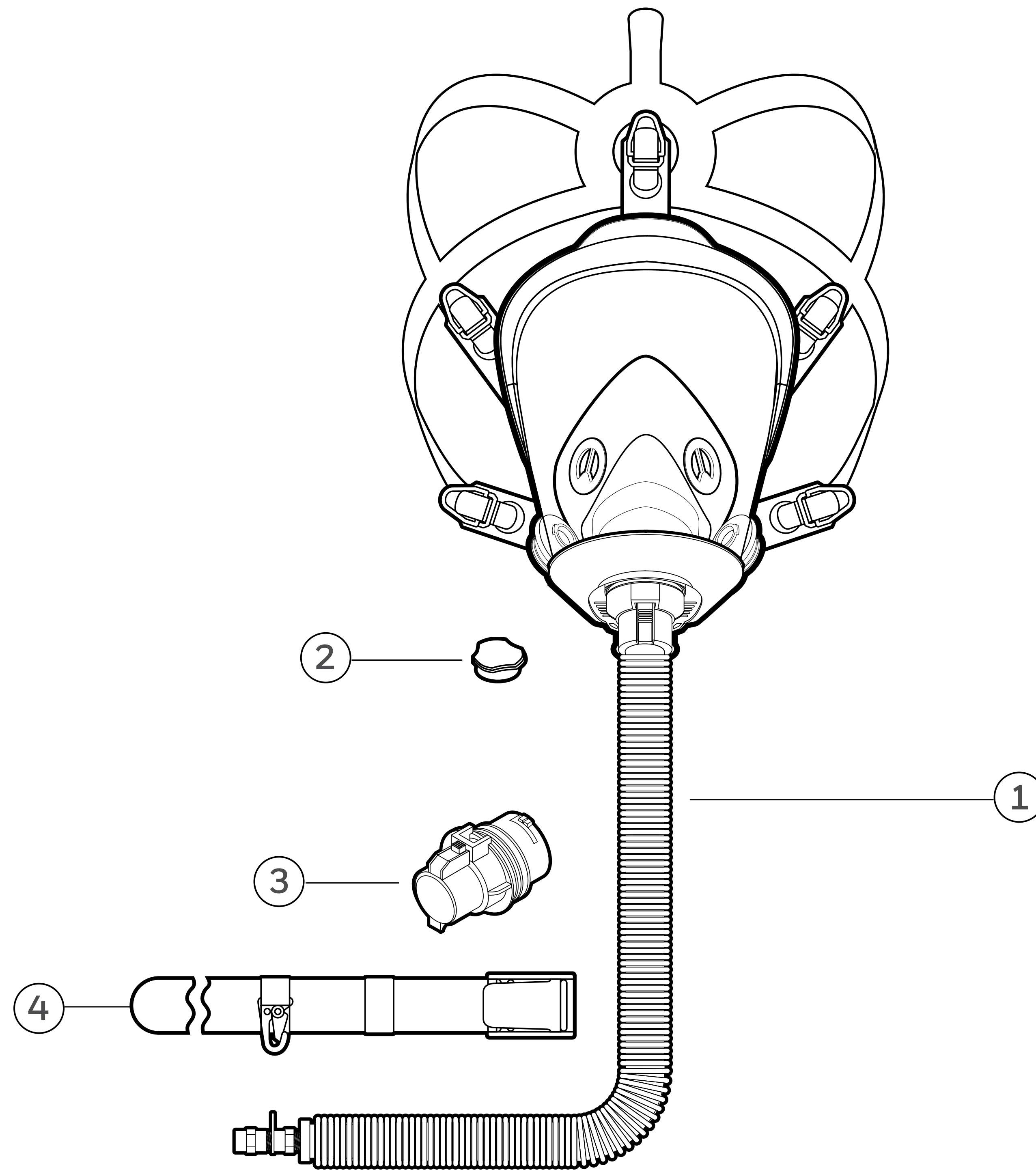


Respiratory Replacement Parts Guide

DIAGRAM NUMBER	PART #	DESCRIPTION
1	981206	Breathing Tube Assembly
2	805007	Cartridge Connector Cap
3	5023586-001	CF-SAR Nozzle Adapter Assembly
4	985231	Belt, nylon

Continuous Flow Supplied Air Respirators (CF-SAR): CF4000 Series



▲ WARNING! Please reference treatment in the RIT Kit brochure. Failure to inspect and correctly maintain your supplied air system and/or to replace any damaged components, including the breathing tube and block assembly, head cover, all couplers and breathing air hose, the air supply source, and all other components of this system can result in the unit not operating correctly and will expose the user to serious illness, injury or death. Carefully follow all of the cleaning and maintenance procedures outlined in the CF4000 Series Operating and Maintenance Instruction Manual.

For more information contact:

Honeywell Technical Service
800.873.5242 – option 2 for Respiratory
www.honeywellsafety.com