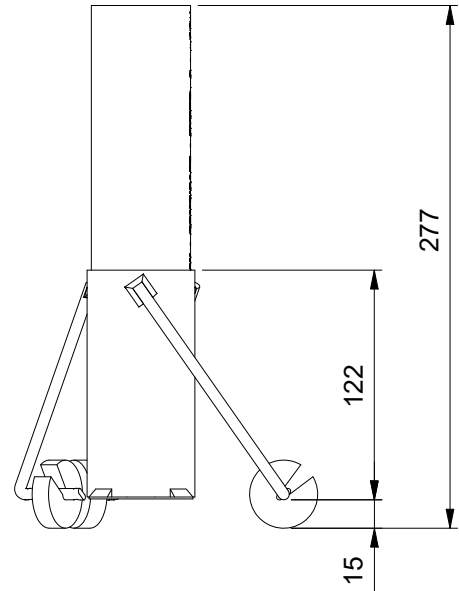
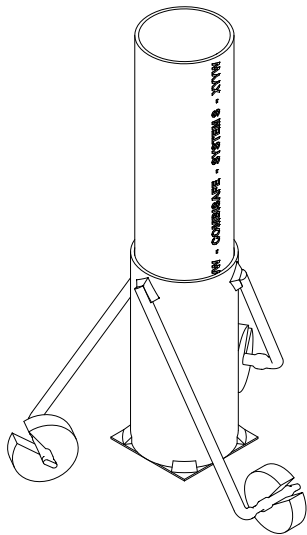
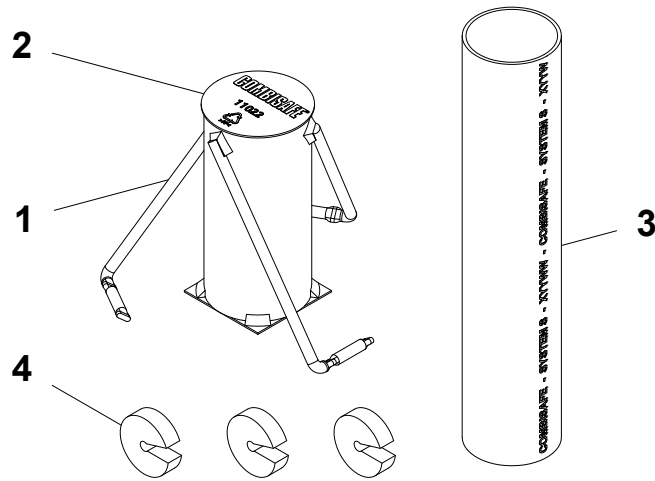


## SMB SYSTEM S

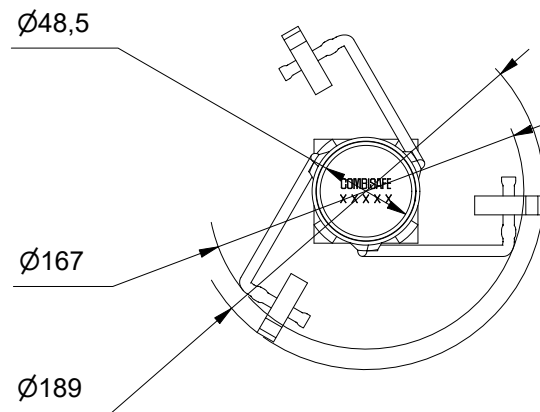
0,6 kg

EN 13374-A

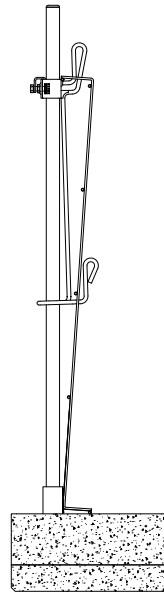
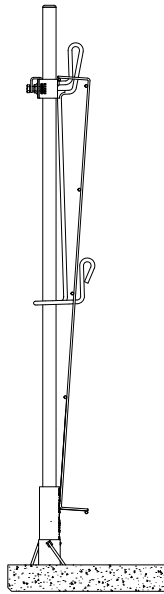
Item	Part numbe
1+2	10728
1	11570
2	11022
3	10730
4	100326



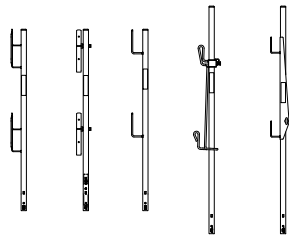
[mm]





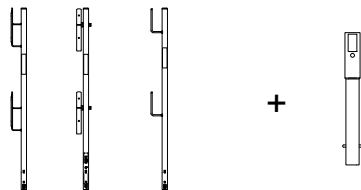


1102/1107/2000/1140/1155



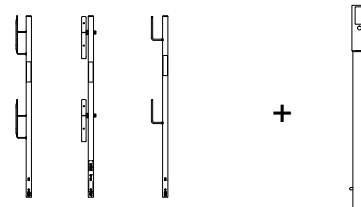
1102/1107/2000

1242



1102/1107/2000

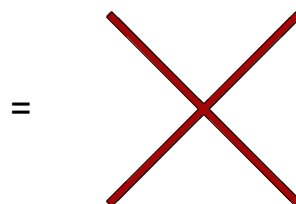
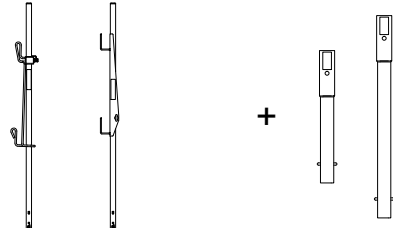
1245



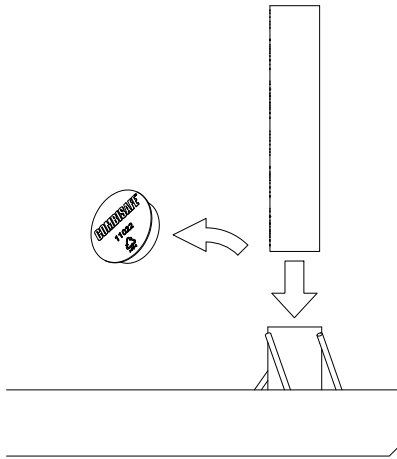
= c/c 1.2m

1140/1155

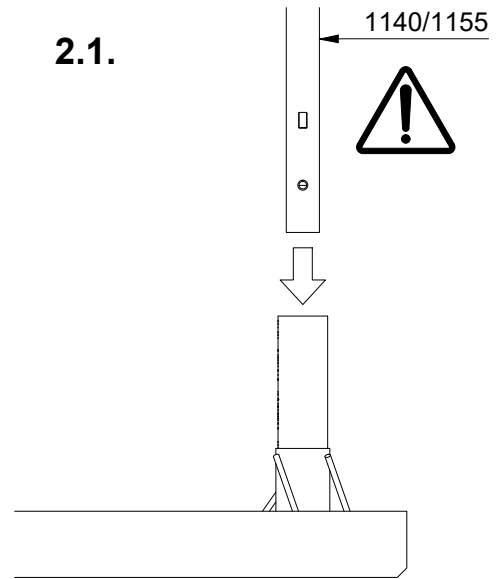
1242/1245



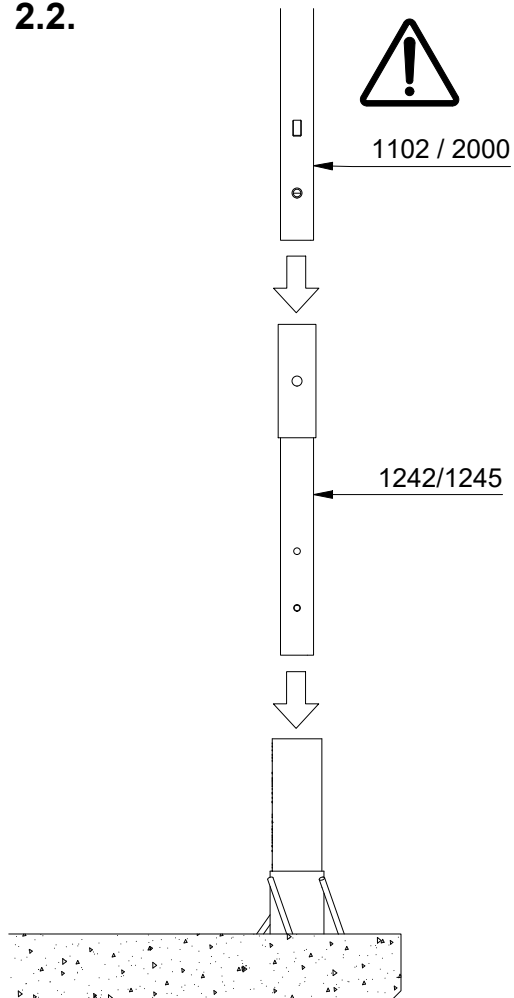
1.



2.1.



2.2.



3.

