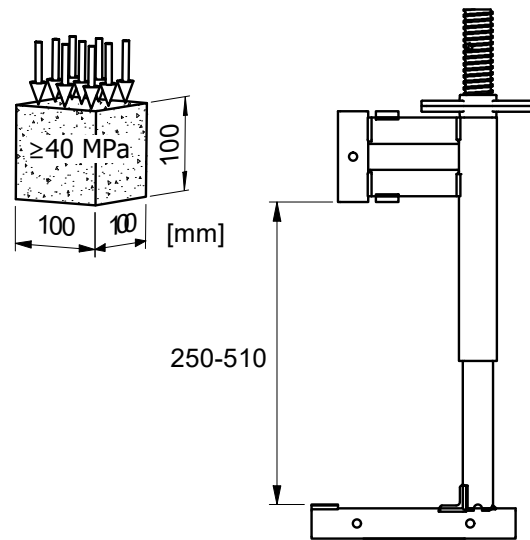
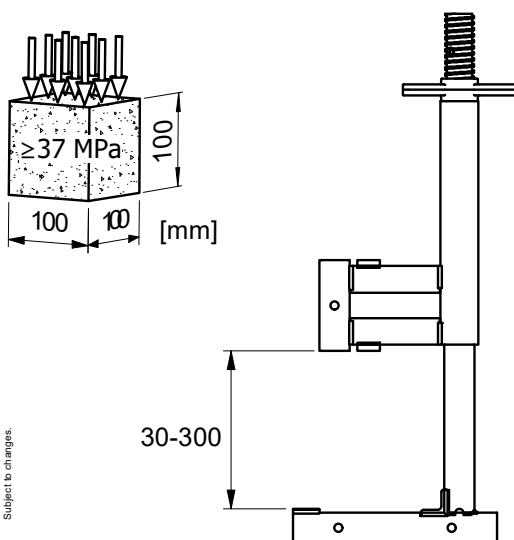
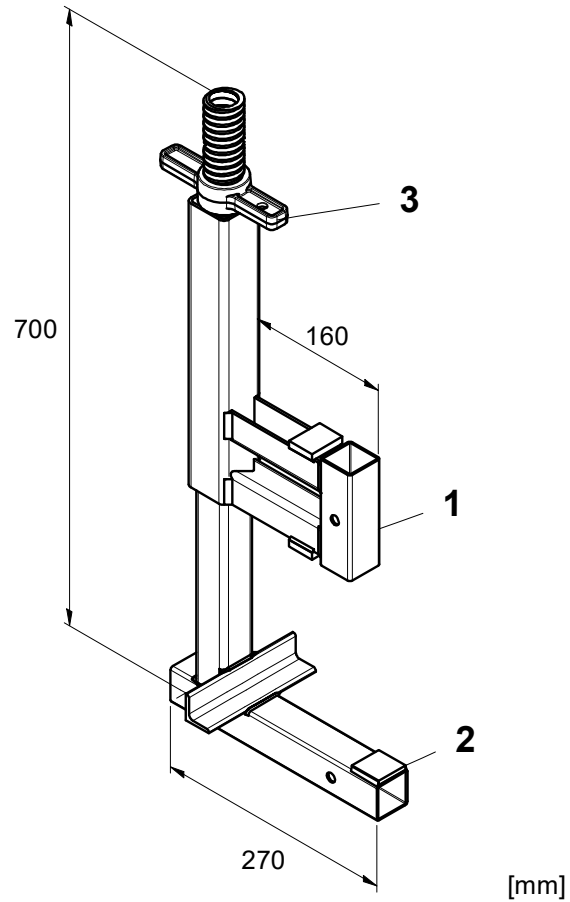
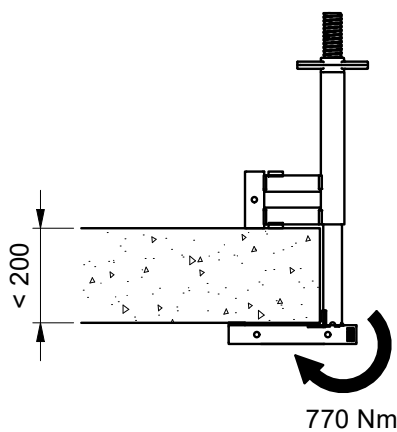


## SMB SYSTEM S

6,0 kg

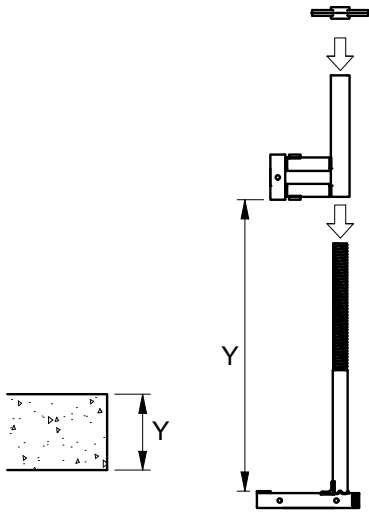
EN 13374-A

Item	Part number
1	10385
2	10386
3	10388



TI 1550 2210  
Subject to changes.

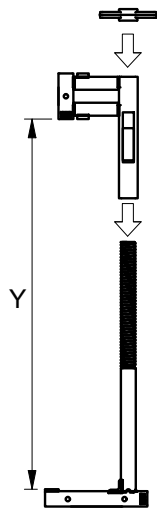
1.



[mm]

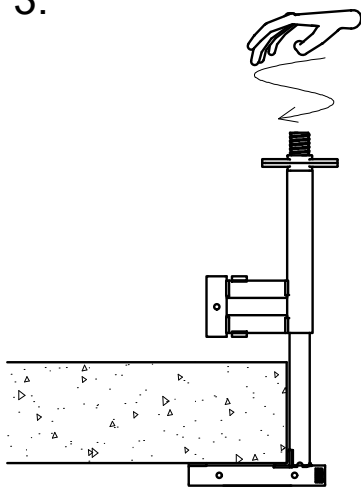
$Y = 30-300$

2.

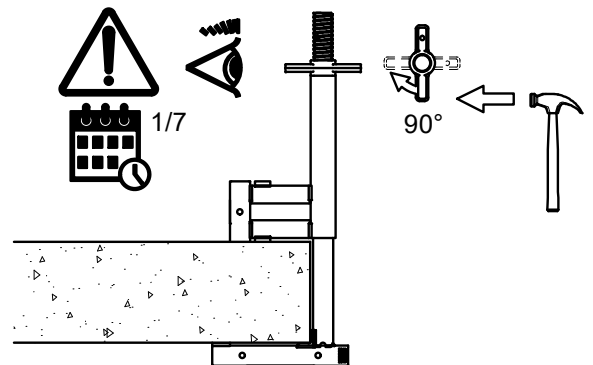


$Y = 250-510$

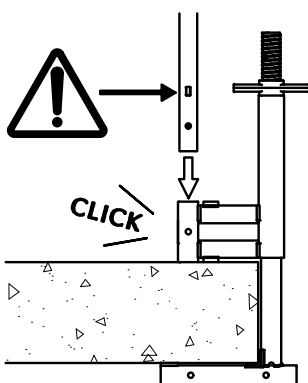
3.



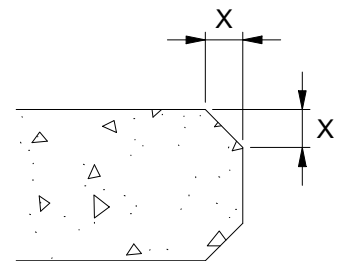
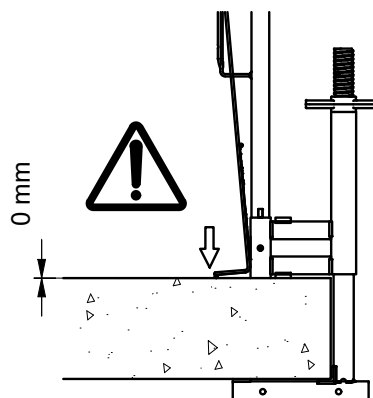
4.



5. NB!



6. NB!



$X \leq 10 \rightarrow \text{OK!}$   
 $X > 10 \rightarrow \text{NOK!}$  [mm]