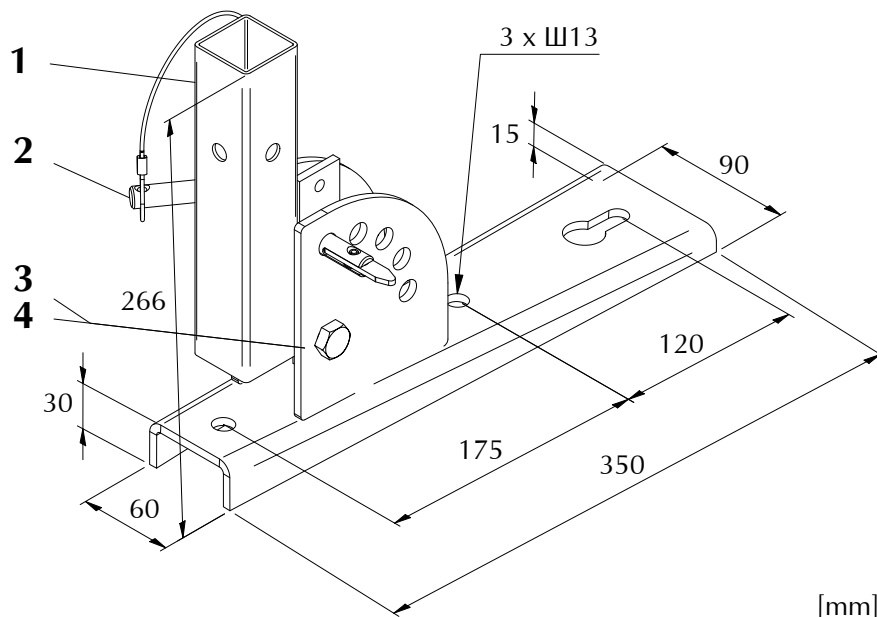


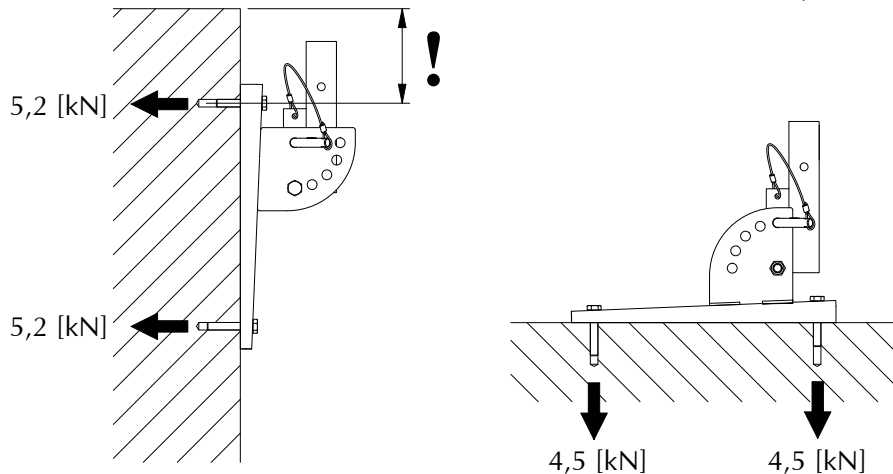
SMB SYSTEM S

3,1 kg
EN 13374 A-B-C

Item	Part number
1	10185
2	1900
3	100025, ISO 7040 - M12
4	100297, ISO 4014 - M12 x 70

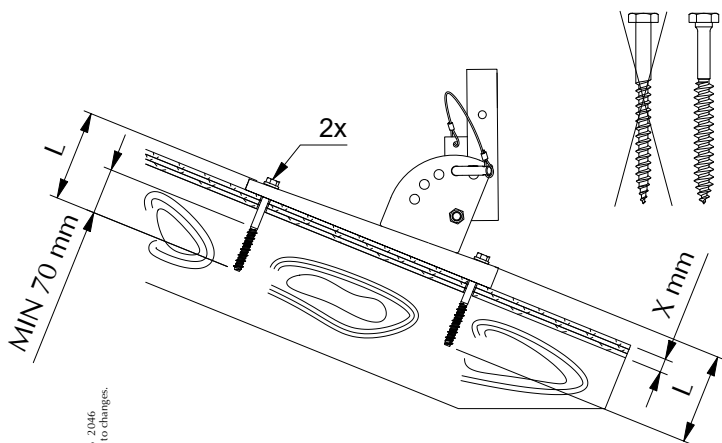


EN 13374-A



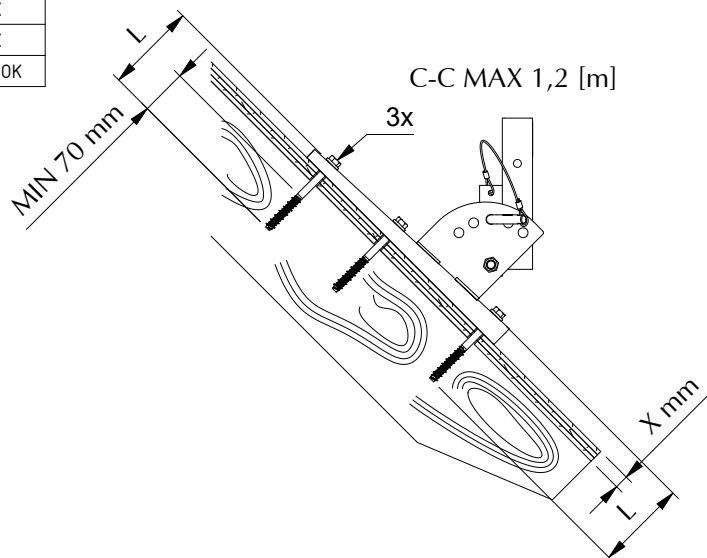
EN 13374-B

	EN 13374-B	EN 13374-C
SFS Intec WFD-T-H17 - 12 x L	OK	OK
Würth ASSY-3.0-SK-AW50 - 10 x L	OK	OK
Hilti S-WS22C 10 x L	OK	NOT OK



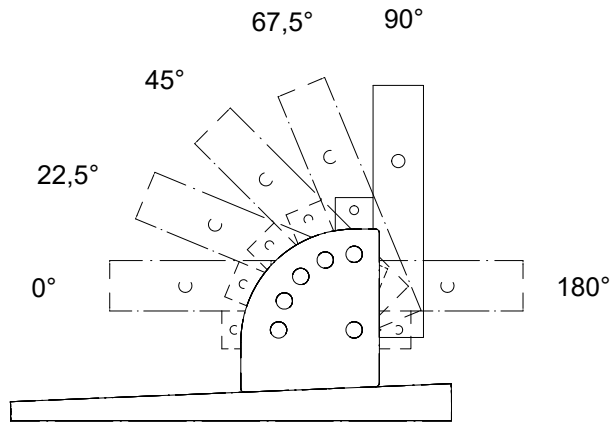
Min. L = 100 + X [mm]

EN 13374-C

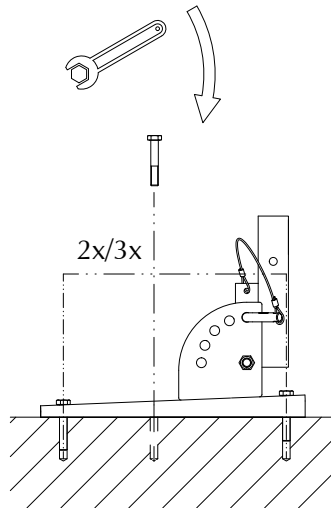


Min. L = 100 + X [mm]

1.



2.



3.

NB!
1102/2000

