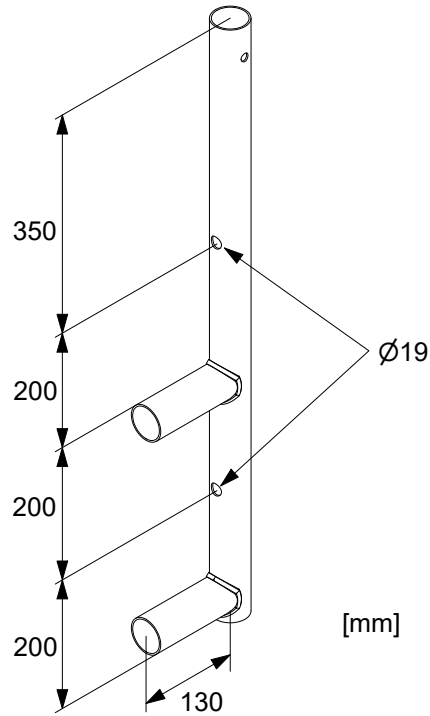


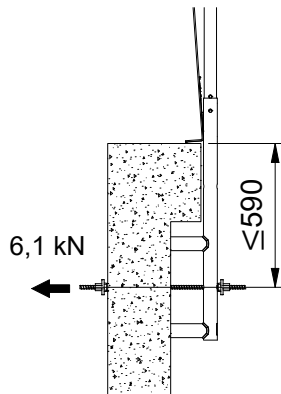
SMB SYSTEM C

3,8 kg

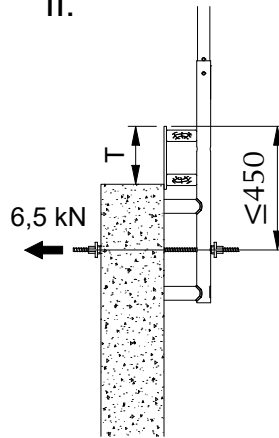
EN 13374-A



I.

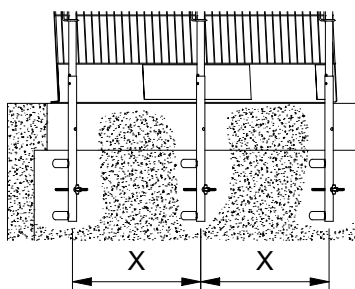


II.

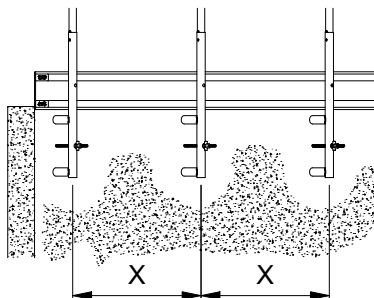


[mm]

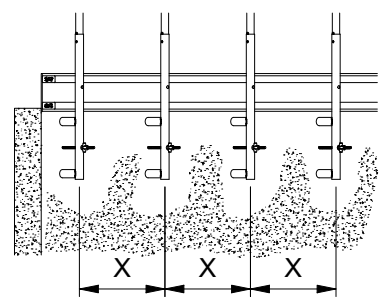
X [mm]	≤1200
--------	-------



T [mm]	≤110
X [mm]	≤1200

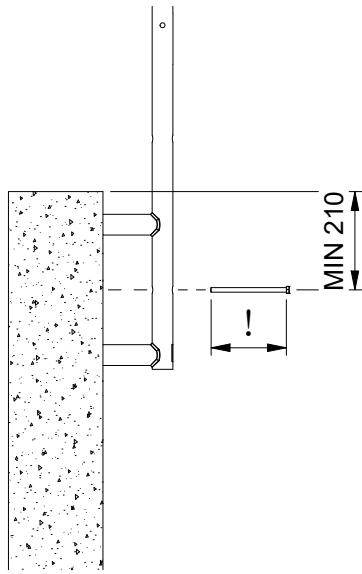


T [mm]	≤170
X [mm]	≤800

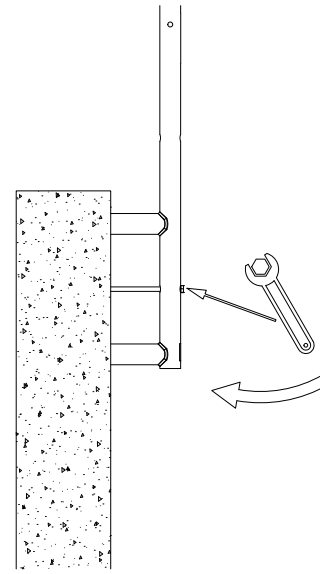


[mm]

1.

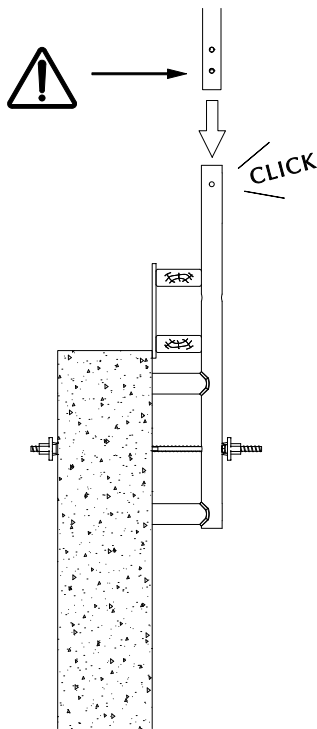


2.



[mm]

3.



NB!

