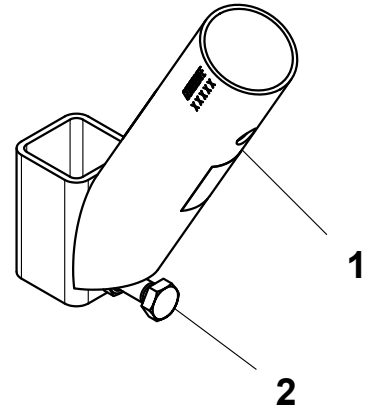
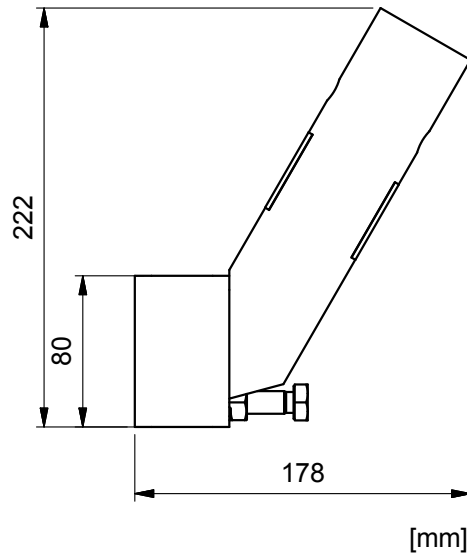


SMB SYSTEM C

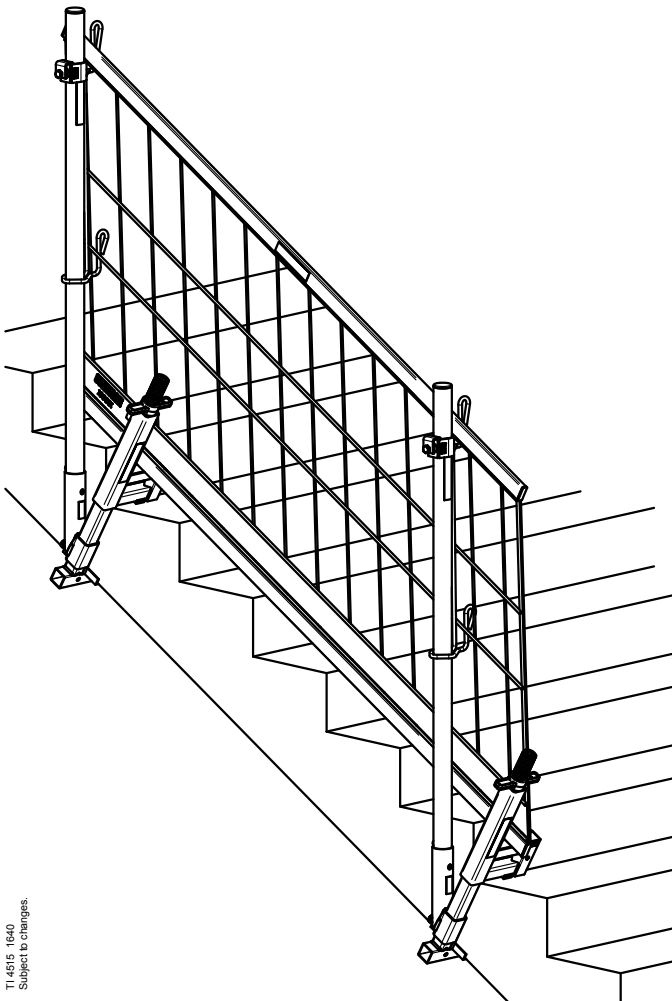
1.1 kg

EN 13374 -A

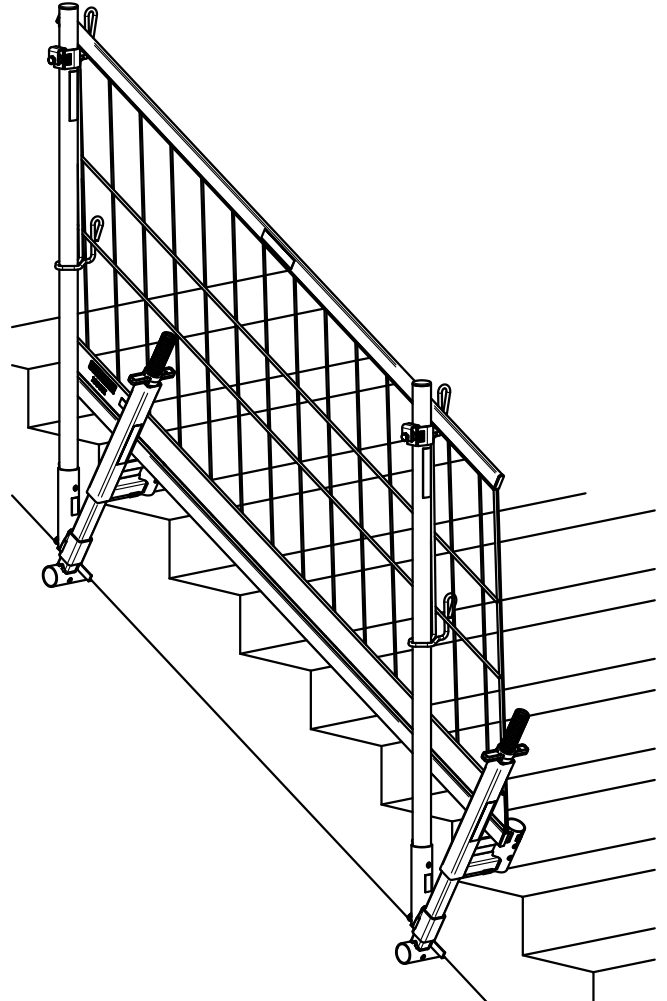
Item	Part number
1	10846
2	100551, DIN 933:1970 - M12x40 (W.A.F. 19)



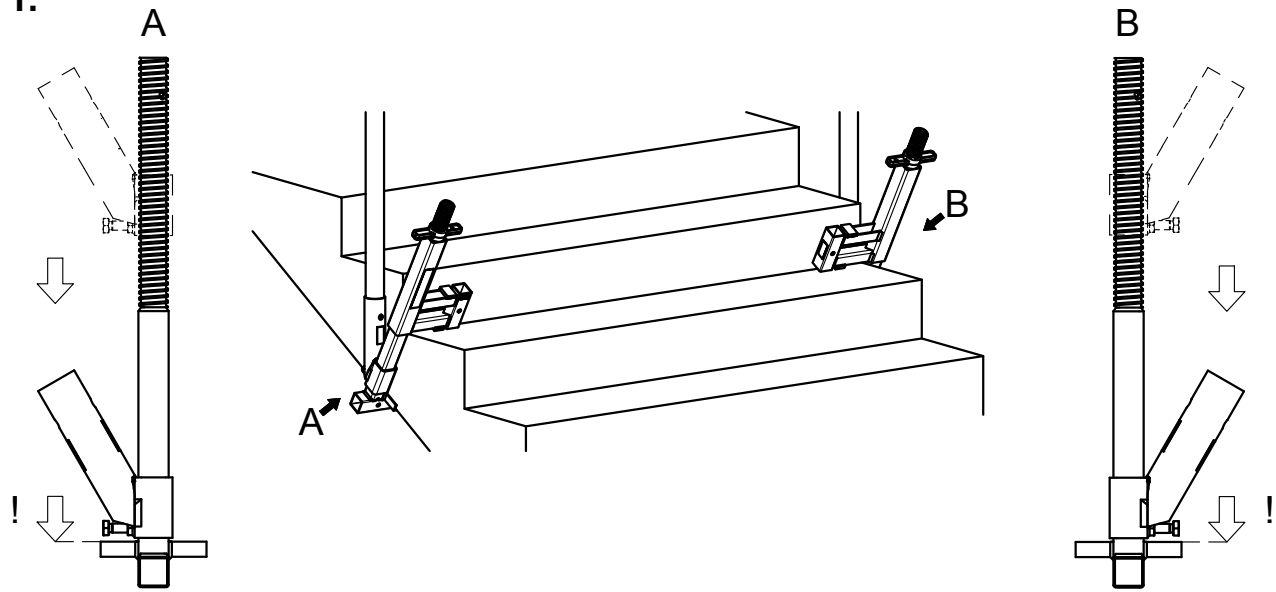
Multiclamp 1550



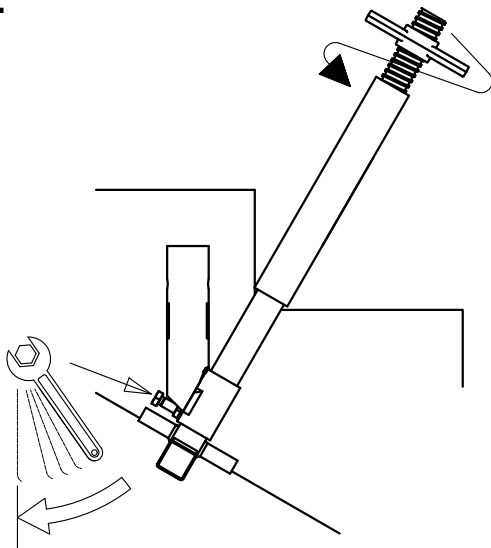
Multiclamp 4537



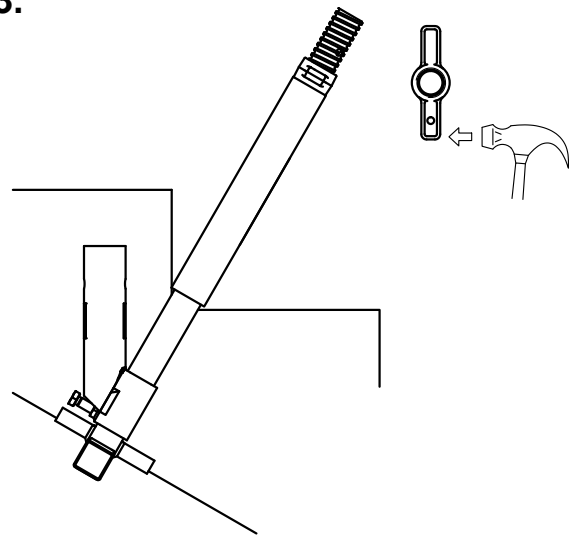
1.



2.



3.



4.

