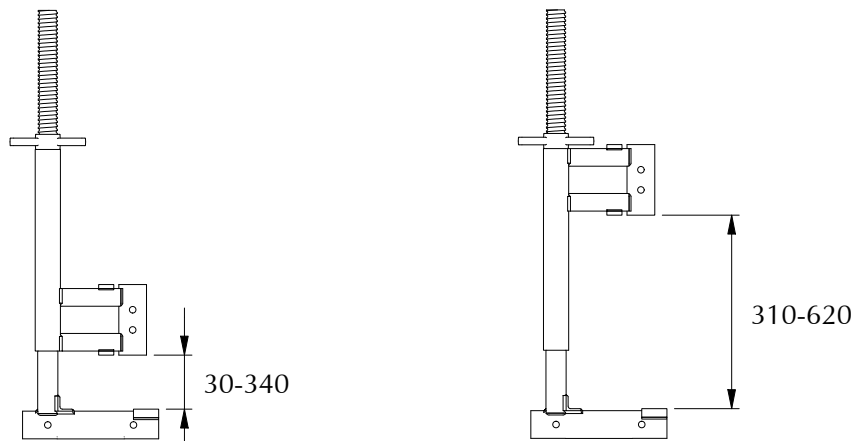
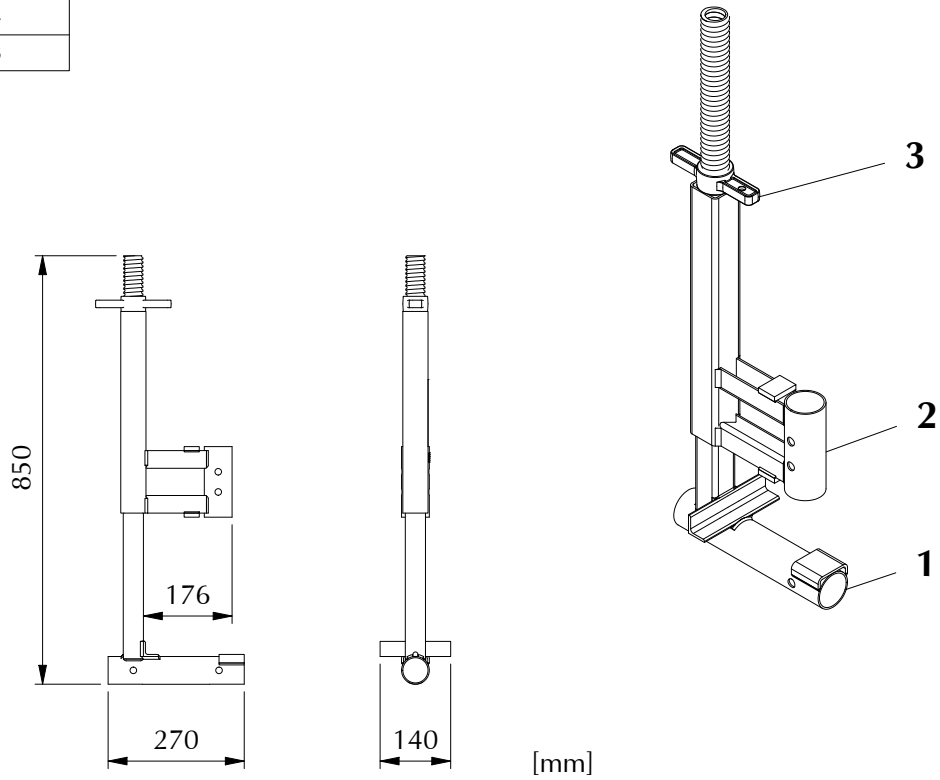


## SMB SYSTEM C

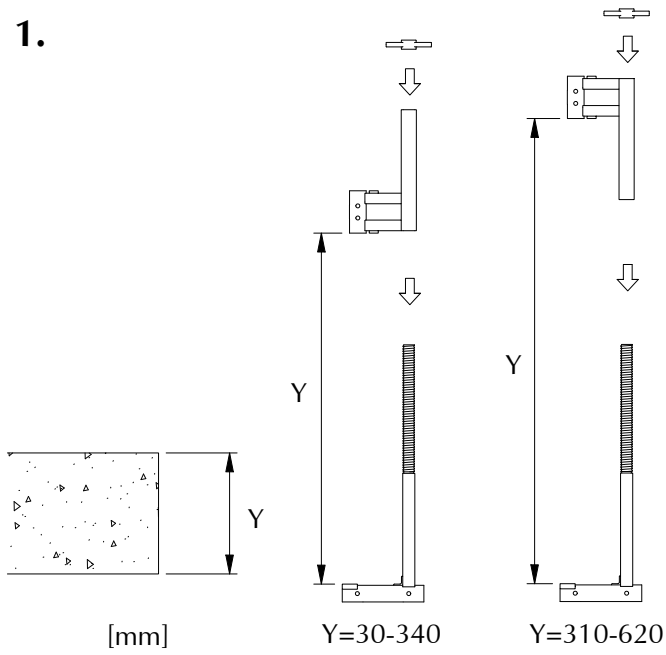
7,2 kg

EN 13374-A

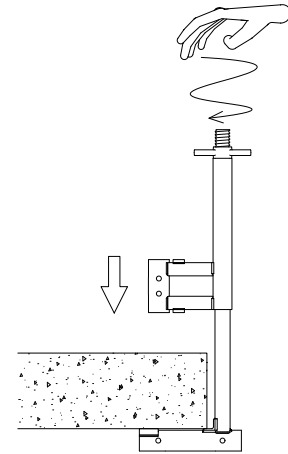
Item	Part number
1	10423
2	10424
3	10388



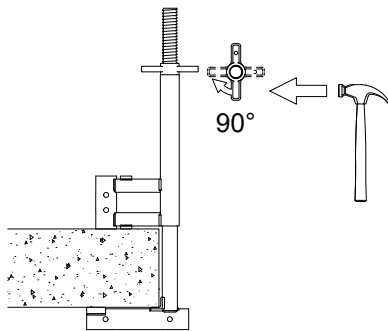
1.



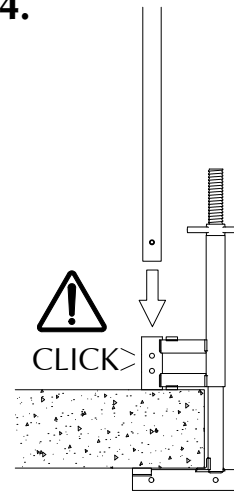
2.



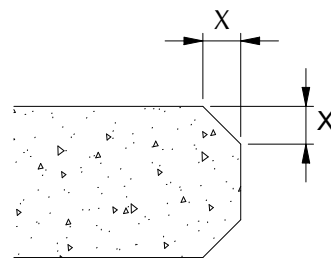
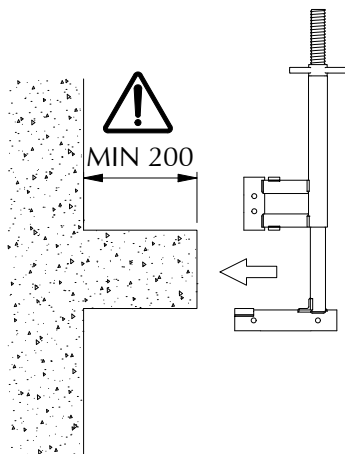
3.



4.



**NB!**



$X \leq 10 \rightarrow \text{OK!}$   
 $10 < X \leq 40 \rightarrow \text{TI 10891}$

[mm]