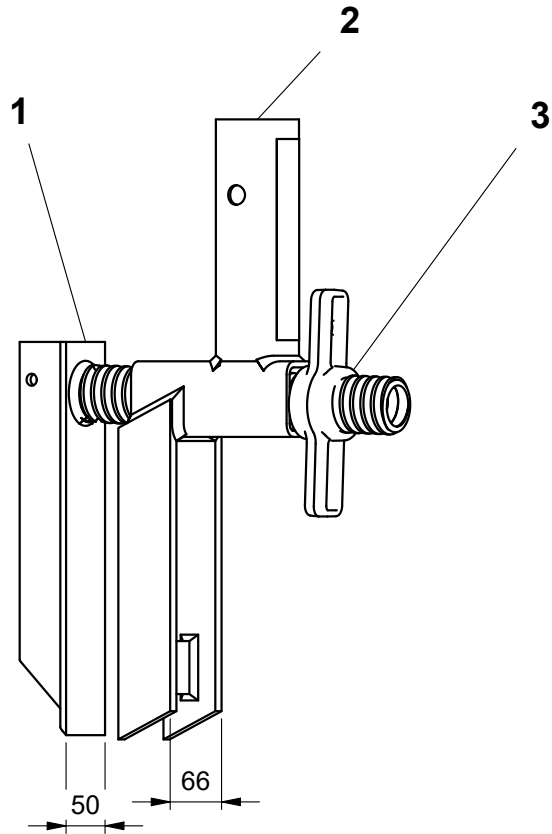


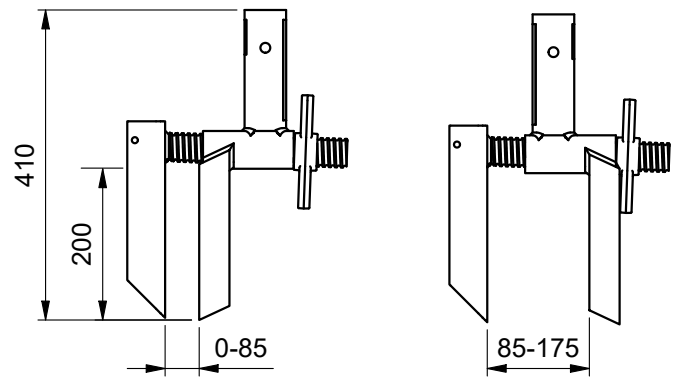
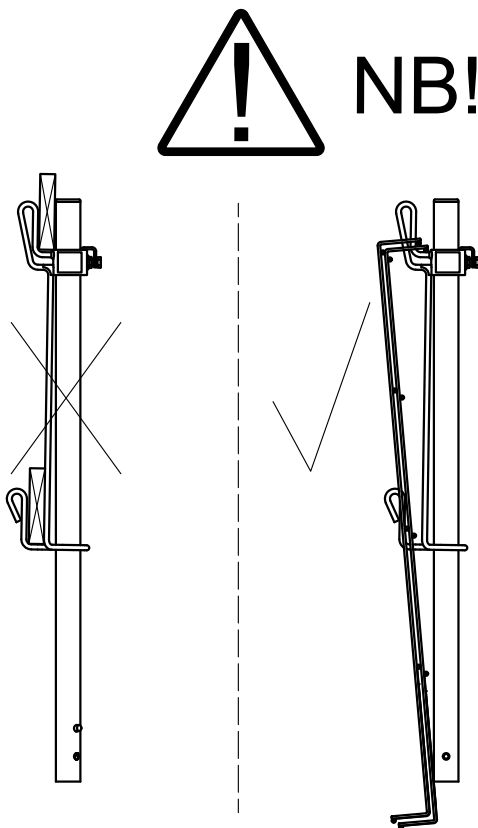
SMB SYSTEM C

4,8 kg

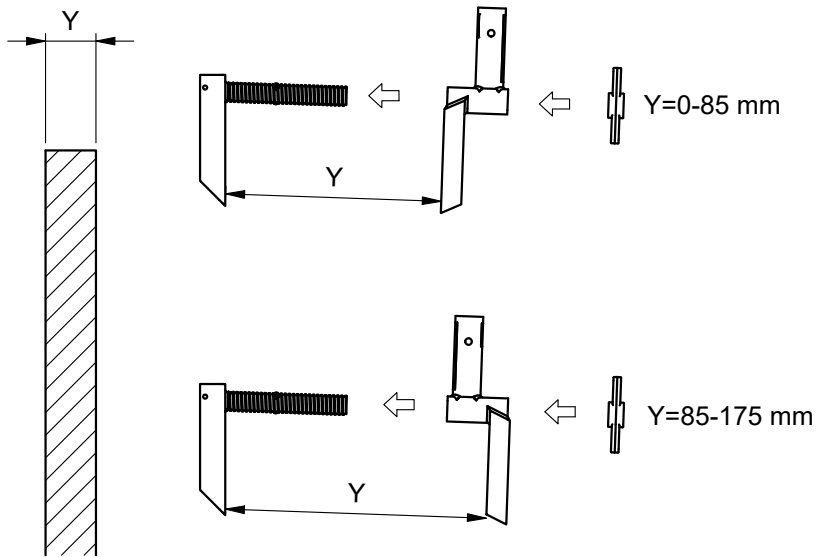
Item	Part number
1	10398
2	10346
3	10388



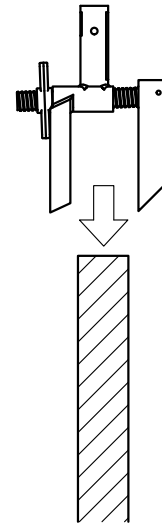
[mm]



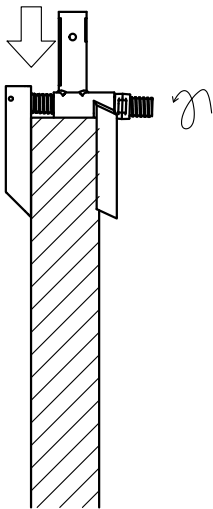
1.



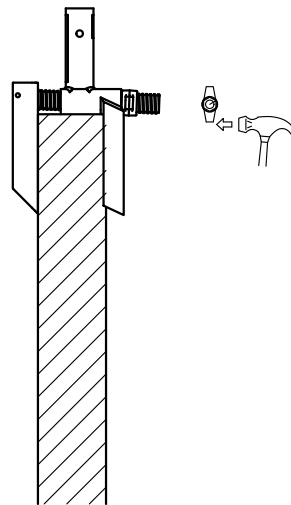
2.



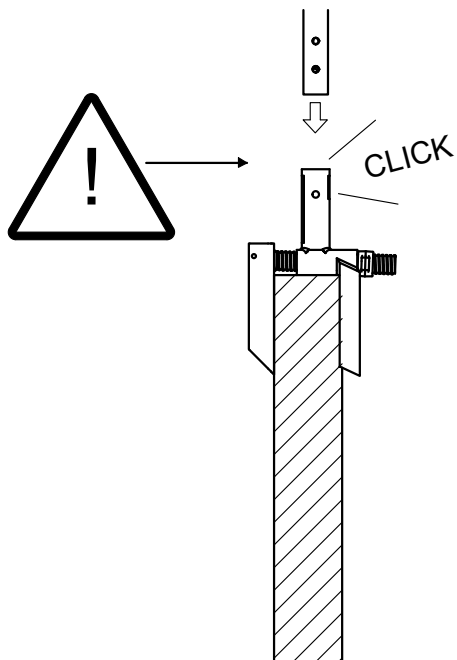
3.



4.



5.



6.

