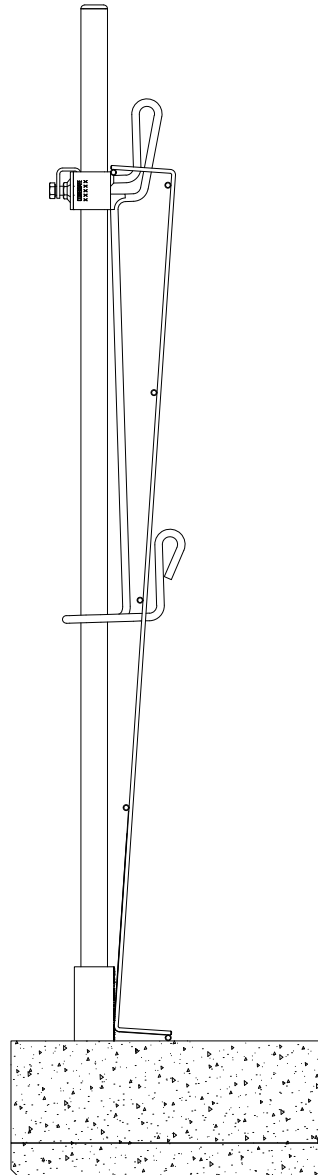
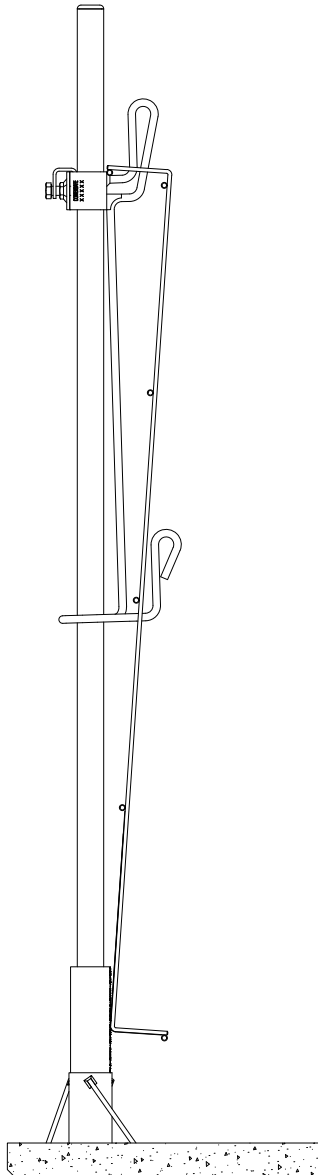
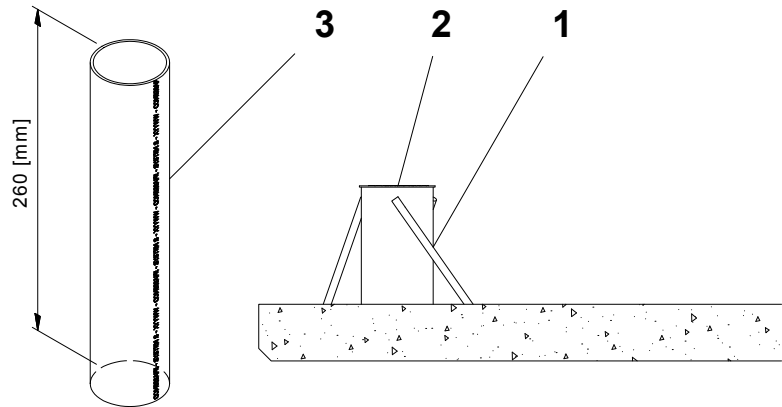


## SMB SYSTEM S

0,1 kg (10730)  
 OSHA 1926.502

Item	Part numbe
1+2	10728
1	11570
2	11022
3	10730

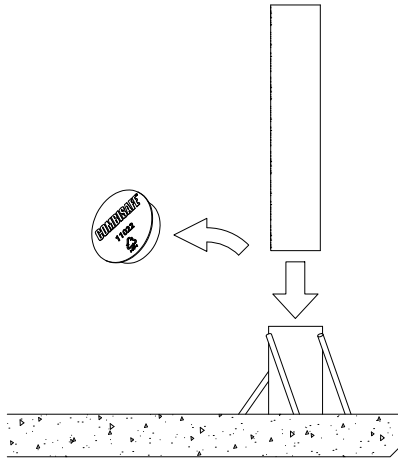


# TI M1233-2

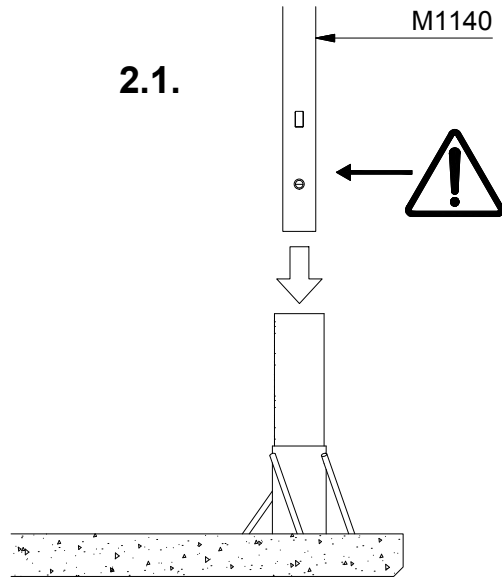
© Combisafe International AB



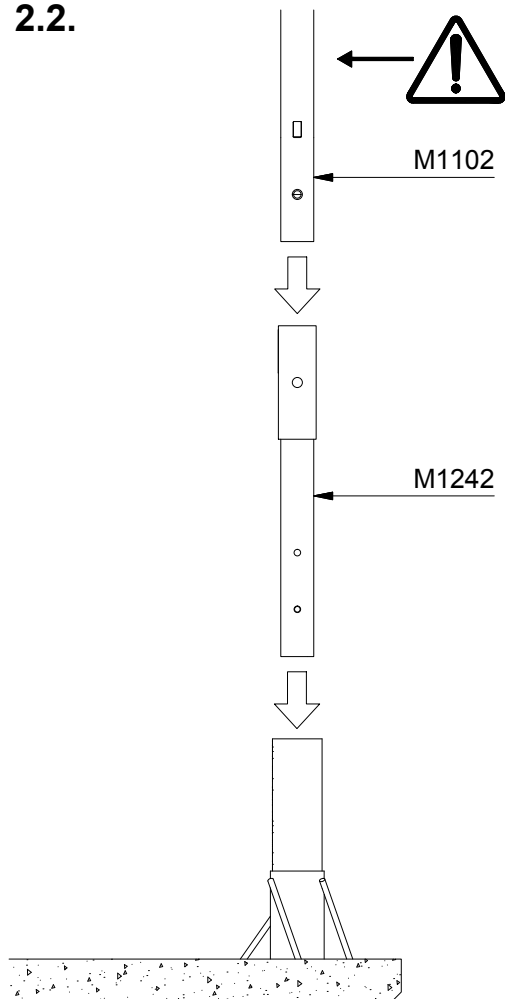
1.



2.1.



2.2.



3.

