

Miller SafEscape™ ELITE Rescue Descent Device (RDD)

Description

The Miller SafEscape ELITE is a Rescue Descent Device, providing automatic, controlled descent in emergency situations.

Materials

Housing:	Anodized Aluminum
Hoisting Wheel:	Glass Reinforced Nylon
Anchorage Ring:	Stainless Steel
Pigtail:	Stainless Steel
Rope Drum:	Aluminum
Fasteners:	Stainless Steel
Shaft & Gears:	Stainless Steel
Bushings:	Bronze
Lifeline:	10.5 mm Polyamide Kermantle Rope
Ladder Bracket:	Aluminum
Carabiner:	Zinc Plated Steel



Technical

Descent Loads:	1 person 66 – 330 lbs (30- 150kg)
	2 person 66 – 551 lbs (30 -250kg)
	2 person 66 – 496 lbs (30 – 225kg) when tested to CSA

Max. Descent Height:	1 person 1640 ft. (500m)
	2 person 656 ft. (200m)
	1 person 984 ft. (300m) when tested to CSA

Approved for Single or Multiple Use

Hoisting Capacity:	220 lbs. (100kg) up to 11 ft. (3.5m) max 10 lifts
In Emergency:	617 lbs. (280kg) up to 33 ft. (10m) max 1 lift
In Emergency (when tested to CSA):	496 lbs. (225kg) up to 33 ft. (10m) – max 1 lift

Descent Speed:	3.3 ft./sec (1m/s) at 220 lbs. (100kg)
-----------------------	--

Kit Weights*

Wind Energy Kit:	24.6 lbs (11kg)
Crane Rescue Kit:	18.1 lbs (8kg)
Basic Kit:	10.7 lbs (5kg)
Basic Kit w/Hoisting Wheel:	12.3 lbs (6kg)
Basic Kit w/Hoisting Wheel and Ladder Bracket:	16.3 lbs (7kg)

* Standard lengths start at 50 ft. (23kg) increasing by 25 ft. (11kg) increments up to 300 ft. (136kg). Add .048 lb (.022kg) per ft. to identify weights for longer rope kits. [Kit weights include product only. Weights do not include packaging materials.]

Additional Weights:

Humidity Resistant	
Storage Case	21.7 lbs. (10kg)
Wind Energy Kit w/Case – 50 feet	
SEWPKTC/50	46.3 lbs. (21kg)
Wind Energy Kit – 50 feet	
SEWPKT/50	24.6 lbs. (11kg)
Crane Rescue Kit – 50 ft	
SECRKT/50	18.1 lbs. (8kg)
SafEscape ELITE RDD	
SE/50	10.7 lbs. (5kg)
SafEscape ELITE RDD w/Wheel	
SEHW/50	12.3 lbs. (6kg)
SafEscape ELITE RDD w/Wheel and Ladder Bracket	
SEHWLB/50	16.3 lbs. (7kg)

Miller SafEscape Elite RDD Kits

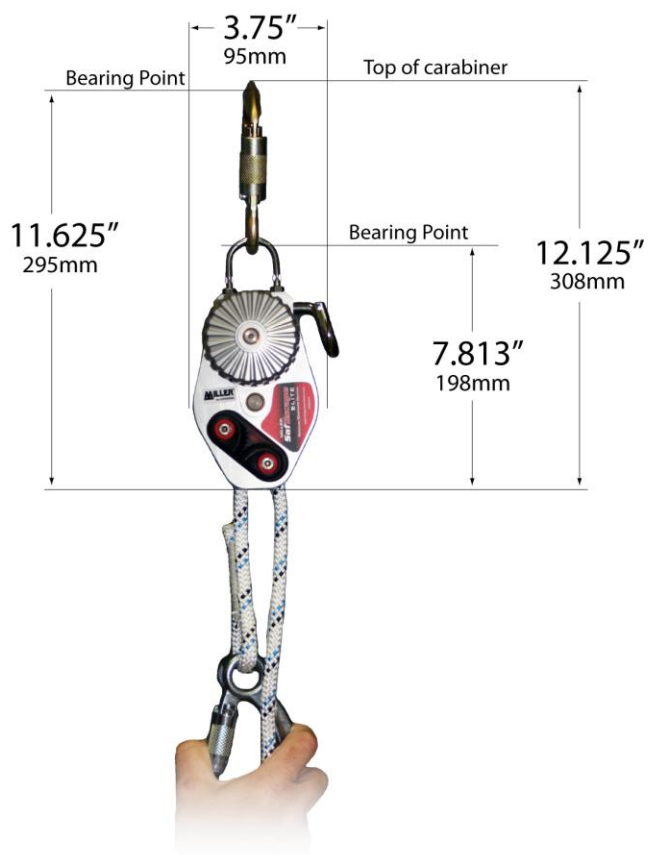
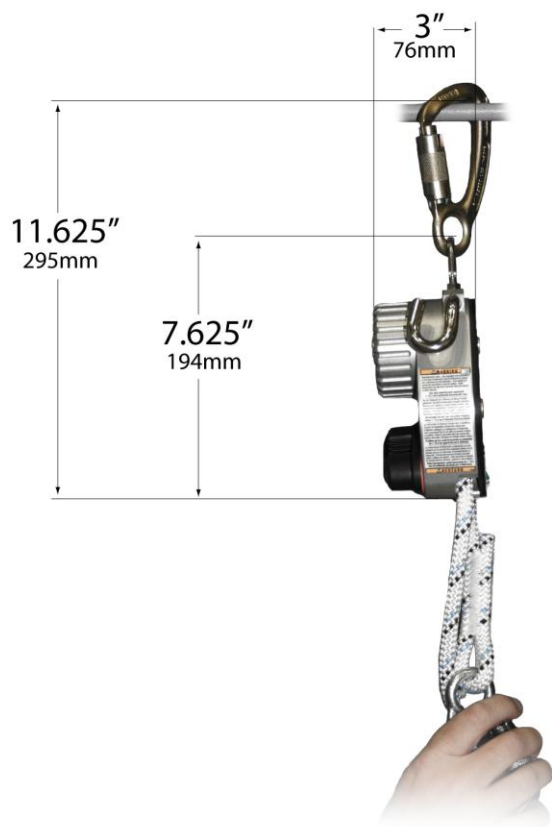
Wind Energy Kit SEWPKT/50FT	Includes SafEscape ELITE RDD, hoisting wheel, ladder bracket, T-bar, edge protector, 3 anchor slings, 3 carabiners, pulley, adjustable rope anchor, rescue rope grab, accessory bag and kit bag
Crane Rescue Kit SECRKT/50FT	Includes SafEscape ELITE RDD, rescue harness, cross-arm strap, retrieval yoke and rescue bag.
Miller SafEscape Elite RDD Basic Models	
Basic Kit SE/50FT	Includes SafEscape ELITE RDD, anchor slings and rescue bag.
Basic Kit w/Hoisting Wheel SEHW/50FT	Includes SafEscape ELITE RDD, hoisting wheel, anchor slings and rescue bag.
Basic Kit w/Hoisting Wheel and Ladder Bracket SEHWLB/50FT	Includes SafEscape ELITE RDD, hoisting wheel, ladder bracket, anchor slings, adjustable rope anchor and rescue bag.

Certification

OSHA, ANSI/ASSE Z359.4, prEN341:2008/1A, EN1496:2007/B, CE0123, ISO22159:07/1/A, CSA Z259.2.3-12

Miller SafEscape™ ELITE Rescue Descent Device (RDD)

Basic Kit
SE/50FT



Miller SafEscape™ ELITE Rescue Descent Device (RDD)



**Basic Kit with
Hoisting Wheel**
SEHW/50FT



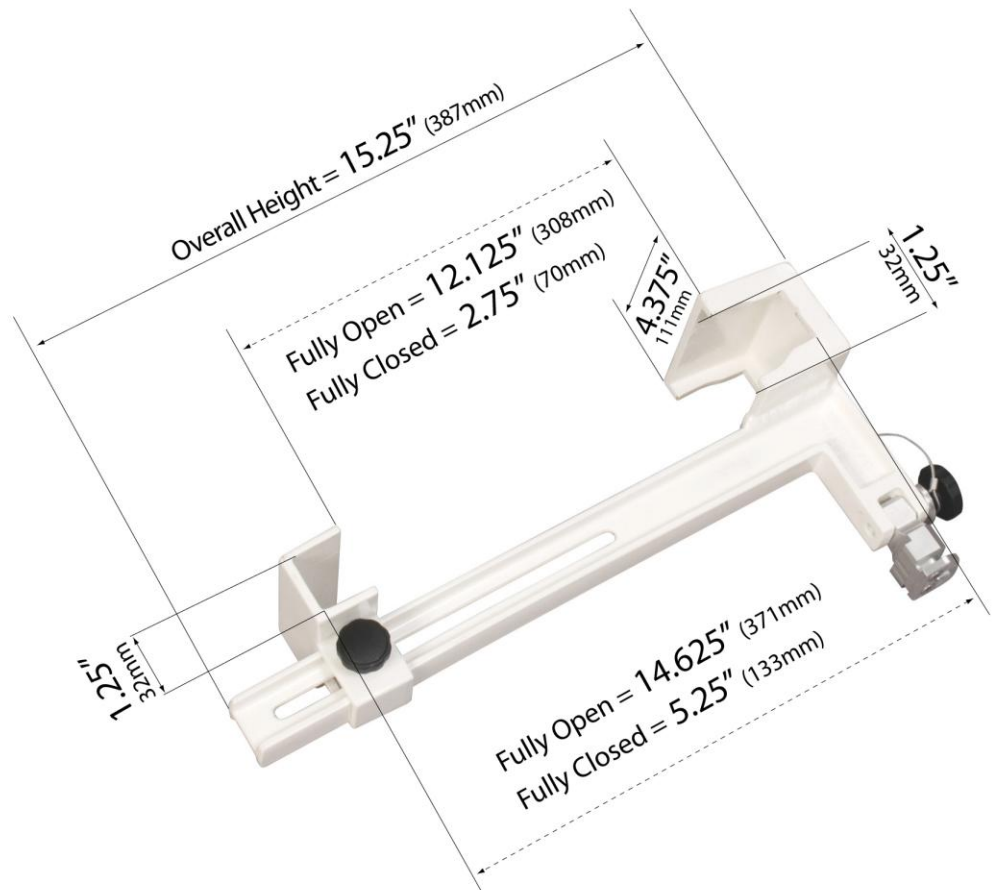
Miller SafEscape™ ELITE Rescue Descent Device (RDD)



Overall Front of wheel
to back of bracket
• 10.563" (268mm)

**Basic Kit with Hoisting
Wheel & Ladder Bracket**
SEHWLB/50FT

See dimensions on pg 3 for
SafEscape ELITE and Wheel



by Honeywell

Toll Free 800.873.5242 (press 4) • hsptechsupport@honeywell.com • www.millerfallprotection.com

⚠ WARNING! THIS DOCUMENT PROVIDES AN OVERVIEW OF FALL PROTECTION PRODUCTS AVAILABLE FROM HONEYWELL AND CARE HAS BEEN TAKEN TO ASSURE THE ACCURACY OF THE DATA. IT DOES NOT PROVIDE IMPORTANT PRODUCT WARNINGS AND INSTRUCTIONS. HONEYWELL RECOMMENDS ALL USERS OF FALL PROTECTION EQUIPMENT UNDERGO THOROUGH TRAINING, AND THAT ALL WARNINGS AND INSTRUCTIONS PROVIDED WITH THE PRODUCTS BE THOROUGHLY READ AND UNDERSTOOD PRIOR TO EACH USE. FAILURE TO READ AND FOLLOW ALL PRODUCT WARNINGS AND INSTRUCTIONS COULD RESULT IN SERIOUS INJURY OR DEATH.