

GasAlert Quattro

Multi-Gas (1-4) Detector



H₂S, CO, O₂, LEL



IntelliFlash

Visual auditing, easy compliance

Rugged and reliable, the GasAlertQuattro four-gas detector combines a comprehensive range of features with simple one-button operation. With flexible power options, the GasAlertQuattro is always ready. The graphic LCD displays easy to identify icons that indicate operational information, such as bump test and calibration status for simplified onsite auditing. IntelliFlash provides continuous visual confirmation of detector operation and compliance. Suited to a wide range of industrial applications including confined space entry, the GasAlertQuattro is fully compatible with BW's MicroDock II automatic test and calibration system.



Meets ACGIH 1 ppm H₂S TWA recommendations.

Visit gasmonitors.com to download the latest Fleet Manager II update.

Standard Package Contents:

- GasAlertQuattro
- Rechargeable battery pack or alkaline pack with three AA batteries
- Charger wall plug (with rechargeable battery option)
- Calibration cap and hose
- Reversible screwdriver
- Manual, materials booklet and technical reference guide

General Specifications

Size	5.1 x 3.2 x 1.9 in. / 13.0 x 8.1 x 4.7 cm	
Weight	- 11.15 oz. / 316 g (with rechargeable battery pack) - 11.92 oz. / 338 g (with alkaline battery pack)	
Typical battery life	AA alkaline:	14 hours (+68 to 122°F / +20 to 50°C)
	Rechargeable:	20 hours (+68 to 122°F / +20 to 50°C) 18 hours (-4 to +32°F / -20 to 0°C)
Certifications and approvals		Class I, Div. 1, Gr. A, B, C, D
	ATEX:	CE  II 1 G Ga Ex ia IIC T4
	IECEX:	Ga Ex ia IIC T4
	INMETRO:	BR-Ex ia IIC T4
Warranty	Full two year warranty including all sensors	

6432-3

GasAlertQuattro 4-Gas Detector	Alkaline Version*	Rechargeable Version*
%LEL, O ₂ , H ₂ S, CO	QT-XWHM-A-Y-NA	QT-XWHM-R-Y-NA

GasAlertQuattro 3-Gas Detector	Alkaline Version*	Rechargeable Version*
%LEL, O ₂ , H ₂ S	QT-XWH0-A-Y-NA	QT-XWH0-R-Y-NA
%LEL, O ₂ , CO	QT-XW0M-A-Y-NA	QT-XW0M-R-Y-NA
O ₂ , H ₂ S, CO	QT-X0HM-A-Y-NA	QT-X0HM-R-Y-NA

GasAlertQuattro 2-Gas Detector	Alkaline Version*	Rechargeable Version*
%LEL, O ₂	QT-XW00-A-Y-NA	QT-XW00-R-Y-NA
H ₂ S, CO	QT-00HM-A-Y-NA	QT-00HM-R-Y-NA
O ₂ , H ₂ S	QT-X0H0-A-Y-NA	QT-X0H0-R-Y-NA
O ₂ , CO	QT-X00M-A-Y-NA	QT-X00M-R-Y-NA

GasAlertQuattro 1-Gas Detector	Alkaline Version*	Rechargeable Version*
O ₂	QT-X000-A-Y-NA	QT-X000-R-Y-NA
H ₂ S	QT-00H0-A-Y-NA	QT-00H0-R-Y-NA
CO	QT-000M-A-Y-NA	QT-000M-R-Y-NA

*Black housing available with all GasAlertQuattro configurations. To order a unit with black housing replace "-Y-" with "-B-".

GasAlertQuattro Region Codes

For orders outside North America, change order number suffix "-NA" to:

"-EU" Europe	"-CN" China/New Zealand
"-UK" United Kingdom	"-OR" Other region with 3-pin UK plug
"-AU" Australia	"-OE" Other region with 2-pin UK plug

Gas Legend

%LEL	Combustible (W)
O ₂	Oxygen (X)
H ₂ S	Hydrogen sulfide (H)
CO	Carbon monoxide (M)

GasAlertQuattro (continued)

Confined Space Kits	Order Number
GasAlertQuattro Confined Space Kit - includes GasAlertQuattro detector (% LEL, O ₂ , H ₂ S, CO) and standard package contents, plus rechargeable battery pack and wall charging adapter, alkaline battery pack and AA batteries, manual aspirator kit, IR Connectivity Kit with Fleet Manager II software, sampling probe, calibration cap with 1 ft. / 0.3 m hose, calibration gas (2.5% CH ₄ , 18% O ₂ , 25 ppm H ₂ S, 100 ppm CO), and 0.5 LPM regulator <i>Motorized sampling pump sold separately.</i>	QT-XWHM-R-Y-NA-CS
GasAlertQuattro Deluxe Confined Space Kit - includes manual aspirator kit, IR Connectivity Kit with Fleet Manager II software, sampling probe, carrying holster, auxiliary filter kit, calibration cap with 1 ft. / 0.3 m hose and 0.5 LPM regulator <i>Detector, calibration gas and motorized sampling pump sold separately.</i>	QT-CK-DL
Carrying case for GasAlertQuattro with foam insert	QT-CK-CC
Carrying & Protective Accessories	Order Number
Concussion-proof boot	GA-BQT
Carrying holster	GA-HQT
Auxiliary filter (LCD protector) - includes five filters	QT-AF-K1
Replacement auxiliary filter for use with QT-AF-K1 (kit of 10)	QT-SS-AF-K1
Vehicle attachment (compatible with single T-pattern or 4-hole AMPS mounting system)	QT-VMB-1
Replacement alligator-style clip (stainless steel with screw)	XT-AG-1
Neck strap with safety release	GA-NS-1
Short strap (6 in. / 15.2 cm)	GA-LY-1
Extension strap (4 ft. / 1.2 m)	GA-ES-1
Chest harness	GA-CH-2
Sampling & Testing Equipment	Order Number
SamplerPak motorized sampling pump kit with alkaline batteries	GA-SPAK
Deluxe SamplerPak motorized sampling pump kit with alkaline batteries, rechargeable batteries and battery charger	GA-SPAK-NA
Carrying case for motorized sampling pump and/or detector	SPAK-CC1
Manual aspirator pump	QT-AS01
Sample probe with hydrophobic and particulate filters	GA-PROB1-1
Filter and gasket replacements for sample probe (GA-PROB1-1)	GA-PROB-FIL-K1
Metallic sintered particulate filter	GA-MFILTER
Sampling float	GA-FLOAT
Replacement test cap and hose	QT-TC-1

Note: For complete list of Sampling & Testing Equipment, see the Sampling Equipment section.



Confined Space Kit
QT-XWHM-R-Y-NA-CS
Order pump separately



Concussion-Proof Boot
GA-BQT



Carrying Holster
GA-HQT



Auxiliary filter
QT-AF-K1
Protects LCD and includes five filters



SamplerPak Kits
Kits include motorized sampling pump, batteries and battery charger (if specified). See SamplerPak section for kit contents, accessories and spares; detector sold separately.

GasAlertQuattro (continued)

Power Accessories	Order Number
Rechargeable battery pack, yellow	QT-BAT-R01
Rechargeable battery pack, black	QT-BAT-R01B
Alkaline battery pack with batteries, yellow	QT-BAT-A01
Alkaline battery pack with batteries, black	QT-BAT-A01B
Multi-unit (5) cradle charger	QT-C01-MC5
Multi-unit (5) wall outlet power adaptor	GA-PA-1-MC5-NA*
12-24 V _{DC} vehicle power adaptor	GA-VPA-1
12-24 V _{DC} direct-wire power adaptor	GA-PA-3
Replacement wall outlet power adaptor	GA-PA-1-NA*

*For regions outside North America replace "-NA" with: "-EU" for Europe, "-UK" for United Kingdom and "-AU" for Australia/China

Datalogging Accessories	Order Number
IR connectivity kit with Fleet Manager II software	GA-USB1-IR



Rechargeable / Alkaline Battery Packs
QT-BAT-R01 / QT-BAT-A01



Vehicle Power Adaptor
12-24 V_{DC}
GA-VPA-1



Multi-Unit Cradle Charger
QT-C01-MC5
Simultaneously charge five detectors and/or batteries



Direct-Wire Power Adaptor
12-24 V_{DC}
GA-PA-3
Used for emergency vehicles and other applications



Multi-Unit Power Adaptor
GA-PA-1-MC5-NA*
Simultaneously charge five detectors and/or batteries



IR Connectivity Kit
GA-USB1-IR
Use for data download and instrument set-up options



Vehicle attachment
QT-VMB-1
Compatible with single T-pattern or 4-hole AMPS mounting system (not included)

GasAlertQuattro (continued)

MicroDock II

Order Number

MicroDock II Automated Calibration and Testing Station:

- Base station and GasAlertQuattro docking module with charging cable
- Base station and GasAlertQuattro docking module without charging cable
- GasAlertQuattro docking module with charging cable
- GasAlertQuattro docking module without charging cable

DOCK2-2-1C1N-00-G
DOCK2-2-1N-00-G
DOCK2-0-1C1N-00-G
DOCK2-0-1N-00-G

Replacement Sensor Screens

Order Number

Replacement quad sensor screen (kit of 2)

QT-SS

Replacement quad sensor screen (kit of 10)

QT-SS-K1

Replacement Sensors

Order Number

Replacement combustible (% LEL) sensor

SR-W04-75C

Replacement oxygen (O₂) sensor

SR-X10-C1

Replacement hydrogen sulfide (H₂S) sensor

SR-H04-SC

Replacement carbon monoxide (CO) sensor

SR-M04-SC

Dummy sensor for one oxygen (O₂), hydrogen sulfide (H₂S) or carbon monoxide (CO) location

SR-DUMM1

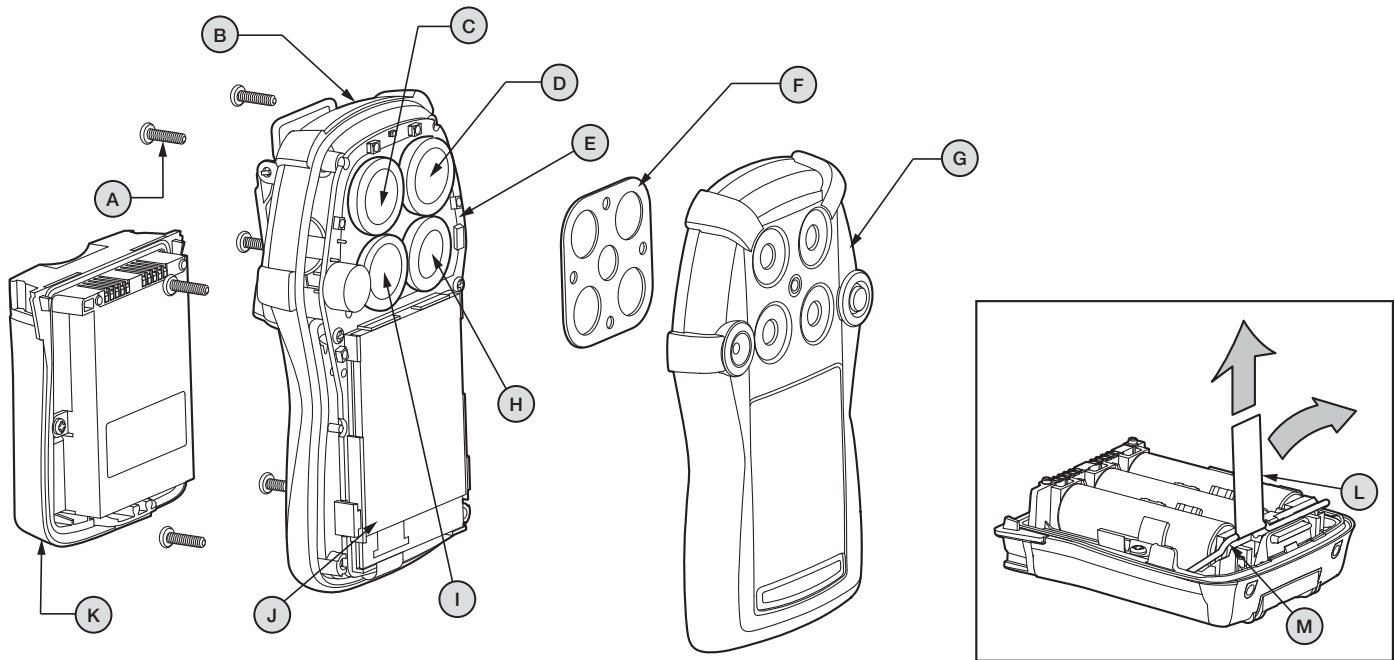
Dummy sensor for the combustible (LEL) location

SR-DUMM2

Calibration & Testing Equipment

For calibration and testing equipment for this product, please see pages 86-89.

GasAlertQuattro (continued)



Legend	Service Parts	Order Number
G	Replacement front enclosure (yellow)	QT-FC1
	Replacement front enclosure (black)	QT-FC1B
B	Replacement back enclosure (yellow) with screws	QT-BC1
	Replacement back enclosure (black) with screws	QT-BC1B
E	Replacement main PCB and sensor PCB kit	QT-PCB-K1
F	Replacement quad sensor screen (kit of 2)	QT-SS
	Replacement quad sensor screen (kit of 10)	QT-SS-K1
A	Replacement screw kit (kit of 40 screws)	QT-SCREW-K1
J	Replacement LCD kit	QT-LCD-K1
	Replacement vibration motor	GA-VM-2

How to Replace a Sensor

1. With detector OFF, remove battery pack from back of instrument
2. Use No. 1 Phillips screwdriver to remove 6 screws from back enclosure (B)
3. Lift front enclosure (G) straight up
4. Remove sensor (C, D, H, I) from PCB (C) by pulling straight up
5. Insert new sensor (C, D, H, I) into socket
6. Replace front enclosure (G)
7. Replace 6 screws in back enclosure (B) and hand-tighten until firm

How to Replace the Sensor Screen

1. With detector OFF, remove battery pack from back of instrument
2. Use No. 1 Phillips screwdriver to remove 6 screws from back enclosure (B)
3. Lift front enclosure (G) straight up
4. Remove sensor screen (F) from front enclosure (G) by pulling straight up
5. Insert new sensor screen (F) into front enclosure (G)
6. Replace front enclosure (G)
7. Replace 6 screws in back enclosure (B) and hand-tighten until firm

How to Replace the Alkaline Batteries in the Battery Pack

1. With detector OFF, remove battery pack from back of instrument
2. On battery pack, pull on tab (L) until ejector bar (M) releases from the ejector bar holder
3. Pull ejector bar (M) straight up (on side opposite of tab) until batteries dislocate from battery pack
4. Insert new batteries, one by one, inserting positive (+) end first
5. Important: push the ejector bar (M) into the lever holder until fully secured*
6. Insert battery pack into detector

*Failure to perform step 5 properly could result in damage to the batteries, battery pack and/or detector

Note: Please refer to the instrument's documentation (shipped with the product or available at www.gasmonitors.com) for complete instructions on common service procedures. Improper servicing or maintenance may affect warranty eligibility. Honeywell assumes no liability for damages resulting from improper servicing or maintenance.