



Honeywell North® Primair PA800 Welding Helmet

The Honeywell North Primair PA800 Series Welding Helmet is approved by the National Institute of Occupational Safety and Health (NIOSH) to be used with the Honeywell North Primair PA700 Powered Air Purifying Respirator (PAPR). It is a welding helmet that has been engineered to be lightweight, easy to operate, and easy to use to improve welder safety and productivity.

Protection Type

This respirator is ideally suited for applications in which non-powered air purifying respirators are not practical or in which a higher protection factor is required, yet where the atmosphere is not immediately dangerous to life and health (IDLH) and where there is an oxygen content of at least 19.5%. When used together with Honeywell North PA700 PAPR, the Honeywell North Primair PA800 Series Welding Helmet provides respiratory protection against most dusts, fumes, mists, particulate radionuclides and radon progeny attached to dusts, fumes and mists.

Certifications

The Honeywell North Primair PA800 Series Welding Helmet meets the requirements of NIOSH CFR 84 when assembled from components listed on the NIOSH approval label included with the product.

For detailed information on these systems, see the user manuals for those products. Refer to the NIOSH approval labels provided with the Honeywell North Primair PA800 Series Welding Helmet for specific NIOSH approval numbers.

Assigned Protection Factors

The Honeywell North Primair PA800 Series Welding Helmet combined with the PA700 Series PAPR is for protection from particulates where (i) the concentration does not exceed the Permissible Exposure Limit (PEL) as determined by the Assigned Protection Factor (APF) of the headpiece, (ii) the concentration is below the contaminant's Immediately Dangerous to Life or Health (IDLH) level, and (iii) there is sufficient oxygen in the work environment per the OSHA Regulation 29 CFR Section 1910.134 or CSA Standard Z94.4 requirements.

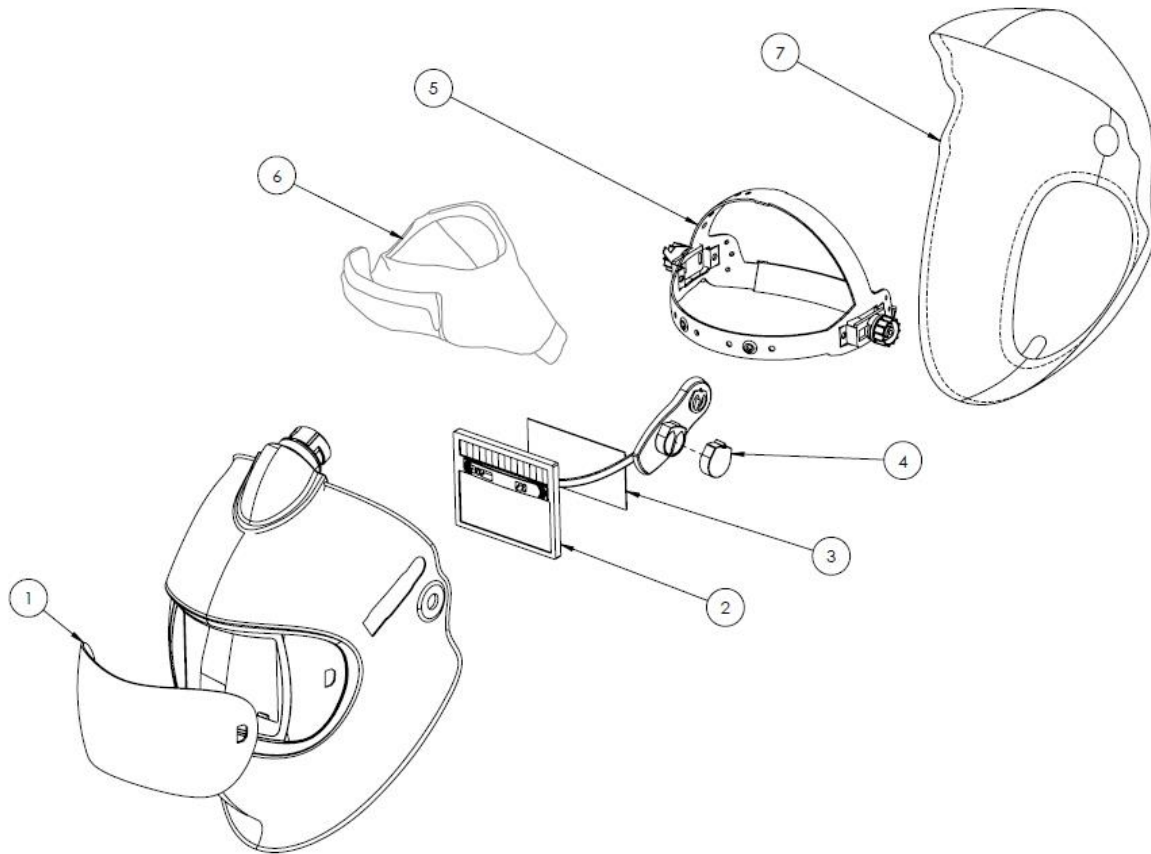
All Honeywell North Primair PA800 Series Welding Helmets have an APF of 25.

Note: Because of the positive pressure created by the flow of air, PAPRs have a higher protection factor. The respirator manufacturer must have evidence that testing of these respirators demonstrates performance at a level of protection of 1,000 or greater to receive an Assigned Protection Factor (APF) of 1,000. This level of performance can best be demonstrated by performing a Workplace Protection Factor (WPF) or Simulated Workplace Protection Factor (SWPF) study or equivalent testing. If such testing is absent, helmets/hoods are to be treated as loose-fitting facepiece respirators, and should receive an APF of 25.

For more information
www.honeywellsafety.com

Honeywell Safety Products
NORTH AMERICA
900 Douglas Pike
Smithfield, RI 02917 Phone:
800.873.5242
www.honeywell.com

Major Components



Key Helmet Design Attributes & Technology

1. Grinding Shield – located on the outside of the auto-darkening filter (ADF) – protects the ADF from damage due to slag or debris. Combined with the proprietary ADF with the lightest shade level (2.5), allows welders to switch from welding to grinding without having to adjust the helmet. Improves productivity and reduces the risk of damaging the ADF (Replacement Part #PA8221)
2. ADF – light shade range from 2.5 (lightest in the market) and 8-12 for auto-darkening
3. Inside ADF shield – further protection of the ADF inside the helmet (Replacement Part #PA8222)
4. External ADF adjustment controls – allows shade level adjustment and grinding-mode activation/deactivation while wearing the helmet. Controls are designed to be accessible, even when wearing welding gloves. The grinding-mode control is protected by a silicone rubber cover (Replacement Part #PA825)
5. Internal suspension system – features a ratchet adjustment knob with a spring-loaded locking mechanism that reduces the risk that the headband tension loosens. The suspension also features adjustments to the helmet angle and flip-up stop positions.
6. Sweat band (Replacement Part #PA824)
7. Helmet – lightweight (24 oz.), designed to lessen worker fatigue but also durable to survive the rigors of daily welding activities.

Ordering Information

A complete NIOSH approved powered air purifying respirator includes a blower, battery pack, battery charger, belt, flow meter, breathing tube, filter cartridge and headpiece.

To simplify the ordering process, the major components of the PA800 Series Welding Helmet can be purchased as a kit. Unless otherwise noted, breathing tubes, filter cartridges, filter cartridge covers and headpieces are sold separately.

STEP 1: ORDER YOUR STARTER KITS

PA701-810	Kit includes PA701HEW, one (1) Primair PA800 Welding Helmet (PA810), and one (1) 47" extended length breathing tube (PA036)
-----------	---

STEP 2: SELECT YOUR ACCESSORIES

PA8331	Chest Protector, Leather
PA8332	Neck Protector, Leather
PA828	Flame Resistant Hose Cover

STEP 2: SELECT YOUR REPLACEMENT PARTS

PA036	Breathing tube – welding (47")
PA810	2.5 ADF PAPR welding helmet
PA8221	Lens cover, front, 5PK
PA8222	Lens cover, inside, 5PK
PA823	Headgear – replacement
PA824	Sweatband
PA825	Cover, grind button, silicone, 10/pk.
PA827	Face seal, helmet version

Technical Specifications

Description: Welding mask with extra bright view in the light state (Shade Level 2.5), TrueColor Filter, auto-darkening filter, infinite shade level selection from Shade Level 8–12, grind mode operation, infinite adjustable delay from 0.1s to 1.0s, LED warning for low battery and grind mode.

Item	Specification
Shade Level	SL2.5 (light mode) SL8 – SL12 (dark mode)
UV/IR Protection	Maximum protection in light and dark modes
Switching time from light to dark	100 μ s (23° C / 73° F) 70 μ s (55° C / 131° F)
Switching time from dark to light	0.05 – 1.0s
Dimensions of ADF	90 x 110 x 7mm / 3.55 x 4.33 x 0.28"
Dimensions of field of view	50 x 100mm / 1.97 x 3.94"



RESPIRATORY PROTECTION TECHNICAL DATA SHEET

Power Supply	Solar cells, 2 pcs. LI batteries 3V replaceable (CR2032)
Weight	680.4g / 24oz
Operating Temperature	-10°C - 70°C / 14°F - 157°F
Storage Temperature	-20°C - 80°C / -4°F - 176°F
Classifications per EN379	Optical class = 1 Light scatter = 1 Homogeneity = 1 Angle of vision dependency = 2
Standards	NIOSH, CE, ANSI, EAC, compliance with CSA, KCS

Additional Ordering Information

SKU	DESCRIPTION	QTY/ CASE	LENGTH IN (CM)	WIDTH IN (CM)	HEIGHT IN (CM)	WEIGHT LB (KG)
KITS						
PA701-810	PAPR Welding Kit w/Helmet & HEPA	1	17.6 (44.7)	12.1 (30.7)	24.0 (61.0)	8.7 (3.9)
BREATHING TUBES						
PA031L	Breathing Tube, Loose Fit, Long	10	19.0 (48.2)	9.5 (24.1)	9.5 (24.1)	3.5 (1.6)
PA036	Breathing Tube, PA800 Welding Helmet	10	19.0 (48.2)	9.5 (24.1)	9.5 (24.1)	3.5 (1.6)
ACCESSORIES						
PA828	Flame Resistant Hose Cover	1	9.0 (22.9)	9.0 (22.9)	0.5 (1.27)	0.1 (0.04)
PA8331	Chest Protector, Leather	1	7.8 (19.7)	20 (50.8)	0.5 (1.27)	0.3 (0.14)
PA8332	Neck Protector, Leather	1	15.0 (38.1)	9.5 (24.13)	0.5 (1.27)	0.6 (0.27)
PA751W	PA800 Welding Belt	1	28.0 (71.1)	7.5 (19.0)	0.5 (1.3)	1.0 (0.45)
REPLACEMENT PARTS						
PA827	Face seal, Helmet	1	15.0 (38.1)	12.0 (30.48)	0.5 (1.27)	0.1 (0.04)
PA821	PA800 Helmet ADF replacement	1	4.5 (11.43)	3.5 (8.9)	1.5 (3.81)	0.3 (0.14)
PA825	PA800 Grind Button Cover, (10) pack	1	4.5 (11.43)	4.5 (11.43)	0.5 (1.27)	0.02 (0.01)
PA8221	Lens Cover – front, five (5) pack	1	7.0 (17.78)	4.2 (10.5)	4.0 (10.16)	0.3 (0.14)
PA8222	Lens Cover – back, five (5) pack	1	4.25 (10.8)	2.25 (5.7)	0.2 (.5)	0.2 (0.1)
PA824	Sweatband, helmet suspension	1	8.5 (21.6)	1.5 (3.81)	0.5 (1.27)	0.1 (0.04)
PA823	Headgear	1	10.0 (25.4)	4.25 (10.8)	4.5 (11.43)	0.3 (0.14)

Note: Additional packaging information pending.



RESPIRATORY PROTECTION TECHNICAL DATA SHEET

Limited Warranty

HONEYWELL INDUSTRIAL SAFETY warrants the Honeywell North Primair PA800 Series Welding Helmet to the original owner to be free from defects in materials and workmanship for a period of one (1) year from the date of original shipment from Honeywell's factory. Honeywell's obligation under this warranty will be, at Honeywell's option, to repair or replace without charge the Honeywell North Primair PA800 Series Welding Helmet or any of its components found by Honeywell to have been defective during the warranty period, under the following terms:

- 1) The warranty claim is made (i) by the owner who purchased the Honeywell North Primair Series PA800 Welding Helmet new from Honeywell or an authorized Honeywell Distributor, and (ii) not more than three (3) months after the end of the warranty period.
- 2) The Honeywell North Primair PA800 Series Welding Helmet or component is found by Honeywell to have been defective in normal use and service during the warranty period of one (1) year from the date of original shipment from Honeywell's factory.
- 3) The Honeywell North Primair PA800 Series Welding Helmet or component is returned freight prepaid to Honeywell, either to its factory or to a Honeywell authorized service center and is thereafter returned to the owner freight collect.
- 4) This warranty does not apply (i) to any Honeywell North Primair PA800 Series Welding Helmet or component found by Honeywell to have become defective as a result of any accident, alteration, misuse, abuse, or servicing with parts not approved by Honeywell; (ii) to deterioration or aging of any component made of rubber or other elastomer since such components can be adversely affected by undue exposure to heat, sun, water, chemicals, ozone or other deteriorating elements; or (iii) facepiece lens, compressed-air cylinders and parts that become defective through normal use. The decision as to what constitutes normal use shall be made solely by HONEYWELL INDUSTRIAL SAFETY.
- 5) To maintain this warranty, the purchaser must perform maintenance and inspections as prescribed in the User's Instructions which shall include prompt replacement or repair of defective parts, and replacement of parts per the maintenance schedule as prescribed in the User's Instructions.

THE OWNER ASSUMES ALL OTHER RISKS, IF ANY, SUCH AS THE RISK OF ANY DIRECT, INDIRECT OR CONSEQUENTIAL LOSS OR DAMAGE ARISING OUT OF THE USE OF, OR INABILITY TO USE, THE PRODUCT.

SERVICING HONEYWELL RESPIRATORS WITH PARTS NOT APPROVED BY HONEYWELL WILL VOID THIS WARRANTY AND NIOSH APPROVAL FOR THE RESPIRATOR. THIS WARRANTY IS MADE IN LIEU OF ALL OTHER WARRANTIES, EXPRESS OR IMPLIED AND MAY NOT BE VARIED OR EXTENDED EXCEPT IN WRITING BY AN AUTHORIZED OFFICIAL OF HONEYWELL INDUSTRIAL SAFETY.