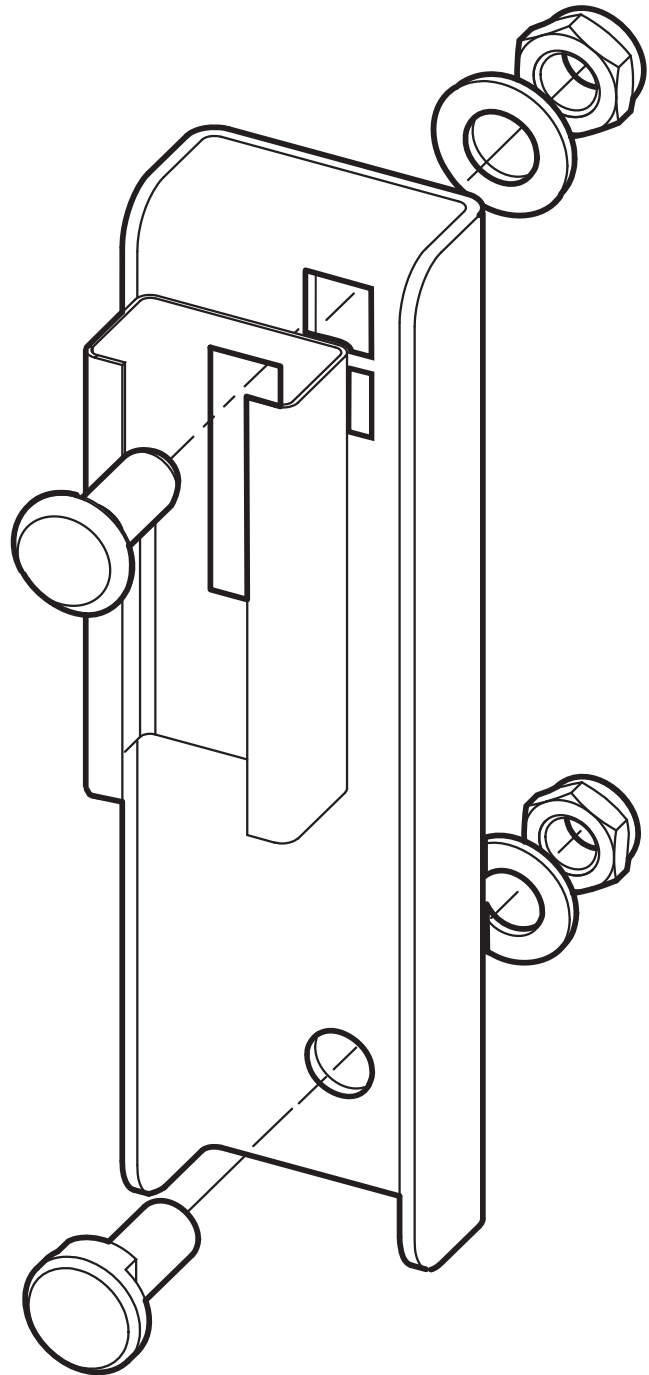


QUICK INSTALLATION GUIDE

Movable Rail Connector

ref: 50169947-001

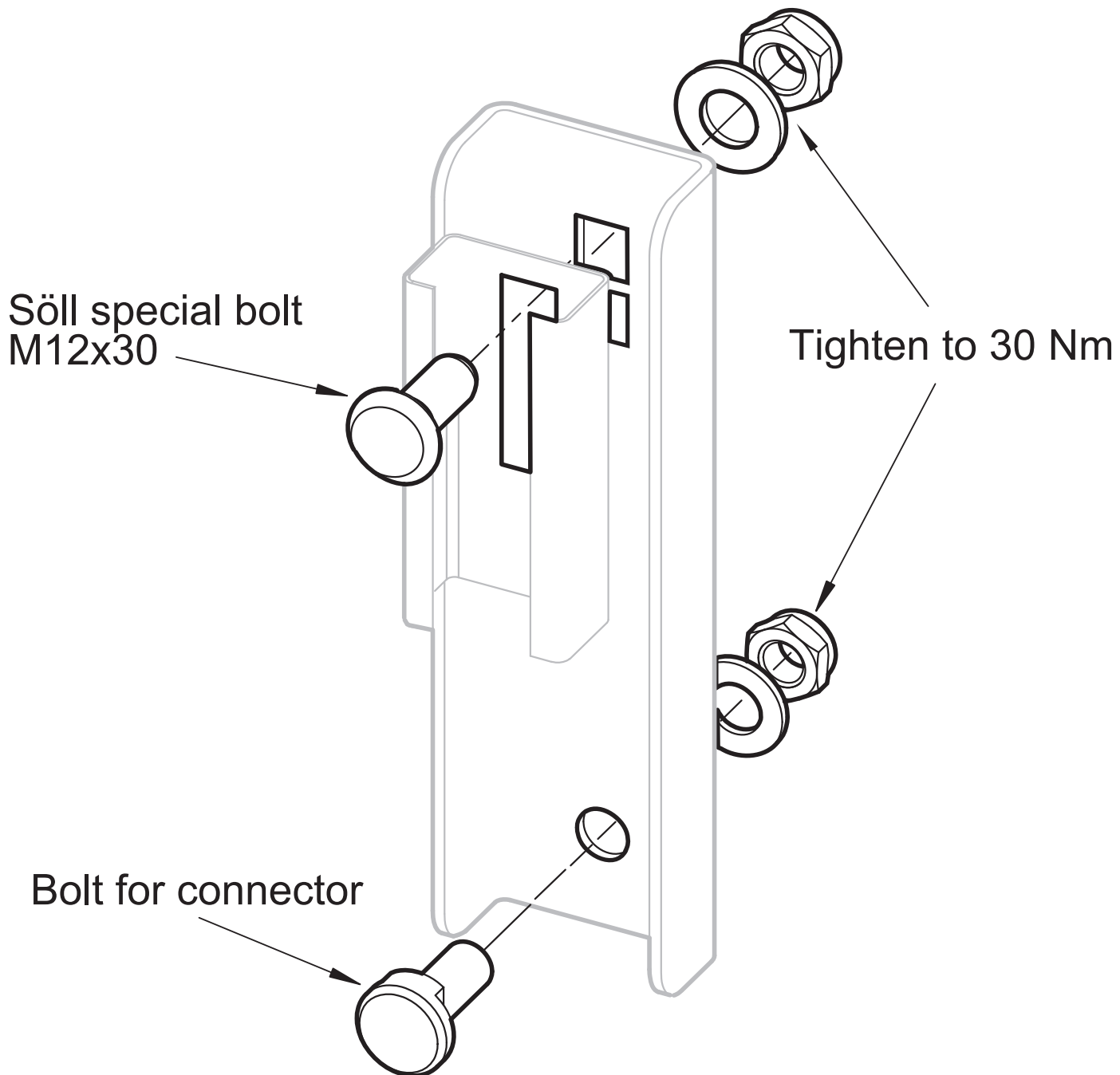


Find out more:
www.honeywellsafety.com

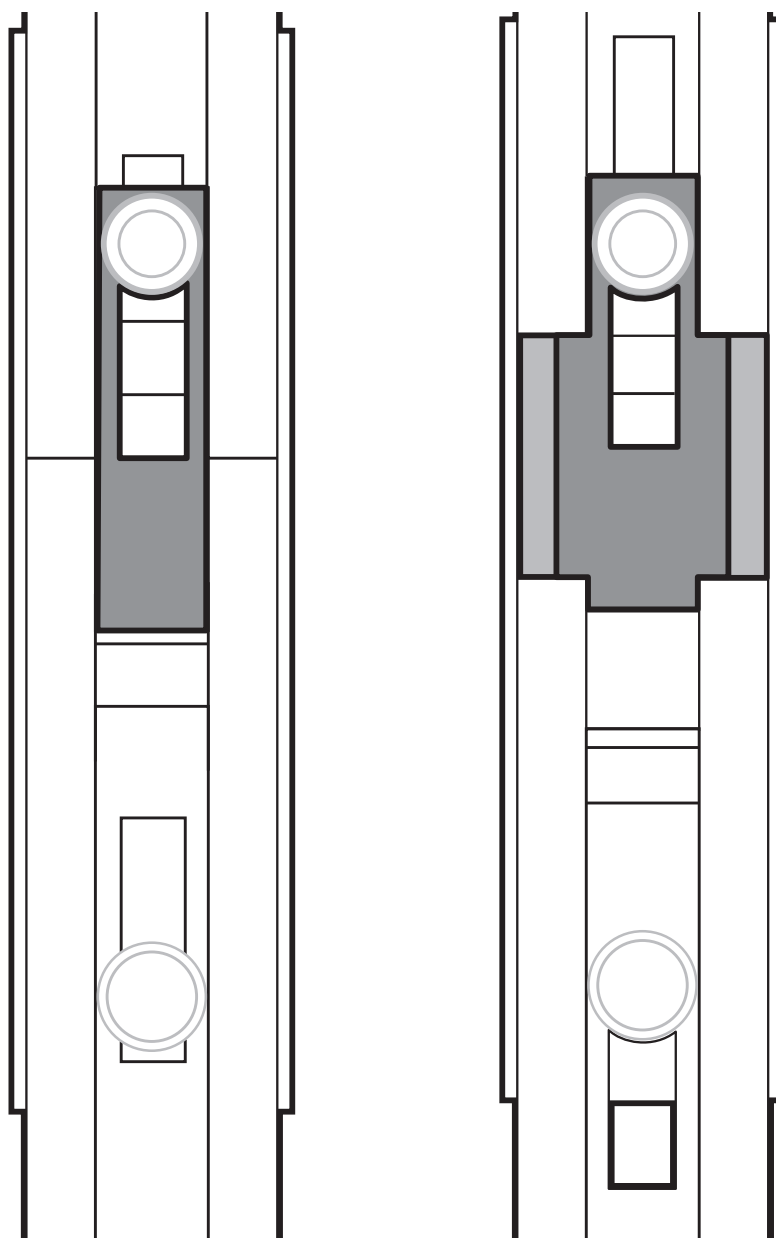
Honeywell
MILLER

1 INSTALLATION

1.1 Schematics of Movable Rail Connector parts



1.2 Mounting configuration with Söll GlideLoc Vertical Guide Rails Aluminium



1.3 Torque

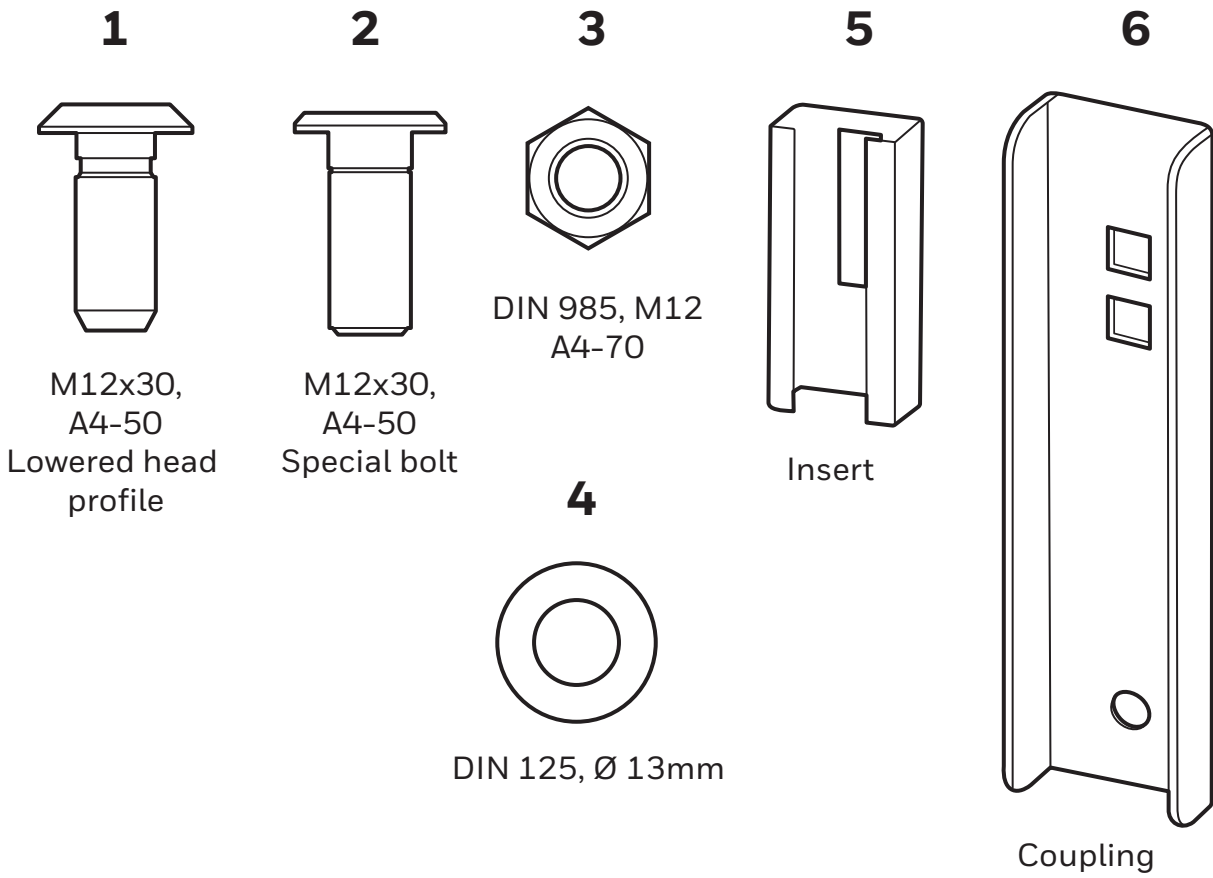
When tightening all M12 stainless steel mounting screws in combination with DIN 985 self-locking nuts, the torque is **30 Nm**.

1.4 Gap width

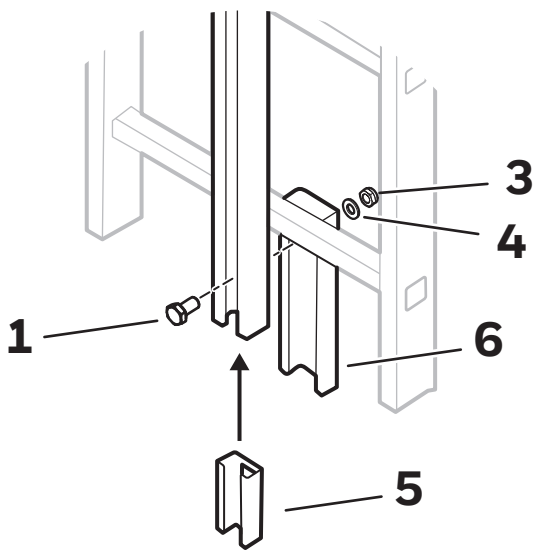
Flexible rail connectors (1.1.)

- independent from ambient temperature the gap width is **max. 50mm**.

1.5 Mounting the flexible rail connector



MOUNTING COUPLING AND INSERT



MOUNTING NEXT LADDER

