

# Miller ShockFusion™ Horizontal Lifeline Roof Systems and Straight Line System Kits -- Cable Assembly Components

## Description

Miller ShockFusion Horizontal Lifeline Roof Systems are available in custom-engineered systems and straight-line system kits.

This spec sheet addresses cable assembly components--Swage Turnbuckle with Tension Indicator, Cable Lifeline, Universal Intermediate Bracket, Anchor Shackle, Thimble, Cable Clips and the Xenon Shuttle. Spec sheets for other system components are available:

**Miller ShockFusion End/Corner Roof Posts and Fusion Intermediate Roof Posts (SP452)**

**Miller ShockFusion Base Plates and Mounting Assemblies (SP453)**

## Component: Swage Turnbuckle with Tension Indicator

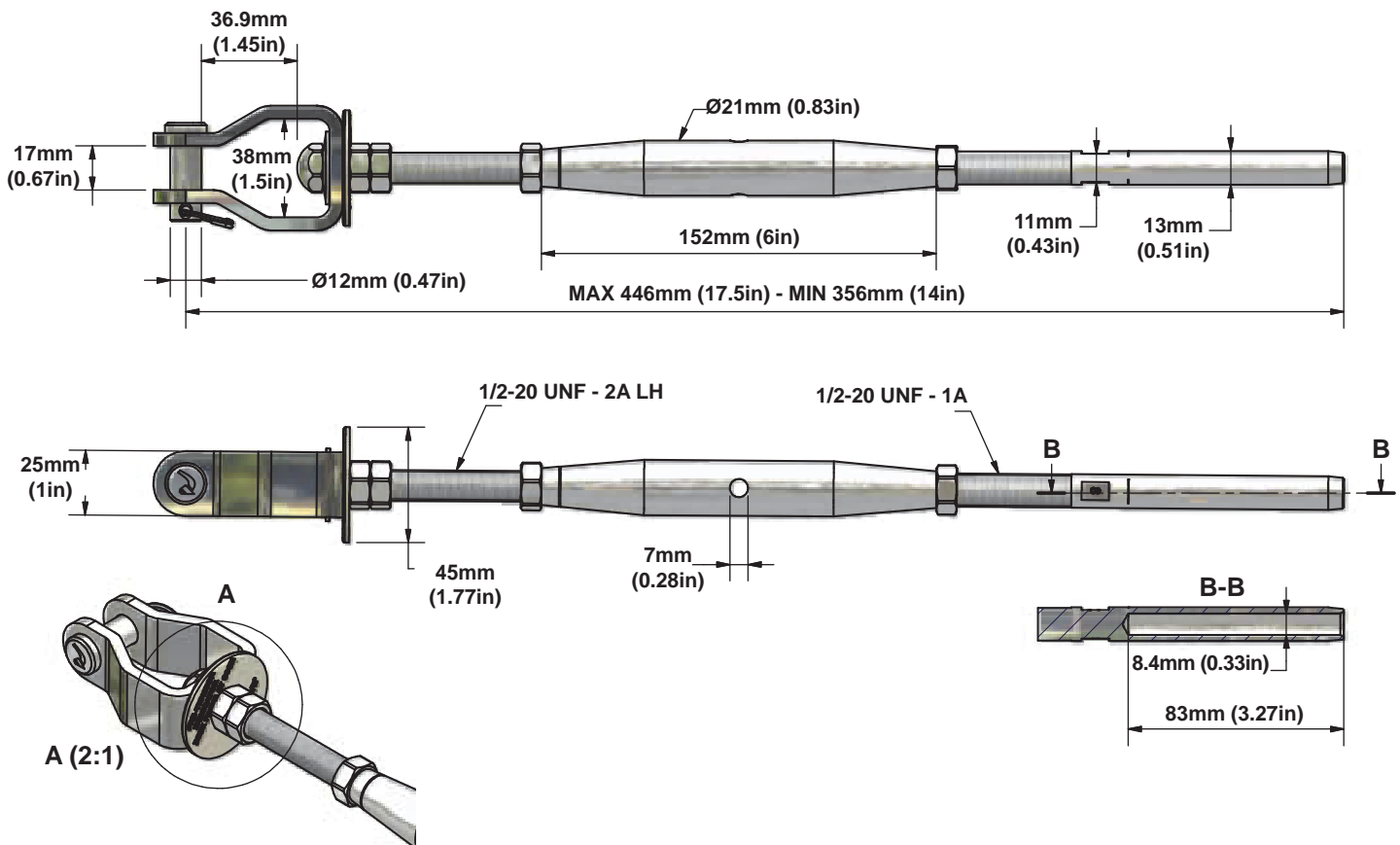
### Materials

Turnbuckle: Stainless Steel

### Technical

Breaking Strength: 3850kg (8487.8lbs)

Weight: 0.547kg (1.2lbs)



# Miller ShockFusion™ Horizontal Lifeline Roof Systems and Straight Line System Kits -- Cable Assembly Components

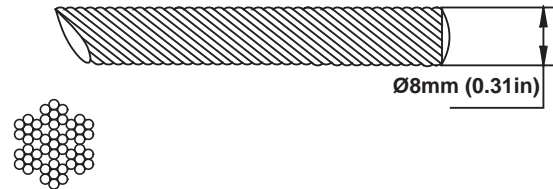
## Component: Cable

### Materials

Cable: 316S16 Stainless Steel

### Technical

Construction: 8mm - 7x7 threads  
 Breaking Strength: > 5645kgf (12445.1lbf)  
 Weight: 381g/m (0.26lbs/ft)



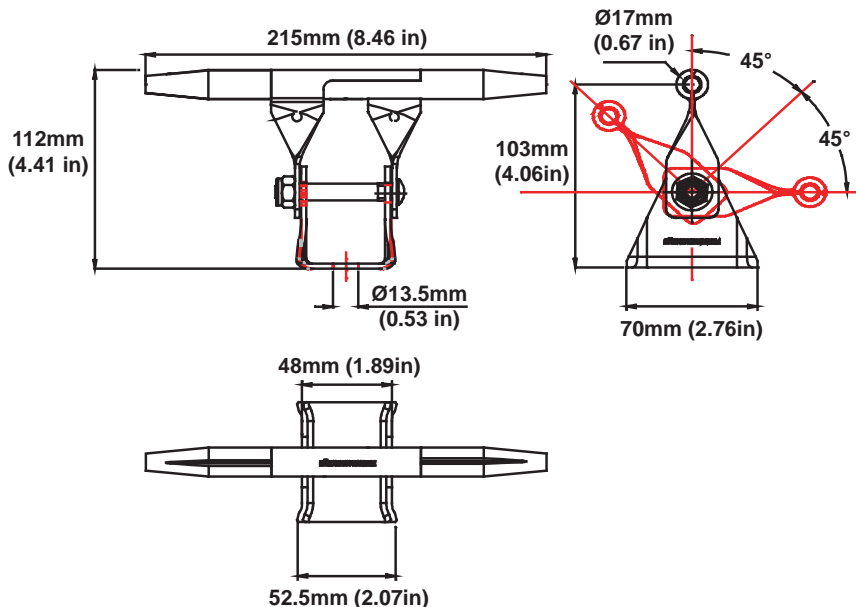
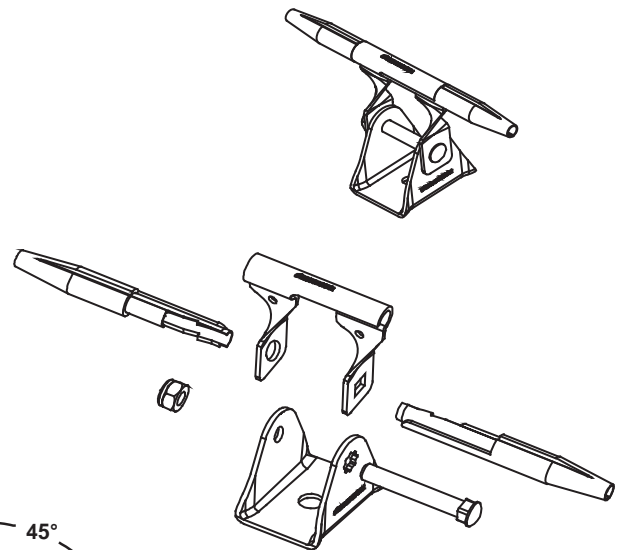
## Component: Universal Intermediate Bracket

### Materials

Cable Support, Clevis & Hardware: 316 Stainless Steel  
 Cable Guides: Zytel Plastic

### Technical

Breaking Strength: > 25kN (5620.2lbf)  
 Operating Temperature: -50°C to +90°C  
 (-122°F to +194°F)  
 Weight: 310g (0.68 lbs)

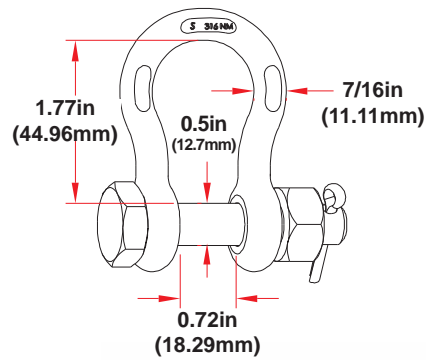


# Miller ShockFusion™ Horizontal Lifeline Roof Systems and Straight Line System Kits -- Cable Assembly Components

## Component: Anchor Shackle (Straight Line System Kits only)

**Materials**  
Anchor Shackle: 316-NM Stainless Steel

**Technical**  
Size: 7/16in (11.11mm)  
Weight: 0.57lbs (0.26kg)

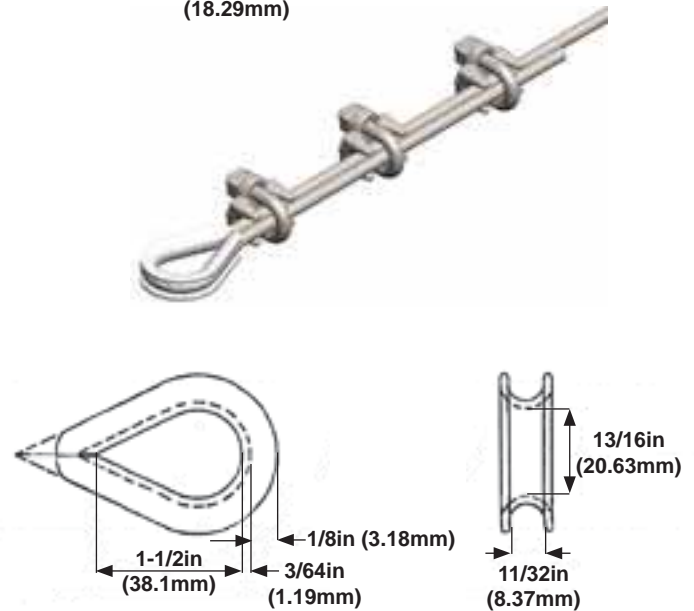


## Component: Thimble (Straight Line System Kits only)

**Materials**  
Thimble: 316 Stainless Steel

**Technical**  
Size: 5/16in (7.93mm)  
Weight: 0.15lbs (0.07kg)

**Certification**  
Federal Specification: FF-T276b, Type III

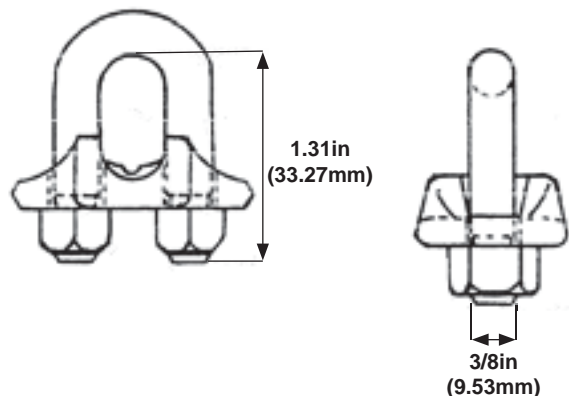


## Component: Cable Clips (Straight Line System Kits only)

**Materials**  
Cable Clips: T304 Stainless Steel

**Technical**  
Size: 5/16in (7.93mm)  
Weight: 0.25lbs (0.11kg)

**Certification**  
Federal Specification: FF-C-450D, Type 1



Thimble and Cable Clip Drawings may differ slightly from actual product. Drawings are for illustration purposes only.

# Miller ShockFusion™ Horizontal Lifeline Roof Systems and Straight Line System Kits -- Cable Assembly Components

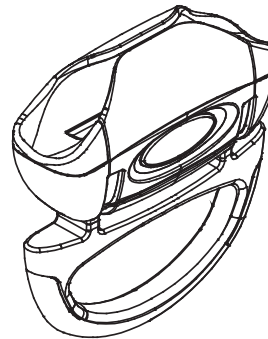
## Component: Xenon Shuttle

### Materials

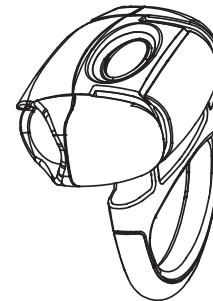
Sides and Anchorage Ring: Stainless Steel Z15CN1703  
& Silicone over moulding  
Locking Button: Stainless Steel 304L

### Technical

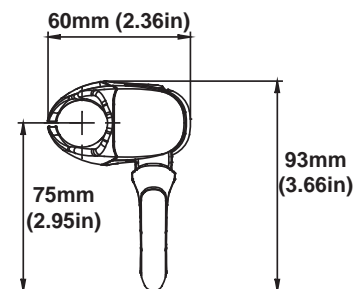
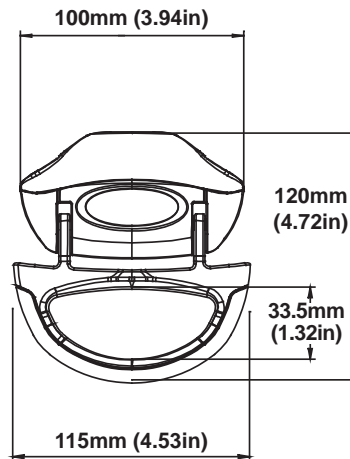
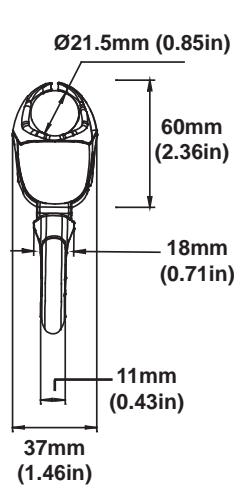
Max. Capacity: 136 kg (300 lbs)  
Breaking Strength: > 25kN (5620.2lbf)  
Operating Temperature: -50°C to +90°C  
(-122°F to +194°F)  
Weight: 0.797kg (1.76lbs)



Handle in free position



Handle in fixed position



For more information about custom-engineered systems, please contact Miller Engineered Solutions:

800.325.6746



by Honeywell

For more information about straight-line system kits, please contact Honeywell Technical Service:

800.873.5242

Toll Free 800.873.5242 (press 4) • [hsptechsupport@honeywell.com](mailto:hsptechsupport@honeywell.com) • [www.millerfallprotection.com](http://www.millerfallprotection.com)

**WARNING!** THIS DOCUMENT PROVIDES AN OVERVIEW OF FALL PROTECTION PRODUCTS AVAILABLE FROM HONEYWELL AND CARE HAS BEEN TAKEN TO ASSURE THE ACCURACY OF THE DATA. IT DOES NOT PROVIDE IMPORTANT PRODUCT WARNINGS AND INSTRUCTIONS. HONEYWELL RECOMMENDS ALL USERS OF FALL PROTECTION EQUIPMENT UNDERGO THOROUGH TRAINING, AND THAT ALL WARNINGS AND INSTRUCTIONS PROVIDED WITH THE PRODUCTS BE THOROUGHLY READ AND UNDERSTOOD PRIOR TO EACH USE. FAILURE TO READ AND FOLLOW ALL PRODUCT WARNINGS AND INSTRUCTIONS COULD RESULT IN SERIOUS INJURY OR DEATH.