

Miller 10,000 lb. (10K) Zinc-Plated Swivel Anchors

Description

Miller 10K Zinc-Plated Swivel Anchors are designed to be installed on concrete or steel structures. A variety of installation kits are available to meet your application needs.

Materials

Swivel: Zinc-plated steel

Technical

Ultimate Tensile Strength: 10,000 lbf. (44 kN)
Maximum User Weight: 310 lbs. (140 kg)
Working Load: 2,000 lbs. (908 kg)



RACSWY100S

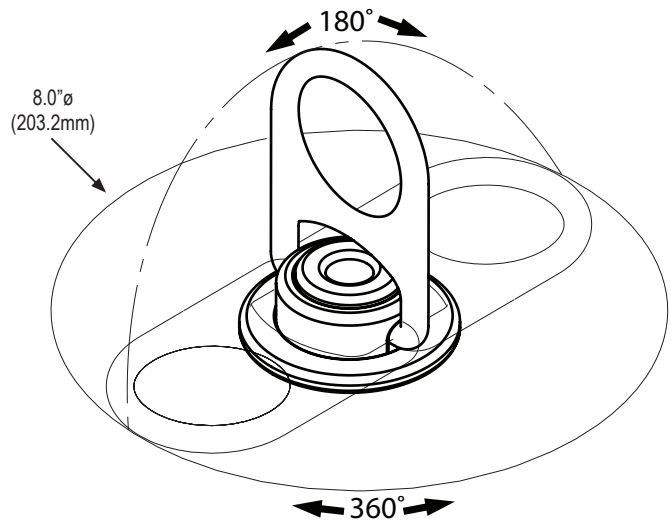
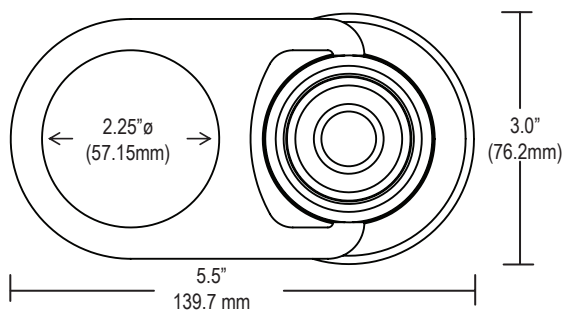
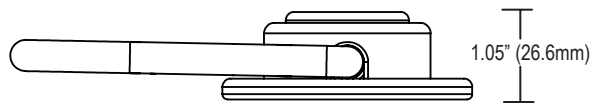
Certifications

Meets all ANSI Z359.1-2007, Z359.7-2011 and OSHA 1926.502 requirements

10,000 lb. (10K) Zinc Plated Swivel Anchors		
Model Number	Description	Weight
RACSWY100N	10K zinc-plated swivel only (hardware not included)	1.4 lbs. (0.6 kg)
RACSWY100S	10K zinc-plated swivel anchor with steel mounting hardware	1.9 lbs. (0.9 kg)
RACSWY100C	10K zinc-plated swivel anchor with concrete mounting hardware	2.1 lbs. (1.0 kg)
RACSWY1SBA	Steel mounting hardware only (swivel not included) - steel bolt 10K 5/8"-11" x 4" hexagonal cap grade 8 ZN-Y bolt with locknut & lock washer	N/A
RACSWY1CSA	Concrete mounting hardware only (swivel not included) - concrete bolt 10K 3/4" X 5" concrete sleeve anchor	N/A
RACSWP100N-KIT	Weld kit for RACSWY100N - Puck with 5/8"-11" Spirallock® thread & 5/8"-11" x 1.75" grade 8 hexagonal head bolt	2.3 lbs. (1.0 kg)
RACSWX100N	6"x4"x1/4" steel back plate for RACSWY100N - steel bolt not included (steel bolt 5/8"-11" x length dependent on customer hexagonal cap grade 8 ZN-Y bolt with locknut & lock washer)	1.7 lbs. (0.8 kg)

Miller 10,000 lb. (10K) Zinc-Plated Swivel Anchors

Drawings and Measurements



Limitless Possibilities. Ask the Expert.

Technical Service: 800.873.5242
www.millerfallprotection.com

Honeywell Industrial Safety

900 Douglas Pike
Smithfield, RI 02917

USA

Phone: 800.430.5490
Fax: 800.322.1330

Canada

Phone: 888.212.7233
Fax: 888.667.8477

⚠ This equipment should only be used after reading and understanding the manufacturer's instructions. Failure to follow instructions could result in serious injury or fatality.