

MILLER[®]

by Honeywell



Miller MightEvac[®] Self-Retracting Lifeline with Emergency Retrieval Hoist

User Instruction Manual

Manuel D'utilisation / Manual de Instrucciones para El Usuario

Table of Contents

1.0 Purpose.....	3
2.0 General Requirements.....	3-5
2.1 General Warnings / 2.2 Warnings and Limitations	
3.0 System Compatibility.....	5-6
3.1 Personal Fall Arrest System Components / 3.2 Component Warnings and Limitations	
4.0 Operation.....	7
5.0 Installation.....	8-11
5.1 General Installation and Making Connections	
5.2 Installation of MightEvac to Mounting Bracket	
5.3 Installation Procedure to Tripod	
5.4 Installation Procedure to DuraHoist Mast or Davit Arm	
5.5 Installation Procedure to Davit System	
5.6 Installation Procedure to Quad Pod	
5.7 Installation Procedure to Wall Mount	
6.0 Calculating Fall Clearance Distance.....	12-13
7.0 Training.....	13
8.0 Inspection and Maintenance.....	14-15
8.1 Inspection and Operation Checkpoints / 8.2 Maintenance	
Product Specifications.....	42-43
Product Labels.....	44-45
Inspection and Maintenance Log.....	46

Table des Matières

1.0 Objet.....	16
2.0 Exigences, Mises en Garde et Restrictions Générales.....	16-18
3.0 Compatibilité du Système.....	18-19
4.0 Fonctionnement.....	20
5.0 Installation.....	21-24
6.0 Calcul de la Distance de la Zone de Dégagement en cas de Chute....	24-26
7.0 Formation.....	26
8.0 Inspection et Entretien.....	27-28
Fiche Technique sur les Produits.....	42-43
Étiquettes sur les Produits.....	44-45
Registre D'inspection et D'entretien.....	46

Índice

1.0 Propósito.....	29
2.0 Requisitos, Advertencias y Limitaciones Generales.....	29-31
3.0 Compatibilidad del Sistema.....	31-32
4.0 Manejo.....	33
5.0 Instalación.....	34-37
6.0 Cómo Calcular la Distancia del Margen de Caída.....	38-39
7.0 Entrenamiento.....	39
8.0 Inspección y Mantenimiento.....	40-41
Especificaciones de los Productos.....	42-43
Etiquetas de los Productos.....	44-45
Registro de Inspección y Mantenimiento.....	46

Thank You

Thank you for your purchase of Miller fall protection equipment manufactured by Honeywell Safety Products. Miller brand products are produced to meet the highest standards of quality at our ISO 9001 certified facility. Miller equipment will provide you with years of use when cared for properly.

WARNING

All persons using this equipment must read, understand and follow all instructions. Failure to do so may result in serious injury or death. Do not use this equipment unless you are properly trained.

Questions?

CALL
1.800.873.5242

It is crucial that the authorized person/user of this equipment read and understand these instructions. In addition, federal law requires employers to ensure that all users are trained in the proper installation, use, inspection, and maintenance of fall protection and confined space equipment. Fall protection training should be an integral part of a comprehensive safety program.

Proper use of fall arrest systems can save lives and reduce the potential of serious injuries from a fall. The user must be aware that forces experienced during the arrest of a fall or prolonged suspension may cause bodily injury. Consult a physician if there is any question about the user's ability to use this product. Pregnant women and minor children must not use this product.

1.0 Purpose

The Miller MightEvac[®] Self-Retracting Lifeline with Emergency Retrieval Hoist is a retractable device designed to be used by personnel for fall protection in confined space applications with a quick-activating retrieval mechanism for emergency evacuation.

2.0 General Requirements, Warnings and Limitations

All warnings and instructions shall be provided to authorized persons/users.

All authorized persons/users must reference the regulations governing occupational safety (including confined space regulations), as well as applicable ANSI or CSA standards. Please refer to product labeling for information on specific OSHA regulations, and ANSI and CSA standards met by product.

All authorized persons/users of this equipment must be trained in proper confined space procedures.

Proper precautions should always be taken to remove any obstructions, debris, material, or other recognized hazards from the work area that could cause injuries or interfere with the operation of the system.

All equipment must be inspected before each use according to the manufacturer's instructions.

All equipment should be inspected by a qualified person on a regular basis.

To minimize the potential for accidental disengagement, a competent person must ensure system compatibility.

Equipment must not be altered in any way. Repairs must be performed only by the manufacturer, or persons or entities authorized in writing by the manufacturer.

Any product exhibiting deformities, unusual wear, or deterioration must be immediately discarded.

Any equipment subject to a fall must be removed from service.

The authorized person/user shall have a rescue plan and the means at hand to implement it when using this equipment.

Never use fall protection equipment for purposes other than those for which it was designed. Fall protection equipment should never be used for towing or hoisting.

All synthetic material must be protected from slag, hot sparks, open flames, or other heat sources. The use of heat resistant materials is recommended in these applications.

Environmental hazards should be considered when selecting fall protection equipment. Equipment must not be exposed to environmental hazards and chemicals which may produce a harmful effect. Use in highly corrosive or caustic environments dictates a more frequent inspection and servicing program to ensure the integrity of the device is maintained.

Do not allow equipment to come in contact with anything that will damage it including, but not limited to, sharp, abrasive, rough or high-temperature surfaces, welding, heat sources, electrical hazards, or moving machinery.

Do not expose the equipment to any hazard which it is not designed to withstand. Consult the manufacturer in cases of doubt.

Always check for obstructions below the work area to make sure potential fall path is clear.

Allow adequate fall clearance below the work surface.

Never remove product labels, which include important warnings and information for the authorized person/user.

2.2 Warnings and Limitations

CAPACITY

For use by ONE person only in both fall protection and rescue applications. Maximum capacity is 310 lbs. (140.6kg), including body weight, clothing and tools, unless labeled otherwise. — DO NOT EXCEED THIS WEIGHT.

When used with a Miller 928LS shock absorber, Miller brand self-retracting lifelines are rated to *400 lbs. (181.4kg) maximum capacity in overhead installation applications. The shock absorber must be attached between the user's harness back D-ring and the self-retracting lifeline. Additional fall clearance is needed for this configuration. Refer to the label on the shock absorber to determine its maximum elongation/ deceleration distance and add this factor to your self-retracting lifeline fall clearance calculation.

**If the system is used by an employee having a combined tool and body weight between 310 lbs. (140.6 kg) and 400 lbs. (181.4 kg), then the employer must appropriately modify the criteria and protocols to provide proper protection for such heavier weights, or the system will not be deemed to be in compliance with the requirements of OSHA 1926.502(d)(16). [ANSI capacity range is 130 lbs.-310 lbs. (59kg-140,6kg).]*

Force required to operate rescue features when device is loaded to capacity is 22 lbs. (98N).

LIFELINE RETRACTION & LOCKING

Do not use the device if it does not retract. Always maintain tension on the lifeline while retracting.

Device must be tested for locking before each use. Do not use the device if the brakes do not engage.

USE

This device is designed for overhead installation applications and applications whereby the unit is used in conjunction with a mounting bracket and installed to Honeywell-approved anchorages, such as a tripod or davit system.

Do not use this device for horizontal use or with horizontal lifeline systems, unless approved by the manufacturer.

Never work above the device.

The device should be installed and used in such a manner as to minimize the potential for a swing fall.

Never allow lifeline to become slack while being used for fall protection or while in rescue mode.

Do not allow lifeline in any application to bend or be subjected to fall arresting forces over structural members or edges.

Never use the device as a restraint or positioning device.

The retrieval mechanism in this device is **FOR EMERGENCY USE ONLY**. Do not use for routine hoisting of personnel or materials.

MAINTENANCE

Do not lubricate this device.

The device must be kept clean and free of contaminants.

This unit must be removed from service if any part of the system appears to be damaged or does not pass inspection, or if the unit has been subjected to the forces of arresting a fall or affecting a rescue.

Do not attempt to service this device. If the device does not operate properly or requires repairs, return the device to the equipment manufacturer, or service center authorized in writing by the manufacturer, for repairs.

3.0 System Compatibility

The Miller MightEvac Self-Retracting Lifeline is designed for use with Honeywell-approved components only. Substitution or replacement with non-approved component combinations or subsystems or both may affect or interfere with the safe function of each other and endanger the compatibility within the system. This incompatibility may affect the reliability and safety of the total system.

3.1 Personal Fall Arrest System Components

Three key components of the Personal Fall Arrest System (PFAS) need to be in place and properly used to provide maximum worker protection.

ANCHORAGE/ANCHORAGE CONNECTOR

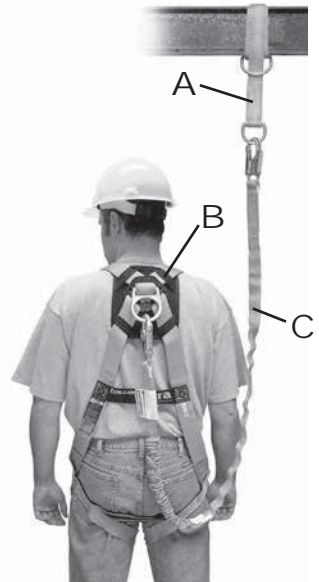
The first component is the anchorage/anchorage connector. The anchorage, also referred to as the anchor point or tie-off point, is a secure point of attachment for connecting devices and must be capable of supporting 5,000 lbs. (22.2kN) per worker or meet OSHA requirements for a safety factor of two, such as an I-beam or other support structure. An anchorage connector, such as the cross-arm strap, D-bolt or rebar hook anchor, is sometimes necessary to make a compatible connection between the connecting device and the anchorage.

BODY WEAR

The second system component is the personal protective gear worn by the worker while performing the job. The only form of body wear acceptable for fall arrest is the full-body harness. Full-body harnesses are engineered to aid in the arrest of a free fall and must be worn in all situations where workers are exposed to a potential free fall.

CONNECTING DEVICE

The third component of the system is the connecting device, the critical link which joins the body wear to the anchorage/anchorage connector. The most important feature of the connecting device is the built-in shock absorber. Whether the connecting device is a shock-absorbing lanyard or self-retracting lifeline, they are designed to dramatically reduce fall arrest forces. Rope, web or wire rope lanyards being used for fall arrest **MUST** be used in conjunction with a shock absorber (i.e., Miller SofStop pack).



Individually, none of these components will provide protection from a fall. However, when used properly and in conjunction with each other, they form a Personal Fall Arrest System that becomes vitally important to safety on the job site.

3.2 Component Warnings and Limitations

ANCHORAGES/ANCHORAGE CONNECTORS

- Anchorages must be capable of supporting 5,000 pounds (22.2kN) per worker or meet OSHA 1926.502 requirements for a safety factor of two.
- Anchorage requirements based on ANSI are as follows:
 - For fall arrest systems, anchorages must withstand a static load of 5,000 lbs. (22.2kN) for non-certified anchorages or two times the maximum arresting force for certified anchorages.
 - For rescue systems only, anchorages must withstand a static load of 3,000 lbs. (13.3kN) for non-certified anchorages or five-times the applied load for certified anchorages. (Note: When an anchorage may be utilized for both fall arrest AND rescue, the fall arrest load requirement applies.)
 - When more than one system is attached to an anchorage, the above anchorage strengths must be multiplied by the number of systems attached to the anchorage.
- Always work directly under the anchor point to avoid a swing-fall injury.
- When selecting an anchorage point, always refer to the fall clearance calculation information provided with the connecting device to ensure that the anchorage point is at a height that will not allow a user to strike a lower level should a fall occur. Remember that shock absorbers will elongate when subjected to fall arrest forces (refer to the labels/instructions provided with the shock absorber for additional details).
- Anchorage connector must be compatible with snap hook or carabiner and must not be capable of causing a load to be applied to the gate (keeper).

BODY WEAR

- The only form of body wear acceptable for fall arrest is the full-body harness.
- It is imperative that the harness be worn properly. Visually check all buckles to assure proper and secure connections before each use. All straps must be connected and adjusted to provide a snug fit.
- Fall protection connecting devices should be attached to the back D-ring of the full-body harness. A front D-ring attachment element may be used for fall arrest only in rescue, work positioning, rope access, and other ANSI Z359.1 recognized applications where the personal fall arrest system limits the maximum free fall distance to 2 ft. (0.6m) and limits the maximum arrest force to 900 lbs. (4.0kN).
- Side and front D-rings should be used for positioning only. (Note front D-ring exception above.); shoulder D-rings should be used for retrieval, raising or lowering only.
- Never attach rebar (pelican) hooks to a harness D-ring.
- Body belts should be used for positioning only.

CONNECTING DEVICES

- Make only compatible connections.
- Use only connecting devices containing locking snap hooks or auto-locking carabiners.
- Connect in a manner that limits free fall to the shortest possible distance. [6ft. (1.8m) maximum]
- Always visually check that each snap hook and carabiner freely engages the harness D-ring or anchor point/anchorage connector, and that its gate (keeper) is completely closed and locked. Never disable or restrict locking keeper or alter connecting device in any way.
- Make sure snap hook/carabiner is positioned so that its gate is never load bearing.
- The use of shock absorbers is required to reduce fall arrest forces. All Miller shock absorbers, shock-absorbing lanyards, and self-retracting lifelines limit maximum fall arrest forces to 1800 lbs. (8kN) or less.
- Never allow a lanyard/lifeline to pass under or entwine around the user's arms, legs, neck or any other obstacle.
- Do not tie knots in lanyards or lifelines, or wrap around sharp, rough edges, or small diameter structural members.
- Do not attach multiple lanyards together, or attach a lanyard back onto itself unless it is specifically designed for that purpose.

4.0 Operation

Retrieval Operation

—FOR EMERGENCY USE ONLY—

The MightEvac retrieval mechanism is to be used only in the event of an emergency. Do not use for routine hoisting of personnel or materials.

NOTE: It is recommended to pull out several feet of lifeline and hold in position before engaging retrieval mechanism. Always maintain tension on the lifeline while in retrieval mode.

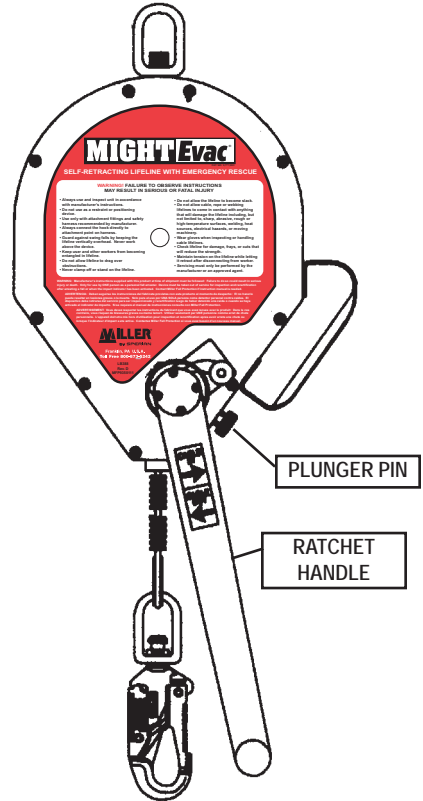
Pull out on the plunger pin until the ratchet handle pops outward. It may be necessary to rotate the handle slightly to fully engage the internal gears. The plunger pin should snap back into its original position when the gears are fully engaged. The unit is now in retrieval mode.

NOTE: A rescue may be executed either by raising or lowering a person to safety.

TO RAISE: While maintaining light tension on the lifeline, rotate the ratchet handle counter-clockwise (CCW) to crank the lifeline into the housing.

TO LOWER: To extend lifeline from the housing (to lower), rotate ratchet handle in clockwise (CW) direction. [NOTE: If the internal braking mechanism has been activated, such as with a fall arrest, it is necessary to first crank in the upward direction (CCW) for one-half to one rotation, then reverse the direction (CW) to begin lowering. A minimum of 75 lbs. (34kg) is required for lowering.]

WARNING: Always ensure that the plunger pin has returned completely into the locked position when changing the unit from retractable to retrieval mode. Do not use the unit if it will not hold the load while in retrieval mode.



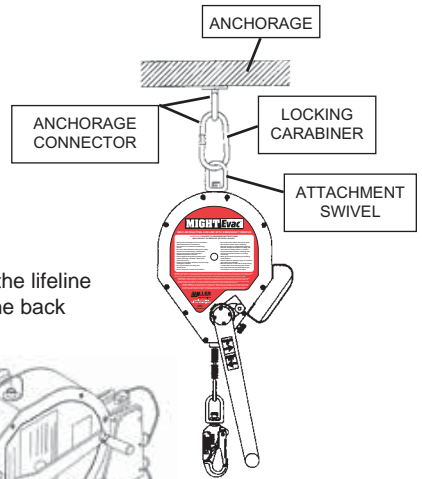
Self-Retracting Lifeline Operation

To return the unit to the retractable mode, remove the weight from the lifeline and secure the end of the lifeline as it will begin to retract once the internal gears are disengaged. Pull out on the plunger pin and hold. Push inward on the ratchet handle, where it connects to the gear shaft, to disengage the gears and let pin drop into the locked position.

5.0 Installation

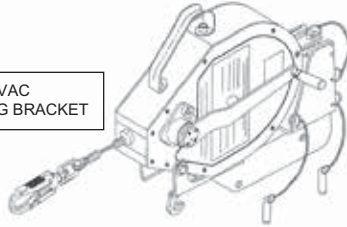
5.1 General Installation and Making Connections

The MightEvac Self-Retracting Lifeline must be mounted to an overhead anchorage by the attachment swivel using a locking carabiner or other Miller approved anchorage connector, or it must be used in conjunction with a Miller mounting bracket which is then installed on a tripod, davit system, quad pod, or wall mount. The anchorage must be capable of supporting a 5,000 lb. (22.2kN) tensile load or meet OSHA 1926.502 requirements for a safety factor of two. Review all warnings and instructions when selecting a mounting location.



For general fall protection, connect the lifeline end connector (i.e., snap hook) to the back D-ring on the full-body harness.

MIGHTEVAC WITH MOUNTING BRACKET



5.2 Installation of MightEvac to Mounting Bracket (Ref. Fig. 1)

Step 1: Remove red, round protective stickers from both sides of the MightEvac unit.

Step 2: Insert attachment swivel of the unit into bracket as shown.

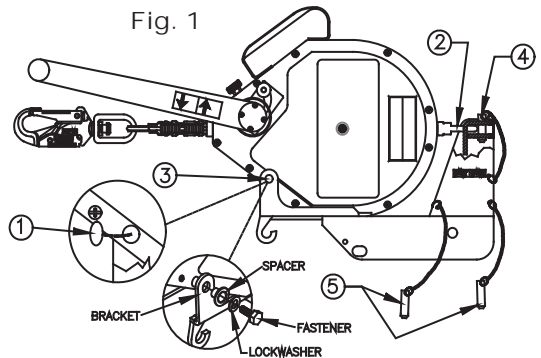
Step 3: Slide the unit forward until the threaded holes in the housing (where stickers were removed) are aligned with the holes in the front of the bracket as shown.

NOTE: The carrying handle of the unit must be in the upward position away from the bracket.

Insert the fastener through the lockwasher, spacer and hole in the bracket. Tighten to 8 plus or minus one (1) ft.-lbs. (96 plus or minus 12 in.-lbs.). Repeat for opposite side.

Step 4: Insert the pushpin through the bracket in the holes provided. This securely attaches the unit to the bracket. Ensure the pushpin is securely through both holes and remains in place.

Step 5: Attach the unit with bracket to an approved Miller anchoring device and secure with the pushpins provided. Refer to installation procedures in sections 5.3, 5.4, 5.5, 5.6 and 5.7 of this manual.



To remove the unit, simply reverse the above procedures.

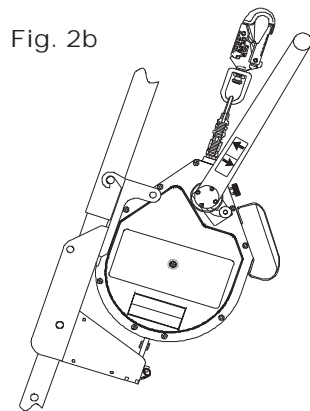
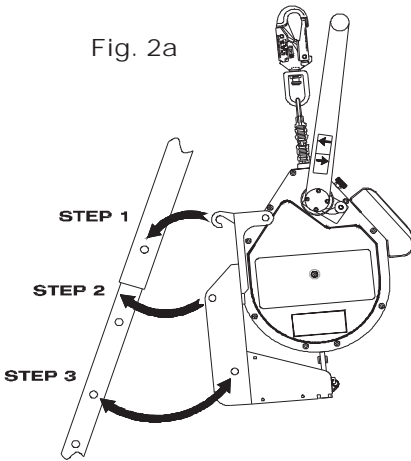
5.3 Installation Procedure to Tripod (Ref. Fig. 2a and 2b)

Step 1: Place bracket hook over adjustment pin.

Step 2: Rotate bracket toward Tripod leg until the top holes of the bracket pass the Tripod leg and insert pin completely through both sides of the bracket. (NOTE: This pin will pass behind the Tripod leg, not through it--see Fig. 2b.)

Step 3: Align the bottom holes in the bracket with holes in the Tripod leg and insert pin through bracket and Tripod leg. Be sure the pin is completely through both the bracket and Tripod leg.

To remove the device, simply reverse the installation procedure. **WARNING:** Be careful not to remove the pin that collapses the Tripod leg, as serious injury may occur.



5.4 Installation Procedure to DuraHoist Mast (Ref. Fig. 3a, 3b and 3c) or Davit Arm (Ref. Fig. 4)

Installation to DuraHoist Mast

Step 1: Install DuraHoist mounting bracket DH-19-MILLER to mast per DuraHoist Instructions.

Step 2: On the MightEvac bracket, insert only the top pin.

Step 3: Holding the MightEvac unit by the handle on the back and making sure the inserted pin is on the top half of the bracket, hang the MightEvac onto the DuraHoist bracket.

Step 4: Secure by inserting the second pin through the bottom hole sets of both the DuraHoist and the MightEvac brackets.

To remove the device, simply reverse the installation procedure.



Fig. 3a



Fig. 3b



Fig. 3c

Installation to DuraHoist Davit Arm

Step 1: Install DuraHoist mounting bracket DH-AP-11 to davit arm per DuraHoist Instructions.

Step 2: Follow steps 2 through 4 above to secure Might-Evac bracket to DuraHoist bracket.

To remove the device, simply reverse the installation procedure.



Fig. 4

5.5 Installation Procedure to Davit System (Ref. Fig. 5)

- Step 1: Place bracket over Davit System, align the top holes of the bracket with the hole of the Davit System and insert pin completely through bracket and Davit System.
- Step 2: Align the bottom holes of the bracket with the holes in the Davit System. Insert the pin completely through the bracket and the Davit System.

To remove the device, simply reverse the installation procedure.

Fig. 5

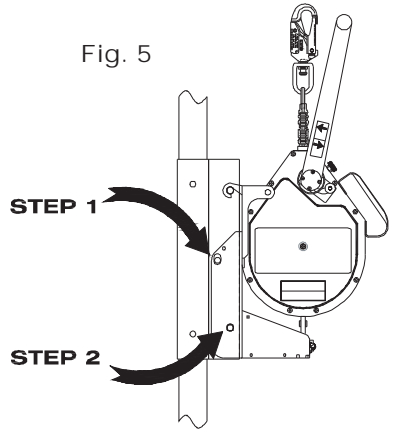
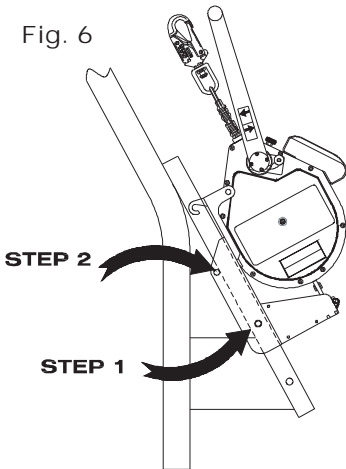


Fig. 6



5.6 Installation Procedure to Quad Pod (Ref. Fig. 6)

- Step 1: Place bracket over tubing of Quad Pod and align the bottom holes of the bracket with the desired holes in the tubing of the Quad Pod. Insert pin completely through both the bracket and tubing of the Quad Pod.
- Step 2: Push pin through the top holes of the bracket passing behind the tubing of the Quad Pod. Make sure pin goes completely through both sides of the bracket.

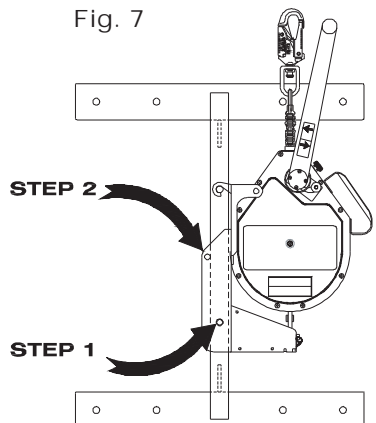
To remove the device, simply reverse the installation procedure.

5.7 Installation Procedure to Wall Mount (Ref. Fig. 7)

- Step 1: Place bracket over tubing of Wall Mount, align the bottom holes of the bracket with the desired hole in the Wall Mount and insert pin completely through the bracket and tubing of the Wall Mount.
- Step 2: Push pin through the top holes of the bracket passing behind the tubing of the Wall Mount. Make sure pin goes completely through both sides of the bracket.

To remove the device, simply reverse the installation procedure.

Fig. 7



6.0 Calculating Fall Clearance Distance

It is essential to understand how to calculate the fall clearance distance for each work application to avoid contact with a lower level. Use the following calculation to determine Required Fall Clearance.

Self-Retracting Lifeline Fall Clearance Calculation

[Calculation taken from work level]

Maximum Arrest Distance
+ (Non-Standing Work Position Factor)
+ (Swing Fall Factor)
+ 3 ft. (.9m) Safety Factor
= Required Fall Clearance

CAUTION: Read all notes and refer to all self-retracting lifeline fall clearance diagrams and labels to determine exact required fall clearance for your application.

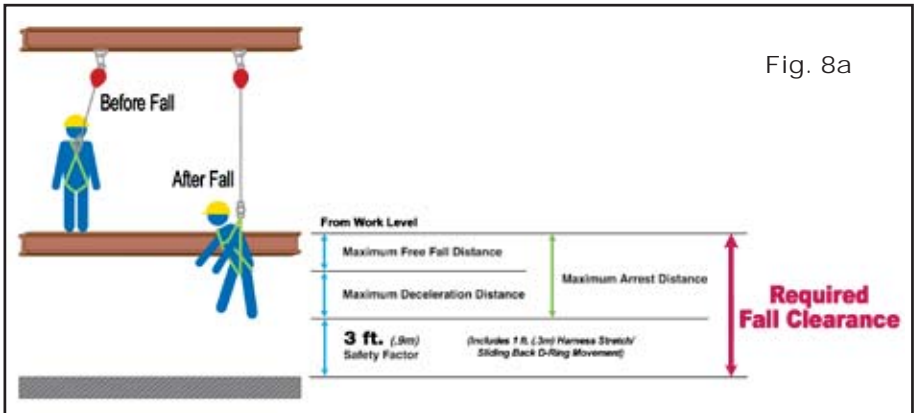


Fig. 8a

(See Fig. 8a, 8b, 8c & 8d.)

IMPORTANT NOTES:

The self-retracting lifeline must be anchored overhead to ensure the accuracy of the fall clearance calculation and related information.

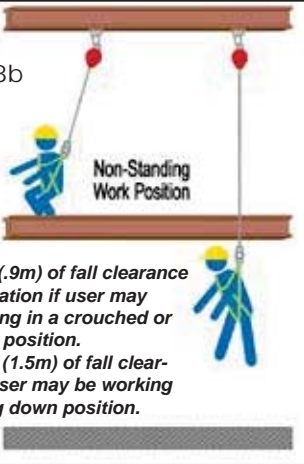
It is important to understand that other factors, such as whether the user is performing work in a standing, crouched or lying down position and/or whether the user is working directly below the anchor point or at an angle, can affect fall distance when using a retractable device.

The self-retracting lifeline fall clearance calculation assumes the user is standing. If the user will be performing work in a crouched or kneeling position, an additional 3 ft. (.9m) of fall clearance is required. If the user will be performing work in a lying down position, an additional 5 ft. (1.5m) of fall clearance is required.

The self-retracting lifeline fall clearance calculation also assumes the user is working directly below the anchor point, minimizing any possibility for a swing fall. In a swing fall situation, the total fall distance will be greater than if the user were working directly below the anchor point. In some applications, it may not be possible to work directly below the anchor point. In such a case, the worker must increase the fall clearance distance to account for the swing fall factor. In any case, the worker must not be exposed to a potential swing fall where contact with another object may occur.

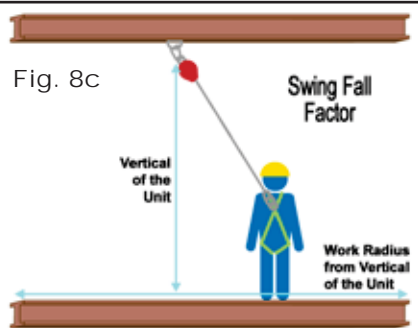
The maximum arrest distance (free fall + deceleration) varies by retractable. Always refer to the labels on the specific unit to determine the maximum arrest distance.

Fig. 8b



**Add 3 ft (.9m) of fall clearance to calculation if user may be working in a crouched or kneeling position.
Add 5 ft. (1.5m) of fall clearance if user may be working in a lying down position.**

Fig. 8c



Whenever a worker may not be working directly under the anchor point or may be moving back and forth from the vertical of the unit, the swing fall factor must be included in the fall clearance calculation. Fall clearance distance will increase according to the specifics of the swing fall conditions. Honeywell Technical Services can help you calculate the added fall clearance required... call 1-800-873-5242 (press 4).

Fig. 8d



If there is any question about calculating fall clearance distance, please contact Honeywell Technical Services:

1-800-873-5242 (press 4)

7.0 Training

The purchaser of this equipment must ensure that all personnel using this equipment are familiar with these instructions and are properly trained in the operation, limitations, installation, inspection and maintenance of this product. Training should be conducted periodically and without exposing the trainee to a fall hazard.

NOTE: Excessive training on this device will cause the gears in the unit to wear, thus reducing its life expectancy and will consequently require more frequent servicing. The retrieval mechanism in this device is for emergency use only. Do not use for routine hoisting of personnel or materials.

Miller Training can provide the knowledge and skills necessary to achieve a safe, more productive work environment. For more information, contact a representative today at 800-873-5242.

8.0 Inspection and Maintenance

8.1 Inspection and Operation Checkpoints

WARNING: The user must perform the following operation checkpoints and inspections prior to each use. In addition, a competent person must inspect equipment at regular intervals, at least annually.*

*[*ANSI Z359.14 provides additional inspection requirements based on type of use and conditions of use. Refer to 6.1 Inspection and Appendix A: Inspection Requirements for compliance with the standard.]*

CAUTION: Always wear gloves when inspecting wire rope/cable units; broken strands can cause injury!

1. Device Housing and Parts/Mounting Bracket: Inspect the unit for loose fasteners and bent, cracked, distorted, worn, malfunctioning or damaged parts.

2. Lifeline:

a. With the device in the mounted position, test the lifeline retraction and tension by pulling out several feet of the cable and allow to retract back into the unit. Always maintain a light tension on the cable as it retracts. The lifeline should pull out freely and retract all the way back into the unit.

If the lifeline does not pull out smoothly or sticks when retracting, pull all the cable out of the housing and allow it to retract slowly under tension. Do not use the unit if the lifelines does not retract properly.

b. The lifeline should be checked regularly for signs of damage. Inspect entire length for cuts, burns, corrosion, kinks, frays, worn areas, broken strands or chemical damage.

3. Braking Mechanism: The braking mechanism can be tested by grasping the lifeline ABOVE the load indicator and applying a sharp steady pull downward which will engage the brakes. There should be no slippage of the lifeline while the brakes are engaged. Once tension is released, the brakes will disengage and the unit will return to the retractable mode.

4. Snap Hook: Inspect the snap hook closely for damage, distortion, cracks, corrosion, or pitted surfaces. The snap hook gate (keeper) should seat into the nose without binding and should not be bent, distorted or obstructed. The gate spring should exert sufficient force to firmly close the gate. The gate locking mechanism must prevent the gate from opening when closed. The snap hook swivel should operate smoothly.

5. Load Indicator: Inspect the load indicator for signs of activation. The load indicator is located in the swivel of the snap hook. The swivel eye will elongate and expose a red area at the location illustrated when subjected to fall arresting forces.



6. Retrieval Mechanism: Ensure that the retrieval mechanism and associated components are working properly according to the operation instructions (see section 4.0 of this manual).

7. Labels/Markings: Make sure that all labels and markings are present and legible.

UNITS THAT DO NOT PASS INSPECTION OR HAVE BEEN SUBJECTED TO THE FORCES OF ARRESTING A FALL OR AFFECTING A RESCUE MUST BE REMOVED FROM SERVICE.

8.2 Maintenance

Basic care of all fall protection equipment will prolong the durable life of the unit and will contribute toward the performance of its vital safety function.

Servicing

Servicing of the Miller MightEvac Self-Retracting Lifeline must only be carried out by Honeywell Safety Products or persons or entities authorized in writing by Honeywell. A record log of all servicing and inspection dates for this device must be maintained. Only original Miller replacement parts are approved for use in this device. Repairable devices must be returned to our facilities or an approved service center whenever subjected to fall arresting forces for physical inspection and recertification. Non-repairable devices that do not pass inspection must be disposed of in a manner to prevent inadvertent further use. Contact your Honeywell distributor or call Honeywell Technical Services at 1-800-873-5242 (press 4) for a return authorization number.

Miller self-retracting lifelines require no annual factory recertification.*

*[Note for CSA Approved Products: CSA Z259.2.2-98 requires Type 2 and Type 3 devices to be returned to the manufacturer or an approved service agent no more than 2 years after the date of manufacturer for inspection and maintenance and annually thereafter.]

*[Note for ANSI Approved Products: ANSI Z359.14 requires factory authorized inspection of devices. Frequency is based on the type of use and conditions of use. Refer to Appendix A: Inspection Requirements in ANSI Z359.14.]

Cleaning and Storage

Periodically clean the exterior of the device and wipe the lifeline using a damp cloth and mild detergent. Towel dry. When not in use, store in a clean, dry location, free of exposure to heat, light, excessive moisture, oil, chemicals, vapors, or other degrading elements. **The lifeline should be fully retracted into the device when not in use.**

Merci

Nous vous remercions d'avoir acheté les équipements antichute Miller fabriqués par Honeywell Safety Products. Les produits de marque Miller sont fabriqués selon des normes de qualité des plus rigoureuses, dans notre usine certifiée ISO 9001. Bien entretenu, un équipement Miller s'utilise des années durant.

AVERTISSEMENT

Toutes les personnes qui utilisent cet équipement doivent lire, comprendre et suivre toutes les instructions. Tout manquement à cette règle peut avoir pour conséquence des blessures graves ou la mort. Ne pas utiliser cet équipement à moins d'avoir reçu une formation adéquate.

Des Questions? APPELEZ 1.800.873.5242

Il est essentiel que la personne autorisée à utiliser cet équipement de protection contre les chutes lise et comprenne ces instructions. En outre, la loi fédérale oblige les employeurs à s'assurer que tous les utilisateurs ont reçu une formation sur la manière appropriée d'installer, d'utiliser, d'inspecter et d'entretenir les équipements antichute et les équipements pour espaces restreints. La formation sur la protection contre les chutes devrait faire partie intégrante d'un programme global de sécurité.

L'utilisation adéquate de systèmes d'arrêt de chute peut épargner des vies et réduire le risque de blessures graves consécutives à une chute. L'utilisateur doit être sensibilisé au fait que les forces subies lors d'un arrêt de chute ou d'une suspension prolongée peuvent causer des blessures corporelles. Dans l'incertitude sur la capacité de la personne à utiliser ce produit, consulter un médecin. Les femmes enceintes et les mineurs ne doivent pas utiliser ce produit.

1.0 Objet

Le câble de sécurité autorétractable MightEvac de Miller, doté d'un palan à récupération d'urgence, est un dispositif rétractable devant servir à protéger les ouvriers contre les chutes dans des espaces clos; il comporte un mécanisme à action rapide pour évacuation en cas d'urgence.

2.0 Exigences, Mises en Garde et Restrictions Générales

2.1 Exigences Générales

Les avertissements et instructions devront être mis à la disposition des personnes/utilisateurs autorisés.

Les personnes/utilisateurs autorisés doivent se reporter à la réglementation applicable en matière de sécurité en milieu de travail, ainsi qu'aux normes ANSI ou CSA pertinentes. Veuillez vous reporter aux étiquettes apposées sur les produits pour des informations plus détaillées sur les règlements OSHA, ainsi que les normes ANSI et CSA auxquelles ces produits sont conformes.

Toutes les personnes qui utilisent cet équipement doivent être formées au mode d'emploi adéquat dans les espaces clos.

Des précautions doivent être prises afin d'éliminer de la zone de travail les obstacles, débris, matériaux ou autres éléments présentant un danger et qui pourraient causer des blessures ou nuire au bon fonctionnement du système.

L'équipement doit être inspecté avant chaque utilisation selon les directives du fabricant.

L'équipement doit être régulièrement inspecté par une personne qualifiée.

Pour minimiser le risque de décrochage accidentel, une personne compétente doit s'assurer de la compatibilité du système.

Il est interdit de modifier l'équipement, de quelque façon que ce soit. Les réparations doivent être effectuées uniquement par le fabricant de l'équipement, ou par des personnes ou entités autorisées par écrit par le fabricant.

Tout produit déformé, anormalement usé ou détérioré doit être immédiatement mis au rebut.

Tout équipement soumis à une chute doit être mis hors service.

L'utilisateur doit posséder un plan de sauvetage et avoir les moyens de le mettre en œuvre lorsqu'il utilise cet équipement.

Ne jamais utiliser un équipement de protection contre les chutes dans un but autre que celui pour lequel il a été prévu. Ne jamais utiliser un tel équipement pour remorquer ou lever une charge.

Les matériaux synthétiques doivent être protégés contre le laitier (de soudure), les étincelles chaudes, les flammes nues ou autres sources de chaleur. Dans de tels cas, on recommande d'utiliser des matériaux résistant à la chaleur.

Dans la sélection d'équipement de protection contre les chutes, on doit tenir compte des risques environnementaux. Les équipements ne doivent pas être exposés aux dangers environnementaux ni aux produits chimiques qui peuvent produire un effet nocif. Pour utiliser l'équipement dans des environnements hautement corrosifs ou caustiques, il faut mettre en place un programme d'inspection et d'entretien à intervalles rapprochés pour maintenir l'intégrité du dispositif.

Éviter tout contact entre un équipement et un objet susceptible de l'endommager, incluant notamment, sans que la liste soit exhaustive : des arêtes vives, une surface abrasive, rugueuse ou à haute température, du matériel de soudage, une source de chaleur, un appareil électrique présentant un danger ou une machine mobile.

Ne pas exposer les équipements aux dangers pour lesquels ils n'ont pas été conçus. En cas de doute, consulter le fabricant.

Toujours vérifier qu'il n'y a pas d'obstacles en dessous de la zone de travail et que le trajet en cas de chute est dégagé.

Prévoir une distance de dégagement suffisante en dessous de la surface de travail.

Ne jamais ôter une étiquette apposée sur un produit; des informations et avertissements importants y sont en effet inscrits à l'intention de la personne/de l'utilisateur autorisé.

2.2 Avertissements et Limitations

CAPACITÉ

Pour utilisation par UNE seule personne pour la protection contre les chutes et le sauvetage. La capacité maximale est de 310 lb (140,6 kg), y compris le poids corporel, les vêtements et les outils, sauf mention contraire sur l'étiquette. – NE PAS DÉPASSER CE POIDS.

Lorsqu'elles sont utilisées avec un absorbeur d'énergie Miller 928LS, les lignes de vie autorétractables de marque Miller ont une capacité maximale nominale de *400 lb (181,4 kg) dans des applications d'installation aérienne. L'absorbeur d'énergie doit être fixé entre l'amarrage métallique dorsal du harnais de l'utilisateur et la ligne de vie autorétractable. Une zone de dégagement supplémentaire en cas de chute est nécessaire pour cette configuration. Prière de se reporter à l'étiquette de l'absorbeur d'énergie afin de déterminer sa distance maximale d'allongement/de décélération et d'ajouter ce facteur au calcul de la zone de dégagement en cas de chute de votre ligne de vie autorétractable.

**Si le système est utilisé par un employé ayant un poids total, avec ses outils, se situant entre 310 lb (140,6 kg) et 400 lb (181,4 kg), l'employeur doit alors modifier les critères et protocoles afin d'assurer une protection adéquate pour de telles charges plus lourdes, sinon le système ne sera pas considéré comme conforme aux exigences de l'OSHA 1926.502(d)(16). [La plage de capacité ANSI est de 130 à 310 lb (59 à 140,6 kg).]*

La force requise pour activer les dispositifs de sauvetage lorsque le dispositif est chargé à capacité est de 22 lb (98N).

RÉTRACTION ET BLOCAGE DE LA LIGNE DE VIE

Ne pas utiliser le dispositif s'il ne se rétracte pas. Toujours maintenir la tension sur le câble de sécurité pendant la rétraction.

Le dispositif doit être soumis à des tests de verrouillage avant chaque usage. Ne pas utiliser le dispositif si les freins ne s'enclenchent pas.

UTILISATION

Ce dispositif est conçu pour les installations aériennes et des applications dans lesquelles l'unité est utilisée concurremment avec un support de montage et fixée à des ancrages approuvés par Honeywell, tels qu'un trépied ou un système de davier.

Ne pas utiliser ce dispositif pour une utilisation horizontale ou avec des systèmes de ligne de vie horizontale, sauf avec l'approbation du fabricant.

Ne jamais travailler au-dessus du dispositif.

Le dispositif doit être installé et utilisé de manière à réduire au minimum le risque d'une chute par balancement.

Faire en sorte que le câble de sécurité ne devienne pas lâche lorsqu'il est utilisé pour une protection anti-chute ou en mode sauvetage.

S'assurer que le câble de sécurité, dans quelque application que ce soit, ne plie pas ou ne soit soumis à des forces d'arrêt en cas de chute au-dessus de structures ou de bords de structures.

Ne jamais utiliser le dispositif comme un dispositif de contrainte ou de positionnement.

Le mécanisme de récupération dans ce dispositif NE DOIT ÊTRE UTILISÉ QU'EN CAS D'URGENCE. Ne pas utiliser pour hisser couramment des ouvriers ou des matériaux.

ENTRETIEN

Ne pas lubrifier ce dispositif.

Le dispositif doit être tenu propre et exempt de contaminants.

Ce dispositif doit être retiré du service si une partie quelconque du système semble endommagée ou ne passe pas l'inspection, ou si le dispositif a subi des contraintes d'arrêt de chute ou de sauvetage.

Ne pas tenter de réparer ce dispositif. Si le dispositif ne fonctionne pas comme il faut ou nécessite des réparations, retourner le dispositif au fabricant de l'équipement, ou au centre d'entretien autorisé par écrit par le fabricant, pour les réparations voulues.

3.0 Compatibilité du Système

La ligne de vie autorétractable Miller MightyEvac est conçue pour usage uniquement avec des composants approuvés par Honeywell. Les substitutions ou les remplacements par des combinaisons de composants ou de sous-systèmes non approuvés peuvent nuire à leur sécurité de fonctionnement réciproque et ainsi remettre en cause la compatibilité des éléments du système. Cette incompatibilité peut nuire à la sécurité et à la fiabilité de l'ensemble du système.

3.1 Composants du système antichute personnel

Une protection maximale du travailleur passe par la mise en place et l'utilisation adéquate de trois composants clés du système antichute personnel.

A. ANCRAGE/CONNECTEUR D'ANCRAGE

Le premier composant est l'ancrage/le connecteur d'ancrage. L'ancrage, également appelé point d'ancrage ou point de raccordement, est un point solide d'attache pour le raccordement des équipements et il doit pouvoir supporter 5 000 lb (22,2 kN) par travailleur ou satisfaire les exigences OSHA pour un facteur de sécurité de deux tel qu'une poutre en I ou autre structure de support. Un connecteur d'ancrage, tel que la sangle transversale, le boulon en D ou l'ancrage de crochet de tige d'armature, est parfois nécessaire pour un raccordement compatible entre le dispositif de raccord et l'ancrage.

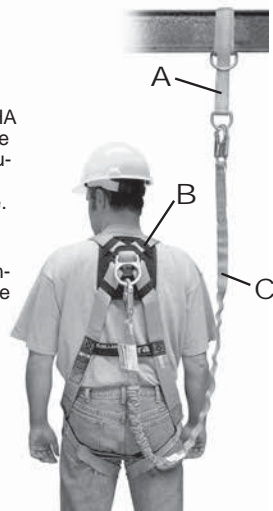
B. ÉQUIPEMENT DE PROTECTION INDIVIDUELLE

Le deuxième composant du système est l'équipement de protection personnelle que porte le travailleur durant l'exécution du travail. La seule forme de survêtement acceptable pour la protection contre les chutes est le harnais complet. Les harnais complets sont conçus de manière à faciliter l'arrêt d'une chute libre et ils doivent être portés chaque fois que les travailleurs sont exposés à un risque de chute libre.

C. DISPOSITIF DE CONNEXION

Le troisième composant du système est le dispositif de connexion, le lien critique qui joint le survêtement à l'ancrage/au connecteur d'ancrage. La caractéristique la plus importante du dispositif de connexion est l'absorbeur d'énergie incorporé. Que le dispositif soit une corde d'amarrage à absorbeur d'énergie ou un cordage de sécurité à rétraction automatique, il a été conçu pour réduire substantiellement les forces mises en jeu lors de l'arrêt d'une chute. Une corde d'amarrage constituée par une corde, une sangle ou un câble et servant de dispositif antichute DOIT ÊTRE utilisé en même temps qu'un absorbeur d'énergie (par exemple : enveloppe compacte SofStop de Miller).

Aucun de ces composants ne peut assurer à lui seul une protection contre les chutes. Cependant, lorsqu'il est utilisé correctement et en conjonction avec l'autre, ils forment un système antichute personnel qui devient une importance vitale pour la sécurité sur le chantier.



3.2 Instructions et Avertissements se Rapportant aux Composants

ANCRAGES/CONNECTEURS D'ANCRAGE

- Les ancrages doivent pouvoir supporter une charge de 5 000 livres (22.2 kN) ou satisfaire aux exigences 1926.502 de l'OSHA, avec une marge de sécurité de 2.
- Les exigences ANSI qui s'appliquent aux ancrages sont les suivantes :
 - L'ancrage non certifié d'un dispositif anti-chute doit supporter une charge statique de 5 000 lb (22.2 kN), tandis qu'un ancrage certifié doit supporter deux fois la force maximale mise en jeu lors de l'arrêt d'une chute.
 - L'ancrage utilisé dans un système servant au sauvetage doit supporter une charge statique de 3 000 lb (13.3 kN) s'il n'est pas certifié ou de cinq fois la charge appliquée s'il est certifié. (Nota : Lorsqu'un ancrage peut être utilisé pour un arrêt en cas de chute ET pour sauvetage, les exigences de charge en cas d'arrêt de chute s'appliquent.)
 - Lorsque plus d'un système est fixé à un ancrage, les résistances d'ancrage ci-dessus doivent être multipliées par le nombre de systèmes rattachés à l'ancrage.
- Toujours travailler directement sous le point d'ancrage, pour éviter toute blessure par chute avec déplacement latéral.
- Lors de la sélection d'un point d'ancrage, il faut toujours se reporter aux informations de calcul de la zone de dégagement de chute fournies avec le dispositif de connexion pour s'assurer que le point d'ancrage est à une hauteur qui ne permet pas à un utilisateur de frapper un point plus bas en cas de chute. Il ne faut pas oublier que les absorbeurs d'énergie s'allongent lorsqu'ils sont soumis aux forces d'arrêt de chute (pour de plus amples renseignements, prière de se reporter aux étiquettes/instructions fournies avec l'absorbeur d'énergie).
- Un connecteur d'ancrage doit être compatible avec le crochet mousqueton ou le mousqueton et ne doit en aucun cas faire supporter une charge au système d'ouverture.

ÉQUIPEMENT DE PROTECTION INDIVIDUELLE

- La seule forme de survêtement acceptable pour la protection contre les chutes est le harnais complet.
- Il est essentiel que le harnais soit porté adéquatement. Vérifier les boucles visuellement afin d'assurer des connexions adéquates et sûres avant chaque utilisation. Les sangles doivent être connectées et réglées pour un ajustement serré.
- Les dispositifs de connexion antichute doivent être fixés à l'anneau en D situé à l'arrière d'un harnais de sécurité complet. Un élément de fixation avant à anneau en D s'utilise comme dispositif anti-chute uniquement en cas de sauvetage, de maintien au travail, d'accès sur corde et pour toute application reconnue selon ANSI Z359.1 et dans laquelle le dispositif anti-chute individuel limite la distance de chute libre à 2 pi (0.6 m) et la force d'arrêt à 900 lb (4.0 kN).
- Les anneaux en D situés sur le côté et à l'avant doivent servir uniquement au maintien en place. (Remarquer l'exception ci-dessus concernant l'anneau en D).
- Un anneau en D au niveau de l'épaule doit servir uniquement à la fonction de sauvetage.
- Ne jamais fixer un crochet pélican à un anneau en D de harnais.
- Une ceinture de travail doit servir uniquement à la fonction de positionnement.

DISPOSITIFS DE CONNEXION

- Ne réaliser que des connexions compatibles.
- Utiliser uniquement des dispositifs de connexion de sécurité munis de crochets mousquetons à verrouillage ou de mousquetons à verrouillage automatique.
- Connecter les dispositifs de façon à limiter la chute libre à la distance la plus courte possible. [6 pi (1.8 m) au maximum]
- Toujours vérifier visuellement que chaque mousqueton engage librement l'amarrage métallique ou un point d'ancrage/connecteur d'ancrage du harnais et que son doigt d'ouverture est bien fermé et verrouillé. Ne jamais inactiver ou restreindre le doigt d'ouverture verrouillable ni modifier le dispositif de connexion de quelque manière que ce soit.
- S'assurer qu'un crochet mousqueton/mousqueton soit positionné de telle sorte que son système d'ouverture ne supporte jamais de charge.
- L'utilisation d'absorbeurs d'énergie est nécessaire pour réduire les forces d'arrêt de la chute. Tous les absorbeurs d'énergie, longues d'absorption d'énergie et lignes de vie autorétractables Miller limitent les forces d'arrêt de chute maximales à 1 800 lb (8 kN) ou moins.
- Ne jamais laisser une longe/ligne de vie passer sous les bras, les jambes ou le cou de l'utilisateur ou sous tout autre obstacle ni s'emmêler avec ceux-ci.
- Ne pas faire de nœud dans une corde d'amarrage ou un cordage de sécurité ou l'enrouler autour d'arêtes brutes ou coupantes ou encore d'éléments de structure de petit diamètre.
- Ne jamais fixer plusieurs cordes d'amarrage les unes aux autres ou fixer une corde d'amarrage sur elle-même, à moins qu'elle ait été spécialement conçue à cet effet.

4.0 Fonctionnement

Fonctionnement du mécanisme de récupération

—POUR UTILISATION EN CAS D'URGENCE SEULEMENT—

Le mécanisme de récupération MightEvac doit être utilisé uniquement en cas d'urgence. Ne pas utiliser pour hisser couramment des personnes ou des matériaux.

NOTA: Il est recommandé de dérouler plusieurs pieds de câble de sécurité et de le tenir en position avant d'engager le mécanisme de récupération. Toujours maintenir la tension sur le câble quand il est en mode de récupération.

Retirer la goupille du poussoir jusqu'au dégage-ment du cliquet. Il se peut qu'il faille faire pivoter le cliquet légèrement pour engager complètement les engrenages internes. Le cliquet doit reprendre sa position initiale lorsque les engrenages internes sont entièrement engagés. Le dispositif est alors en mode de récupération.

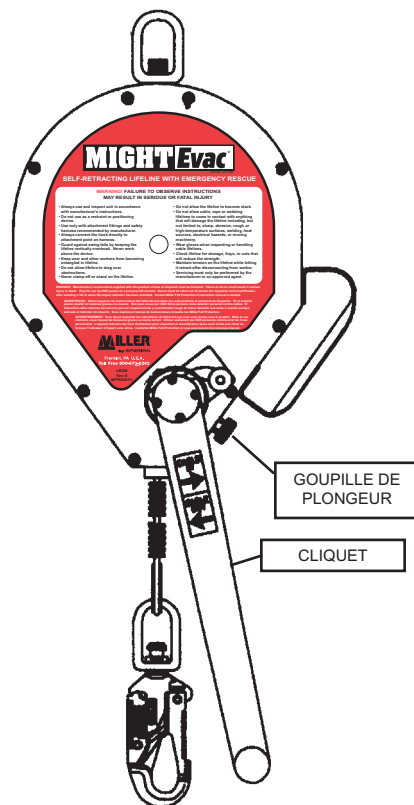
NOTA: Un sauvetage peut s'effectuer en élevant ou en abaissant la personne pour l'amener en sécurité.

POUR ÉLEVER: Tout en maintenant une faible tension sur le câble de sécurité, faire pivoter le cliquet dans le sens anti-horaire (CCW) pour réintégrer le câble dans le boîtier.

POUR ABAISSER: Pour tirer le câble du boîtier, faire pivoter le cliquet dans le sens horaire (CW).

[**NOTA :** Si le mécanisme de freinage interne a été activé, comme pour un arrêt de chute, il faut d'abord faire tourner la manivelle vers le haut (CCW) d'une demie à une pleine rotation, puis de renverser la direction (CW) pour amorcer l'abaissement. Un minimum de 75 lb (34 kg) est requis pour abaisser.]

MISE EN GARDE: Toujours s'assurer que la goupille du piston est retournée complètement dans la position verrouillée lorsqu'on change le dispositif du mode rétractable au mode de récupération. Ne pas utiliser le dispositif s'il ne maintient pas la charge en mode de récupération.



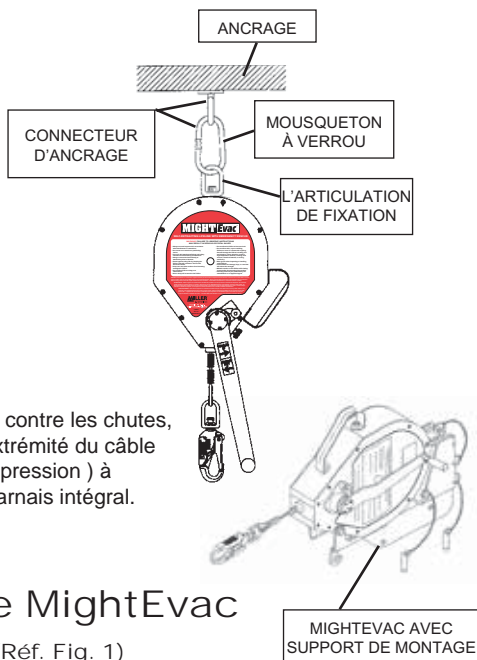
Fonctionnement du câble de sécurité autorétractable

Pour retourner le dispositif au mode rétractable, enlever le poids du câble et attacher l'extrémité du câble; il se mettra à se rétracter une fois que les engrenages internes seront dégagés. Tirer la goupille du plongeur et la tenir. Pousser à l'intérieur sur le cliquet pour dégager les engrenages et faire tomber la goupille dans la position verrouillée.

5.0 Installation

5.1 Installation générale et établissement des raccords

Le câble de sécurité autorétractable Might-Evac doit être monté à un ancrage surélevé par l'articulation de la fixation au moyen d'un mousqueton à verrou ou autre connecteur d'ancrage Miller approuvé, ou il doit être utilisé conjointement avec un support de fixation Miller qui est alors installé sur un trépied, un système de davier, un quadripode ou un montage mural. L'ancrage doit pouvoir supporter une charge de traction de 5 000 lb (22.2 kN) ou satisfaire aux exigences 1926.502 de l'OSHA pour un facteur de sécurité de deux. Bien lire toutes les mises en garde et instructions pour le choix d'un emplacement de montage.



Pour une protection générale contre les chutes, raccorder le connecteur à l'extrémité du câble de sécurité (c.-à-d. boucle à pression) à l'anneau dorsal en D sur le harnais intégral.

5.2 Installation du câble MightEvac au support de fixation (Réf. Fig. 1)

Étape 1: Retirer les étiquettes protectrices rouges et rondes des deux côtés de l'unité MightEvac.

Étape 2: Insérer l'articulation de l'unité dans le support de fixation tel qu'illustré.

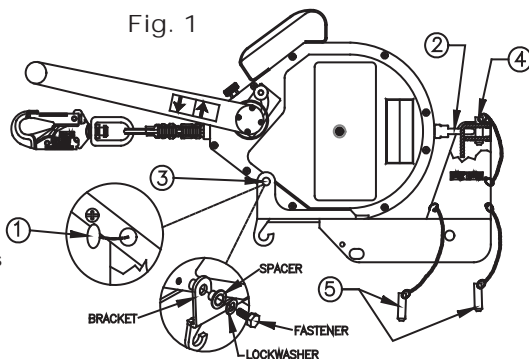
Étape 3: Faire glisser l'unité vers l'avant jusqu'à ce que les trous du boîtier (où les étiquettes ont été retirées) s'alignent avec ceux à l'avant du support de fixation, tel qu'illustré.

NOTA: La poignée de l'unité doit pointer vers le haut et à l'écart du support de fixation.

Insérer l'attache dans la rondelle de sécurité, l'entretoise et le trou dans le support de fixation. Serrer à 8 pi-lb (+/- 1) ou à 96 po-lb (+/- 12). Répéter l'opération pour le côté opposé.

Étape 4: Insérer la goupille de poussée à travers le support de fixation dans les trous pratiqués. Cette opération attache solidement l'unité au support. S'assurer que la goupille de poussée est solidement à travers les deux trous et se maintient en place.

Étape 5: Attacher l'unité avec le support de fixation à un dispositif d'ancrage Miller approuvé et fixer solidement avec les goupilles de poussée fournies. Voir les méthodes d'installation aux sections 5.3, 5.4, 5.5, 5.6 et 5.7 du présent manuel.



Pour enlever l'unité, il suffit de renverser les étapes ci-dessus.

5.3 Pose sur un trépied (Réf. Fig. 2a et 2b)

Étape 1: Placer le crochet du support sur la goupille de réglage.

Étape 2: Faire pivoter le support vers la patte du trépied jusqu'à ce que les trous supérieurs du support dépassent la patte, puis insérer à fond la goupille par les deux côtés du support. (NOTA: La goupille doit passer derrière la patte du trépied et non à travers celle-ci – Voir Fig. 2b.)

Étape 3: Aligner les trous inférieurs du support avec les trous de la patte du trépied, puis insérer la goupille à travers le support et la patte. S'assurer que la goupille traverse complètement le support et la patte du trépied.

Pour retirer le dispositif, effectuer simplement l'opération inverse. **MISE EN GARDE:** Ne pas enlever la goupille qui relie la patte du trépied, car il y aurait risque de blessure.

Fig. 2a

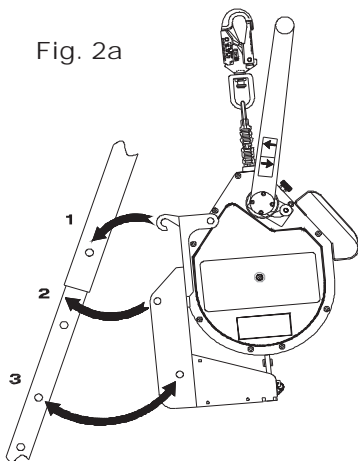
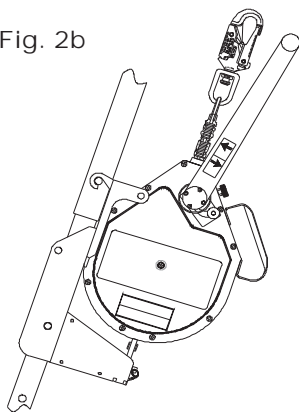


Fig. 2b



5.4 Procédé d'installation au mât DuraHoist

(Réf. Fig. 3a, 3b et 3c) ou au davier (Réf. Fig. 4)

Installation au mât DuraHoist

Étape 1: Installer le support de montage DuraHoist DH-19-MILLER au mât selon les instructions relatives au DuraHoist.

Étape 2: Sur le support de fixation MightEvac, insérer uniquement le goupille du dessus.

Étape 3: En tenant l'unité MightEvac par la poignée à l'arrière et en s'assurant que la goupille insérée se trouve dans la moitié supérieure du support, suspendre le MightEvac sur le support DuraHoist.

Étape 4: Attacher solidement en insérant la deuxième goupille à travers les séries de trous du bas des supports DuraHoist et MightEvac.



Fig. 3a



Fig. 3b



Fig. 3c

Installation au davier DuraHoist

Étape 1: Installer le support de montage DuraHoist DH-AP-11 au davier selon les instructions relatives au DuraHoist.

Étape 2: Suivre les étapes 2 à 4 ci-dessus pour attacher solidement le support MightEvac au support DuraHoist.

Pour enlever le dispositif, il suffit de renverser les étapes d'installation.



Fig. 4

5.5 Pose sur un dispositif à davier (Réf. Fig. 5)

Étape 1: Placer le support sur le dispositif à davier, aligner les trous supérieurs avec le trou du dispositif, puis insérer à fond la goupille dans le support et le dispositif à davier.

Étape 2: Aligner les trous inférieurs du support avec les trous du dispositif à davier. Insérer à fond la goupille dans le support et le dispositif à davier.

Pour dégager l'appareil, il suffit d'effectuer l'opération inverse.

Fig. 5

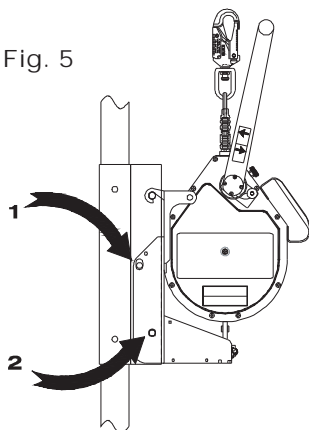
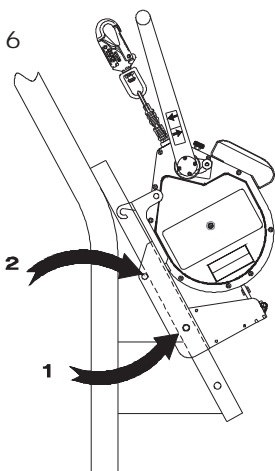


Fig. 6



5.6 Pose sur un dispositif à quatre pattes (Réf. Fig. 6)

Étape 1: Placer le support sur le tube du dispositif à quatre pattes, puis aligner les trous inférieurs du support avec les trous désirés du tube du dispositif. Insérer à fond la goupille dans le support et le tube.

Étape 2: Enfoncer la goupille dans les trous supérieurs du support passant derrière le tube du dispositif à quatre pattes. S'assurer que la goupille traverse complètement les deux côtés du support.

Pour dégager l'appareil, il suffit d'effectuer l'opération inverse.

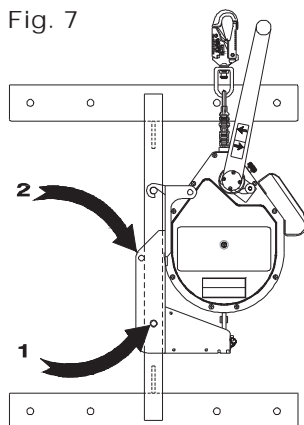
5.7 Pose sur un dispositif mural (Réf. Fig. 7)

Étape 1: Placer le support sur le tube du dispositif mural, aligner les trous inférieurs du support avec le trou désiré du dispositif mural, puis insérer à fond la goupille dans le support et le tube du dispositif mural.

Étape 2: Enfoncer la goupille dans les trous supérieurs du support passant derrière le tube du dispositif mural. S'assurer que la goupille traverse complètement les deux côtés du support.

Pour dégager l'appareil, il suffit d'effectuer l'opération inverse.

Fig. 7



6.0 Calcul de la distance de la zone de dégagement en cas de chute

Il est essentiel de comprendre la manière de calculer la distance de la zone de dégagement en cas de chute pour éviter tout contact avec un niveau inférieur. Utiliser le calcul suivant pour déterminer la zone de dégagement requise en cas de chute.

Calcul de la zone de dégagement en cas de chute
pour la ligne de vie autorétractable

[Calcul effectué depuis la hauteur où est effectué le travail]

Distance d'arrêt maximum

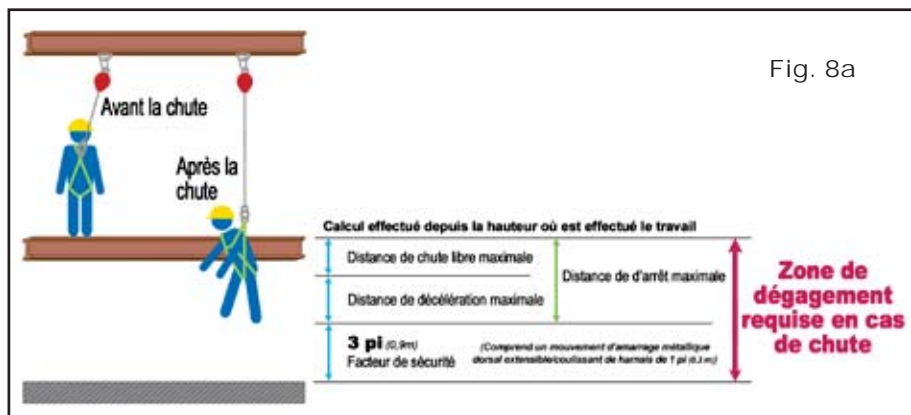
+ (Facteur de position de travail non debout)

+ (Facteur de chute en balancement)

+ **Facteur de sécurité de 3 pi (0,9m)**

= Zone de dégagement requise en cas de chute

MISE EN GARDE : Prière de lire toutes les remarques et de se reporter à tous les schémas de zone de dégagement en cas de chute pour ligne de vie autorétractable afin de déterminer la zone de dégagement requise en cas de chute pour votre application.



REMARQUES IMPORTANTES :

(voir Fig. 8a, 8b, 8c & 8d.)

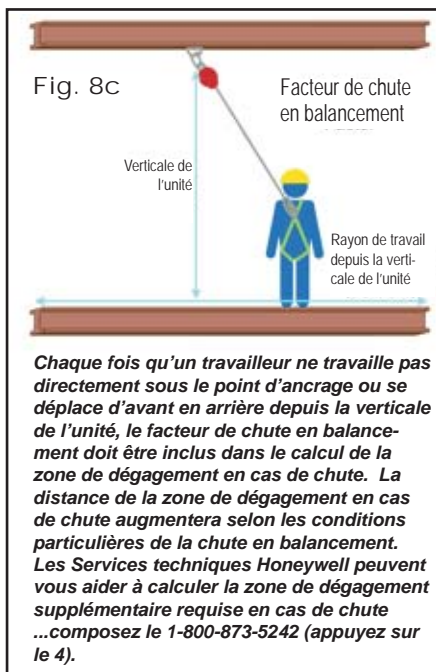
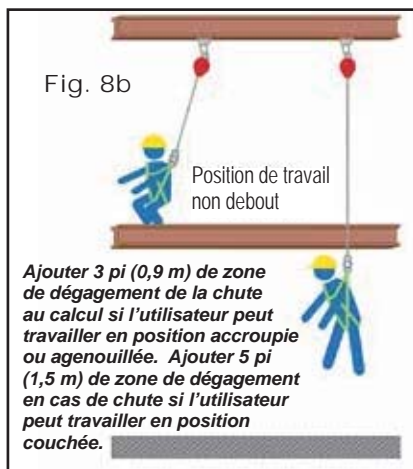
La ligne de vie autorétractable doit être ancrée en haut pour assurer l'exactitude du calcul de la zone de dégagement en cas de chute et des informations connexes.

Il importe de comprendre que d'autres facteurs, notamment si l'utilisateur effectue le travail en position debout, accroupie ou couchée et/ou si l'utilisateur travaille directement sous le point d'ancrage ou à angle, peuvent affecter la distance de chute lors de l'utilisation d'un dispositif rétractable.

Le calcul de la zone de dégagement en cas de chute pour la ligne de vie autorétractable présume que l'utilisateur est en position debout. Si l'utilisateur effectue du travail en position accroupie ou agenouillée, il faut ajouter 3 pi (0,9 m) à la zone de dégagement en cas de chute. Si l'utilisateur effectue du travail en position couchée, il faut ajouter 5 pi (1,5 m) à la zone de dégagement en cas de chute.

Le calcul de la zone de dégagement en cas de chute pour la ligne de vie autorétractable présume également que l'utilisateur travaille directement sous le point d'ancrage, minimisant ainsi la possibilité d'une chute en balancement. Dans une situation de chute en balancement, la distance de chute totale sera plus grande que si l'utilisateur travaillait directement sous le point d'ancrage. Dans certaines applications, il peut ne pas être possible de travailler directement sous le point d'ancrage. Dans un tel cas, le travailleur doit augmenter la distance de la zone de dégagement en cas de chute afin de tenir compte du facteur de chute en balancement. De toute manière, le travailleur ne doit pas être exposé à une éventuelle chute en balancement où il peut y avoir contact avec un autre objet.

La distance d'arrêt maximale (chute libre + décélération) varie selon la ligne rétractable. Il convient de toujours se reporter aux étiquettes du produit particulier afin de déterminer la distance d'arrêt maximale.



Pour toute question sur le calcul de la distance de la zone de dégagement en cas de chute, veuillez communiquer avec les Services techniques Honeywell :

1-800-873-5242 (appuyez sur le 4)

7.0 Formation

L'utilisateur et l'acheteur de cet équipement doivent s'assurer de bien connaître ces instructions et d'être adéquatement formés au fonctionnement, aux limites, à l'installation, à l'inspection et à l'entretien de ce produit. La formation doit se donner périodiquement et sans exposer l'apprenti à des dangers de chute.

NOTA: Une formation excessive sur ce dispositif peut entraîner l'usure des engrenages dans l'unité, ce qui réduit sa durée utile et exige un entretien plus fréquent. Le mécanisme de récupération dans ce dispositif est pour urgence seulement. Ne pas utiliser pour hisser couramment des personnes ou des matériaux.

Miller Training peut fournir les connaissances et les techniques nécessaires pour réaliser un milieu de travail sûr et plus productif. Pour plus de renseignements, communiquer avec un représentant dès aujourd'hui, au 1 (800) 873-5242.

8.0 Inspection et Entretien

8.1 Points de contrôle pour l'inspection et le fonctionnement

MISE EN GARDE: Les points de contrôle et inspections suivants doivent être exécutés avant chaque usage.

ATTENTION: Toujours porter des gants lorsqu'on inspecte les cordes / câbles métalliques; des brins brisés peuvent causer des blessures !

1. **Boîtier et pièces du dispositif / Support de montage:** Inspecter le dispositif pour s'assurer qu'il n'y a pas d'attaches libres ni de pièces pliées, craquelées, déformées, usées, endommagées ou qui fonctionnent mal.
2. **Câbles de sécurité:**
 - a. Avec le dispositif installé, vérifier la rétraction et la tension du câble de sécurité en déroulant plusieurs pieds de câble et le faire réintégrer le dispositif. Toujours maintenir une légère tension sur le câble pendant la rétraction. Le câble devrait se tirer facilement et se rentrer complètement.

Si le câble ne se tire pas facilement ou résiste à la rétraction, dérouler tout le câble hors du boîtier et lui permettre de se rétracter lentement sous tension. Ne pas utiliser le dispositif si les câbles de sécurité ne se rétractent pas comme il faut.
 - b. Vérifier régulièrement le câble de sécurité pour y détecter des signes de dommages. Vérifier la présence de coupures, de brûlures, de corrosion, d'enroulements, d'éraillures, de parties usées, de brins brisés ou de dommages causés par des produits chimiques.
3. **Mécanisme de freinage:** On peut vérifier le mécanisme de freinage en saisissant le câble de sécurité AU-DESSUS de l'indicateur de charge et en appliquant une bonne pression constante vers le bas, ce qui devrait enclencher les freins. Il ne doit pas y avoir de glissement du câble lorsque les freins sont appliqués. Dès que la tension est supprimée, les freins se dégagent et le dispositif revient au mode rétractable.
4. **Boucle à pression:** Inspecter attentivement la boucle à pression pour voir s'il est endommagé, déformé, fissuré, corrodé ou troué. Le doigt de la boucle à pression doit caler dans le nez sans gripper et ne doit pas être plié, déformé ou obstrué. Le ressort du doigt d'ouverture doit exercer une force suffisante pour le fermer solidement. Le mécanisme de verrouillage de du doigt d'ouverture doit l'empêcher de s'ouvrir lorsqu'il est fermé. L'émerillon du boucle à pression doit fonctionner en douceur.
5. **Indicateur de charge:** Inspecter l'indicateur de charge pour détecter des signes d'activation. L'indicateur de charge est situé dans l'articulation de la boucle à pression. L'œillet de l'articulation s'allongera et dévoilera une section rouge à l'endroit illustré lorsqu'il est soumis à des forces d'arrêt de chute.
6. **Mécanisme de récupération:** S'assurer que le mécanisme de récupération et ses composants associés fonctionnent adéquatement selon les instructions de fonctionnement (voir section 4.0 du présent manuel).
7. **Étiquettes/marquages:** S'assurer que toutes les étiquettes et tous les marquages sont présents et lisibles.



LES DISPOSITIFS QUI N'ONT PAS PASSÉ L'INSPECTION OU QUI ONT SUBI DES CONTRAINTES D'ARRÊT DE CHUTE DOIVENT ÊTRE RETIRÉS DU SERVICE.

8.2 Entretien

Grâce à un entretien de base, on prolonge la durée de vie des équipements antichute et on leur permet de mieux remplir leur fonction de sécurité vitale.

Entretien

L'entretien de la ligne de vie autorétractable Miller MightEvac ne doit être effectué que par Honeywell Safety Products ou par des personnes ou entités autorisées par écrit par Honeywell. On doit tenir un registre de toutes les dates d'entretien et d'inspection pour ce dispositif. Seules les pièces de rechange Miller d'origine sont approuvées pour être utilisées dans ce dispositif. Les dispositifs réparables doivent être retournés à nos établissements ou à un centre de service approuvé chaque fois qu'ils ont été soumis à des contraintes d'arrêt de chute, pour fins d'inspection et de recertification. Dans le cas des dispositifs non réparables qui ne sont pas acceptés à l'inspection, on doit s'en défaire de façon à éviter qu'on les utilise éventuellement par inadvertance. Communiquez avec votre distributeur Honeywell ou appelez les Services techniques Honeywell au 1-800-873-5242 (appuyez sur le 4) pour un numéro d'autorisation de retour.

Les câbles de sécurité autorétractables de Miller n'exigent pas de recertification annuelle de l'usine.*

**[Nota pour les produits approuvés par l'ACNOR : la norme Z259.2.2-98 de l'ACNOR stipule que les dispositifs de types 2 et 3 doivent être retournés au fabricant ou à un agent de service autorisé au plus tard deux ans suivant la date de fabrication en vue de leur inspection et de leur maintenance, et chaque année par la suite.]*

**[Remarque pour les produits approuvés par ANSI : La norme ANSI Z359.14 nécessite une inspection des appareils qui est autorisée par l'usine. La fréquence repose sur le type et les conditions d'usage. Prière de se reporter à l'Annexe A : Exigences d'inspection selon la norme ANSI Z359.14.]*

Nettoyage et entreposage

Nettoyer périodiquement l'extérieur du dispositif et essuyer la longe ou le câble de sécurité à l'aide d'un chiffon humide et d'un détergent doux. Éponger avec une serviette. Lorsque le produit n'est pas en usage, le ranger dans un endroit propre et sec, non exposé à la chaleur, à la lumière, à l'humidité excessive, à l'huile, aux produits chimiques, aux vapeurs ou à d'autres éléments causant une détérioration. **La longe ou le câble de sécurité doivent être rentrés complètement dans le dispositif lorsqu'ils ne sont pas en usage.**

Gracias

Gracias por comprar el equipo de protección contra caídas Miller fabricado por Honeywell Safety Products. Los productos de la marca Miller son manufacturados para cumplir con las más altas normas de calidad en nuestra fábrica, la cual posee la certificación ISO 9001. Cuidados como es debido, los equipos anticaídas Miller le servirán muchos años.

ADVERTENCIA

Toda persona que use este equipo debe leer, comprender y seguir cabalmente todas las instrucciones. No hacerlo podría tener como consecuencia lesiones graves o mortales. No use este equipo si no ha sido debidamente entrenado.

¿Consultas?

LLAMAR AL
1.800.873.5242

Es fundamental que la persona o usuario autorizado de este equipo anticaídas lea y comprenda las presentes instrucciones. Además, la ley federal requiere que los empleadores se aseguren de que todos los usuarios reciban capacitación en instalación, uso, inspección y mantenimiento apropiados para el equipo de protección contra caídas y de espacio confinado. La capacitación anticaídas debe ser parte integral de un programa completo de seguridad.

La utilización correcta de los sistemas de detención de caídas puede salvar vidas y disminuir las posibilidades de lesiones graves en caso de una caída. Los usuarios deben estar conscientes de que las fuerzas ejercidas para detener una caída o durante una suspensión prolongada pueden causar lesiones. Consulte a un médico en caso de duda sobre la capacidad del usuario para emplear este producto. Las mujeres embarazadas y los niños no deben usar este producto.

1.0 Propósito

La cuerda salvavidas autorretráctil Miller MightEvac con izador para rescate de emergencia es un dispositivo retráctil diseñado para fines de protección anticaídas en espacios confinados con un mecanismo de rescate de activación rápida para evacuaciones de emergencia.

2.0 Requisitos, Advertencias y Limitaciones Generales

2.1 Requisitos Generales

Deben suministrarse a las personas y usuarios autorizados todas las advertencias e instrucciones.

Todas las personas y usuarios autorizados deben consultar los reglamentos de seguridad laboral y las normas ANSI o CSA que correspondan. Las etiquetas del producto contienen información sobre los reglamentos OSHA y las normas ANSI y CSA que cumple el producto.

Todas las personas o usuarios autorizados de este equipo deben ser entrenados en los debidos procedimientos en espacios confinados.

Siempre deben tomarse las debidas precauciones al retirar del área de trabajo obstrucciones, basura, material y otros peligros reconocidos que pudieran causar lesiones o interferir en el funcionamiento del sistema.

Todo el equipo debe ser inspeccionado visualmente antes de cada uso de conformidad con las instrucciones del fabricante.

Todo el equipo debe ser inspeccionado con regularidad por una persona calificada.

A fin de reducir al mínimo las posibilidades de un desenganche accidental, una persona competente debe garantizar la compatibilidad del sistema.

El equipo no debe ser alterado de ninguna forma. Las reparaciones deben ser efectuadas exclusivamente por el fabricante del equipo o bien por personas o entidades autorizadas por escrito por el fabricante.

Todo producto con deformidades, desgaste anormal o deterioro debe ser desechado de inmediato.

Todo equipo sometido a una caída debe ser 29 puesto fuera de servicio.

El usuario debe contar con un plan y medios de rescate a mano para poder aplicarlos al usar este equipo.

Jamás lo utilice para fines distintos al proyectado. No use jamás el equipo para remolcar o izar objetos.

Debe protegerse todo el material sintético con el objeto de mantenerlo alejado de escorias, chispas calientes, llamas y otras fuentes de calor. Para tales usos se recomienda el uso de materiales resistentes al calor.

Al seleccionar equipo anticaídas deben tomarse en cuenta los riesgos medioambientales. El equipo no debe ser expuesto a los peligros ambientales y químicos que pueden producir un efecto dañino. El uso del equipo en entornos muy corrosivos o cáusticos exige un programa de inspecciones y servicio más frecuentes para garantizar la integridad continuada del dispositivo.

No permita que la cuerda o el tejido entren en contacto con cualquier cosa que pueda dañarlos, como superficies afiladas, abrasivas, ásperas o a alta temperatura, soldadura, fuentes de calor, peligros eléctricos o maquinaria en movimiento.

No exponga el equipo a ningún daño que el equipo no esté diseñado para soportar. Consulte al fabricante en caso de dudas.

Siempre revise para ver si hay obstrucciones abajo del área de trabajo con el fin de asegurarse de que esté despejada la trayectoria de una posible caída.

Deje una distancia segura de caída adecuada abajo de la superficie de trabajo.

Nunca desprenda etiquetas de los productos, las cuales pueden incluir importantes advertencias e información para la persona o usuario autorizado.

2.2 Advertencias y Limitaciones

CAPACIDAD

Para uso de UNA sola persona, para aplicaciones de protección contra caídas y rescate. La capacidad máxima es de 310 lbs (140,6 kg), incluyendo el peso corporal, ropa y herramientas, a menos que la etiqueta indique lo contrario. — NO EXCEDA ESTE PESO.

Cuando es usado con un amortiguador Miller 928LS, las cuerdas de seguridad autorretráctiles de marca Miller están clasificadas para una capacidad máxima de *400 lbs (181,4 kg) para aplicaciones de instalación elevadas. El amortiguador debe ser adjuntado entre el anillo en forma de D posterior del arnés del usuario y la cuerda de seguridad autorretráctil. Se necesitan márgenes de caída adicionales para esta configuración. Consulte la etiqueta del amortiguador para determinar su distancia máxima de alargamiento/desaceleración y agregue este factor a su cálculo de margen de caída de la cuerda de seguridad autorretráctil.

**Nota: Si el sistema es utilizado por un trabajador con un peso total (cuerpo y herramientas) entre 310 lb (140,6 kg) y 400 lb (181,4 kg), entonces el empleador debe modificar como corresponda los criterios y protocolos a fin de proporcionar la debida protección para tales pesos más pesados, o el sistema no se considerará estar en cumplimiento de los requisitos de la norma OSHA 1926.502(d)(16). [El rango de capacidad de ANSI es de 130 lbs. a 310 lbs. (59 kg-140,6 kg).]*

La fuerza requerida para utilizar las características de rescate del dispositivo es 98 N (22 lb).

RETRACCIÓN Y BLOQUEO DE LA CUERDA DE SEGURIDAD

No use el dispositivo si no se retrae. Siempre mantenga tensión en la cuerda salvavidas mientras se retrae.

El aseguramiento del dispositivo debe probarse antes de cada uso. No use el dispositivo si no se activa el freno.

USO

Este dispositivo está diseñado para ser aplicado en instalaciones elevadas y donde la anclada sea usada en conjunto con una abrazadera de montaje y sea instalada a los anclajes aprobados por Honeywell, tales como un trípode o un pescante.

No utilice este dispositivo de forma horizontal o con sistemas horizontales de cuerdas de seguridad, a menos que sea aprobado por el fabricante.

Nunca trabaje arriba del dispositivo.

Este dispositivo debe instalarse y usarse de tal manera que se reduzca al mínimo la posibilidad de una caída columpiada.

Nunca permita que una cuerda salvavidas se ponga holgada mientras esté usándose para protección anticaídas o mientras está en modo de rescate.

No permita que la cuerda salvavidas se doble o someta a fuerzas de detención de caída sobre miembros o bordes estructurales.

Ne jamais utiliser le dispositif comme un dispositif de contrainte ou de positionnement.

El mecanismo de rescate de este dispositivo es **SÓLO PARA EMERGENCIAS**. No debe usarse para el izado normal de personal o materiales.

MANTENIMIENTO

No lubrique este dispositivo.

El dispositivo debe mantenerse limpio y libre de contaminantes.

Debe retirarse del servicio la unidad si cualquier parte del sistema de la misma parece dañada o no pasa la inspección, o si la unidad ha sido sujeta a las fuerzas de detención de una caída o está afectando un rescate.

No intente dar servicio a este dispositivo. Si el dispositivo no funciona debidamente o necesita repararse, envíela para su reparación al fabricante del equipo o a un centro de servicio autorizado por el fabricante.

3.0 Compatibilidad del Sistema

Las cuerdas de seguridad autorretráctiles MightyEvac de Miller están diseñadas solo para usarse con componentes aprobados por Honeywell. La sustitución o reemplazo de dichos componentes con combinaciones no aprobadas de componentes o subsistemas, puede afectar o interferir en el funcionamiento seguro de cada componente y poner en peligro la compatibilidad dentro del sistema. Esta incompatibilidad puede afectar la fiabilidad y seguridad del sistema total.

3.1 Componentes del sistema personal de frenado de caídas

Tres componentes principales del sistema personal de frenado de caídas deben estar en su lugar y usarse debidamente para que puedan proporcionar la máxima protección al trabajador.

A. ANCLAJE/CONECTORE DE ANCLAJE

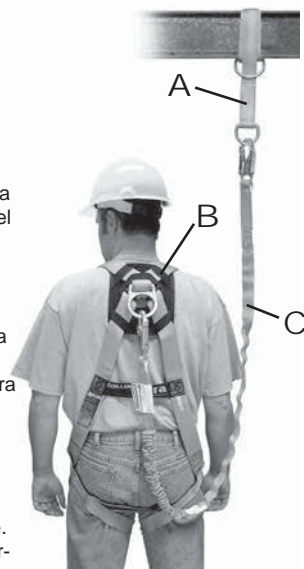
El primer componente es el anclaje/conector de anclaje. El anclaje, también conocido como el punto de anclaje o punto de amarre, es un punto de ajuste seguro para dispositivos de conexión y debe ser capaz de aguantar 5000 lbs (22,2 kN) por trabajador o cumplir con los requisitos OSHA para uno o dos factores de seguridad, como vigas L u otra estructura de apoyo. A veces, un conector de anclaje, tal como la correa de sujeción, perno en forma de D o anclaje de gancho para barra de refuerzo, es necesario para realizar una conexión compatible entre el dispositivo de conexión y el anclaje.

B. APAREJO

El segundo sistema de componentes es el equipo de protección personal usado por el trabajador mientras realiza el trabajo. La única forma de prenda corporal aceptable para el frenado de caídas es el arnés de cuerpo completo. Los arneses de cuerpo completo están diseñados para ayudar a frenar caídas libres y debe usarse en situaciones donde los trabajadores estén expuestos a una posible caída libre.

C. DISPOSITIVO DE CONEXIÓN

El tercer componente del sistema es el dispositivo de conexión, el enlace crítico que une la prenda corporal al anclaje/conector de anclaje. La característica más importante del dispositivo de conexión es el amortiguador incorporado. Independientemente de que dicho dispositivo sea una cuerda de seguridad con amortiguador de impacto o una cuerda salvavidas retráctil, ambas están diseñadas para reducir de manera impresionante las fuerzas ejercidas para detener la caída. Las cuerdas de seguridad de fibra, tejidas o de alambre usadas para la detención de caídas DEBEN usarse conjuntamente con un amortiguador de impacto (por ejemplo, el paquete Miller SofStop).



De manera individual, ninguno de estos componentes ofrece protección contra una caída. Sin embargo, cuando se usa correctamente y en conjunción con otros, forman un sistema personal de frenado de caídas que se convierte en vital para la seguridad en el lugar de trabajo.

3.2 Advertencias y Limitaciones con Respecto a los Componentes

ANCLAJES/CONECTORES DE ANCLAJE

- Los anclajes deben ser capaces de soportar 5,000 libras (22.2 kN) o cumplir los requisitos de la norma OSHA 1926.502 con un factor de seguridad de dos.
- Los requisitos para el anclaje basados en las normas ANSI son como sigue:
 - Para los sistemas de detención de caídas, los anclajes deben poder soportar una carga estática de 5,000 lb (22.2 kN) en el caso anclajes no certificados o dos veces la fuerza de detención máxima en el caso de anclajes certificados.
 - Para los sistemas de rescate, los anclajes deben poder soportar una carga estática de 3,000 lb (13.3 kN) en el caso anclajes no certificados o cinco veces la carga aplicada en el caso de anclajes certificados. (Nota: Cuando un anclaje posiblemente pueda ser utilizado para detención de caídas Y para rescate, se aplica el requisito relacionado con la carga de detención de caída.)
 - Cuando se fija más de un sistema a un anclaje, se deben multiplicar las fuerzas de anclaje indicadas arriba por el número de sistemas fijados a dicho anclaje.
- Siempre trabaje directamente bajo el punto de anclaje para evitar una lesión por caída columpiada.
- Cuando seleccione un punto de anclaje, siempre consulte la información de cálculo del margen de caída brindada con el dispositivo de conexión para asegurarse de que el punto de anclaje esté a una altura que no permitirá que el usuario golpee un nivel inferior si ocurre una caída. Recuerde que los amortiguadores se alargarán cuando estén sujetos a fuerzas de frenado de caídas (consulte las etiquetas/instrucciones brindadas con el amortiguador para conocer detalles adicionales).
- El conector de anclaje debe ser compatible con el gancho de resorte o mosquetón, y no debe aplicar ninguna carga en el linguete.

APAREJO

- La única forma de prenda corporal aceptable para el frenado de caídas es el arnés de cuerpo completo.
- Es imperativo que el arnés sea usado apropiadamente. Cada vez antes de usar el equipo revise visualmente todas las hebillas para asegurarse de que las conexiones sea hayan realizado correctamente y sean seguras. Todas las correas deben estar conectadas y ajustadas para que ofrezcan un ajuste apretado.
- Los dispositivos de conexión para protección anticaídas deben estar conectados al anillo "D" posterior del arnés de cuerpo entero. Un elemento de fijación de anillo "D" frontal puede usarse para detención de caídas sólo en rescates, posicionamiento de trabajo, acceso con cuerda y otros usos reconocidos en la norma ANSI Z359.1, en los cuales el sistema personal de detención de caídas limita la distancia máxima de caída libre a 2 pies (0.6 m) y limita la fuerza máxima de detención a 900 lb (4.0 kN).
- Los anillos "D" laterales y frontales sólo deben usarse para posicionamiento. (Lea la excepción con respecto al anillo "D" señalada arriba.)
- Los anillos "D" para los hombros deben usarse exclusivamente para rescate.
- Jamás conecte un gancho (pelicano) de barra a un anillo "D" de un arnés.
- Los cinturones deben usarse sólo para posicionamiento.

DISPOSITIVOS DE CONEXIÓN

- Sólo conecte elementos compatibles.
- Use exclusivamente dispositivos de conexión con ganchos de resorte o mosquetones de autoaseguramiento.
- Conecte los componentes de manera tal que la caída libre se limite a la menor distancia posible [6 pies (1.8 m) máximo]
- Siempre revise visualmente que cada gancho de cierre instantáneo y mosquetón se enganche libremente con el anillo en forma de D o punto de anclaje/conector de anclaje y que su apertura (gancho pequeño) esté completamente cerrada y asegurada. Nunca inhabilite ni restrinja el gancho pequeño de seguridad ni altere el dispositivo de conexión de ninguna forma.
- Asegúrese de que el gancho de resorte o el mosquetón estén colocados de tal manera que no sometan a cargas al linguete.
- Se requiere el uso de amortiguadores para reducir las fuerzas de frenado de caídas. Todos los amortiguadores Miller, los cordones amortiguadores y las cuerdas de seguridad autorretráctiles limitan la fuerza de frenado de caídas máxima a 1800 lbs (8 kN) o menos.
- Nunca permita que el cordón/la cuerda de seguridad pase debajo o se enrede en los brazos, piernas o cuello del usuario o cualquier otro obstáculo.
- No haga nudos en las cuerdas de seguridad ni en las cuerdas salvavidas, ni las enrolle alrededor de bordes afilados o ásperos o de miembros estructurales delgados.
- No conecte varias cuerdas de seguridad entre sí, ni conecte una cuerda de seguridad a sí misma, salvo que esté específicamente diseñada para tal fin.

4.0 Manejo

Manejo en operaciones de rescate

—SÓLO PARA EMERGENCIAS—

El mecanismo de rescate MightEvac sólo debe usarse en caso de emergencia. No debe usarse para el izado normal de personal o materiales.

NOTA: Se recomienda extraer varios pies de cuerda salvavidas y mantenerla en su posición antes de engranar el mecanismo de rescate. Siempre mantenga la tensión en la cuerda salvavidas mientras el dispositivo esté en modo de rescate.

Extraiga el pasador móvil hasta que la manivela de trinquete salga. Puede ser necesario girar levemente la manivela para enganchar completamente los engranes internos. El pasador móvil regresa a su posición original una vez que los engranes están completamente enganchados. La unidad está ahora en modo de rescate.

NOTA: Un rescate puede llevarse a cabo ya sea subiendo o bajando a una persona a un punto seguro.

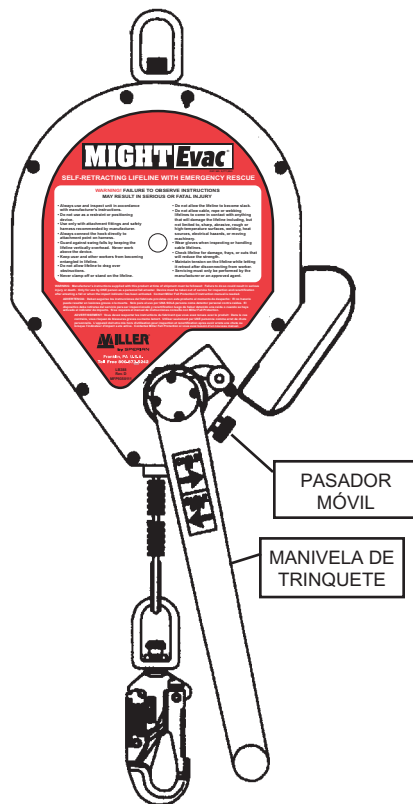
PARA SUBIR A UNA PERSONA: Mientras mantiene una tensión leve en la cuerda salvavidas, gire la manivela de trinquete hacia la izquierda (CCW - IZQ) para enganchar la cuerda salvavidas en el alojamiento.

PARA BAJAR A UNA PERSONA: Para desenrollar del alojamiento la cuerda salvavidas (para bajar a una persona), gire la manija de trinquete hacia la derecha (CW - DER). [NOTA: Si se ha activado el mecanismo de freno interno, como en una detención de caída, primero es necesario girar la manivela en la dirección de ascenso (CCW - IZQ) de media a una vuelta, y luego invertir la dirección de giro (CW - DER) para iniciar el descenso. Para el descenso se requiere una fuerza mínima de 75 lb (34 kg).]

ADVERTENCIA: Al cambiar la unidad de modo retráctil a modo de rescate, siempre asegúrese de que el pasador móvil haya regresado completamente a la posición de aseguramiento. No use la unidad si ésta no puede sostener la carga mientras está en modo de rescate.

Manejo de la cuerda salvavidas autorretráctil

Para poner de nuevo la unidad en modo retráctil, retire el peso de la cuerda de seguridad y asegure el extremo de ésta a medida que comience a retraerse una vez que se desenganchen los engranes internos. Extraiga el pasador móvil y manténgalo afuera. Empuje hacia adentro la manivela de trinquete para desenganchan los engranes y deje que el pasador regrese a la posición de aseguramiento.



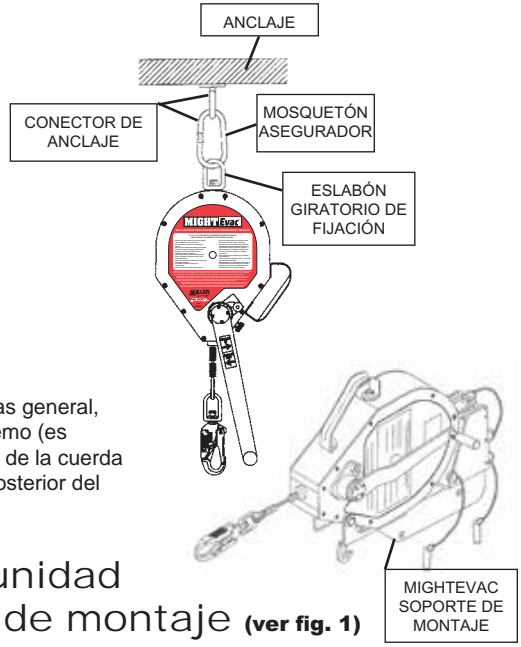
5.0 Instalación

5.1 Instrucciones generales de instalación y conexiones

La cuerda salvavidas autorretráctil Might-Evac debe fijarse a un anclaje arriba del nivel de la cabeza con el eslabón giratorio de fijación mediante un mosquetón asegurador u otro conector de anclaje aprobado por Miller, o debe usarse junto con un soporte de montaje Miller el cual se instala después en un trípode, sistema izador, cuatrípode o montura para la pared. El anclaje debe ser capaz de soportar 22.2 kN (5,000 lb) o cumplir los requisitos de la norma OSHA 1926.502 con un factor de seguridad de dos. Estudie todas las advertencias e instrucciones al seleccionar un lugar de montaje.

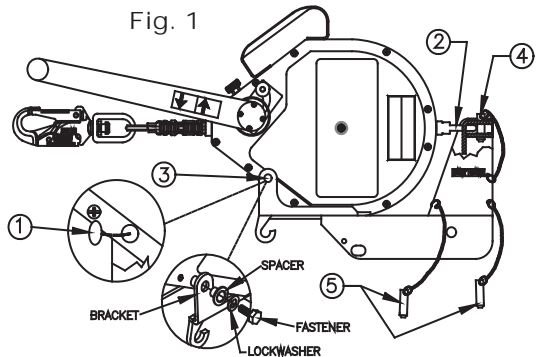


Para protección anticaídas general, conecte el conector extremo (es decir, gancho de resorte) de la cuerda salvavidas al anillo "D" posterior del arnés de cuerpo entero.



5.2 Instalación de la unidad MightEvac al soporte de montaje (ver fig. 1)

- Paso 1: Retire las calcomanías protectoras redondas de color rojo de ambos lados de la unidad Might-Evac.
- Paso 2: Introduzca el eslabón giratorio de fijación de la unidad en el soporte, como se muestra.
- Paso 3: Deslice la unidad hacia adelante hasta que los agujeros roscados del alojamiento (donde se retiraron las calcomanías) estén alineados con los de la parte frontal del soporte, como se muestra. **NOTA:** El asa de acarreo de la unidad debe estar en posición levantada, lejos del soporte. Introduzca el perno a través de la tuerca de seguridad, del separador y del agujero del soporte. Apriete el perno a $8 \pm 1 \text{ lb}\cdot\text{pie}$ ($96 \pm 12 \text{ lb}\cdot\text{pulg} / 11 \pm 1.4 \text{ N}\cdot\text{m}$). Repita la operación en el lado opuesto.
- Paso 4: Introduzca el pasador a través de los agujeros del soporte. De esta manera se fija la unidad al soporte. Asegúrese de que el pasador esté bien asegurado a través de ambos agujeros y permanezca en su lugar.
- Paso 5: Fije la unidad con el soporte a un dispositivo de anclaje Miller y asegúrela con los pasadores suministrados. Consulte los procedimientos de instalación descritos en las secciones 5.3, 5.4, 5.5, 5.6 y 5.7 de este manual.



Para retirar la unidad, lleve a cabo en orden inverso el procedimiento descrito arriba.

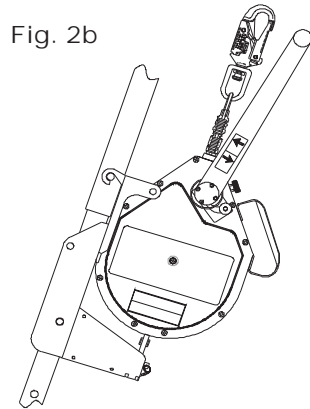
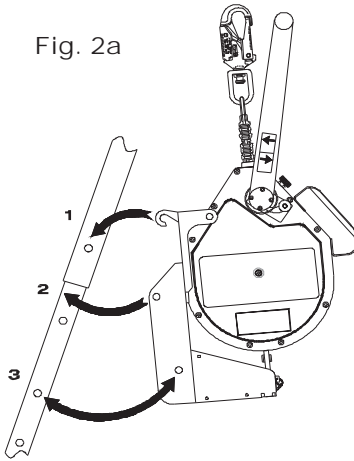
5.3 Procedimiento de instalación en un trípode (ver figs. 2a y 2b)

Paso 1: Coloque el gancho del soporte en el pasador de ajuste.

Paso 2: Gire el soporte hacia la pata del trípode hasta que los agujeros superiores del primero pasen dicha pata e introduzca completamente el pasador a través de ambos lados del soporte. (NOTA: Este pasador pasa por atrás de la pata del trípode, no a través de ella. Ver fig. 2b.)

Paso 3: Alinee los agujeros inferiores del soporte con los de la pata del trípode e introduzca el pasador a través del soporte y de dicha pata. Asegúrese de que el pasador esté completamente a través del soporte y de la pata del trípode.

Para retirar el dispositivo, lleve a cabo en orden inverso el procedimiento de instalación. **ADVERTENCIA:** Tenga cuidado de no retirar el pasador que asegura la pata del trípode, ya que pueden producirse lesiones serias.



5.4 Procedimiento de instalación en un mástil (ver figs. 3a, 3b y 3c) o en un brazo izador DuraHoist (ver fig. 4)

Instalación en un mástil DuraHoist

Paso 1: Instale el soporte de montaje MILLER DuraHoist DH-19 en el mástil según las instrucciones de instalación de equipo DuraHoist.

Paso 2: En el soporte de la unidad MightEvac, introduzca sólo el pasador superior.

Paso 3: Sujetando la unidad MightEvac por el asa posterior, y asegurándose de que el pasador introducido se encuentre en la mitad superior del soporte, cuelgue la unidad MightEvac en el soporte DuraHoist.

Paso 4: Asegure la instalación introduciendo el segundo pasador a través de los conjuntos de agujeros inferiores de ambos soportes, DuraHoist y MightEvac.



Fig. 3a



Fig. 3b



Fig. 3c

Instalación en un brazo izador DuraHoist

Paso 1: Instale el soporte de montaje DuraHoist DH-AP-11 en el brazo izador según las instrucciones de instalación de equipo DuraHoist.

Paso 2: Siga los pasos 2 a 4 descritos arriba para fijar el soporte MightEvac en el soporte DuraHoist.

Para retirar el dispositivo, lleve a cabo en orden inverso el procedimiento de instalación.



Fig. 4

5.5 Procedimiento de instalación en un sistema izador **(ver fig. 5)**

Paso 1: Coloque el soporte en el sistema izador, alinee los agujeros superiores del primero con el agujero de dicho sistema e introduzca completamente el pasador a través del soporte y del sistema izador.

Paso 2: Alinee los agujeros inferiores del soporte con los del sistema izador. Introduzca completamente el pasador a través del soporte y del sistema izador.

Para retirar el dispositivo, lleve a cabo en orden inverso el procedimiento de instalación.

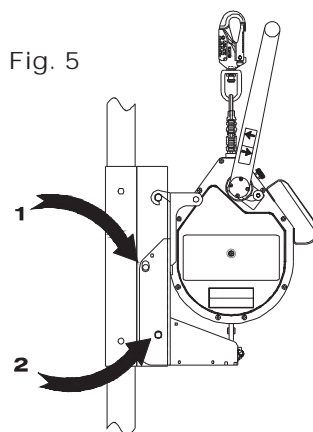
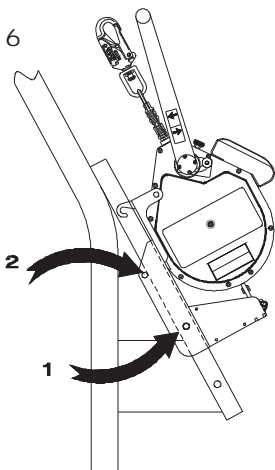


Fig. 5

Fig. 6



5.6 Procedimiento de instalación en un cuatrípode **(ver fig. 6)**

Paso 1: Coloque el soporte en los tubos del cuatrípode y alinee los agujeros inferiores del primero con los agujeros deseados de dichos tubos. Introduzca completamente el pasador a través del soporte y del cuatrípode.

Paso 2: Empuje el pasador a través de los agujeros superiores del soporte, por atrás de los tubos del cuatrípode. Asegúrese de que el pasador pase completamente a través de ambos lados del soporte.

Para retirar el dispositivo, lleve a cabo en orden inverso el procedimiento de instalación.

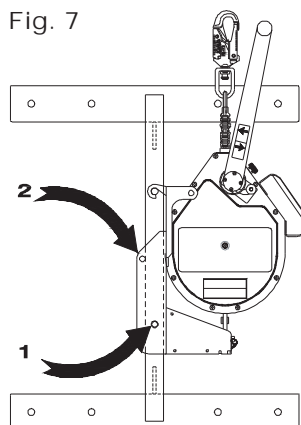
5.7 Procedimiento de instalación en una montura para pared **(ver fig. 7)**

Paso 1: Coloque el soporte en los tubos de la montura para pared, alinee los agujeros inferiores del primero con el agujero deseado de dicha montura e introduzca completamente el pasador a través del soporte y de los tubos de la montura.

Paso 2: Empuje el pasador a través de los agujeros superiores del soporte, por atrás de los tubos de la montura para pared. Asegúrese de que el pasador pase completamente a través de ambos lados del soporte.

Para retirar el dispositivo, lleve a cabo en orden inverso el procedimiento de instalación.

Fig. 7



6.0 Cómo calcular la distancia del margen de caída

Es esencial comprender cómo calcular la distancia del margen de caída para cada aplicación de trabajo para evitar el contacto con un nivel inferior. Utilice el siguiente cálculo para determinar el margen de caída requerido.

Cálculo del margen de caída de las cuerdas de seguridad autorretráctiles

[Cálculos tomados del nivel de trabajo]

Distancia de frenado máxima
 + (Factor de posición de trabajo que no es de pie)
 + (Factor de caída con balanceo)
 + **Factor de seguridad de 3 pies (0,9 m)**
 = **Margen de caída requerido**

PRECAUCIÓN: Lea todas las notas y consulte los diagramas de márgenes de caída de las cuerdas de seguridad autorretráctiles y las etiquetas para determinar el margen exacto de caída requerido para su aplicación.

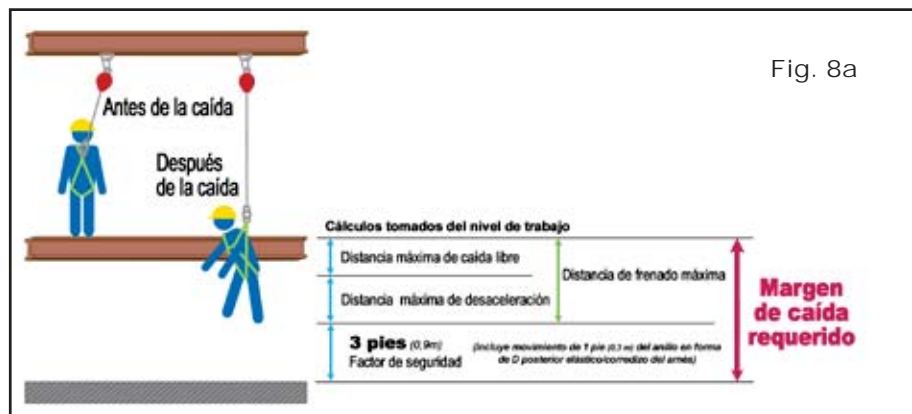


Fig. 8a

NOTAS IMPORTANTES :

(ver Fig. 8a, 8b, 8c & 8d.)

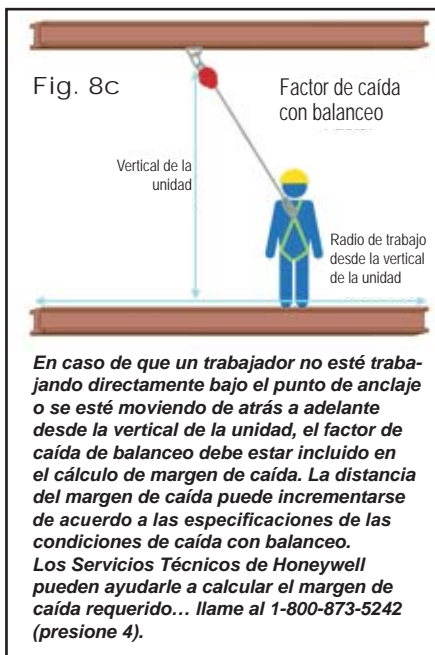
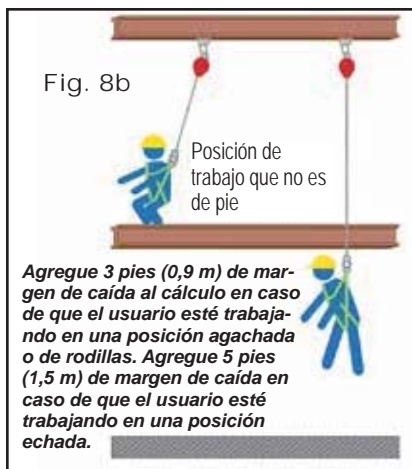
La cuerda de seguridad autorretráctil debe estar anclada en lo alto para asegurar la precisión del cálculo del margen de caída y la información relacionada.

Es importante comprender que otros factores, tales como el desempeño de un trabajo en una posición de pie, agachada o echada y/o si el usuario está trabajando directamente debajo del punto de anclaje o en un ángulo, pueden afectar la distancia de caída cuando usa un dispositivo retractable.

El cálculo del margen de caída de la cuerda de seguridad autorretráctil implica que el usuario está parado. Si el usuario está trabajando en una posición agachada o de rodillas, se requiere un margen de caída adicional de 3 pies (0,9 m). Si el usuario está trabajando en una posición acostada, se requiere un margen de caída adicional de 5 pies (1,5 m).

El cálculo de margen de caída de la cuerda de seguridad autorretráctil también implica que el usuario está trabajando directamente debajo del punto de anclaje, minimizando cualquier posibilidad de una caída con balanceo. En una situación de caída con balanceo, la distancia total de caída será mayor que cuando el usuario está directamente debajo del punto de anclaje. En algunas aplicaciones, no es posible trabajar directamente debajo del punto de anclaje. En dicho caso, el trabajador debe incrementar la distancia del margen de caída para considerar el factor de caída con balanceo. En cualquier caso, el trabajador no debe estar expuesto a una posible caída con balanceo donde pueda ocurrir un contacto con otro objeto.

La distancia de frenado máxima (caída libre + desaceleración) varía según el retractable. Siempre consulte las etiquetas de la unidad específica para determinar la distancia de frenado máxima.



Si tiene alguna pregunta sobre el cálculo de la distancia del margen de caída, por favor contacte a los Servicios Técnicos de Honeywell:

1-800-873-5242 (presione 4)

7.0 Entrenamiento

Tanto el usuario como el comprador de este equipo deben familiarizarse con estas instrucciones y deben entrenarse debidamente en manejo, limitaciones, instalación, inspección y mantenimiento de este producto. Deben llevarse a cabo entrenamientos periódicos, sin exponer a la persona en capacitación a peligros de caídas.

NOTA: Todo entrenamiento excesivo en el uso de este equipo causa el desgaste de los engranes de la unidad y, por lo tanto, una disminución en la vida de servicio esperada del mismo y un aumento en la frecuencia del servicio requerido. El mecanismo de rescate de este dispositivo es sólo para emergencias. No debe usarse para el izado normal de personal o materiales.

El departamento de entrenamiento de Miller provee el conocimiento y las técnicas necesarias para lograr un ambiente de trabajo seguro y más productivo. Si desea más información, comuníquese hoy mismo con un representante, llamando al 800.873.5242.

8.0 Inspección y Mantenimiento

8.1 Puntos de inspección y comprobación de funcionamiento

ADVERTENCIA: Cada vez antes de usar el equipo deben efectuarse las siguientes revisiones e inspecciones.

PRECAUCIÓN: Siempre póngase guantes al inspeccionar las unidades de cuerda o cable; ¡las hebras rotas pueden causar lesiones!

1. **Alojamiento y piezas del dispositivo/SopORTE de montaje:** Inspeccione la unidad para ver si tiene elementos de sujeción sueltos o piezas dobladas, agrietadas, deformes, gastadas, en mal funcionamiento o dañadas.
2. **Cuerda salvavidas:**
 - a. Teniendo el dispositivo en la posición montada, pruebe la retracción y la tensión de la cuerda salvavidas; para ello, extraiga varios pies de cable y déjelo que se retraiga. Siempre mantenga una tensión leve en el cable a medida que éste se retrae. La cuerda salvavidas debe poder extraerse y retraerse libre y completamente.

Si la cuerda salvavidas no sale libremente o se pega al retraerse, extraiga el cable del alojamiento y deje que se retraiga lentamente bajo tensión. No use la unidad si la cuerda salvavidas no se retrae debidamente.
 - b. Debe revisarse de forma periódica la cuerda salvavidas para ver si muestra señales de daños. Inspecciónela para ver si tiene cortaduras, quemaduras, corrosión, dobleces, desgarramientos, partes gastadas, hebras rotas o daños químicos.
3. **Mecanismo de freno:** El mecanismo de freno puede probarse sujetando la cuerda salvavidas ARRIBA del indicador de carga y aplicando un tirón enérgico constante hacia abajo, con lo cual se acciona el freno. No debe darse ningún resbalamiento de la cuerda salvavidas mientras el freno esté activado. Una vez liberada la tensión, el freno se desactiva y la unidad vuelve al modo de retracción.
4. **Gancho de cierre instantáneo:** Inspeccione el gancho de cierre instantáneo para detectar daños, distorsión, fisuras, corrosión o superficies picadas. La abertura (gancho pequeño) del gancho de cierre instantáneo debe apoyarse en el extremo sin atar y no debe estar torcida, distorsionada u obstruida. El resorte de la abertura debe ejercer suficiente presión para cerrar la abertura completamente. El mecanismo de seguro de la abertura debe prevenir que se abra cuando está cerrada. El gancho de cierre instantáneo giratorio debe operar suavemente.
5. **Indicador de carga:** Inspeccione el indicador de carga para ver si muestra señales de activación. El indicador de carga está situado en el eslabón giratorio del gancho de resorte. El ojo del eslabón giratorio se alarga y exhibe un área roja en el lugar mostrado cuando se sujeta a fuerzas de detención de caída.
6. **Mecanismo de rescate:** Asegúrese de que el mecanismo de rescate y componentes asociados al mismo estén funcionando correctamente según las instrucciones de utilización (ver la sección 4.0 de este manual).
7. **Etiquetas/Marcas:** Asegúrese de que todas las etiquetas y las marcas estén presentes y sean legibles.



LAS UNIDADES QUE NO PASEN LA INSPECCIÓN O HAYAN SIDO SOMETIDAS A FUERZAS DE DETENCIÓN DE CAÍDAS DEBEN RETIRARSE DEL SERVICIO.

8.2 Mantenimiento

Con un cuidado básico de todo el equipo de protección contra caídas se prolonga la vida de servicio de la unidad y se contribuye al correcto desempeño de su vital función de seguridad.

Servicio

Sólo Honeywell Safety Products o personas o entidades autorizadas por escrito por Honeywell deben realizar la reparación de las cuerdas de seguridad autorretráctiles MightEvac de Miller. Debe llevarse un registro con todas las fechas de servicio e inspecciones realizados al dispositivo. Sólo las piezas de repuesto originales de Miller se aprueban para ser usadas en este dispositivo. Los dispositivos reparables deben enviarse a nuestras instalaciones o a un centro de servicio autorizado cuando hayan sido sometidas a fuerzas de detención de caídas para su inspección física y recertificación. Aquellos dispositivos no reparables que no pasen la inspección deben desecharse de tal manera que se prevenga su posterior uso por accidente. Contacte a su distribuidor Honeywell o llame a los Servicios Técnicos de Honeywell al 1-800-873-5242 (presione 4) para recibir un número de autorización de devolución.

Las cuerdas salvavidas autorretráctiles Miller no requieren recertificación anual en la fábrica.*

*[Nota para productos con aprobación CSA: La norma CSA Z259.2.2-98 requiere que los dispositivos Tipo 2 y Tipo 3 se envíen al fabricante o a un agente de servicio aprobado no más de 2 años después de la fecha de inspección y mantenimiento del fabricante, y anualmente en lo sucesivo.]

*[Nota para los productos aprobados bajo ANSI: ANSI Z359.14 requiere una inspección de los dispositivos autorizada por la fábrica. La frecuencia se basa en el tipo de uso y las condiciones de uso. Consulte el Apéndice A: Requerimientos de inspección en ANSI Z359.14.]

Limpieza y almacenamiento

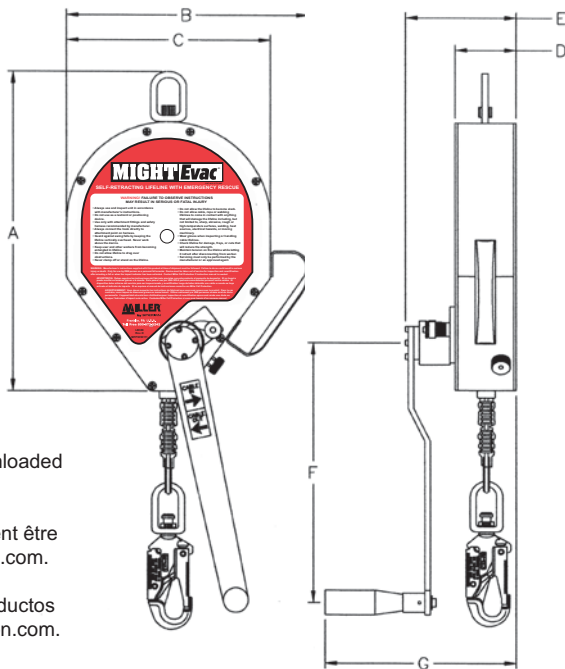
Limpie periódicamente la parte exterior del dispositivo y limpie la cuerda de seguridad con un paño húmedo y detergente suave. Séquela con una toalla. Cuando no estén en uso, almacénelas en un lugar limpio, seco, libre de exposición al calor, a la luz, a la humedad excesiva, a aceites, a químicos, a vapores u otros elementos degradantes. **La cuerda de seguridad o salvavidas debe estar completamente retraída en el dispositivo cuando no esté en uso.**

Product Specifications

Fiche Technique sur les Produits

Especificaciones de los Productos

Miller MightEvac® Self-Retracting Lifeline with Emergency Retrieval Hoist



Product specification sheets may be downloaded at www.millerfallprotection.com.

Les fiches techniques des produits peuvent être téléchargées au www.millerfallprotection.com.

Las hojas de especificaciones de los productos pueden bajarse de www.millerfallprotection.com.

Model Modèle Modelo	Lifeline Material Matériel de câble de sécurité Material de la cuerda salvavidas	Length Longueur Largo	Weight Poids Peso	A	B	C	D	E	F	G
MR40K	3/16 in. Kevlar rope 3/16 in. (5mm) de cordage Kevlar Cuerda de Kevlar de 3/16 in. (5 mm)	40 ft. (12m)	29 lbs. (13.2kg)	13.25 in. (337mm)	11.75 in. (298mm)	10 in. (254mm)	3 in. (76mm)	5.5 in. (140mm)	13 in. (330mm)	9 in. (229mm)
MR50G	3/16 in. galvanized wire rope 5mm cable galvanisé 5mm cable de acero galvanizado	50 ft. (15m)	31 lbs. (14.1kg)	13.25 in. (337mm)	11.75 in. (298mm)	10 in. (254mm)	3 in. (76mm)	5.5 in. (140mm)	13 in. (330mm)	9 in. (229mm)
MR50S	3/16 in. stainless steel wire rope 5mm câble en acier inoxydable 5mm cable de acero inoxidable	50 ft. (15m)	31 lbs. (14.1kg)	13.25 in. (337mm)	11.75 in. (298mm)	10 in. (254mm)	3 in. (76mm)	5.5 in. (140mm)	13 in. (330mm)	9 in. (229mm)
MR80K	3/16 in. Kevlar rope 3/16 in. (5mm) de cordage Kevlar Cuerda de Kevlar de 3/16 in. (5 mm)	80 ft. (24m)	46 lbs. (20.9kg)	13.25 in. (337mm)	11.75 in. (298mm)	10 in. (254mm)	5 in. (127mm)	7.5 in. (191mm)	13 in. (330mm)	11 in. (279mm)
MR100G	3/16 in. galvanized wire rope 5mm cable galvanisé 5mm cable de acero galvanizado	100 ft. (30m)	51 lbs. (23.1kg)	13.25 in. (337mm)	11.75 in. (298mm)	10 in. (254mm)	5 in. (127mm)	7.5 in. (191mm)	13 in. (330mm)	11 in. (279mm)
MR100S	3/16 in. stainless steel wire rope 5mm câble en acier inoxydable 5mm cable de acero inoxidable	100 ft. (30m)	51 lbs. (23.1kg)	13.25 in. (337mm)	11.75 in. (298mm)	10 in. (254mm)	5 in. (127mm)	7.5 in. (191mm)	13 in. (330mm)	11 in. (279mm)
MR130G	3/16 in. galvanized wire rope 5mm cable galvanisé 5mm cable de acero galvanizado	130 ft. (40m)	56 lbs. (25.4kg)	13.25 in. (337mm)	11.75 in. (298mm)	10 in. (254mm)	5 in. (127mm)	7.5 in. (191mm)	13 in. (330mm)	11 in. (279mm)
MR130S	3/16 in. stainless steel wire rope 5mm câble en acier inoxydable 5mm cable de acero inoxidable	130 ft. (40m)	56 lbs. (25.4kg)	13.25 in. (337mm)	11.75 in. (298mm)	10 in. (254mm)	5 in. (127mm)	7.5 in. (191mm)	13 in. (330mm)	11 in. (279mm)

*All variations of the above listed base model numbers include this instruction manual.

*Toutes les variations des numéros de modèle de base ci-dessus énumérés comprennent le présent manuel d'instructions.

*Todas las variaciones de los números de los modelos base indicados arriba incluyen este manual de instrucciones.

NOTE: ANSI Z359.14 compliant MightEvac models offer a snap hook with a gate load strength of 3,600 lbs. (16kN) applied in any direction. The ANSI compliant option is shown on the front cover and also on page 43. Specifications may vary slightly from original base models listed above.

NOTA: Les modèles MightEvac conformes à l'ANSI Z359.14 sont munis d'une boucle à pression avec une charge de doigt de 3 600 lb (16kN) appliquée dans une direction quelconque. Le modèle conforme à l'ANSI est illustré sur le couvercle avant ainsi qu'à la page 43. Les spécifications peuvent différer légèrement des modèles de base originaux énumérés ci-dessus.

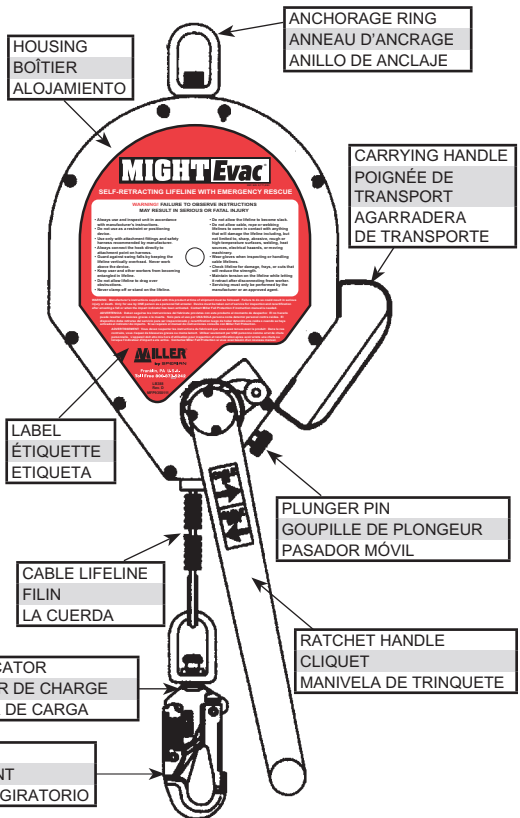
NOTA: Los modelos MightEvac según la norma ANSI Z359.14 tienen un linguete con una resistencia a la carga de 3,600 lb (16kN) en todas direcciones. La opción que cumple con las normas ANSI se muestra en la tapa delantera y también en la página 43. Las especificaciones pueden variar levemente de los modelos base originales señalados arriba.

Performance Specifications Spécifications de performance Especificaciones de desempeño	
Max Capacity Capacité Max Capacidad Máx	310 lbs (140,6kg)
Max Total Arrest Distance Distance Totale D'Arret Max Distancia De Detención Total Máx	54 in (1,4m)
Max Free Fall Distance Distance De Chute Libre Máx Force D'Arret De Chute Max	24 in (0,6m)
Avg/Max Fall Arrest Force* Force D'Arret De Chute Moyenne/Max Fuerza De Detención Promedio/Máx	900 lbf (4kN)/ 1800 lbf (8kN)
Max Fall Arrest Force** Force D'Arret De Chute Max Fuerza De Detención Máx	900 lbf (4kN)
Force Required to Operate Rescue Features when Device is Loaded to Capacity La force requise pour activer les dispositifs de sauvetage lorsque le dispositif est chargé à capacité La fuerza requerida para utilizar las características de rescate del dispositivo	22 lbf (98N)

*when tested to ANSI Z359.14

**when tested to CSA Z259.2.2 & ANSI Z359.1

Refer to variable label for unit compliances.



MightEvac model shown with ANSI-compliant snap hook (with a gate load strength of 3,600 lbs. (16kN) applied in any direction) and mounting bracket.

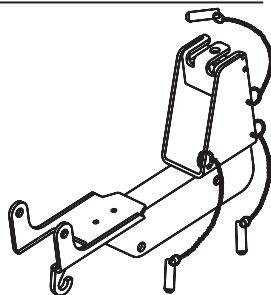
Le modèle MightEvac illustré avec boucle à pression conforme à l'ANSI (avec une charge de doigt de 3 600 lb (16kN) appliquée dans une direction quelconque) et support de montage.

Modelo MightEvac mostrado con gancho de resorte según la norma ANSI (linguete con resistencia a carga de 16 kN [3,600 lb] en todas direcciones) y soporte de montaje.



Mounting Bracket Support de Montage Soporte de Montaje

Models/Modèles/Modelos 9054EV & 9066EV



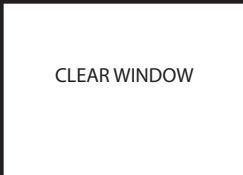
Product Labels
Étiquettes sur les Produits
Etiquetas de los Productos

MILLER

MIGHT Evac[®]

PAT. NO. 5,771,993

SELF-RETRACTING LIFELINE WITH EMERGENCY RESCUE



CLEAR WINDOW



DIECUT
HOLE
.813
DIA.



Contact manufacturer
if instruction manual
is needed.

DO NOT REMOVE THIS LABEL

SPECIFICATIONS

Max Total Arrest Distance (Distance Totale D'Arrêt Max)	54 in (1,4m)
Max Free Fall Limit (Distance De Chute Libre Max)	24 in (0,6m)
Max Capacity* (Capacité Max)	310 lbs (140,6kg)

[130 lbs-310 lbs - ANSI Capacity Range]

*For a Max Capacity of 400 lbs (181,4kg), see
instructions and applicable Fall Protection Code.

Avg/Max Fall Arrest Force**	900 lbf/1800 lbf [when tested to ANSI Z359.14**]
-----------------------------	---

Max Fall Arrest Force**	900 lbf (4kN)
-------------------------	------------------

[when tested to CSA Z259.2.2 & ANSI Z359.1*]
**Refer to variable label at left for unit compliances.

75 lbs (34kg) minimum is required for lowering.
Force required to operate rescue features when
device is loaded to capacity is 22 lbf (98N).

WARNING

– FOR EMERGENCY USE ONLY –

The MightEvac retrieval mechanism is to be used only in the event of an emergency.
Do not use for routine hoisting of personnel or materials.

MILLER[®]

by Honeywell

Toll Free
800-873-5242

Franklin, PA U.S.A.

LB387 Rev. I
34-9350110

MILLER

MIGHT Evac[®]

PAT. NO. 5,977,139

SELF-RETRACTING LIFELINE WITH EMERGENCY RESCUE

⚠ WARNING

Manufacturer's instructions supplied with this product at the time of shipment must be followed:
FAILURE TO DO SO MAY RESULT IN SERIOUS INJURY OR DEATH!

- Only for use by ONE person as a personal fall arrester.
- Inspect before each use according to manufacturer's instructions.
- Do not allow lifeline to come in contact with anything that will damage it including, but not limited to, sharp, abrasive, rough or high-temperature surfaces, welding, heat sources, electrical hazards, or moving machinery.
- Always test the locking and retraction of this device before each use.
- Allow adequate fall clearance below work surface.
- Device must be taken out of service for inspection and recertification after arresting a fall or when the impact indicator has been activated.

⚠ ADVERTENCIA

Deben seguirse las instrucciones del fabricante provistas con este producto al momento de despacho: **EL NO HACERLO PUEDE RESULTAR EN LESIONES GRAVES O LA MUERTE!** Solo para el uso por UNA SOLA persona como detentor personal contra caídas. El dispositivo debe retirarse del servicio para ser inspeccionado y recertificación luego de haber detenido una caída o cuando se haya activado el indicador de impacto.

⚠ ADVERTISSEMENT

Vous devez respecter les instructions du fabricant que vous avez reçues avec le produit: **DANS LE CAS CONTRAIRE VOUS RISQUEZ DE BLESSURES GRAVES OU MEME LAMORT!** Utiliser seulement par UNE personne comme arrêt de chute personnelle. L'appareil doit être mis hors d'utilisation pour inspection et recertification après avoir arrêté une chute ou lorsque l'indicateur d'impact a été activé.

SAFETY INSTRUCTIONS

BEFORE USING: • Check lifeline retraction— Pull out a min. 4 ft. (1.2m) of lifeline and allow it to retract under light tension. • Check braking action— Grasp lifeline ABOVE load indicator and apply a sharp pull. The brake must engage. Release tension and allow lifeline to retract slowly into the unit. Lifeline must retract completely. • Inspect swivel snap hook load indicator. If red is exposed, remove from service.

INSTALLATION: • See instructions for mounting procedure. • Anchorage and mounting hardware must be capable of supporting a 5,000 lb. (22kN) static load or meet OSHA requirements for a safety factor of two. • Anchor device vertically overhead whenever possible; for suitability in other installation applications (i.e., lift, horizontal use/lifeline), refer to instructions.

RETRACTABLE LIFELINE OPERATION: • Pull out on the plunger pin and hold. • Push inward on the ratchet handle, where it connects to the gear shaft, to disengage the gears; let pin drop into the locked position.

RECOVERY SYSTEM OPERATION: • Pull out on the plunger pin until the ratchet handle pops outward. • Release pin and allow to drop back into locked position. Note: It may be necessary to rotate the handle slightly to fully engage gears. • While maintaining tension on the lifeline, rotate handle counter-clockwise to crank the lifeline into the housing (raise) or clockwise to extend lifeline from the housing (lower). Note: If a fall has been arrested by the unit and lowering is required, it is necessary to first crank in the upward direction (CCW) for one-half to one rotation, then reverse the direction (CW) to begin lowering.

REMOVE FROM SERVICE IF RED APPEARS



MILLER[®]

by Honeywell

LB388 Rev. G
34-9350111

Inspection and Maintenance Log

Registre D'inspection et D'entretien

Registro de Inspección y Mantenimiento

DATE OF MANUFACTURE: _____
 DATE DE FABRICATION / FECHA DE FABRICACIÓN

MODEL NUMBER: _____
 NUMÉRO DE MODÈLE / NÚM. DE MODELO

DATE PURCHASED: _____
 DATE D'ACHAT / FECHA DE COMPRA

INSPECTION DATE DATE D'INSPECTION FECHA DE INSPECCIÓN	INSPECTION ITEMS NOTED POINTS NOTÉS LORS DE L'INSPECTION PUNTOS DE INSPECCIÓN RELEVANTES	CORRECTIVE ACTION ACTION CORRECTIVE MEDIDA CORRECTIVA	MAINTENANCE PERFORMED ENTRETIEN EFFECTUÉ MANTENIMIENTO REALIZADO
Approved by: Approuvé par: Aprobado por:			
Approved by: Approuvé par: Aprobado por:			
Approved by: Approuvé par: Aprobado por:			
Approved by: Approuvé par: Aprobado por:			
Approved by: Approuvé par: Aprobado por:			
Approved by: Approuvé par: Aprobado por:			
Approved by: Approuvé par: Aprobado por:			
Approved by: Approuvé par: Aprobado por:			



MILLER® FALL PROTECTION PRODUCTS
TOTAL SATISFACTION ASSURANCE

At Honeywell Safety Products and its predecessors, we have been providing quality Miller brand fall protection equipment to millions of workers worldwide since 1945.

LIMITED LIFETIME WARRANTY
BACKED BY OVER 65 YEARS IN THE FALL PROTECTION BUSINESS

We sincerely believe that our fall protection equipment is the best in the world. Our products endure rigorous tests to ensure that the fall protection equipment you trust is manufactured to the highest standards. Miller fall protection products are tested to withstand normal wear and tear, but are not indestructible and can be damaged by misuse. Our Limited Lifetime Warranty does not apply to normal wear and tear or abusive treatment of the product.

In the unlikely event that you should discover defects in either workmanship or materials, under our Limited Lifetime Warranty, we will repair or replace the product at our expense. If a replacement is necessary and your product is no longer available, a comparable product will be substituted. Should a product issue surface, contact us at 800.873.5242.

Manufacturing specifications are subject to change without notice.

PRODUITS MILLER® FALL PROTECTION
ASSURANCE DE SATISFACTION TOTALE

Honeywell Safety Products et ses prédécesseurs offrent les équipements antichute de marque Miller de qualité à des millions de travailleurs dans le monde entier depuis 1945.

GARANTIE LIMITÉE À VIE
ASSURÉE GRÂCE À PLUS DE 65 ANS PASSÉS DANS LE DOMAINE DE LA PROTECTION CONTRE LES CHUTES

Nous croyons sincèrement que notre équipement de protection contre les chutes est le meilleur au monde. Nos produits sont soumis à des tests rigoureux, afin d'assurer que les équipements de protection contre les chutes dans lesquels vous avez confiance sont fabriqués selon les normes les plus exigeantes. Les produits de protection contre les chutes Miller sont soumis à des essais pour vérifier qu'ils résistent à une usure normale; ils ne sont cependant pas indestructibles et peuvent s'endommager en cas de mauvaise utilisation. Notre garantie limitée à vie ne s'applique pas à l'usure normale ou à un usage abusif du produit.

Dans le cas peu probable où vous découvririez des défauts, soit de fabrication, soit de matériau, dans le cadre de notre garantie à vie, nous réparerons ou remplacerons le produit à nos frais. En cas de remplacement, si votre produit n'est plus offert, vous recevrez un produit comparable. En cas de problème sur un produit, nous contacter au 800-873-5242.

Les caractéristiques de fabrication peuvent être modifiées sans préavis.

PRODUCTOS ANTICAÍDAS MILLER®
GARANTÍA DE SATISFACCIÓN TOTAL

En Honeywell Safety Products y sus predecesores, hemos estado brindando la calidad de la marca Miller en equipos de protección de caída a millones de trabajadores alrededor del mundo desde 1945.

GARANTÍA LIMITADA DE POR VIDA
NOS RESPALDAN MÁS DE 65 AÑOS EN LA FABRICACIÓN DE EQUIPO ANTICAÍDAS

Sinceramente creemos que su equipo de protección contra caídas es el mejor del mundo. Nuestros productos resisten rigurosas pruebas para garantizar que el equipo de protección contra caídas en el que usted confía está fabricado de conformidad con las normas más elevadas. Los productos anticaídas Miller son sometidos a pruebas para que resistan el desgaste normal, pero no son indestructibles y su incorrecta utilización puede dañarlos.

Nuestra Garantía limitada de por vida no se aplica al desgaste normal ni al maltrato del producto.

En el poco probable caso de que usted descubriera defectos de mano de obra o materiales, por nuestra Garantía limitada de por vida, repararemos o sustituiremos el producto por cuenta nuestra. Si un reemplazo es necesario y nuestro producto ya no está disponible, se lo sustituiremos por otro comparable.

En caso de que surja un problema con el producto, contáctenos al 800.873.5242.

Las especificaciones de fabricación están sujetas a modificaciones sin previo aviso.

MILLER®

by Honeywell

Toll Free: 800.873.5242

Fax: 800.892.4078

Download this manual at: www.millerfallprotection.com
Téléchargez ce manuel à l'adresse: www.millerfallprotection.com
Puede bajar por Internet este manual en: www.millerfallprotection.com

Honeywell Safety Products

P.O. Box 271, 1345 15th Street
Franklin, PA 16323 USA