

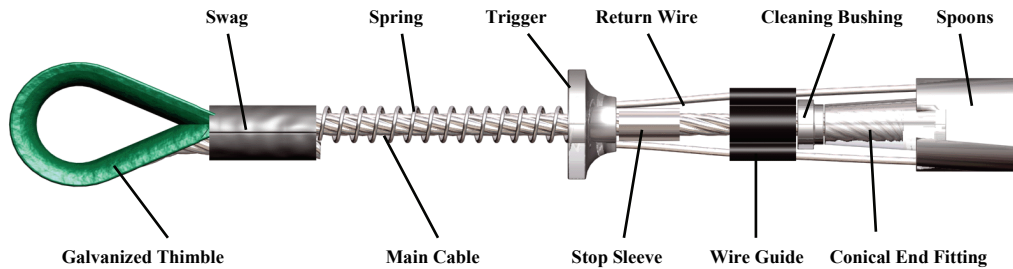


Operations and Instruction Manual

Miller Grip Anchorage - Model #497
 Portable Concrete Anchorage Connector
 ANSI Z359.1 10,000 lbs / 44kn
 Manufactured Aug, 2007. Batch #033

Made in the USA

1" Miller Grip Anchorage



IMPORTANT!!

Users should be familiar with pertinent regulations governing this equipment. All individuals who use this product must be correctly instructed on how to use this device.

WARNING!!

All persons using this equipment must read and understand all instructions. Failure to do so may result in serious injury or death. If a fall occurs, the Miller Grip must be disposed of according to the manufacturer's instruction.

Miller's 1" Fall Protection Miller Grips are to be used in concrete substrate only. **DO NOT** use in steel, wood or any other substrate.
 Miller Grips can be placed in:

- * Horizontal surfaces
- * Vertical surfaces
- * Overhead / ceiling surfaces
- * Horizontal Life Lines
- * Vertical life Line

1. Follow all manufacturer's instructions.
2. Use only locking snap hooks or locking carabiners.
3. Always inspect your units prior to use.
4. Use the proper method of coupling to anchorage.
5. Always dispose of this unit after a fall has occurred.
6. Patch all holes with concrete when job is complete.
7. Pregnant women and minors must not use this product.
8. Designed safe working load is 2,000 lbs (8.8 KN). Do not exceed this weight when you pretension your Life Line System.

This product is to be used by qualified fall protection personnel only. It is to be anchored in accordance with manufacturer's requirements in concrete substrate only. Do not anchor in uncured/wet concrete.

The model Miller Grip #497 is color coded with a green thimble, and is used for **FALL PROTECTION ONLY**. This unit is not to be used in any other anchoring situation. Concrete must have a compressive strength of at least 3,000 PSI (20.7MPa)

1" Miller Grip

Tested - ANSI Z359.1
 Strength - 10,000 lbs / 44 KN
 Model - Miller Grip #497
 Color Coded Green Thimble

IMPORTANT!!!

**Do not drill a hole closer than 10” from any corner.
The concrete substrate must be at least 20” wide and 10” thick.**

Inspection:

1. Make sure unit is straight and operates smoothly.
2. Make sure the label is affixed to unit.
3. Make sure trigger stop is not bent or damaged.
4. Make sure cables are not kinked, frayed or damaged.
5. Make sure metal components are not damaged.
6. Make sure metal spoons and conical end fitting operate smoothly and no metal burrs have occurred.
7. When reusing a previously drilled hole, always inspect the hole carefully.

Storage and Cleaning:

1. Blow off unit after each use with compressed air.
2. Store in clean dry environment.
3. Store in secure locked area.
4. Store and put away at the end of each day’s work.
5. Do not pile any objects on top of unit during storage.
6. Keep unit free of grease, oils and dirt.
7. Never lend your unit to other workers.

Disposal:

1. Dispose of unit after any fall has occurred.
2. Dispose of unit if cable becomes kinked or bent.
3. Dispose of unit if trigger stop is bent or damaged.
4. Dispose of unit if trigger action is rough or sticky.
5. Dispose of unit if return wire becomes bent or frayed.
6. Proper disposal requires the unit’s spoons be cut off the return wires and thrown away.

Warning!!

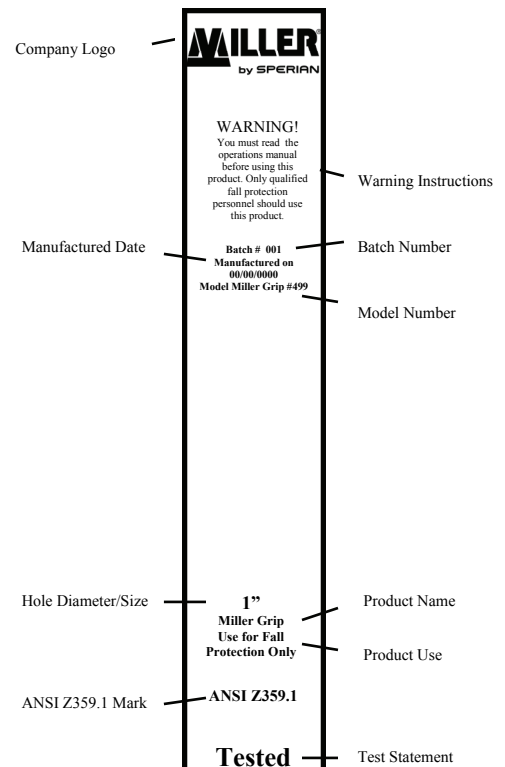
Do not use incompatible connectors with any Miller Grip Anchorage. Refer to separate instructions supplied with your anchorage connectors.

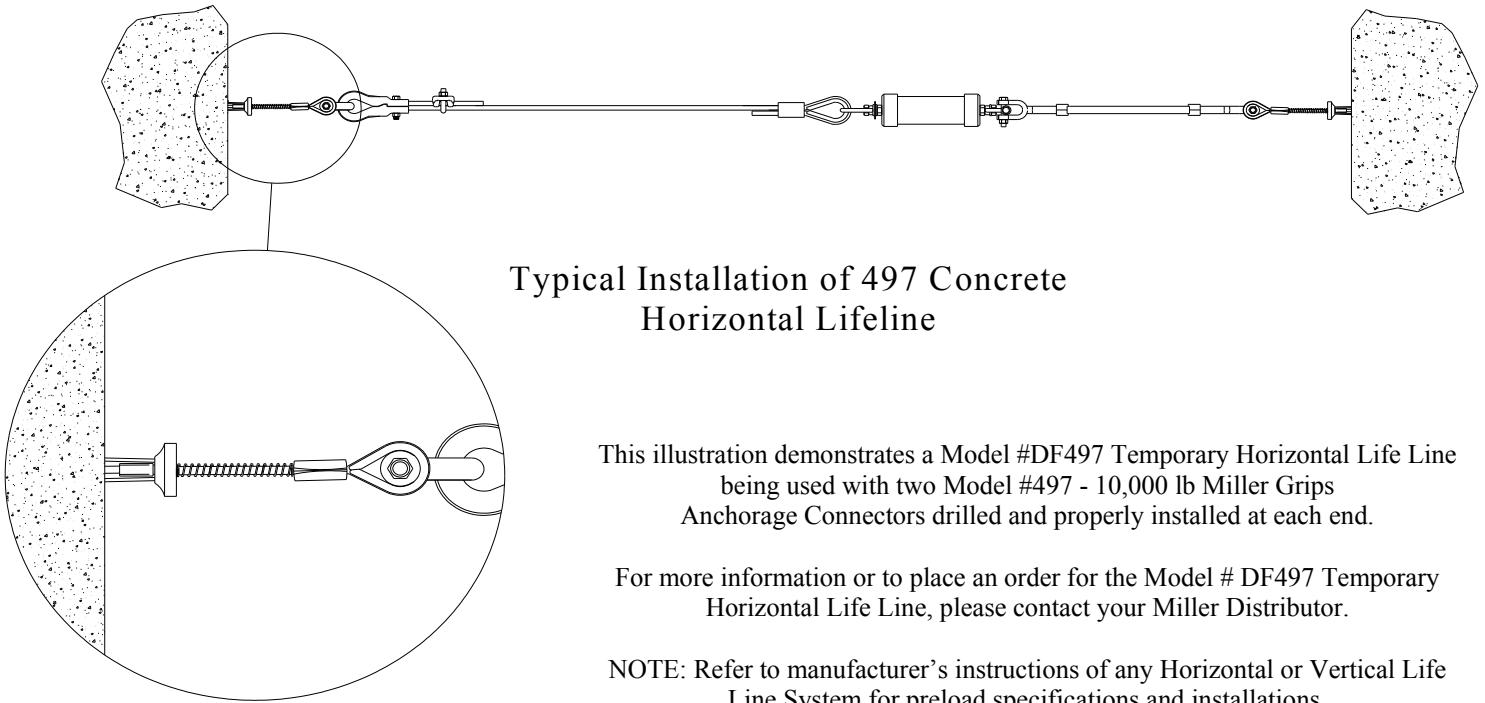
**It is important that you drill your Miller Grip hole to the manufacturer’s required depth and hole structure. All holes must be 1” in diameter and drilled at least 4-1/2” into the substrate and the bored hole walls must be straight and parallel. NOTE: The bored hole must be of uniform diameter and free of peaks and valleys on the inner wall surfaces. Only use quality industrial grade rotary hammers and rotary hammer drill bits.
NEVER USE A BENT DRILL BIT!!**

**Only use industrial grade rotary hammer drills and drill bits.
DO NOT USE masonry drill bits**

Main Cable	7x 19 Galvanized Cable	Return Wire	1x19 Galvanized Cable
Rotary Swage	304 Stainless Steel	Trigger	6061 T6 Aluminum
Spoons	304 Stainless Steel	Spring	Zinc Coated Spring Steel
Cleaning Bushing	304 Stainless Steel	Swage	Zinc Coated Copper
Stop Sleeve	304 Stainless Steel	Thimble	Color Coded Green

- Drill a 1” diameter hole at least 4-1/2” deep.
- Use recommended drill type and size.
- Blow hole clean with compressed air.
- Drill hole straight into substrate.
- When reusing a previously drilled hole always inspect the hole carefully.
- Insert unit 4-1/2 inches deep into hole.
- Set the unit with a slight tug on the anchor loop.
- The stop sleeve must always be partially inserted into the hole.
- Always inspect a previously drilled hole for deformation. Drill another proper hole if needed.
- Inspect the unit for damage each time you use it. If damage has occurred, dispose of unit.
- Always dispose of unit after a fall has occurred.
- Never lend your unit to other workers.
- Never rely on a unit placed by unqualified workers.
- Remove your unit at the end of each day.
- Never leave a unit inserted in a hole overnight.
- Never drill hole closer than 10” to any edge or corner.





Typical Installation of 497 Concrete Horizontal Lifeline

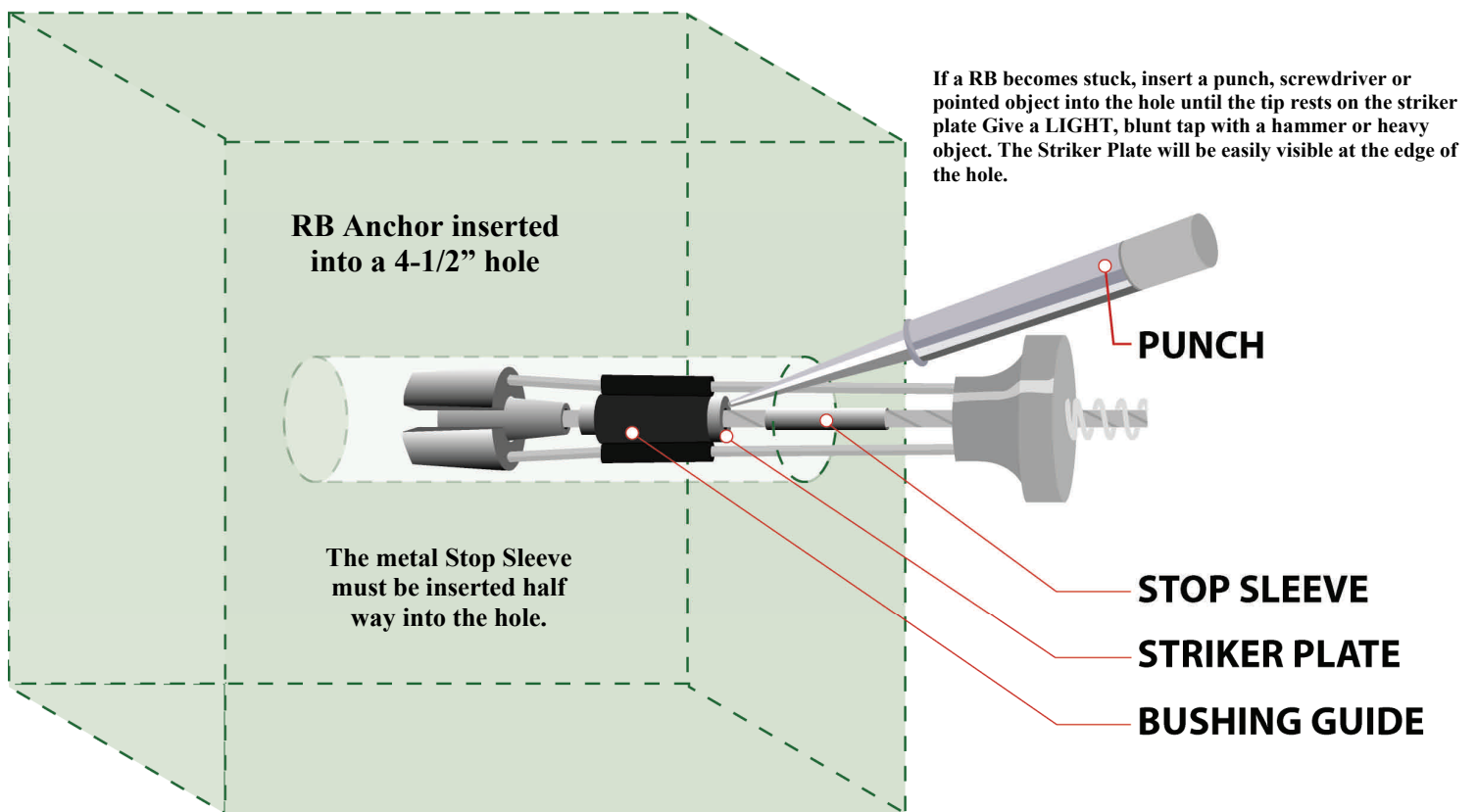
This illustration demonstrates a Model #DF497 Temporary Horizontal Life Line being used with two Model #497 - 10,000 lb Miller Grips Anchorage Connectors drilled and properly installed at each end.

For more information or to place an order for the Model # DF497 Temporary Horizontal Life Line, please contact your Miller Distributor.

NOTE: Refer to manufacturer's instructions of any Horizontal or Vertical Life Line System for preload specifications and installations.

When placing a Miller Grip, Place your thumb inside the anchor loop and your first two fingers around the trigger. Retract the trigger until the spring bottoms out. With your other hand, pinch the two spoons between your thumb and index finger. **IMPORTANT; Make sure the cleaning bushing is not wedged between the two spoons. Hold the trigger fully retracted while inserting the unit into bottom of the hole. DO NOT force the unit into the hole. Insert the unit slowly and gently.**

Drill a straight 1" diameter hole 4 -1/2" deep into your substrate.



If a RB becomes stuck, insert a punch, screwdriver or pointed object into the hole until the tip rests on the striker plate Give a LIGHT, blunt tap with a hammer or heavy object. The Striker Plate will be easily visible at the edge of the hole.