

Miller DuraHoist Portable I-Beam Clamping Base

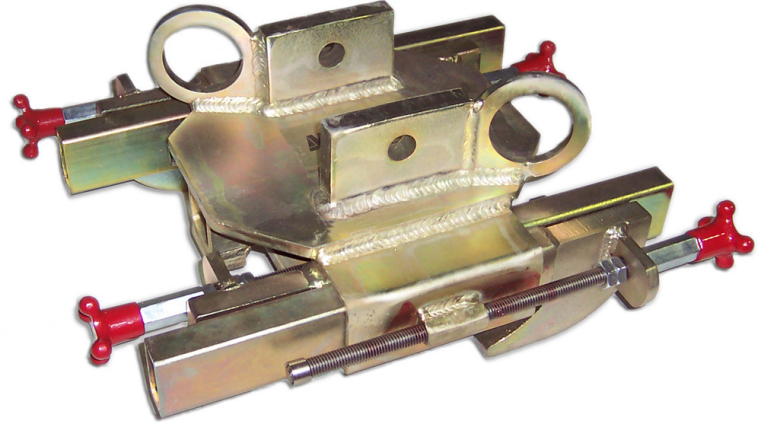
Model: DH-AP-9/

Description

I-Beam Clamping Base is designed to mount temporarily to structural I-Beams to support Miller Safety Systems Portable Fall-Arrest structures.

Materials

General Construction:	Welded Steel
Weld Certification:	AWS
Material:	HR Mild Steel
Hardware:	Zinc plated steel
Screws:	304 Stainless Steel
Thrust Bearing Material:	High Density Polyethylene
Plating Specification:	Type II, Type III Zinc, SC-2 ASTM B633-85 CS-500 leachant/sealant process
Finish:	Cs-500 Zinc plated



Technical

Rated Capacity: When installed according to the mounting requirement section of this specification, the I-Beam Clamping Base meets or exceeds the rated capacity of all Portable Fall-Arrest System accessories.

Proof Load 190,000 in-lbs. (21.5 kN-m)

Weight 56 lbs. (25.4 kg)

Mounting Requirements

DH-AP-9/ Advanced Series Portable Fall-Arrest Anchor Post:

Moment Requirement: 190,000 in-lbs. (21.5 kN-m)

Vertical Load Requirement: 3100 lbs. (13.8 kN)

Application Restrictions

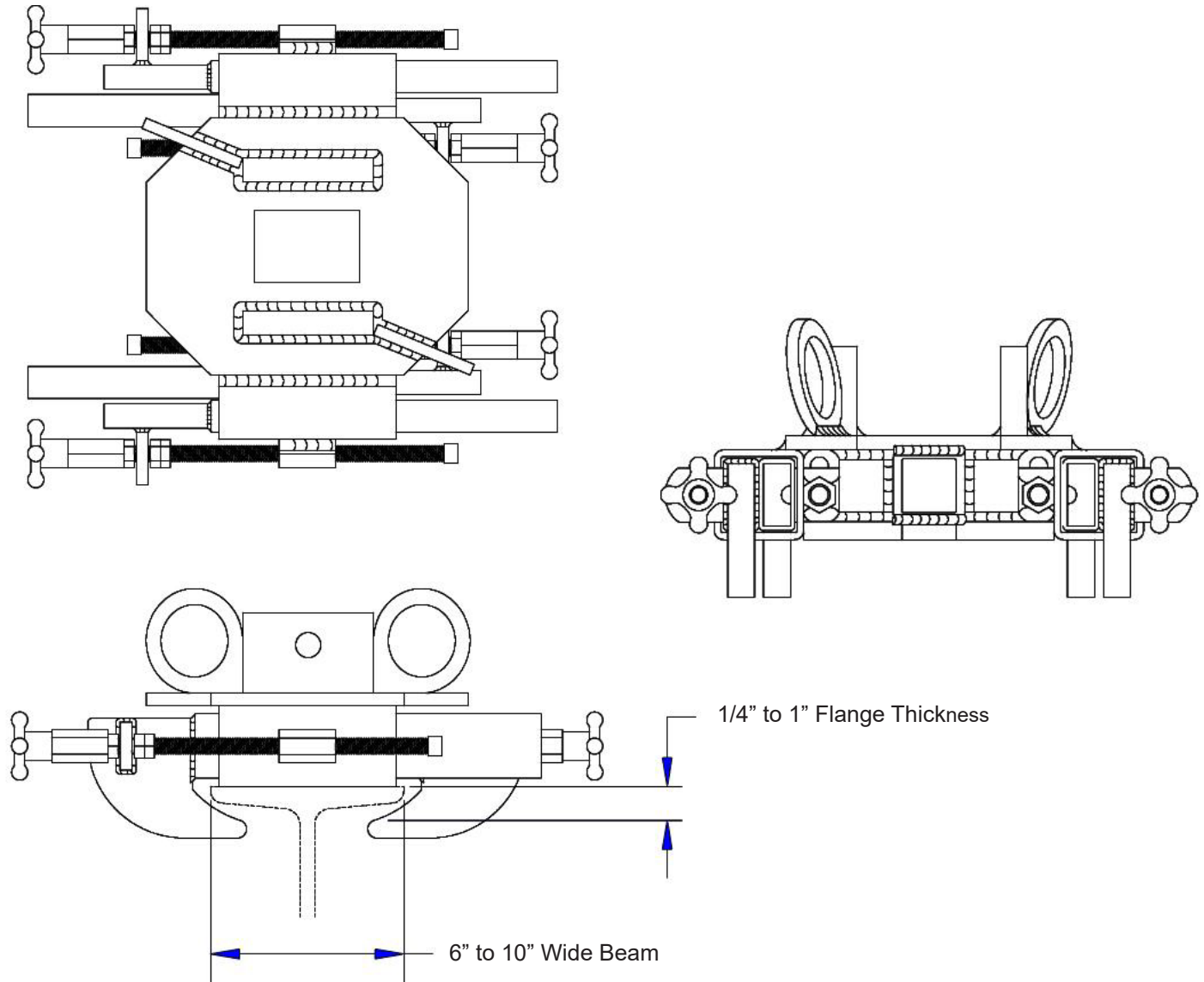
1. This product is designed for use with accessories manufactured or approved by Miller.
2. The Beam Clamping Base is for use on I-Beams with a flange width of between 6.0" – 10" only.
3. All accessories must be compatible with all other system components requirements and must be installed, used and maintained according to the manufacturer's instruction.
4. Each installation must be approved to local standards by a qualified engineer.

TECHNICAL DATA

SP380 Rev C/07-16

Miller DuraHoist Portable I-Beam Clamping Base

Model: DH-AP-9/



Limitless Possibilities. Ask the Expert.

Technical Service: 800.873.5242

www.millerfallprotection.com

Honeywell Industrial Safety

900 Douglas Pike
Smithfield, RI 02917

USA

Phone: 800.430.5490

Fax: 800.322.1330

Canada

Phone: 888.212.7233

Fax: 888.667.8477

⚠ This equipment should only be used after reading and understanding the manufacturer's instructions. Failure to follow instructions could result in serious injury or fatality.