

HONEYWELL PR500 SERIES MASK-MOUNTED PAPR

Technical Data Sheet

The compact, lightweight engineered design of the PR500 Mask-Mounted PAPR provides a constant flow of cool air and respiratory protection to workers in the harshest environments.

PRODUCT DESCRIPTION

The Honeywell PR500 Series Mask-Mounted Powered Air-Purifying Respirator (PAPR) uses a blower unit to force ambient air through a single High Efficiency Particulate Air-Purifying (HEPA) filter to remove contaminants and provide clean air to the user.

Using the nozzle adapter that is included with the Honeywell PR500 Series, the PAPR blower assembly mounts directly to the center port of the RU6500.

PROTECTION TYPE

This respirator is ideally suited for applications where non-powered air-purifying respirators are not practical or a higher protection factor is required, yet where the atmospheres are not immediately dangerous to life or health (IDLH).

The PR500 Series Mask-Mounted PAPR is recommended for respiratory protection against dusts, fumes and mists, particulate radionuclides, radon progeny attached to dusts, fumes and mists.

CERTIFICATIONS

When components listed on the NIOSH Approval Label are used, these respirators are approved as part of a Powered Air-Purifying Respirator.

ASSIGNED PROTECTION FACTORS

The PR500 Series PAPR is for protection from particulates where (i) the concentration does not exceed the Permissible Exposure Limit (PEL) as determined by the Assigned Protection Factor (APF) of the facepiece used with the PAPR, (ii) the concentration is below the contaminant's Immediately Dangerous to Life or Health (IDLH) level, and (iii) there is sufficient oxygen in the work environment according to the OSHA Regulation 29 CFR Section 1910.134 or CSA Standard Z94.4 requirements.

The APF for the PR500 Mask-Mounted PAPR is 1,000.



PR500 Series Mask-Mounted PAPR

Honeywell

MAJOR COMPONENTS

BLOWER AND BATTERY ASSEMBLY

The Honeywell PR500 Series Mask-Mounted PAPR consists of a filter/blower assembly mounted on the North RU6500 full facepiece. The blower delivers air to the facepiece at a flow rate greater than 115 liters per minute (4 cubic feet per minute). The blower is powered by a belt-mounted rechargeable nickel cadmium (NiCad) battery pack equipped with an ON/OFF switch. The assembly also includes a charger for the battery and an air flow indicator.

TIGHT FITTING FACEPIECE

The Honeywell PR500 Series Mask-Mounted PAPR uses the North RU6500 Series full facepiece with a five-point headstrap. The facepiece is available in three sizes (small, medium and large) and may be equipped with an optional spectacle kit and clear or tinted lens covers.

FILTER

The Honeywell PR500 Series Mask-Mounted PAPR is equipped with a HEPA filter (Part Number 108000-H5), which is 99.97% efficient for protection from all particulates including those with oil based aerosols and is equivalent to a P100 filter. The filter is mounted directly onto the blower.

ORDERING INFORMATION

Complete assembly includes a silicone full facepiece with polycarbonate lens, a blower, a nickel-cadmium battery pack, a power cord, a HEPA filter, a belt and a flow indicator.

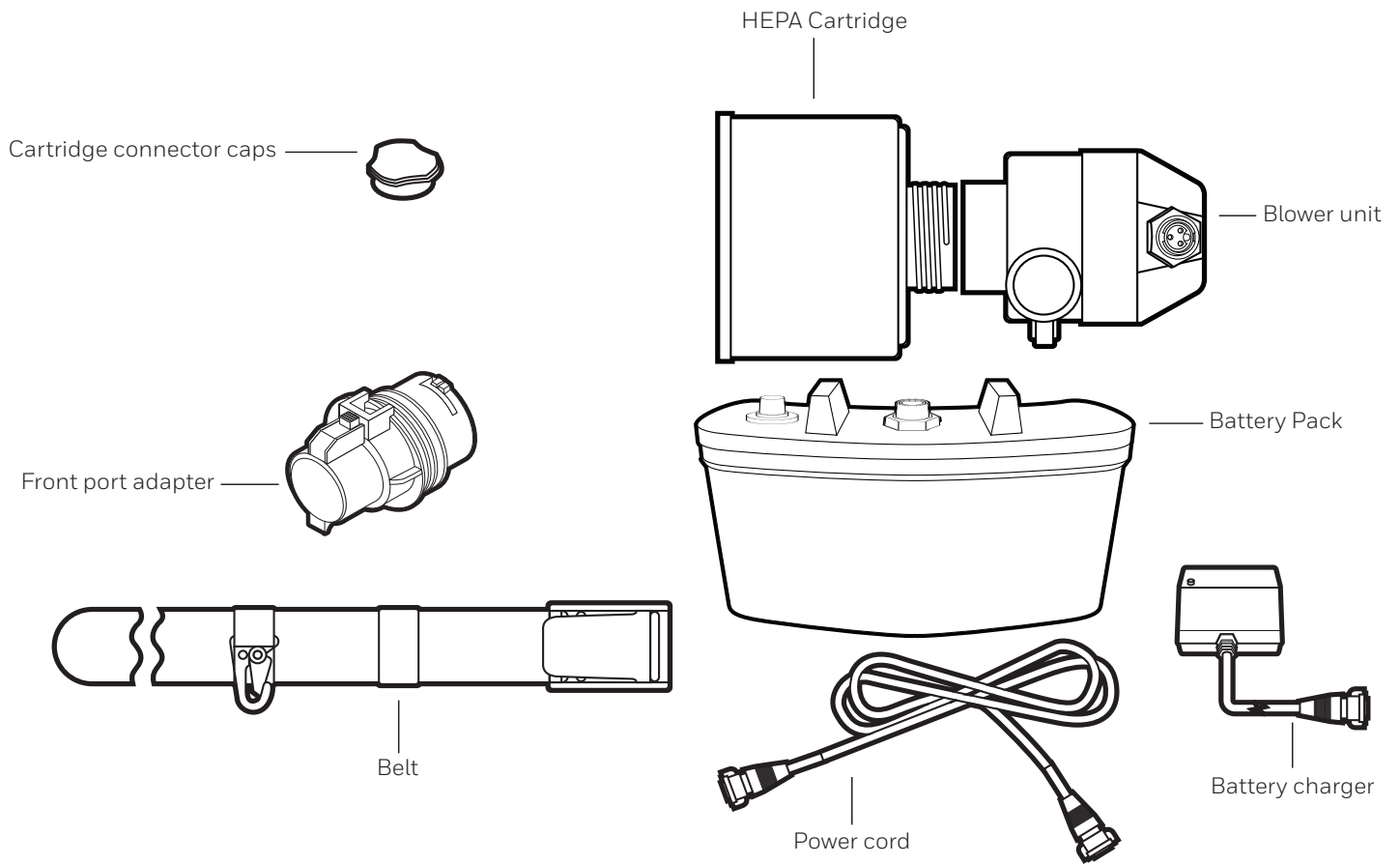
Part Number	Description
PR501S	PR500 Series Mask-Mounted PAPR, 5-Point Headstrap, w/battery and blower, Small
PR501M	PR500 Series Mask-Mounted PAPR, 5-Point Headstrap, w/battery and blower, Medium
PR501L	PR500 Series Mask-Mounted PAPR, 5-Point Headstrap, w/battery and blower, Large

ACCESSORIES

Part Number	Description
108000-H5	High Efficiency Particulate Air-Purifying (HEPA) filter (1 box of 4)
108044	High Efficiency Particulate Air-Purifying (HEPA) filter (1 case of 84)
981177	PAPR Filter Shower Cap, w/Holes

REPLACEMENT PARTS AND COMPOSITION

Product Number	Product Description	Material Composition
520020	Blower Unit, PR500 Series	Noryl 731 (plastic) case
520060	Battery Pack, PR500 Series	Plastic case; NiCAD Battery
520050	Belt	Nylon webbing; nylon buckle
520030	Power Cord, PR500 Series	Rubber; plastic
520073	Battery Charger, PR500 Series, Single Unit	Plastic; copper
50123586-001	Front port adapter, CF-SAR/PAPR, replacement	Noryl 731 (plastic)
805007	Cartridge connector caps, pair	Noryl GTX902 (plastic)
580012	Air flow meter assembly	Polycarbonate; nylon ball; stainless pins



SHIPPING WEIGHTS & DIMENSIONS

Part Number	Qty/Case	Length Inches (cm)	Width Inches (cm)	Height Inches (cm)	Weight lb (kg)
Assemblies					
PR501S	1 EA	13.0 (33)	9.0 (23)	5.5 (14)	4.4 (2)
PR501M	1 EA	13.0 (33)	9.0 (23)	5.5 (14)	4.4 (2)
PR501L	1 EA	13.0 (33)	9.0 (23)	5.5 (14)	4.4 (2)
Replacement Parts					
520020	1 EA	4.0 (10)	3.0 (8)	3.0 (8)	0.4 (0.2)
520060	1 EA	8.0 (20)	5.0 (13)	3.0 (8)	2.0 (0.9)
520050	1 EA	4.0 (10)	3.0 (8)	3.0 (8)	-
520030	1 EA	No shipping carton specific for this product			
520073	1 EA	8.0 (20)	5.0 (13)	3.0 (8)	-
50123586-001	1 EA	6.0 (15)	4.0 (10)	2.0 (5)	-
805007	1 EA (pair)	-	-	-	-
580012	1 EA	-	-	-	-

COUNTRY OF ORIGIN

USA

LIMITED WARRANTY

Honeywell PPE warrants the PR500 Series to the original owner to be free from defects in materials and workmanship for a period of one (1) year from the date of original shipment from Honeywell's factory. Honeywell's obligation under this limited warranty will be, at Honeywell's option, to repair or replace without charge the PR500 Series or any of its components found by Honeywell to have been defective during the limited warranty period, under the following terms:

1. The warranty claim is made (i) by the owner who purchased the PR500 Series new from Honeywell or an authorized Honeywell Distributor, and (ii) not more than three (3) months after the end of the limited warranty period.
2. The PR500 Series or component is found by Honeywell to have been defective in normal use and service during the limited warranty period of one (1) year from the date of purchase by the original owner.
3. The PR500 Series or component is returned freight prepaid to Honeywell, either to its factory or to a Honeywell authorized service center, and is thereafter returned to the owner freight collect.
4. This limited warranty does not apply to (i) any PR500 Series or component found by Honeywell to have become defective as a result of any accident, alteration, misuse, abuse, or servicing with parts not approved by Honeywell; (ii) deterioration or aging of any component made of rubber or other elastomer since such components can be adversely affected by undue exposure to heat, sun, water, chemicals, ozone or other deteriorating elements; or (iii) facepiece lens, compressed-air cylinders and parts that become defective through normal use. The decision as to what constitutes normal use shall be made solely by HONEYWELL SAFETY PRODUCTS.
5. To maintain this limited warranty, the purchaser must perform maintenance and inspections as set forth in the product's Operating and Maintenance Instruction Manual which shall include prompt replacement or repair of defective parts, and replacement of parts according to the maintenance schedule as set forth in such instructions.

For more information

Visit our site www.sps.honeywell.com

Honeywell Industrial Safety

9680 Old Baires Rd
Fort Mill, SC 29707
1 (877) 841-2840
www.honeywell.com