

Weld-On Plate

Model: DH-AP-5/

Description

The weld-on plate is designed to be permanently welded to existing structures in locations of frequent work, or where use of a portable base is impractical. Compatible with all Miller DuraHoist fall-arrest masts and accessories.

Materials

General Construction:	Welded Steel
Weld Certification:	AWS-47.1
Material:	HR Plate and Bar
Finish:	Provided in bare steel for welding

Technical

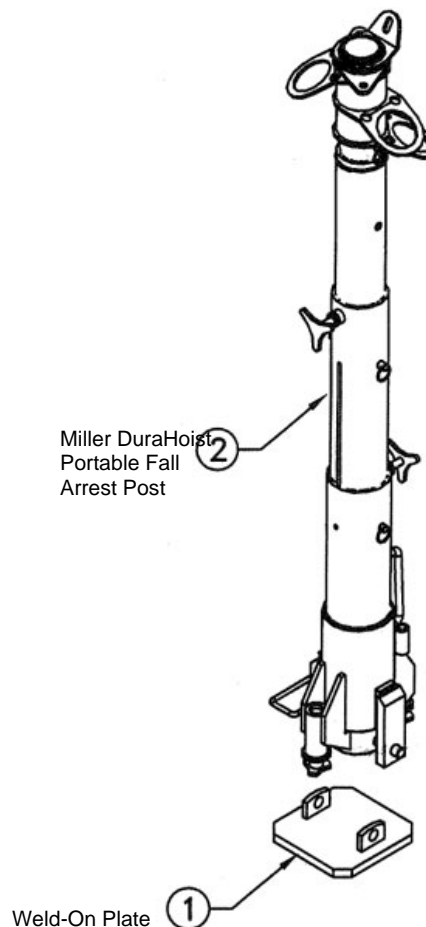
Proof Load Moment:	190,000 in-lbs (20.8 kN-m)
Weight	11.6lbs (5.2kg)

The plate is designed to support the loads required by all portable fall-arrest masts and accessories, when installed and used in accordance with the manufacturers instructions.

Mounting

Requirements

<u>DH-AP-1/ Portable Fall-Arrest Anchor Post</u>	
Moment Requirement:	190,000in-lbs (20.8 kN-m)
Vertical Load Requirement:	3100 lbs (13.8 kN)

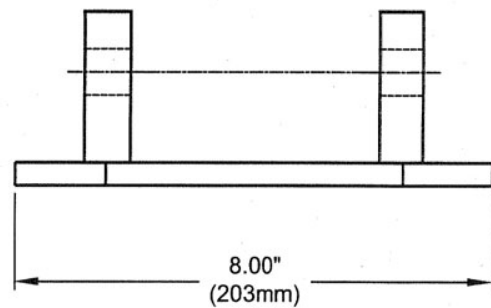
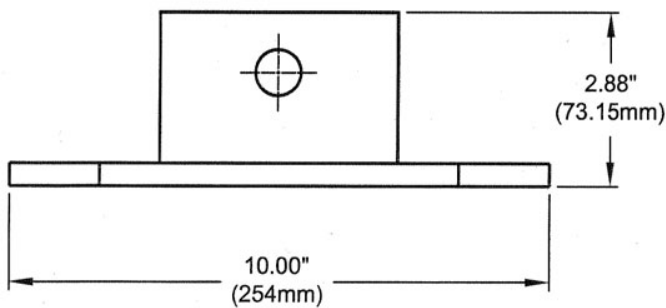
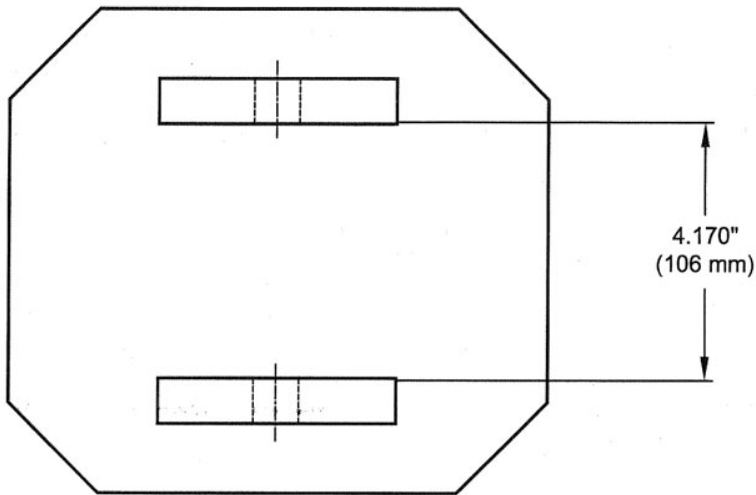


Application Restrictions

1. This product is designed for use with all Miller DuraHoist portable fall-arrest masts and accessories only.
2. Ratings, capacities and design factor may vary with system components and configurations. Consult specification sheets for all system components to ensure compliance with requirements.
3. Welding procedure must be approved by qualified personnel to be compatible with any and all structural and operational characteristics of the selected installation location.
4. Mounting surface must be within 15° of horizontal for Model DH-AP-1 and plate must be installed so that the portable fall-arrest mast can be leveled for use.
5. Each installation must be approved to local standards by a qualified engineer.

Weld-On Plate

Model: DH-AP-5/



by Honeywell

Toll Free 800.873.5242 (press 4) • hsptechsupport@honeywell.com • www.millerfallprotection.com

⚠ WARNING! THIS DOCUMENT PROVIDES AN OVERVIEW OF FALL PROTECTION PRODUCTS AVAILABLE FROM HONEYWELL AND CARE HAS BEEN TAKEN TO ASSURE THE ACCURACY OF THE DATA. IT DOES NOT PROVIDE IMPORTANT PRODUCT WARNINGS AND INSTRUCTIONS. HONEYWELL RECOMMENDS ALL USERS OF FALL PROTECTION EQUIPMENT UNDERGO THOROUGH TRAINING, AND THAT ALL WARNINGS AND INSTRUCTIONS PROVIDED WITH THE PRODUCTS BE THOROUGHLY READ AND UNDERSTOOD PRIOR TO EACH USE. FAILURE TO READ AND FOLLOW ALL PRODUCT WARNINGS AND INSTRUCTIONS COULD RESULT IN SERIOUS INJURY OR DEATH.