

# Plate for Inclined Surfaces w/ Tie-Off Anchor

Model: DH-AP-6/

## Description

The DH-AP-6 is designed to be permanently welded to existing structures in locations of frequent work, or where use of a portable base is impractical. It's compatible with all Miller DuraHoist portable fall-arrest masts and accessories. The weld-on plate permanently addresses your fall-arrest anchor point requirements.

## Materials

<b>General Construction:</b>	Welded Steel
<b>Weld Certification:</b>	AWS
<b>Material:</b>	H.R. Plate, Bar & Tube
<b>Finish:</b>	None

## Technical

<b>Proof Load Moment:</b>	190,000 in/lb (20.84 kN.m)
<b>Anchor Eye Proof Load:</b>	5,000lbs (22.2kN)
<b>Weight:</b>	24.0lbs (10.9kg)

The weld-on plate, when installed & used in accordance with the manufacturers' instructions, is designed to support the loads required by all portable fall-arrest masts and accessories.

## Mounting Requirements

### DH-AP-1/ Portable Fall-Arrest Anchor Post

<b>Moment Requirement:</b>	190,000in-lbs (20.8kN-m)
<b>Vertical Load Requirement:</b>	3,100lbs (13.8kN)

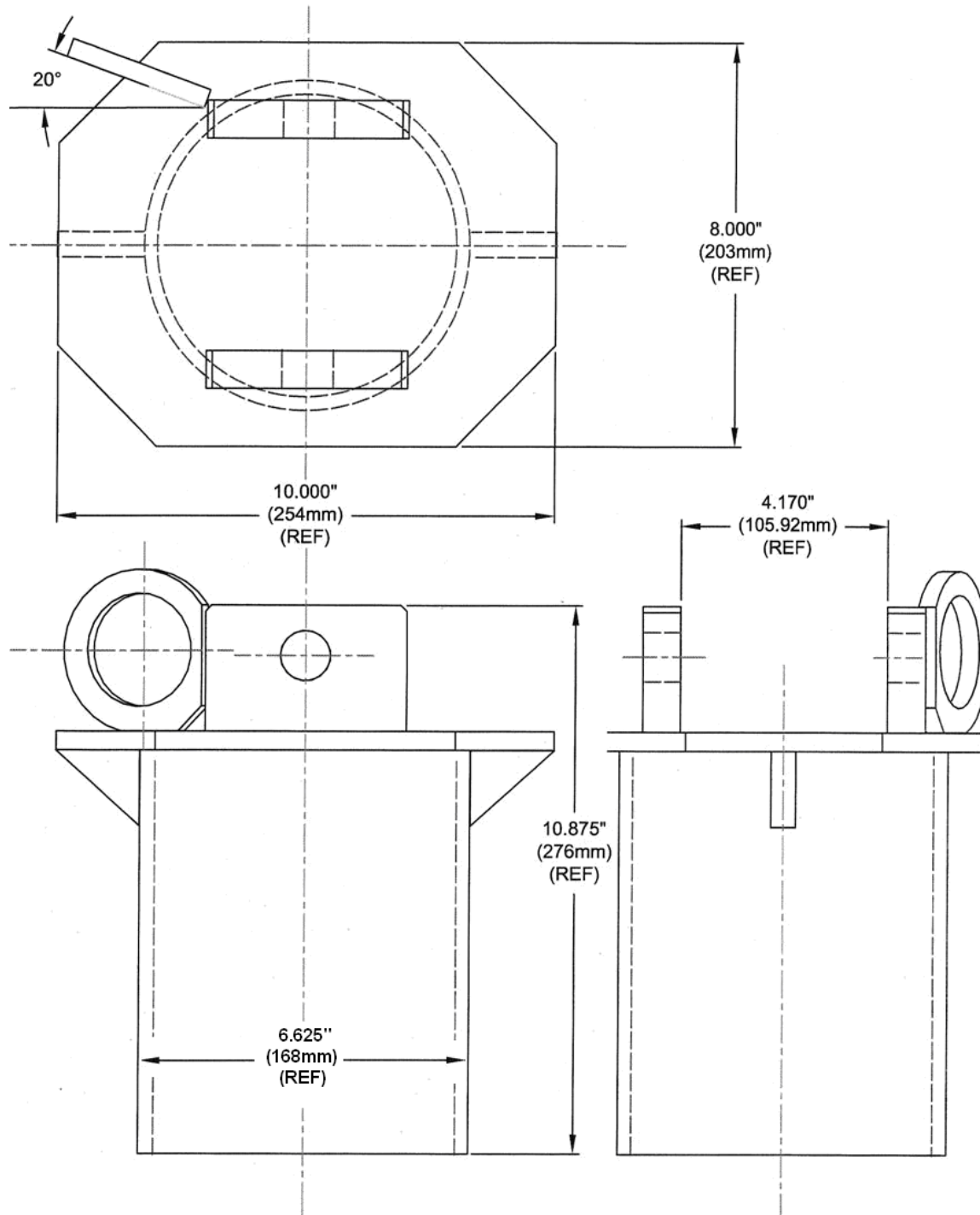


## Application Restrictions

1. This product is designed for use with all Miller DuraHoist portable fall-arrest masts & accessories only.
2. Ratings, capacities and design factor may vary with system components & configurations. See specification sheets for all system components before using to ensure compliance with requirements.
3. Welding procedure must be approved by qualified personnel to be compatible with any and all structural & operational characteristics of the selected installation location.
4. Mounting surface must be within 15° of horizontal for Model DH-AP-1 and plate must be installed so that the portable fall-arrest mast can be leveled for use.
5. Each installation must be approved to local standards by a qualified engineer.

# Plate for Inclined Surfaces w/ Tie-Off Anchor

Model: DH-AP-6/



# MILLER®

by Honeywell

Toll Free 800.873.5242 (press 4) • [hsptechsupport@honeywell.com](mailto:hsptechsupport@honeywell.com) • [www.millerfallprotection.com](http://www.millerfallprotection.com)

**WARNING!** THIS DOCUMENT PROVIDES AN OVERVIEW OF FALL PROTECTION PRODUCTS AVAILABLE FROM HONEYWELL AND CARE HAS BEEN TAKEN TO ASSURE THE ACCURACY OF THE DATA. IT DOES NOT PROVIDE IMPORTANT PRODUCT WARNINGS AND INSTRUCTIONS. HONEYWELL RECOMMENDS ALL USERS OF FALL PROTECTION EQUIPMENT UNDERGO THOROUGH TRAINING, AND THAT ALL WARNINGS AND INSTRUCTIONS PROVIDED WITH THE PRODUCTS BE THOROUGHLY READ AND UNDERSTOOD PRIOR TO EACH USE. FAILURE TO READ AND FOLLOW ALL PRODUCT WARNINGS AND INSTRUCTIONS COULD RESULT IN SERIOUS INJURY OR DEATH.